

PLEASE CHECK WWW.MOLEX.COM FOR LATEST PART INFORMATION

Part Number: [0089002103](#)
Status: **Active**
Description: Mounting Clip 100

Documents:
[Drawing \(PDF\)](#)

[RoHS Certificate of Compliance \(PDF\)](#)

General

Product Family	Accessories
Series	2589
Comments	Clip selection is based on clip type and tab angle. See sales drawing or contact Molex for explanation of clip differences
Component Type	Clip
Product Name	Range Receptacle

Physical

Circuits (Loaded)	N/A
Gender	N/A
Lock to Mating Part	Yes
Packaging Type	Bag

Material Info

Old Part Number	2589-23
-----------------	---------

Reference - Drawing Numbers

Sales Drawing	SD-2589-*
---------------	-----------

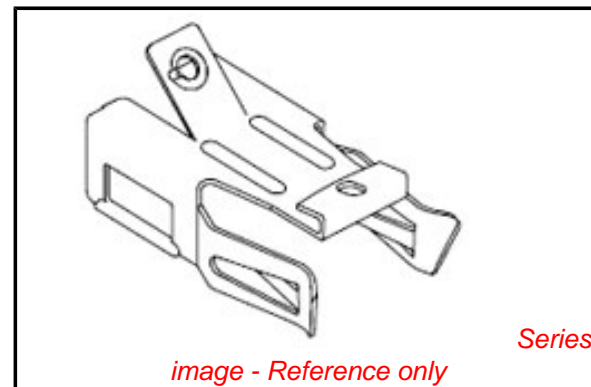


image - Reference only

EU RoHS

ELV and RoHS Compliant
REACH SVHC
Contains SVHC: No
Halogen-Free
Status
Not Reviewed

China RoHS



Need more information on product environmental compliance?

Email productcompliance@molex.com
 For a multiple part number RoHS Certificate of Compliance, [click here](#)

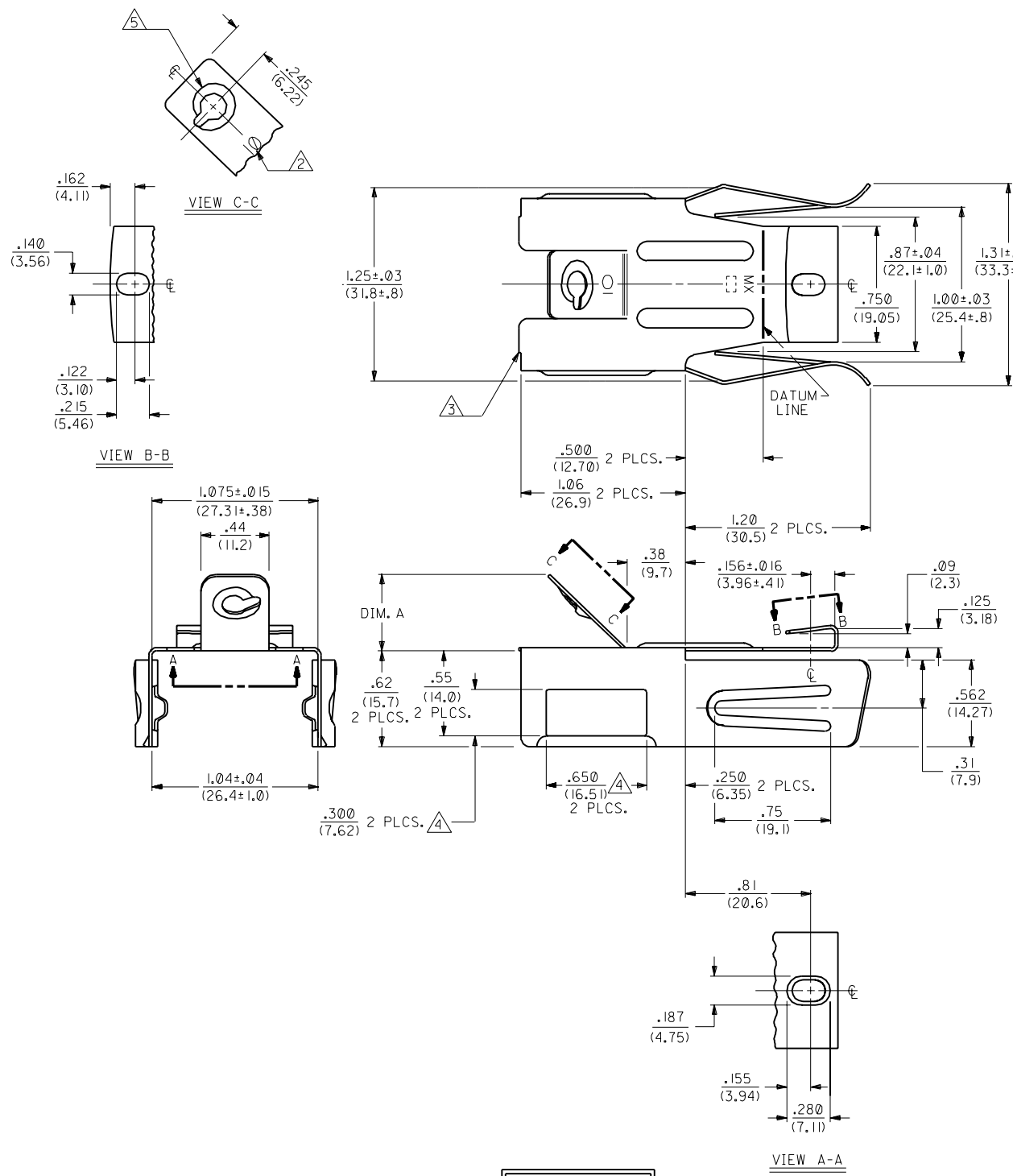
Please visit the [Contact Us](#) section for any non-product compliance questions.

Search Parts in this Series
[2589Series](#)

Use With
[2481 Phenolic Range Receptacle Housing](#)

NOTES:

- 1. THESE MOUNTING CLIPS ARE FOR HOLDING THE 2481 SERIES HOUSINGS TO THE MAIN PANEL TOPS OF ELECTRIC RANGES.
- △ SCREW SIZE INDICATION.
- △ .015/(.38) MAXIMUM CUT OFF.
- △ .010/(.25) MAXIMUM MISMATCH.
- △ THREAD FORM FOR A #10-32 SCREW.
- △ THIS SURFACE MAY BE FORMED IN THIS DIRECTION A MAXIMUM OF 5°.



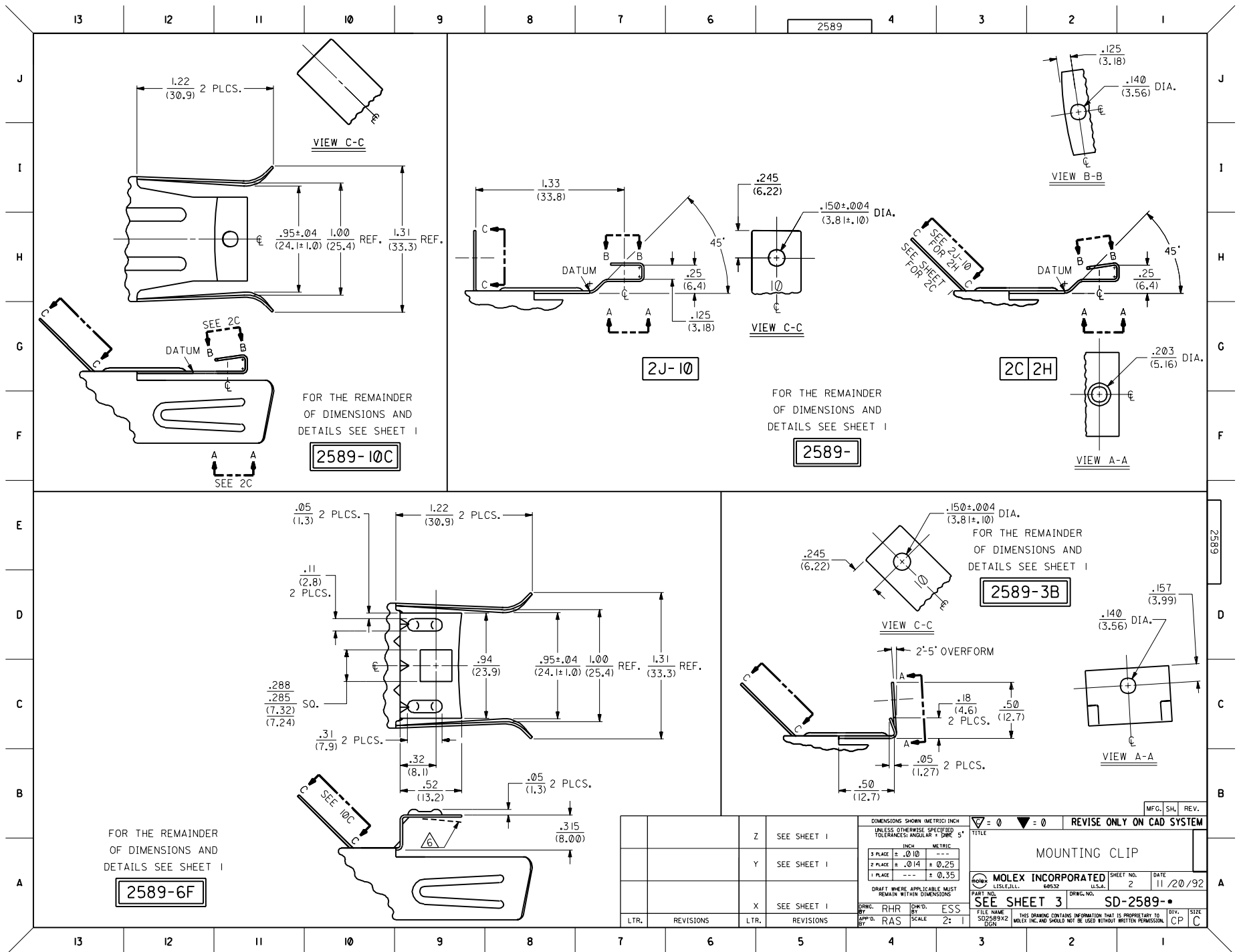
2589-ID-10

MATERIAL:

STEEL, STAINLESS, TYPE 301, .020/(.5) THICK.

AC	OBSOLETED P/N	UCR2002-0255	01/9/12	COMERCI
AB2	REMOVED NOTCH	UCR2000-0104	8/11/99	COMERCI
AB1	REV. RADII	UCR2000-0086	8/05/99	COMERCI
AB	REVISED	UCR 1999-0818	6/03/99	ELHAG
AA	REVISED	ECN U4 0744	6/16/94	RHR
Z	REVISED	ECN U4 0213	2/14/94	RHR
Y	REVISED	ECN U3 0739	5/13/93	RHR
X	REDRAWN & REDIM.	ECN U2 1712	11/25/92	RHR
I	AC			
2	Z			
3	AB			

DIMENSIONS SHOWN (METRIC) INCH		▽ = 0	▼ = 0	REVISE ONLY ON CAD SYSTEM															
UNLESS OTHERWISE SPECIFIED TOLERANCES ANGULAR ± DMS 5°		TITLE																	
MOUNTING CLIP		MFG. SH. REV. LTR. REVISIONS																	
<table border="1"> <tr> <th>INCH</th> <th>METRIC</th> </tr> <tr> <td>3 PLACE ± .010</td> <td>---</td> </tr> <tr> <td>2 PLACE ± .014</td> <td>± 0.25</td> </tr> <tr> <td>1 PLACE ---</td> <td>± 0.35</td> </tr> </table>		INCH	METRIC	3 PLACE ± .010	---	2 PLACE ± .014	± 0.25	1 PLACE ---	± 0.35	<table border="1"> <tr> <td>MOLEX INCORPORATED</td> <td>SHEET NO.</td> <td>DATE</td> </tr> <tr> <td>L15LEJLL 60532</td> <td>U.S.A.</td> <td>1 of 3 11/20/92</td> </tr> </table>				MOLEX INCORPORATED	SHEET NO.	DATE	L15LEJLL 60532	U.S.A.	1 of 3 11/20/92
INCH	METRIC																		
3 PLACE ± .010	---																		
2 PLACE ± .014	± 0.25																		
1 PLACE ---	± 0.35																		
MOLEX INCORPORATED	SHEET NO.	DATE																	
L15LEJLL 60532	U.S.A.	1 of 3 11/20/92																	
DRAFT WHERE APPLICABLE MUST REMAIN WITHIN DIMENSIONS		PART NO. DRWG. NO.																	
SEE SHEET 3		SD-2589-*																	
DRWG. BY RHR	CHK'D. BY ESS	FILE NAME SD2589X1		DIV. CP															
APP'D. BY RAS	SCALE 2: 1	THIS DRAWING CONTAINS INFORMATION THAT IS PROPRIETARY TO MOLEX INC. AND SHOULD NOT BE USED WITHOUT WRITTEN PERMISSION.		SIZE															



DIMENSIONS SHOWN (METRIC) INCH		UNLESS OTHERWISE SPECIFIED TOLERANCES: ANGULAR ± .005°	
3 PLACE	±	INCH	METRIC
2 PLACE	±	.014	± 0.25
1 PLACE	---	± 0.35	---

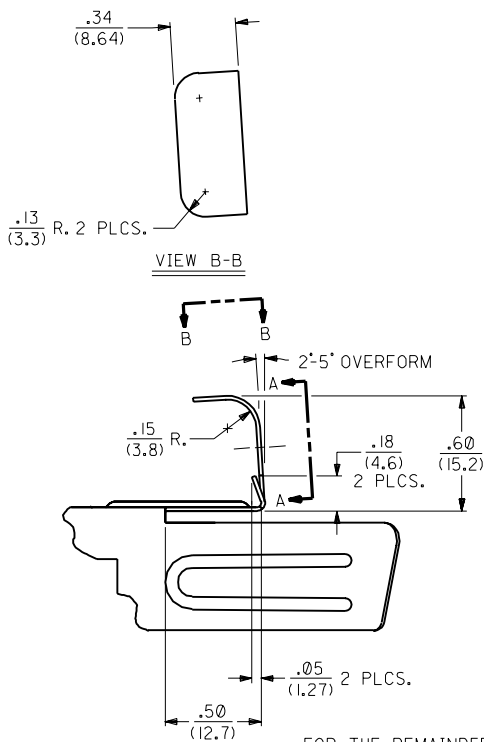
DRAFT WHERE APPLICABLE MUST REMAIN WITHIN DIMENSIONS

DRWG. BY: RHR	CHK'D. BY: ESS
APP'D. BY: RAS	SCALE: 2:1

MFG.	SH.	REV.

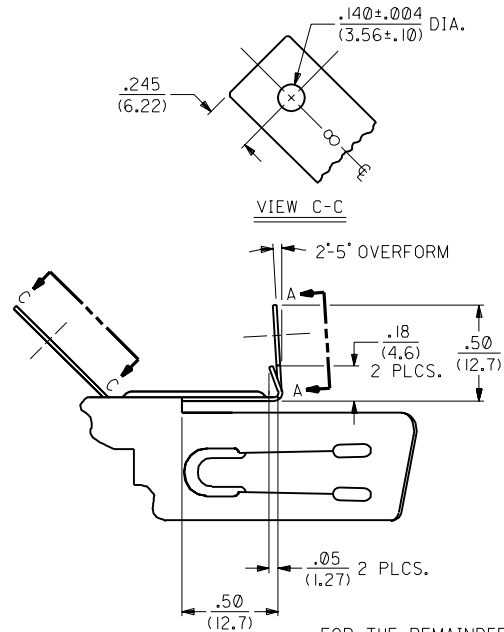
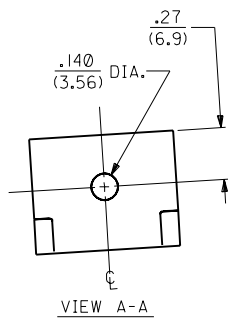
TITLE		REVISE ONLY ON CAD SYSTEM	
MOUNTING CLIP			
MOLEX INCORPORATED	SHEET NO. 2	DATE	11/20/92
LITTLEVILLE, U.S.A.	69532		
PART NO. SD2589X2	SEE SHEET 3	DRWG. NO.	SD-2589-*
FILE NAME: SD2589X2 DGN		DIV.	SIZE
		CP	C

PART NO.	ENG. NO.	DIMENSION	
		A	
089-00-2006	2589-ID-10	.48±.025 (12.2±.64)	
089-00-2022	2589-2C	.53±.025 (13.5±.64)	
089-00-2025	2589-2H	.656±.025 (16.66±.64)	
089-00-2027	2589-2J-10	.562±.025 (14.27±.64)	
089-00-2041	2589-3B	.48±.025 (12.2±.64)	
089-00-2047	2589-6F	.375±.015 (9.53±.38)	
089-00-2100	2589-10C	.48±.025 (12.2±.64)	
089-00-2101	2589-21A	.62±.025 (15.7±.64)	OBSOLETE
089-00-2103	2589-23	.62±.025 (15.7±.64)	



FOR THE REMAINDER
OF DIMENSIONS AND
DETAILS SEE SHEET I

2589-23



FOR THE REMAINDER
OF DIMENSIONS AND
DETAILS SEE SHEET I

2589-21A **OBSOLETE**

LTR.		REVISIONS		LTR.		REVISIONS	
		AA	SEE SHEET I				
		Z	SEE SHEET I				
AB	SEE SHEET I	X	SEE SHEET I				
LTR.	REVISIONS	LTR.	REVISIONS				

DIMENSIONS SHOWN (METRIC) INCH UNLESS OTHERWISE SPECIFIED TOLERANCES: ANGULAR ± 5°		▽ = 0	▼ = 0	REVISE ONLY ON CAD SYSTEM												
<table border="1"> <thead> <tr> <th></th> <th>INCH</th> <th>METRIC</th> </tr> </thead> <tbody> <tr> <td>3 PLACE</td> <td>± .010</td> <td>---</td> </tr> <tr> <td>2 PLACE</td> <td>± .014</td> <td>± 0.25</td> </tr> <tr> <td>1 PLACE</td> <td>---</td> <td>± 0.35</td> </tr> </tbody> </table>			INCH	METRIC	3 PLACE	± .010	---	2 PLACE	± .014	± 0.25	1 PLACE	---	± 0.35	TITLE		
	INCH	METRIC														
3 PLACE	± .010	---														
2 PLACE	± .014	± 0.25														
1 PLACE	---	± 0.35														
DRAWN: RHR		CHK'D: ESS		MOUNTING CLIP												
APP'D: RAS		SCALE: 2: 1														
PART NO. SD2589X3		DRWG. NO. SD-2589-*		SEE CHART												
FILE NAME: SD2589X3.DGN		DATE: 2/24/93		SHEET NO. 3												
MFG. SH. REV.		U.S.A.		THIS DRAWING CONTAINS INFORMATION THAT IS PROPRIETARY TO MOLEX INC. AND SHOULD NOT BE USED WITHOUT WRITTEN PERMISSION.												
CP		CP		SIZE: C												