

PLEASE CHECK WWW.MOLEX.COM FOR LATEST PART INFORMATION

Part Number: [0089002100](#)
Status: **Active**
Description: Mounting Clip 100

Documents:
[Drawing \(PDF\)](#)

[RoHS Certificate of Compliance \(PDF\)](#)

General

Product Family	Accessories
Series	2589
Comments	Clip selection is based on clip type and tab angle. See sales drawing or contact Molex for explanation of clip differences
Component Type	Clip
Product Name	Range Receptacle

Physical

Circuits (Loaded)	N/A
Gender	N/A
Lock to Mating Part	Yes
Packaging Type	Bag

Material Info

Old Part Number	2589-10C
-----------------	----------

Reference - Drawing Numbers

Sales Drawing	SD-2589-*
---------------	-----------

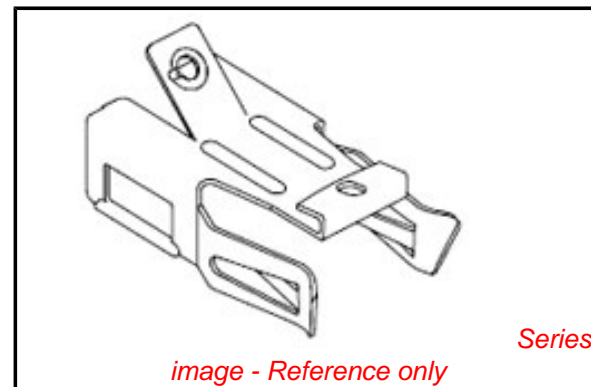


image - Reference only

EU RoHS

**ELV and RoHS
Compliant**
**REACH SVHC
Not Reviewed**
**Halogen-Free
Status
Not Reviewed**

China RoHS



**Need more information on product
environmental compliance?**

Email productcompliance@molex.com
 For a multiple part number RoHS Certificate of Compliance, [click here](#)

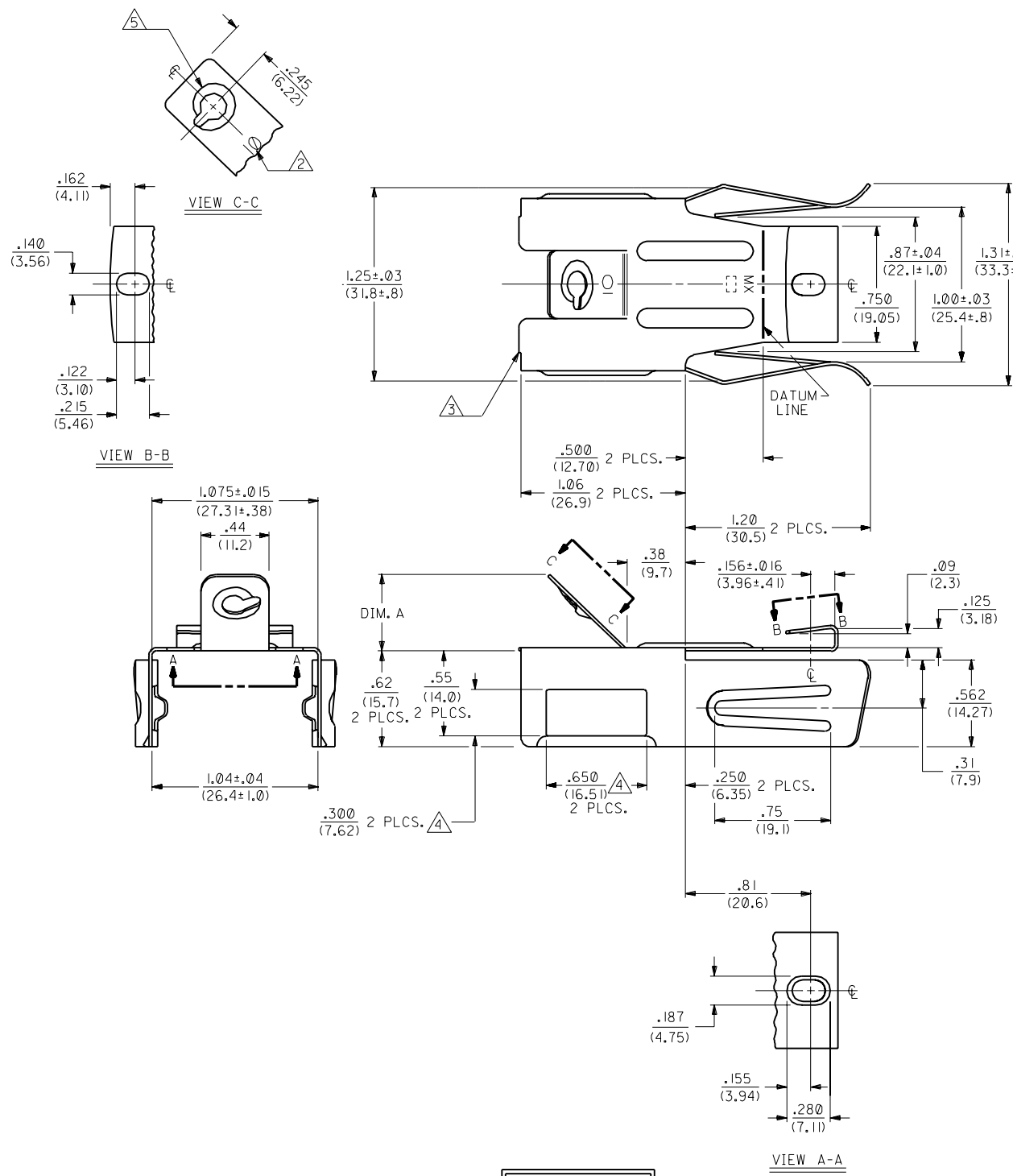
Please visit the [Contact Us](#) section for any non-product compliance questions.

Search Parts in this Series
[2589Series](#)

Use With
[2481 Phenolic Range Receptacle Housing](#)

NOTES:

- 1. THESE MOUNTING CLIPS ARE FOR HOLDING THE 2481 SERIES HOUSINGS TO THE MAIN PANEL TOPS OF ELECTRIC RANGES.
- ③ .015/(.38) MAXIMUM CUT OFF.
- ④ .010/(.25) MAXIMUM MISMATCH.
- ⑤ THREAD FORM FOR A #10-32 SCREW.
- ⑥ THIS SURFACE MAY BE FORMED IN THIS DIRECTION A MAXIMUM OF 5°.



MATERIAL:

STEEL, STAINLESS, TYPE 301, .020/(.5) THICK.

AC	OBSOLETED P/N UCR2002-0255 01/9/12 COMERCI
AB2	REMOVED NOTCH UCR2000-0104 8/11/99 COMERCI
AB1	REV. RADII UCR2000-0086 8/05/99 COMERCI
AB	REVISED UCR 1999-0818 6/03/99 ELHAG
AA	REVISED ECN U4 0744 6/16/94 RHR
Z	REVISED ECN U4 0213 2/14/94 RHR
Y	REVISED ECN U3 0739 5/13/93 RHR
X	REDRAWN & REDIM. ECN U2 1712 11/25/92 RHR

3	AB
2	Z
1	AC

DIMENSIONS SHOWN (METRIC) INCH
UNLESS OTHERWISE SPECIFIED
TOLERANCES ANGULAR ± DBC 5°

3 PLACE ± .010	---
2 PLACE ± .014	± 0.25
1 PLACE ---	± 0.35

DRAFT WHERE APPLICABLE MUST REMAIN WITHIN DIMENSIONS

DRWG. BY: RHR CHK'D BY: ESS
APP'D BY: RAS SCALE: 2: 1

FILE NAME: SD2589X1
MOLX INC. AND SHOULD NOT BE USED WITHOUT WRITTEN PERMISSION

PART NO. SD-2589-1
DRWG. NO. SD-2589-*

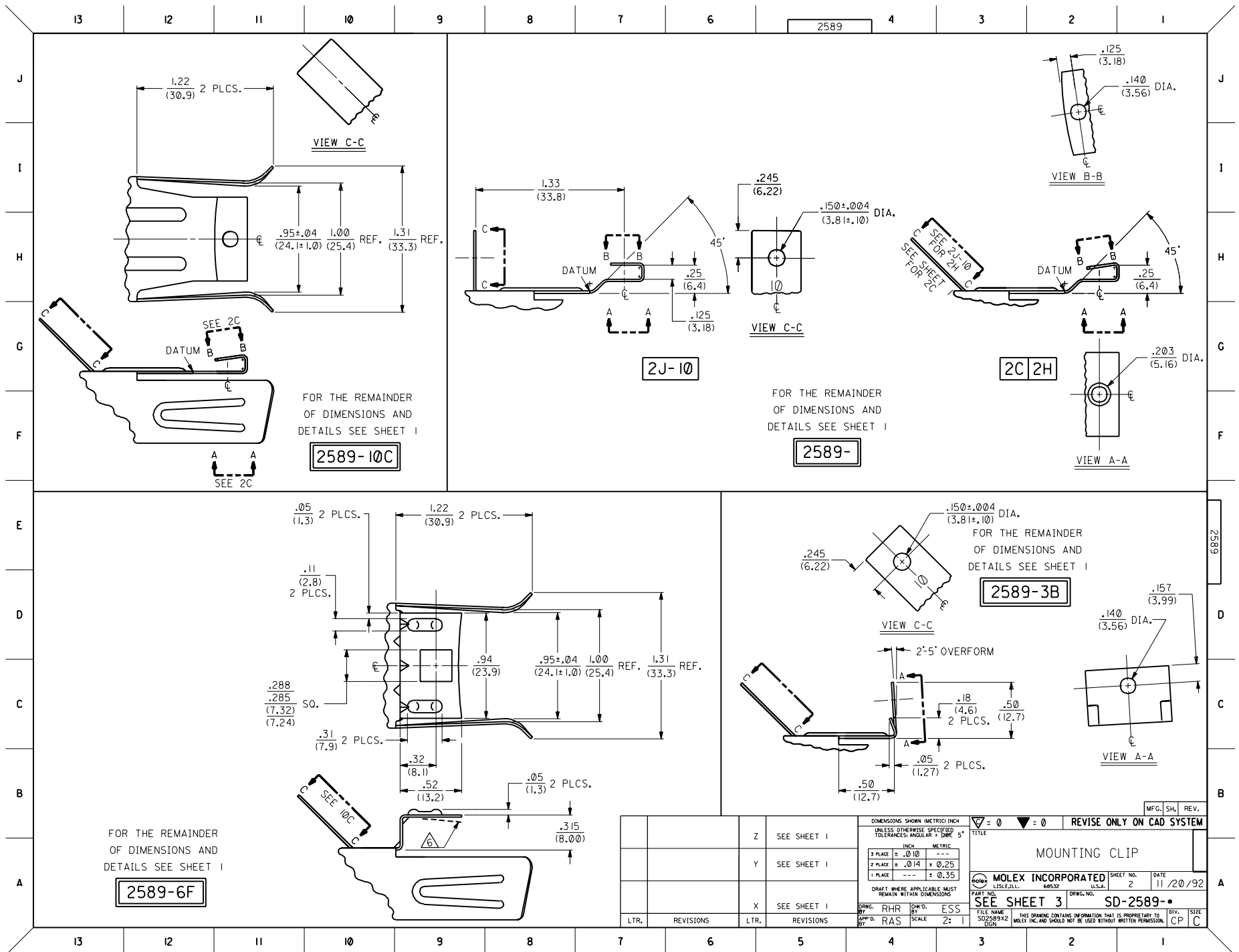
SHEET NO. 1 of 3
DATE 11/20/92

TITLE: MOUNTING CLIP

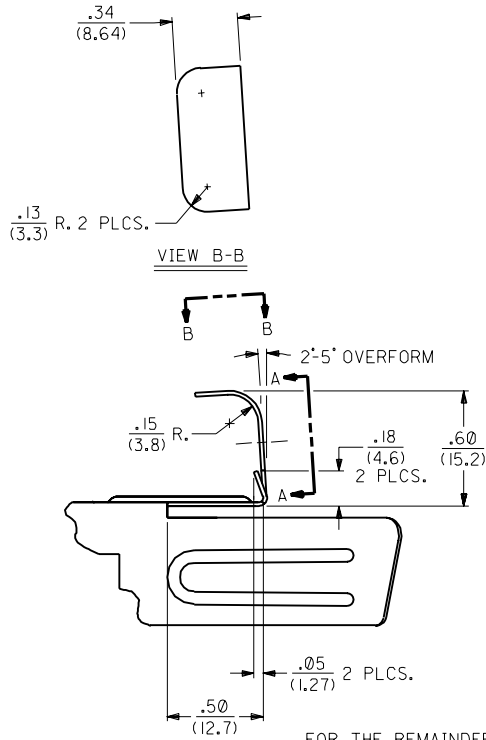
MOLEX INCORPORATED
1151E.ILL. 60532 U.S.A.

NO P.S.

2589-ID-10

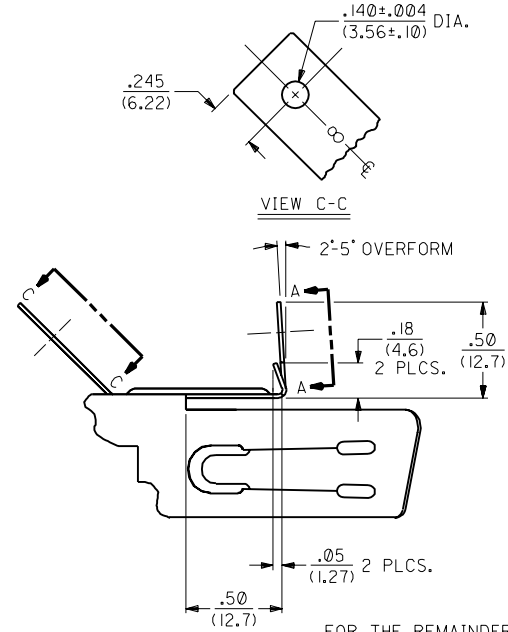
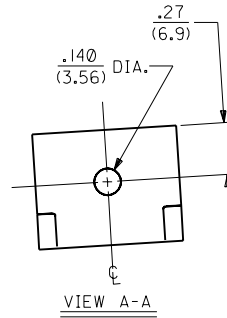


PART NO.	ENG. NO.	DIMENSION	
		A	
089-00-2006	2589-ID-10	.48±.025 (12.2±.64)	
089-00-2022	2589-2C	.53±.025 (13.5±.64)	
089-00-2025	2589-2H	.656±.025 (16.66±.64)	
089-00-2027	2589-2J-10	.562±.025 (14.27±.64)	
089-00-2041	2589-3B	.48±.025 (12.2±.64)	
089-00-2047	2589-6F	.375±.015 (9.53±.38)	
089-00-2100	2589-10C	.48±.025 (12.2±.64)	
089-00-2101	2589-21A	.62±.025 (15.7±.64)	OBSOLETE
089-00-2103	2589-23	.62±.025 (15.7±.64)	



FOR THE REMAINDER
OF DIMENSIONS AND
DETAILS SEE SHEET I

2589-23



FOR THE REMAINDER
OF DIMENSIONS AND
DETAILS SEE SHEET I

2589-21A **OBSOLETE**

LTR.		REVISIONS		LTR.		REVISIONS	
		AA	SEE SHEET I				
		Z	SEE SHEET I				
AB	SEE SHEET I	X	SEE SHEET I				

DIMENSIONS SHOWN (METRIC) INCH UNLESS OTHERWISE SPECIFIED TOLERANCES: ANGULAR ± 5°		▽ = 0 ▼ = 0		REVISE ONLY ON CAD SYSTEM													
<table border="1"> <thead> <tr> <th></th> <th>INCH</th> <th>METRIC</th> </tr> </thead> <tbody> <tr> <td>3 PLACE</td> <td>± .010</td> <td>---</td> </tr> <tr> <td>2 PLACE</td> <td>± .014</td> <td>± 0.25</td> </tr> <tr> <td>1 PLACE</td> <td>---</td> <td>± 0.35</td> </tr> </tbody> </table>			INCH	METRIC	3 PLACE	± .010	---	2 PLACE	± .014	± 0.25	1 PLACE	---	± 0.35	TITLE		MOUNTING CLIP	
	INCH	METRIC															
3 PLACE	± .010	---															
2 PLACE	± .014	± 0.25															
1 PLACE	---	± 0.35															
DRAWN BY: RHR		CHK'D BY: ESS		MFG. SH. REV.													
APP'D BY: RAS		SCALE: 2: 1		MOLX INCORPORATED													
				SHEET NO. 3													
				DATE 2/24/93													
				U.S.A.													
				PART NO. SD-2589-*													
				DRWG. NO.													
				FILE NAME SD2589X3													
				DIV. CP													
				SIZE C													

MFG. SH. REV.

REVISE ONLY ON CAD SYSTEM

MOUNTING CLIP

MOLX INCORPORATED SHEET NO. 3 DATE 2/24/93

SEE CHART SD-2589-*

THIS DRAWING CONTAINS INFORMATION THAT IS PROPRIETARY TO MOLEX INC. AND SHOULD NOT BE USED WITHOUT WRITTEN PERMISSION.