

**KMM372F320(8)0BS1 EDO Mode**

32M x 72 DRAM DIMM with ECC Using 16Mx4, 4K & 8K Refresh, 3.3V

**GENERAL DESCRIPTION**

The Samsung KMM372F320(8)0B1 is a 32Mx72bits Dynamic RAM high density memory module. The Samsung KMM372F320(8)0B1 consists of thirty-six CMOS 16Mx4bits DRAMs in TSOP 400mil packages and two 16 bits driver IC in TSSOP package mounted on a 168-pin glass-epoxy substrate. A 0.1 or 0.22uF decoupling capacitor is mounted on the printed circuit board for each DRAM. The KMM372F320(8)0B1 is a Dual In-line Memory Module and is intended for mounting into 168 pin edge connector sockets.

**PERFORMANCE RANGE**

Speed	t <sub>TRAC</sub>	t <sub>CAC</sub>	t <sub>RC</sub>	t <sub>HFC</sub>
-5	50ns	18ns	84ns	20ns
-6	60ns	20ns	104ns	25ns

**FEATURES**

- Part Identification

Part number	PKG	Ref.	CBR Ref.	ROR Ref.
KMM372F3200BS1	TSOP	4K	4K/64ms	
KMM372F3280BS1	TSOP	8K	4K/64ms	8K/64ms

- Extended Data Out Mode Operation
- $\overline{\text{CAS}}$ -before- $\overline{\text{RAS}}$  Refresh capability
- $\overline{\text{RAS}}$ -only and Hidden refresh capability
- LVTTTL compatible inputs and outputs
- Single 3.3V±0.3V power supply
- JEDEC standard pinout & Buffered PDpin
- Buffered input except  $\overline{\text{RAS}}$  and DQ
- PCB : Height(2100mil), double sided component

**PIN CONFIGURATIONS**

Pin	Front	Pin	Front	Pin	Front	Pin	Back	Pin	Back	Pin	Back
1	V <sub>ss</sub>	29	*CAS2	57	DQ22	85	V <sub>ss</sub>	113	*CAS3	141	DQ58
2	DQ0	30	$\overline{\text{RAS0}}$	58	DQ23	86	DQ36	114	$\overline{\text{RAS1}}$	142	DQ59
3	DQ1	31	$\overline{\text{OE0}}$	59	V <sub>cc</sub>	87	DQ37	115	RFU	143	V <sub>cc</sub>
4	DQ2	32	V <sub>ss</sub>	60	DQ24	88	DQ38	116	V <sub>ss</sub>	144	DQ60
5	DQ3	33	A0	61	RFU	89	DQ39	117	A1	145	RFU
6	V <sub>cc</sub>	34	A2	62	RFU	90	V <sub>cc</sub>	118	A3	146	RFU
7	DQ4	35	A4	63	RFU	91	DQ40	119	A5	147	RFU
8	DQ5	36	A6	64	RFU	92	DQ41	120	A7	148	RFU
9	DQ6	37	A8	65	DQ25	93	DQ42	121	A9	149	DQ61
10	DQ7	38	A10	66	DQ26	94	DQ43	122	A11	150	DQ62
11	DQ8	39	A12	67	DQ27	95	DQ44	123	*A13	151	DQ63
12	V <sub>ss</sub>	40	V <sub>cc</sub>	68	V <sub>ss</sub>	96	V <sub>ss</sub>	124	V <sub>cc</sub>	152	V <sub>ss</sub>
13	DQ9	41	RFU	69	DQ28	97	DQ45	125	RFU	153	DQ64
14	DQ10	42	RFU	70	DQ29	98	DQ46	126	B0	154	DQ65
15	DQ11	43	V <sub>ss</sub>	71	DQ30	99	DQ47	127	V <sub>ss</sub>	155	DQ66
16	DQ12	44	$\overline{\text{OE2}}$	72	DQ31	100	DQ48	128	RFU	156	DQ67
17	DQ13	45	$\overline{\text{RAS2}}$	73	V <sub>cc</sub>	101	DQ49	129	$\overline{\text{RAS3}}$	157	V <sub>cc</sub>
18	V <sub>cc</sub>	46	$\overline{\text{CAS4}}$	74	DQ32	102	V <sub>cc</sub>	130	$\overline{\text{CAS5}}$	158	DQ68
19	DQ14	47	*CAS6	75	DQ33	103	DQ50	131	*CAS7	159	DQ69
20	DQ15	48	WZ	76	DQ34	104	DQ51	132	PDE	160	DQ70
21	DQ16	49	V <sub>cc</sub>	77	DQ35	105	DQ52	133	V <sub>cc</sub>	161	DQ71
22	DQ17	50	RSVD	78	V <sub>ss</sub>	106	DQ53	134	RSVD	162	V <sub>ss</sub>
23	V <sub>ss</sub>	51	RSVD	79	PD1	107	V <sub>ss</sub>	135	RSVD	163	PD2
24	RSVD	52	DQ18	80	PD3	108	RSVD	136	DQ54	164	PD4
25	RSVD	53	DQ19	81	PD5	109	RSVD	137	DQ55	165	PD6
26	V <sub>cc</sub>	54	V <sub>ss</sub>	82	PD7	110	V <sub>cc</sub>	138	V <sub>ss</sub>	166	PD8
27	WZ	55	DQ20	83	ID0	111	RFU	139	DQ56	167	ID1
28	CAS0	56	DQ21	84	V <sub>cc</sub>	112	CAS1	140	DQ57	168	V <sub>cc</sub>

NOTE : A12 is used for only KMM372F3280BS1 (8K Ref.)

PD Note : PD & ID Terminals must each be pulled up through a register to V<sub>cc</sub> at the next higher level assembly. PDs will be either open (NC) or driven to V<sub>ss</sub> via on-board buffer circuits.  
ID Note : IDs will be either open (NC) or connected directly to V<sub>ss</sub> without a buffer.

**PIN NAMES**

Pin Names	Function
A0, B0, A1 - A11	Address Input(4K ref)
A0, B0, A1 - A12	Address Input(8K ref)
DQ0 - DQ71	Data In/Out
WZ, WZ	Read/Write Enable
$\overline{\text{OE0}}, \overline{\text{OE2}}$	Output Enable
$\overline{\text{RAS0}} - \overline{\text{RAS3}}$	Row Address Strobe
CAS0, 1,4,5	Column Address Strobe
V <sub>cc</sub>	Power(+3.3V)
V <sub>ss</sub>	Ground
NC	No Connection
PDE	Presence Detect Enable
PD1 - 8	Presence Detect
ID0 - 1	ID bit
RSVD	Reserved Use
RFU	Reserved for Future Use

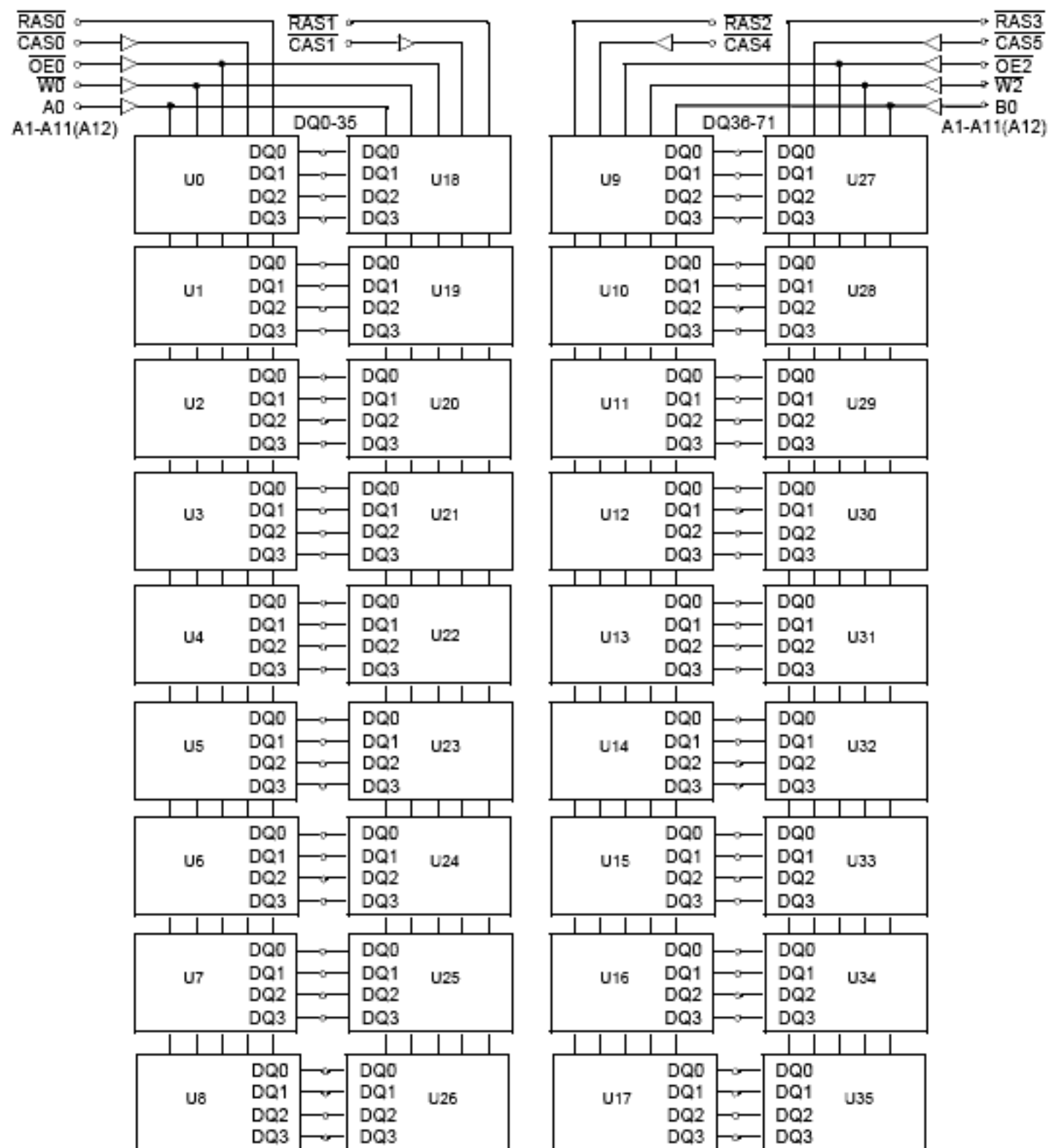
Pins marked "\*" are not used in this module.

**PD & ID Table**

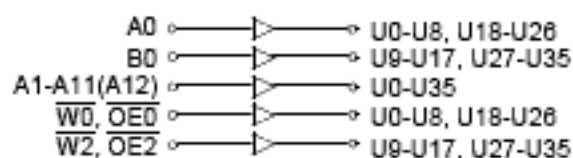
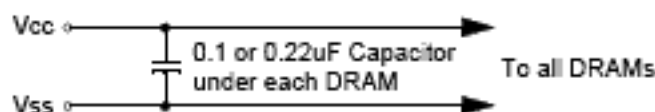
Pin	50NS	60NS
PD1	1	1
PD2	0	0
PD3	0	0
PD4	0	0
PD5	1	1
PD6	0	1
PD7	0	1
PD8	0	0
ID0	0	0
ID1	0	0

PD : 0 for Vol of Drive IC & 1 for N.C  
ID : 0 for V<sub>ss</sub> & 1 for N.C

## FUNCTIONAL BLOCK DIAGRAM



NOTE : A12 is used for only KMM372F3280BS1(8K Ref.)



## ABSOLUTE MAXIMUM RATINGS \*

Item	Symbol	Rating	Unit
Voltage on any pin relative Vss	V <sub>IN</sub> , V <sub>OUT</sub>	-0.5 to +4.6	V
Voltage on Vcc supply relative to Vss	V <sub>CC</sub>	-0.5 to +4.6	V
Storage Temperature	T <sub>stg</sub>	-55 to +125	°C
Power Dissipation	P <sub>D</sub>	36	W
Short Circuit Output Current	I <sub>OS</sub>	50	mA

\* Permanent device damage may occur if ABSOLUTE MAXIMUM RATINGS are exceeded. Functional operation should be restricted to the conditions as detailed in the operational sections of this data sheet. Exposure to absolute maximum rating conditions for intended periods may affect device reliability.

## RECOMMENDED OPERATING CONDITIONS (Voltage referenced to Vss, TA = 0 to 70°C)

Item	Symbol	Min	Typ	Max	Unit
Supply Voltage	V <sub>CC</sub>	3.0	3.3	3.6	V
Ground	V <sub>SS</sub>	0	0	0	V
Input High Voltage	V <sub>IH</sub>	2.0	-	V <sub>CC</sub> +0.3 <sup>*1</sup>	V
Input Low Voltage	V <sub>IL</sub>	-0.3 <sup>*2</sup>	-	0.8	V

\*1 : V<sub>CC</sub>+1.3V at pulse width≤15ns, which is measured at V<sub>CC</sub>.

\*2 : -1.3V at pulse width≤15ns, which is measured at V<sub>SS</sub>.

## DC AND OPERATING CHARACTERISTICS (Recommended operating conditions unless otherwise noted)

Symbol	Speed	KMM372F3200BS1		KMM372F3280BS1		Unit
		Min	Max	Min	Max	
I <sub>CC1</sub>	-5	-	2260	-	1720	mA
	-6	-	2080	-	1540	mA
I <sub>CC2</sub>	Don't care	-	100	-	100	mA
I <sub>CC3</sub>	-5	-	2260	-	1720	mA
	-6	-	2080	-	1540	mA
I <sub>CC4</sub>	-5	-	1360	-	1180	mA
	-6	-	1180	-	1000	mA
I <sub>CC5</sub>	Don't care	-	30	-	30	mA
I <sub>CC6</sub>	-5	-	2260	-	1720	mA
	-6	-	2080	-	1540	mA
I <sub>I(L)</sub>	Don't care	-10	10	-10	10	uA
I <sub>O(L)</sub>		-10	10	-10	10	uA
V <sub>OH</sub>	Don't care	2.4	-	2.4	-	V
V <sub>OL</sub>		-	0.4	-	0.4	V

I<sub>CC1</sub>\* : Operating Current \* ( $\overline{RAS}$ ,  $\overline{CAS}$ , Address cycling @trc=min)

I<sub>CC2</sub> : Standby Current ( $\overline{RAS}=\overline{CAS}=\overline{W}=V_{IH}$ )

I<sub>CC3</sub>\* :  $\overline{RAS}$  Only Refresh Current \* ( $\overline{CAS}=V_{IH}$ ,  $\overline{RAS}$  cycling @trc=min)

I<sub>CC4</sub>\* : Extended Data Out Mode Current \* ( $\overline{RAS}=V_{IL}$ ,  $\overline{CAS}$  cycling : tHPC=min)

I<sub>CC5</sub> : Standby Current ( $\overline{RAS}=\overline{CAS}=\overline{W}=V_{CC}-0.2V$ )

I<sub>CC6</sub>\* :  $\overline{CAS}$ -Before- $\overline{RAS}$  Refresh Current \* ( $\overline{RAS}$  and  $\overline{CAS}$  cycling @trc=min)

I<sub>I(L)</sub> : Input Leakage Current (Any input  $0 \leq V_{IN} \leq V_{CC}+0.3V$ , all other pins not under test=0 V)

I<sub>O(L)</sub> : Output Leakage Current(Data Out is disabled,  $0V \leq V_{OUT} \leq V_{CC}$ )

V<sub>OH</sub> : Output High Voltage Level (I<sub>OH</sub> = -2mA)

V<sub>OL</sub> : Output Low Voltage Level (I<sub>OL</sub> = 2mA)

\* **NOTE** : I<sub>CC1</sub>, I<sub>CC3</sub>, I<sub>CC4</sub> and I<sub>CC6</sub> are dependent on output loading and cycle rates. Specified values are obtained with the output open. I<sub>CC</sub> is specified as an average current. In I<sub>CC1</sub> and I<sub>CC3</sub>, address can be changed maximum once while  $\overline{RAS}=V_{IL}$ . In I<sub>CC4</sub>, address can be changed maximum once within one EDO mode cycle time, tHPC.

## CAPACITANCE (TA = 25°C, f = 1MHz)

Item	Symbol	Min	Max	Unit
Input capacitance[A0, B0, A1 - A12]	CIN1	-	20	pF
Input capacitance[W0, W2, OE0, OE2]	CIN2	-	20	pF
Input capacitance[RAS0 - RAS3]	CIN3	-	73	pF
Input capacitance[CAS0, 1,4,5]	CIN4	-	20	pF
Input/Output capacitance[DQ0 - 71]	CDQ	-	24	pF

## AC CHARACTERISTICS (0°C ≤ TA ≤ 70°C, VCC = 3.3V ± 0.3V. See notes 1,2.)

Test condition : VIH/VIIL=2.2/0.7V, VOH/VOIL=2.0/0.8V, output loading CL=100pF

Parameter	Symbol	-5		-6		Unit	Note
		Min	Max	Min	Max		
Random read or write cycle time	tRC	84		104		ns	
Read-modify-write cycle time	tRWC	128		153		ns	
Access time from $\overline{\text{RAS}}$	tRAC		50		60	ns	3,4,10
Access time from $\overline{\text{CAS}}$	tCAC		18		20	ns	3,4,5,13
Access time from column address	tAA		30		35	ns	3,10,13
$\overline{\text{CAS}}$ to output in Low-Z	tCLZ	8		8		ns	3,13
$\overline{\text{OE}}$ to output in Low-Z	tOLZ	8		8		ns	3,13
Output buffer turn-off delay from $\overline{\text{CAS}}$	tCEZ	8	18	8	18	ns	6,11,13
Transition time(rise and fall)	tT	1	50	1	50	ns	2
$\overline{\text{RAS}}$ precharge time	tRP	30		40		ns	
$\overline{\text{RAS}}$ pulse width	tRAS	50	10K	60	10K	ns	
$\overline{\text{RAS}}$ hold time	tRSH	13		15		ns	13
$\overline{\text{CAS}}$ hold time	tCSH	36		38		ns	13
$\overline{\text{CAS}}$ pulse width	tCAS	8	10K	10	10K	ns	
$\overline{\text{RAS}}$ to $\overline{\text{CAS}}$ delay time	tRCD	15	32	18	40	ns	4,13
$\overline{\text{RAS}}$ to column address delay time	tRAD	10	20	13	25	ns	10,13
$\overline{\text{CAS}}$ to $\overline{\text{RAS}}$ precharge time	tCRP	10		10		ns	13
Row address set-up time	tASR	5		5		ns	13
Row address hold time	tRAH	5		8		ns	13
Column address set-up time	tASC	0		0		ns	
Column address hold time	tCAH	7		10		ns	
Column address to $\overline{\text{RAS}}$ lead time	tRAL	30		35		ns	13
Read command set-up time	tRCS	0		0		ns	
Read command hold referenced to $\overline{\text{CAS}}$	tRCH	0		0		ns	8
Read command hold referenced to $\overline{\text{RAS}}$	tRRH	-2		-2		ns	8,13
Write command set-up time	tWCS	0		0		ns	7
Write command hold time	tWCH	7		10		ns	
Write command pulse width	tWP	7		10		ns	
Write command to $\overline{\text{RAS}}$ lead time	tRWL	13		15		ns	13
Write command to $\overline{\text{CAS}}$ lead time	tCWL	7		10		ns	
Data set-up time	tDS	-2		-2		ns	9,13
Data hold time	tDH	13		15		ns	9,13
Refresh period(4K & 8K)	tREF		64		64	ms	
$\overline{\text{CAS}}$ to $\overline{\text{W}}$ delay time	tCWD	33		38		ns	7
$\overline{\text{RAS}}$ to $\overline{\text{W}}$ delay time	tRWD	68		82		ns	7,13

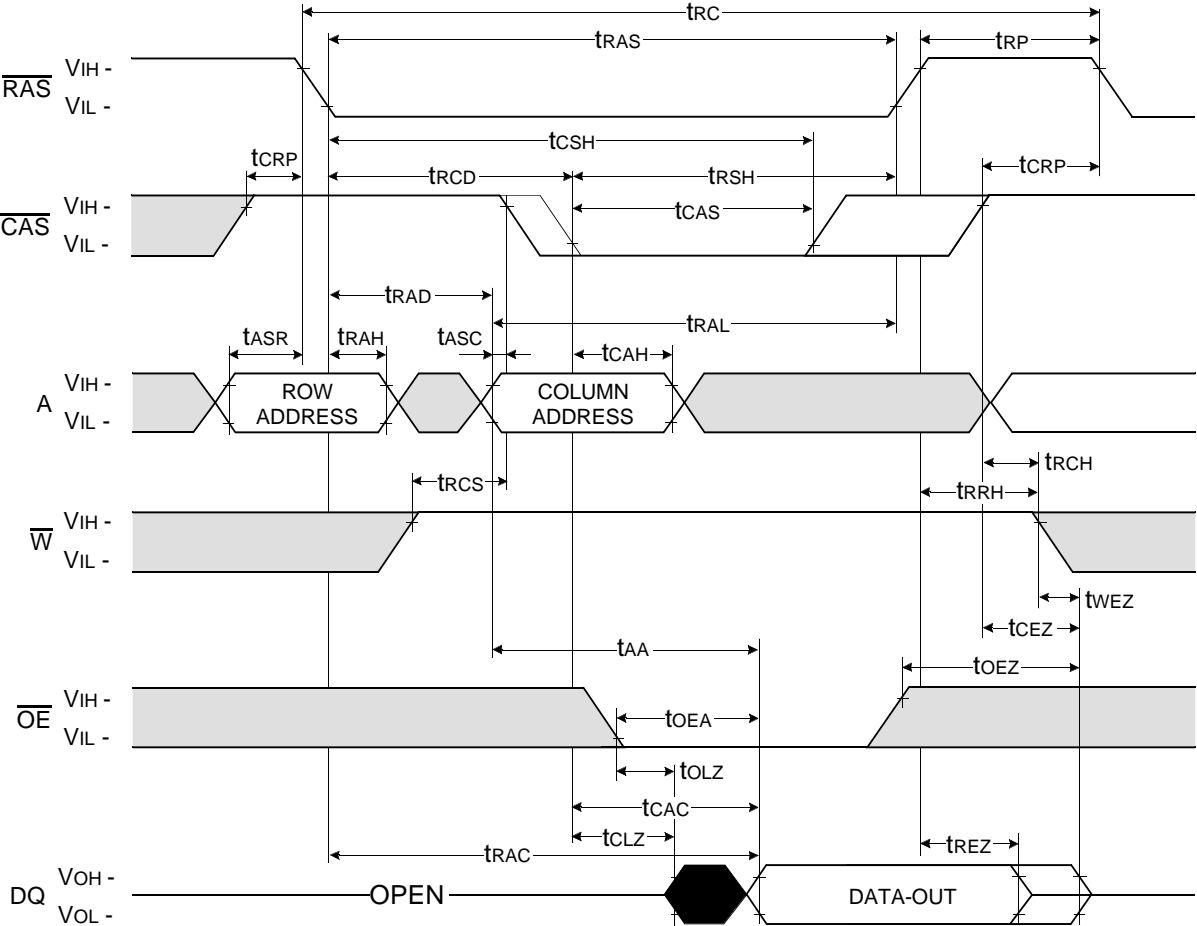
AC CHARACTERISTICS (0°C≤T<sub>A</sub>≤70°C, V<sub>CC</sub>=3.3V±0.3V. See notes 1,2.)

Parameter	Symbol	-5		-6		Unit	Note
		Min	Max	Min	Max		
Column address to $\overline{W}$ delay time	tAWD	45		53		ns	7
$\overline{CAS}$ precharge time to $\overline{W}$ delay time	tCPWD	47		58		ns	
$\overline{CAS}$ setup time( $\overline{CAS}$ -before- $\overline{RAS}$ refresh)	tCSR	10		10		ns	13
$\overline{CAS}$ hold time( $\overline{CAS}$ -before- $\overline{RAS}$ refresh)	tCHR	8		8		ns	13
$\overline{RAS}$ to $\overline{CAS}$ precharge time	tRPC	3		3		ns	13
Access time from $\overline{CAS}$ precharge	tCPA		33		40	ns	3,13
Hyper page cycle time	tHPC	20		25		ns	12
Hyper page read-modify-write cycle time	tHPRWC	70		77		ns	12
$\overline{CAS}$ precharge time(Hyper page cycle)	tCP	7		10		ns	
$\overline{RAS}$ pulse width (Hyper page cycle)	tRASP	50	200K	60	200K	ns	
$\overline{RAS}$ hold time from $\overline{CAS}$ precharge	tRHCP	35		40		ns	13
$\overline{W}$ to $\overline{RAS}$ precharge time(C-B-R refresh)	tWRP	15		15		ns	13
$\overline{W}$ to $\overline{RAS}$ hold time(C-B-R refresh)	tWRH	8		8		ns	13
$\overline{OE}$ access time	tOEA		18		20	ns	13
$\overline{OE}$ to data delay	tOED	15		18		ns	13
Output buffer turn off delay time from $\overline{OE}$	tOEZ	8	18	8	18	ns	13
$\overline{OE}$ command hold time	tOEH	5		5		ns	
Output data hold time( $\overline{C}$ -B- $\overline{R}$ refresh)	tDOH	10		10		ns	13
Output buffer turn off delay time from $\overline{RAS}$	tREZ	3	13	3	13	ns	6,11
Output buffer turn off delay time from $\overline{W}$	tWEZ	8	18	8	18	ns	6,13
$\overline{W}$ to data delay	tWED	20		20		ns	13
$\overline{OE}$ to $\overline{CAS}$ hold time	tOCH	5		5		ns	
$\overline{CAS}$ hold time to $\overline{OE}$	tCHO	5		5		ns	
$\overline{OE}$ precharge time	tOEP	5		5		ns	
$\overline{W}$ pulse width (Hyper page cycle)	tWPE	5		5		ns	
<b>Present Detect Read Cycle</b>							
$\overline{PDE}$ to Valid PD bit	tPD		10		10	ns	
$\overline{PDE}$ to PD bit Inactive	tPDOFF	2	7	2	7	ns	

## NOTES

1. An initial pause of 200us is required after power-up followed by any 8  $\overline{\text{RAS}}$ -only or  $\overline{\text{CAS}}$ -before- $\overline{\text{RAS}}$  refresh cycles before proper device operation is achieved.
2. Input voltage levels are  $V_{ih}/V_{il}$ .  $V_{IH}(\text{min})$  and  $V_{IL}(\text{max})$  are reference levels for measuring timing of input signals. Transition times are measured between  $V_{IH}(\text{min})$  and  $V_{IL}(\text{max})$  and are assumed to be 5ns for all inputs.
3. Measured with a load equivalent to 1 TTL loads and 100pF.
4. Operation within the  $t_{\text{RCD}}(\text{max})$  limit insures that  $t_{\text{RAC}}(\text{max})$  can be met.  $t_{\text{RCD}}(\text{max})$  is specified as a reference point only. If  $t_{\text{RCD}}$  is greater than the specified  $t_{\text{RCD}}(\text{max})$  limit, then access time is controlled exclusively by  $t_{\text{CAC}}$ .
5. Assumes that  $t_{\text{RCD}} \geq t_{\text{RCD}}(\text{max})$ .
6. This parameter defines the time at which the output achieves the open circuit condition and is not referenced to  $V_{OH}$  or  $V_{OL}$ .
7.  $t_{\text{WCS}}$ ,  $t_{\text{RWD}}$ ,  $t_{\text{CWD}}$ ,  $t_{\text{AWD}}$  and  $t_{\text{CPWD}}$  are not restrictive operating parameter. They are included in the data sheet as electrical characteristics only. If  $t_{\text{WCS}} \geq t_{\text{WCS}}(\text{min})$  the cycle is an early write cycle and the data out pin will remain high impedance for the duration of the cycle. If  $t_{\text{RWD}} \geq t_{\text{RWD}}(\text{min})$ ,  $t_{\text{CWD}} \geq t_{\text{CWD}}(\text{min})$ ,  $t_{\text{AWD}} \geq t_{\text{AWD}}(\text{min})$  and  $t_{\text{CPWD}} \geq t_{\text{CPWD}}(\text{min})$ . The cycle is a read-modify-write cycle and the data out will contain data read from the selected cell. If neither of the above sets of conditions is satisfied, the condition of data out(at access time) is indeterminate.
8. Either  $t_{\text{RCH}}$  or  $t_{\text{RRH}}$  must be satisfied for a read cycle.
9. These parameters are referenced to the  $\overline{\text{CAS}}$  leading edge in early write cycles.
10. Operation within the  $t_{\text{RAD}}(\text{max})$  limit insures that  $t_{\text{RAC}}(\text{max})$  can be met.  $t_{\text{RAD}}(\text{max})$  is specified as reference point only. If  $t_{\text{RAD}}$  is greater than the specified  $t_{\text{RAD}}(\text{max})$  limit, then access time is controlled by  $t_{\text{AA}}$ .
11. If  $\overline{\text{RAS}}$  goes high before  $\overline{\text{CAS}}$  high going, the open circuit condition of the output is achieved by  $\overline{\text{CAS}}$  high going. If  $\overline{\text{CAS}}$  goes high before  $\overline{\text{RAS}}$  high going, the open circuit condition of the output is achieved by  $\overline{\text{RAS}}$  going.
12.  $t_{\text{ASC}} \geq 6\text{ns}$ .
13. The timing skew from the DRAM to the DIMM resulted from the addition of buffers.

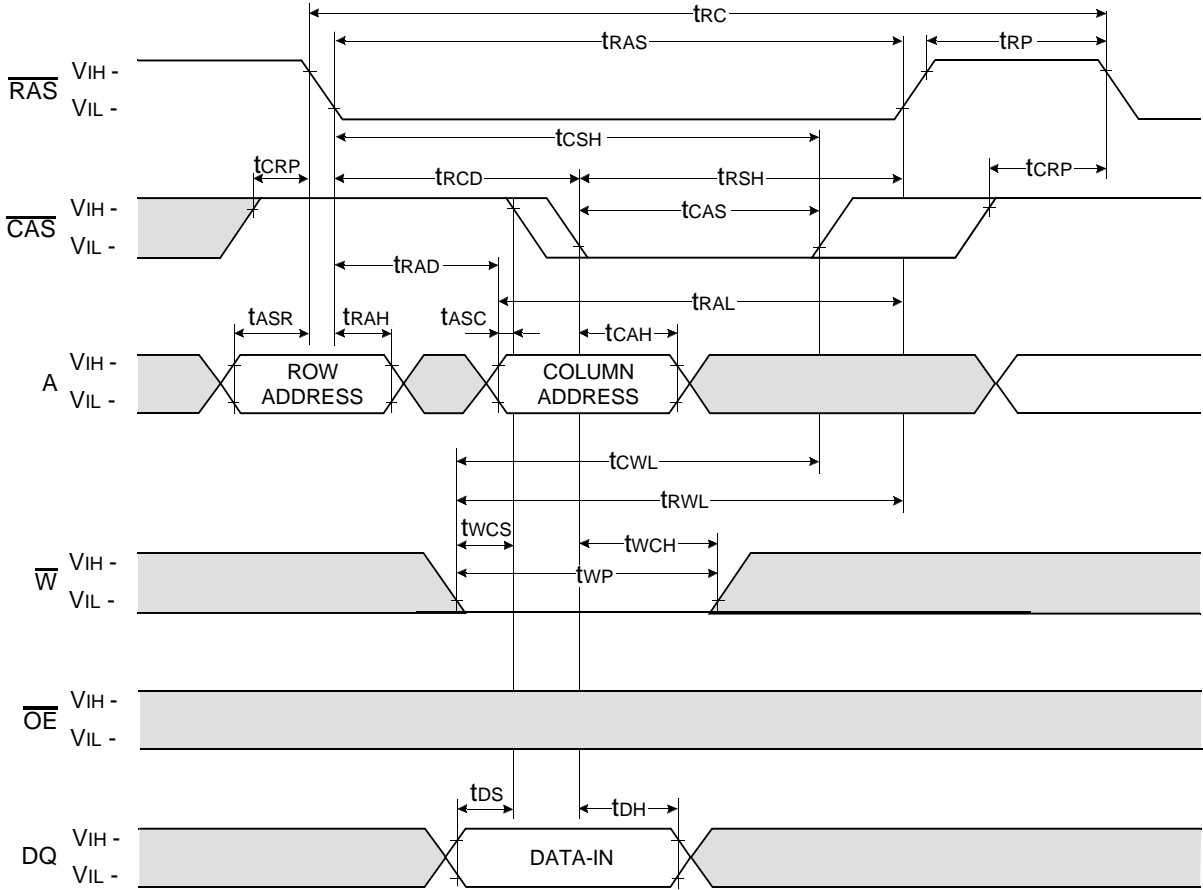
READ CYCLE



- Don't care
- Undefined

WRITE CYCLE ( EARLY WRITE )

NOTE : DOUT = OPEN

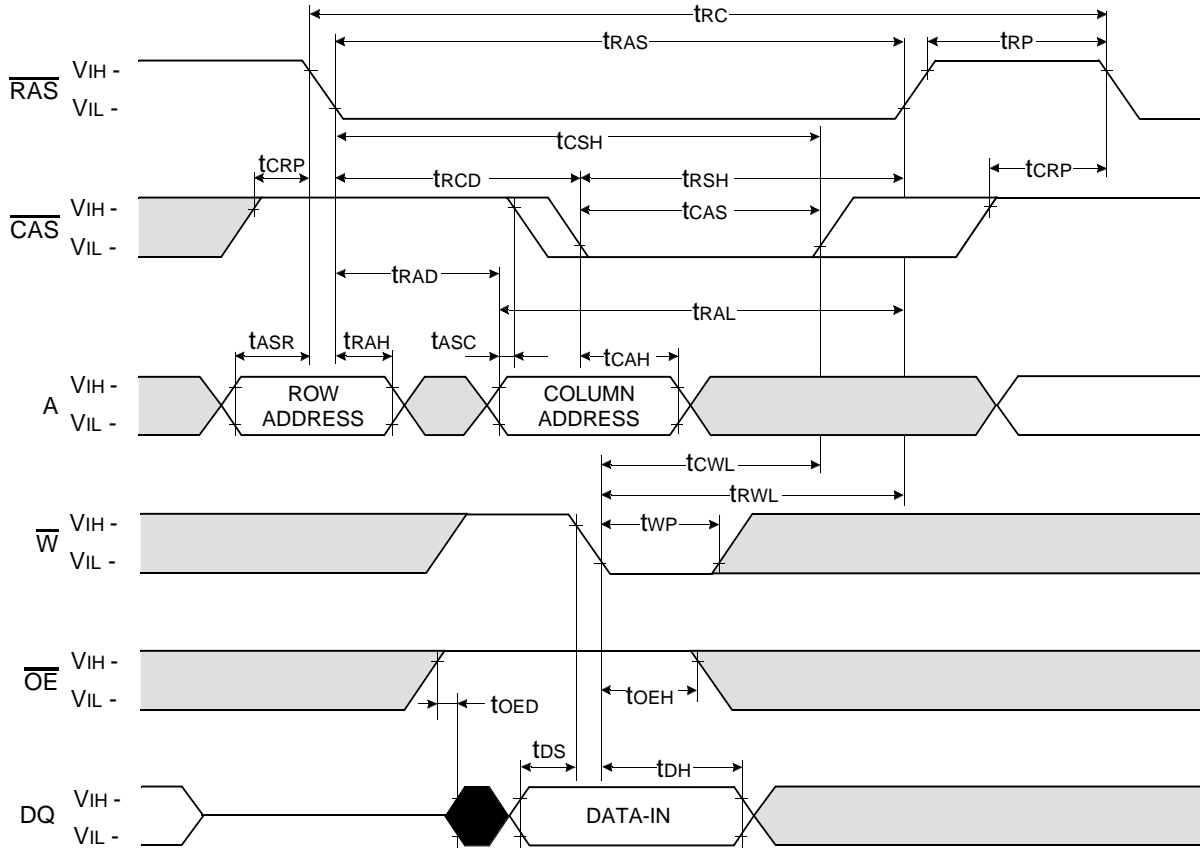


□ Don't care  
■ Undefined



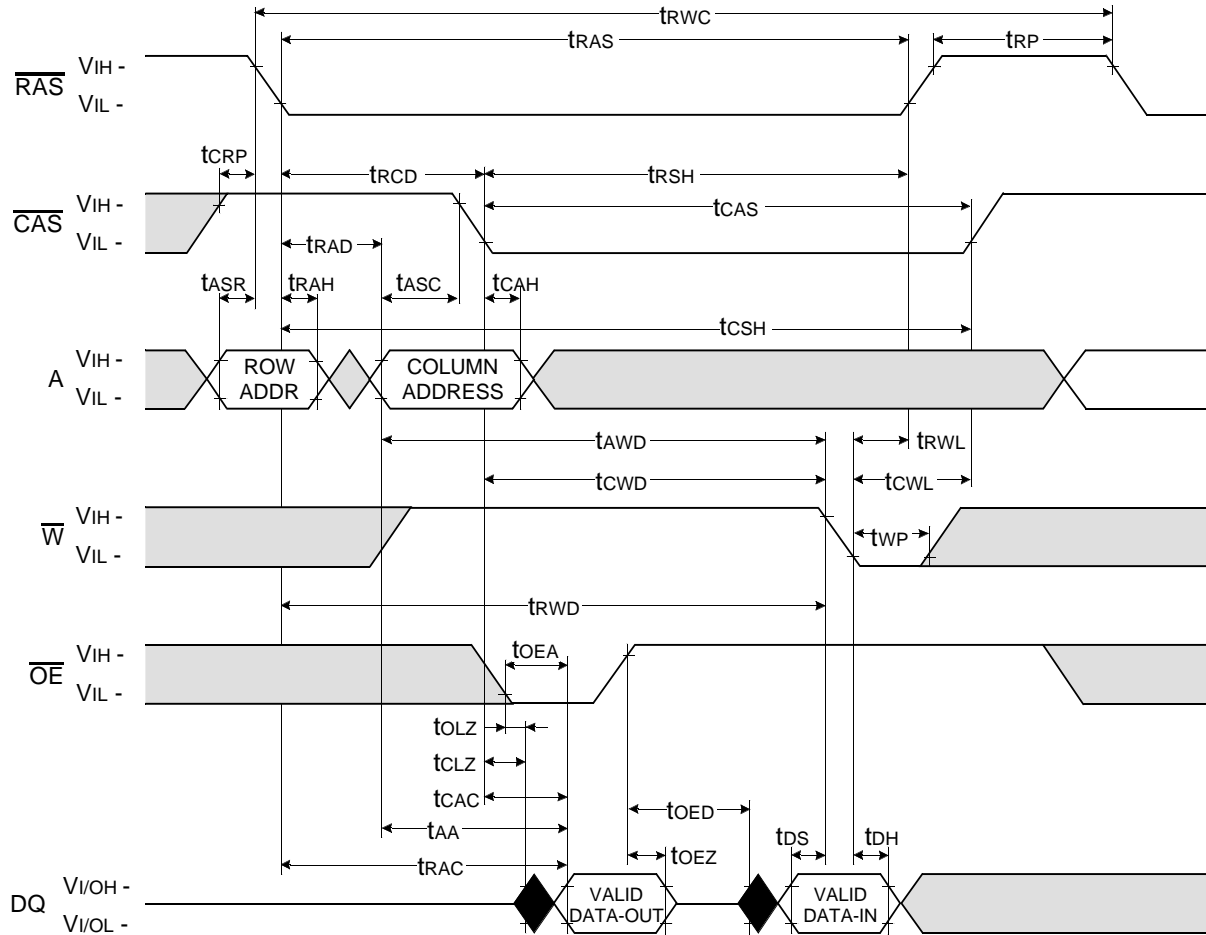
WRITE CYCLE (  $\overline{OE}$  CONTROLLED WRITE )

NOTE : DOUT = OPEN



□ Don't care  
■ Undefined

READ - MODIFY - WRITE CYCLE

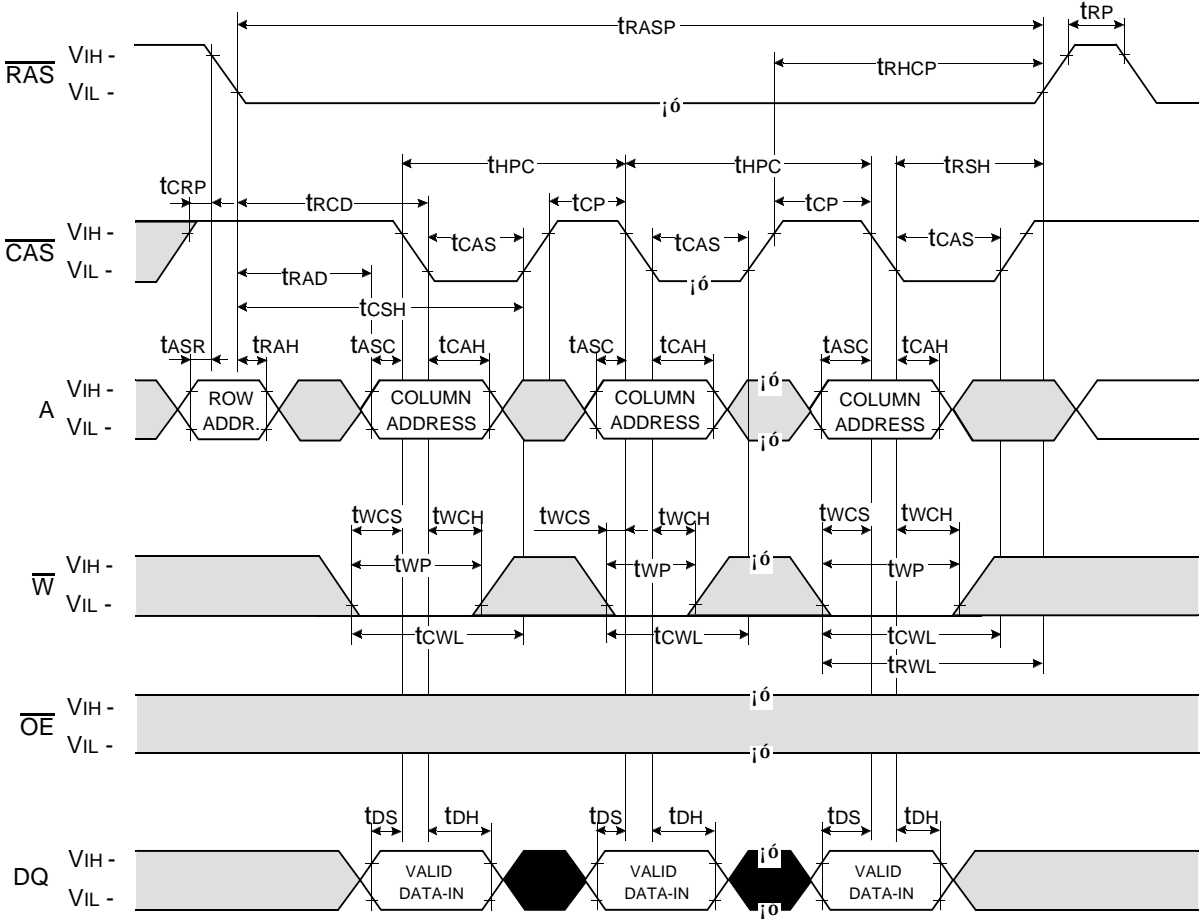


Don't care  
 Undefined



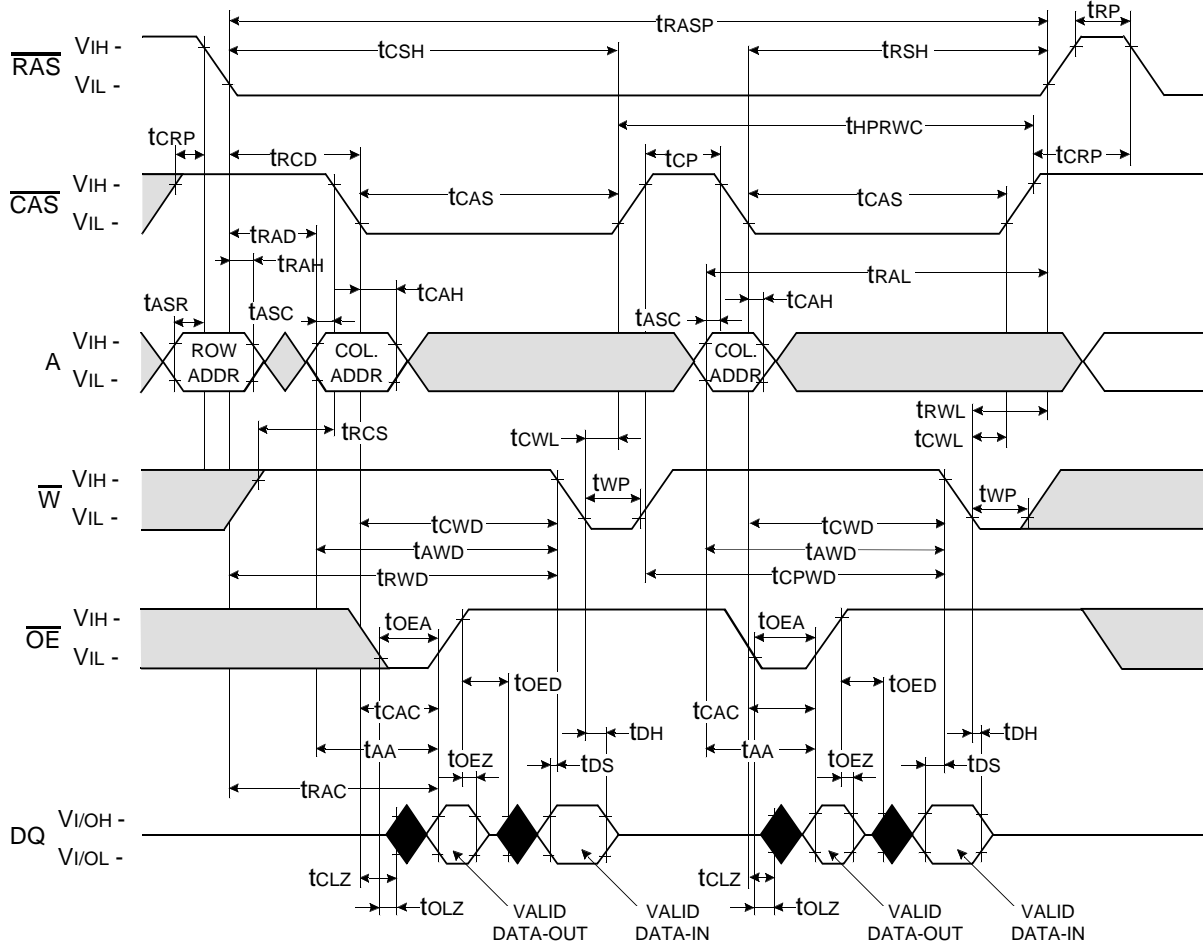
HYPER PAGE WRITE CYCLE ( EARLY WRITE )

NOTE : DOUT = OPEN



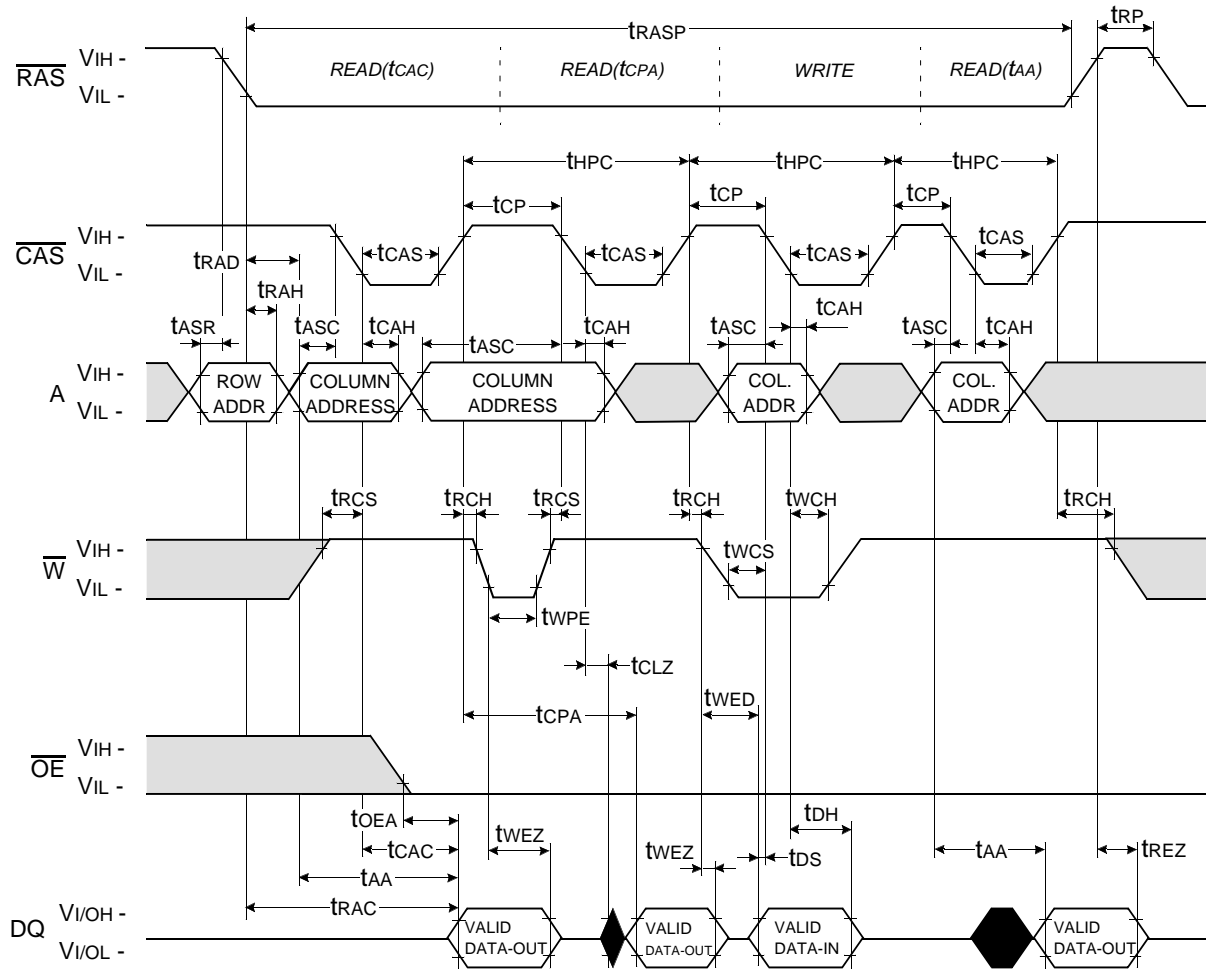
□ Don't care  
■ Undefined

HYPER PAGE READ-MODIFY-WRITE CYCLE



□ Don't care  
■ Undefined

HYPER PAGE READ AND WRITE MIXED CYCLE

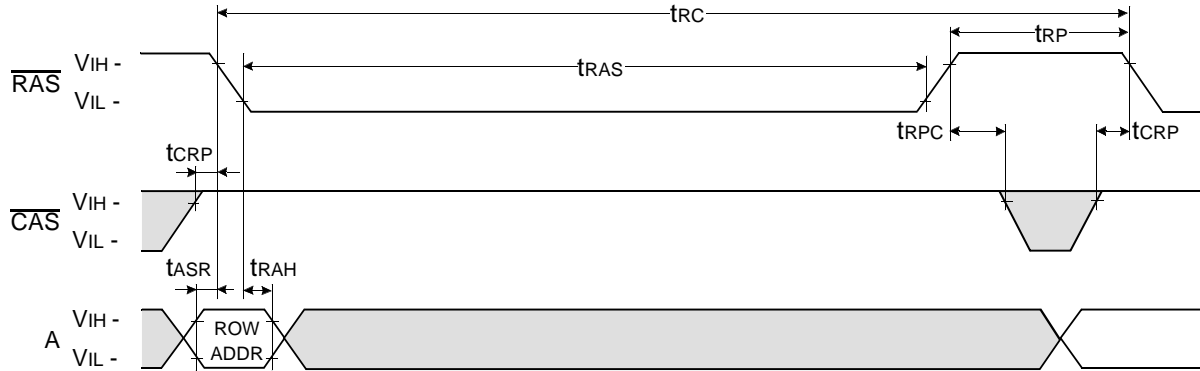


Don't care  
 Undefined

**$\overline{\text{RAS}}$  - ONLY REFRESH CYCLE\***

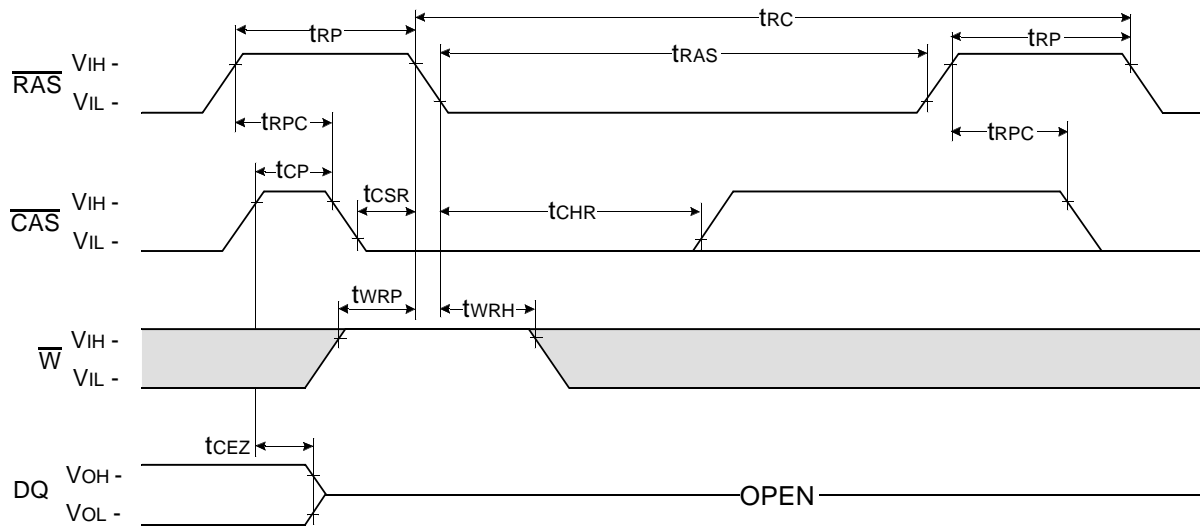
NOTE :  $\overline{\text{W}}$ ,  $\overline{\text{OE}}$ , DIN = Don't care

DOUT = OPEN



**$\overline{\text{CAS}}$  - BEFORE -  $\overline{\text{RAS}}$  REFRESH CYCLE**

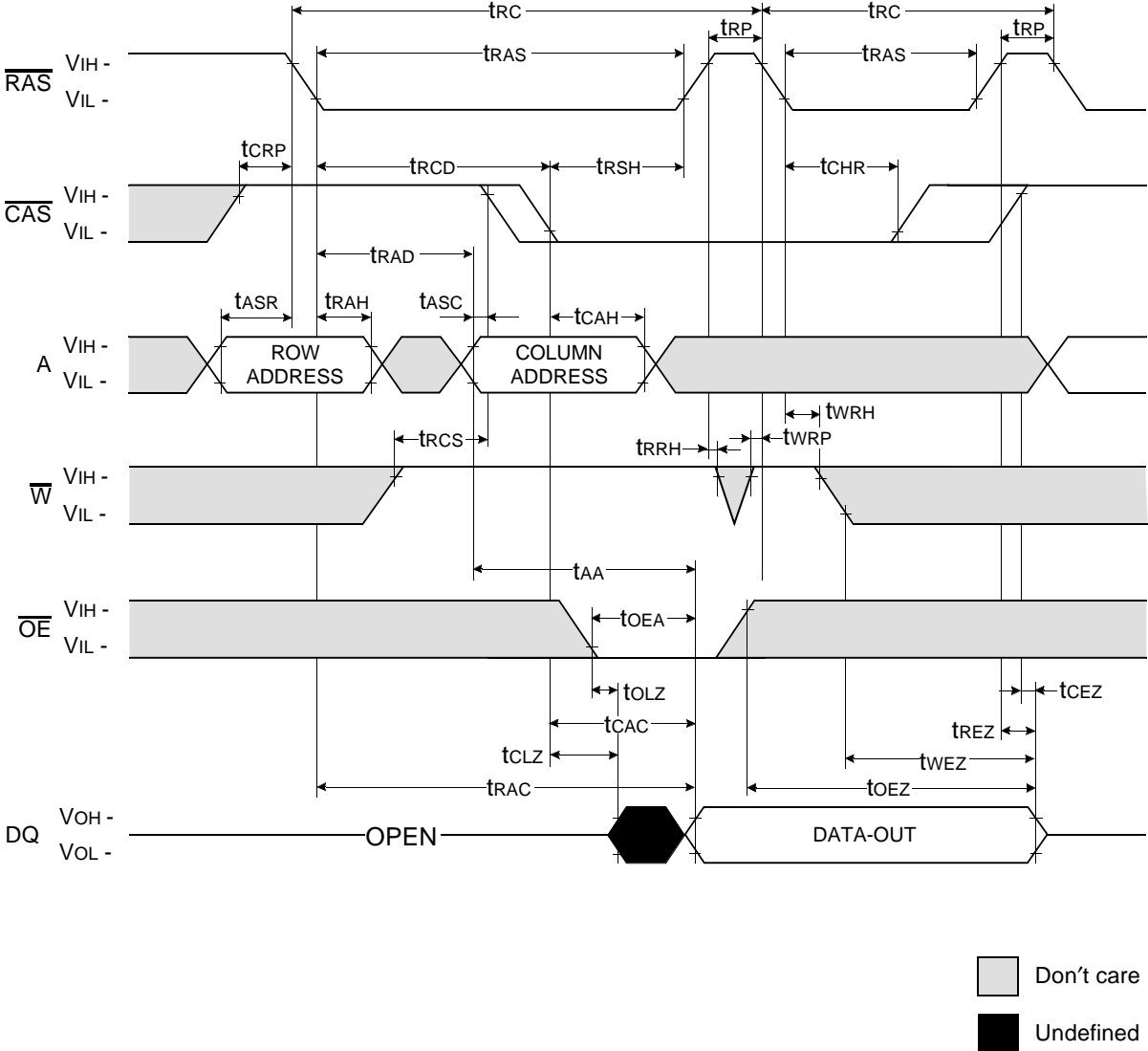
NOTE :  $\overline{\text{OE}}$ , A = Don't care



Don't care  
 Undefined

\* In  $\overline{\text{RAS}}$ -only refresh cycle of 64Mb A-die & B-die, when  $\overline{\text{CAS}}$  signal transits from Low to High, the valid data may be cut off.

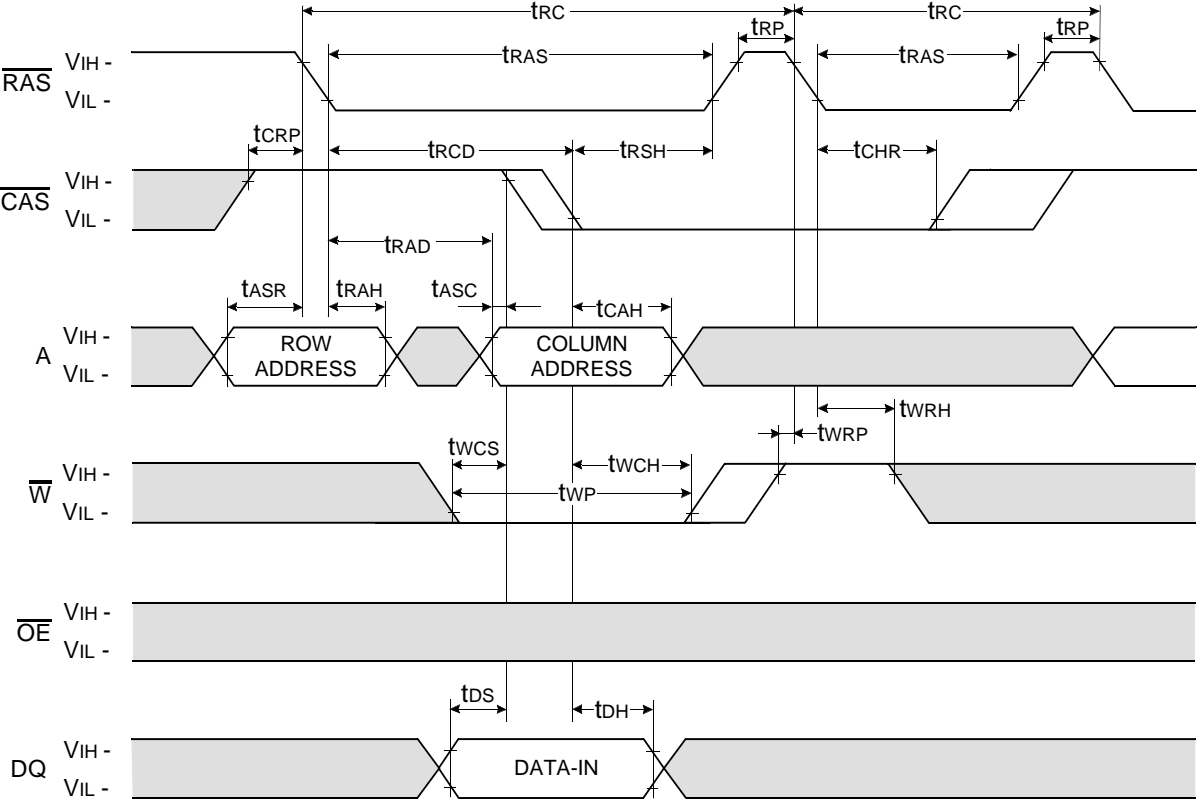
HIDDEN REFRESH CYCLE ( READ )





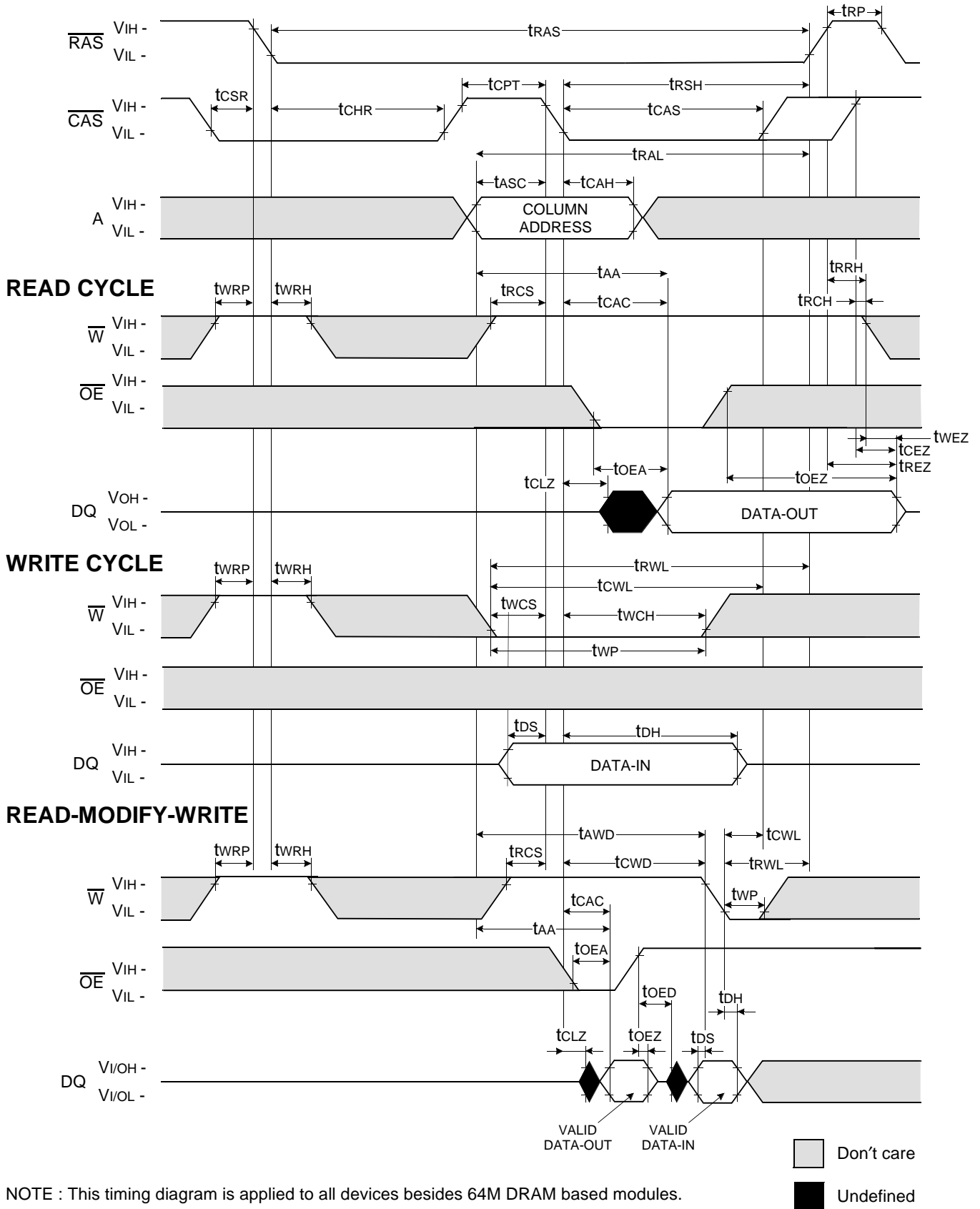
HIDDEN REFRESH CYCLE ( WRITE )

NOTE : DOUT = OPEN



Don't care  
Undefined

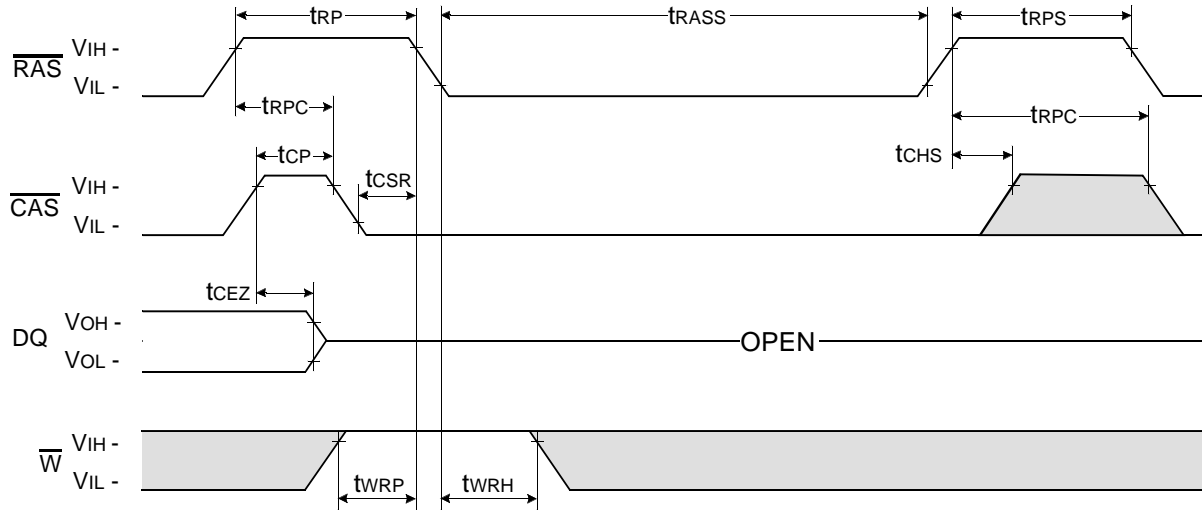
**CAS-BEFORE-RAS REFRESH COUNTER TEST CYCLE**



NOTE : This timing diagram is applied to all devices besides 64M DRAM based modules.

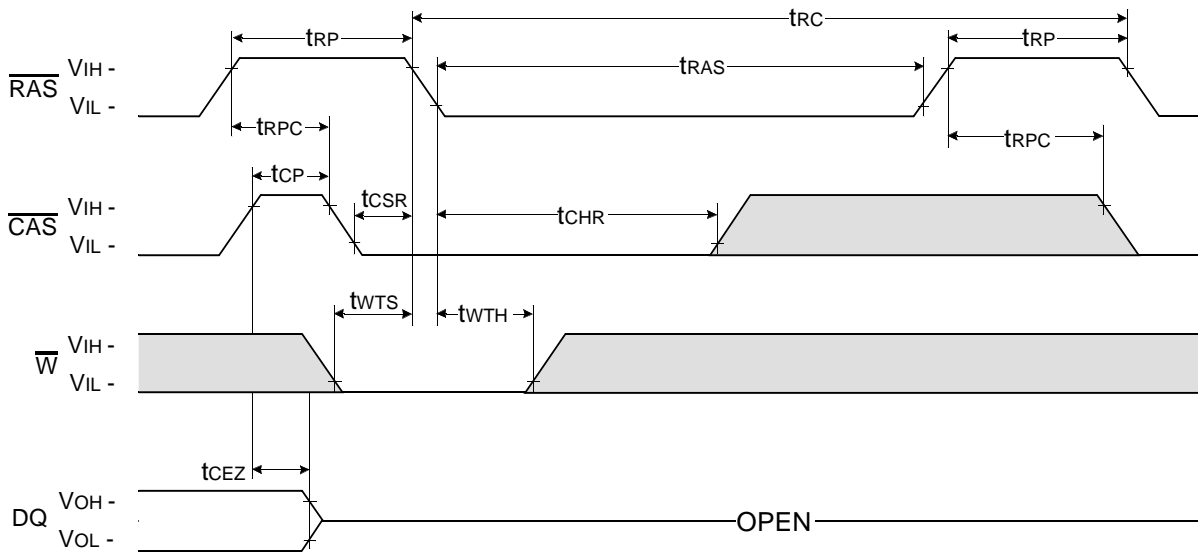
**CAS - BEFORE - RAS SELF REFRESH CYCLE**

NOTE :  $\overline{OE}$ , A = Don't care



**TEST MODE IN CYCLE**

NOTE :  $\overline{OE}$ , A = Don't care



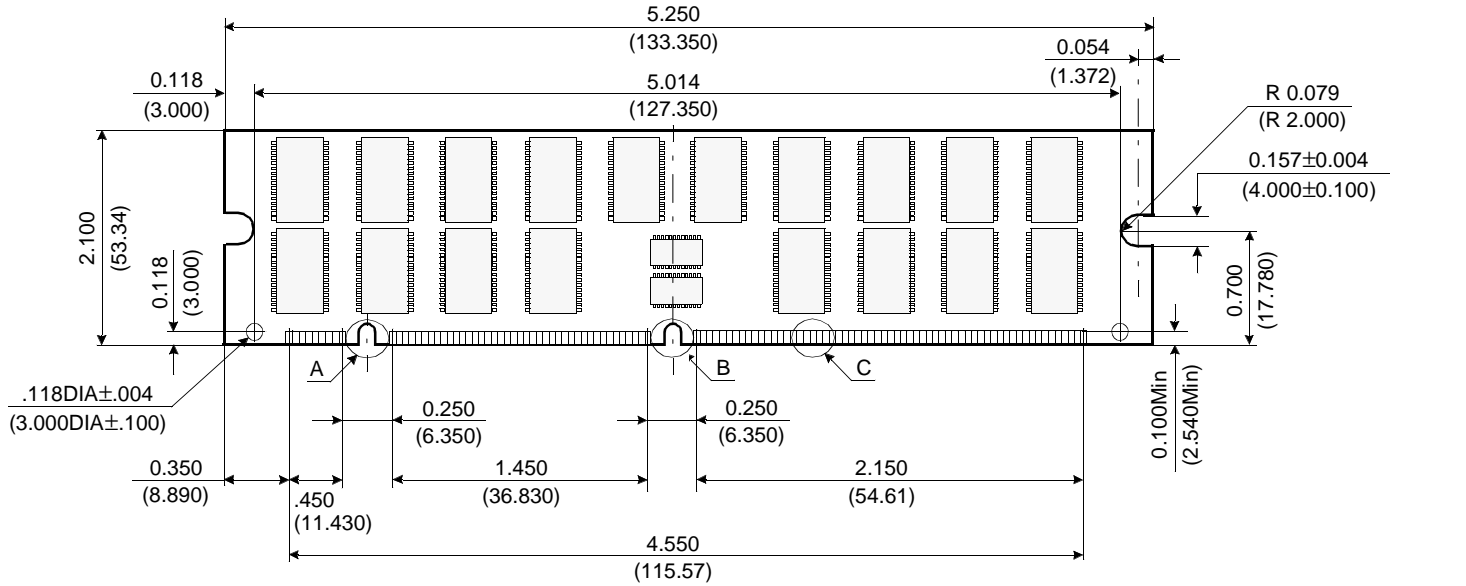
Don't care  
 Undefined

# DRAM MODULE

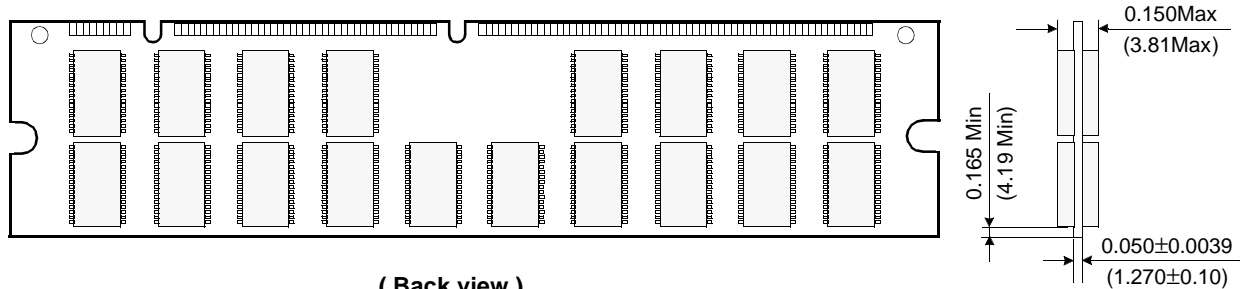
# KMM372F320(8)0BS1

## PACKAGE DIMENSIONS

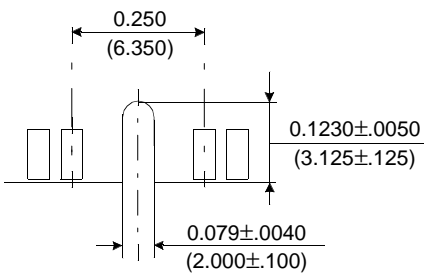
Units : Inches (millimeters)



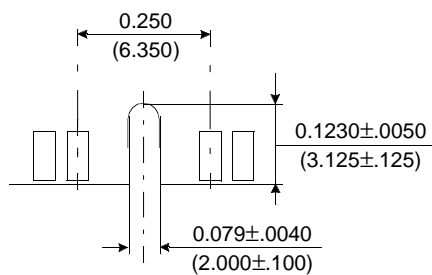
( Front view )



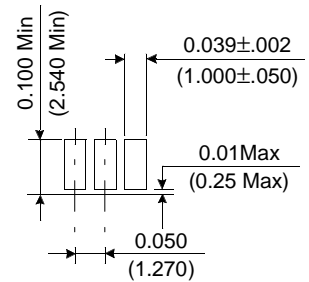
( Back view )



Detail A



Detail B



Detail C

Tolerances :  $\pm 0.005$  (.13) unless otherwise specified

The used device is 16Mx4 DRAM with EDO mode, TSOP II.

DRAM Part No. : KMM372F3200BS1 - KM44V16104BS.

KMM372F3280BS1- KM44V16004BS.



ELECTRONICS