

Ultraminiature PCB Telecom Relay

HG4507



FEATURES

- Ultra-miniature design, extremely light weight
- Contact capacity from 1 mA to 1A.
- PCB terminal layout meets 2.54 grid
- Approvals pending
- Ideal for hand carrying equipment

TYPICAL APPLICATIONS

- Telecom equipment
- Computer peripherals

CONTACT RATING

Form	1 Form C (Z)
Rated Load	0.5A, 125VAC; 1A, 24VDC
Max. Switching Current	1A
Max. Switching Voltage	125VAC/60VDC
Max. Continuous Current	2A
Max. Switching Power	62.5VA/30W
Min. Load	1mA, 5VDC

CONTACT DATA

Material	Ag, Au plated Ag	
Initial Contact Resistance	100 mΩ max. at 0.1A, 6VDC	
Service Life	Mechanical	5 x 10 ⁶ ops.
	Electrical	10 ⁵ ops.

UL/CSA RATING (PENDING)

Form	1 Form C (Z)
Resistive	1A, 30VDC 0.3A, 60VDC
General Use	0.5A, 125VAC

COIL DATA

Coil Voltage Code	Nominal Voltage (VDC)	Resistance (Ω) ±10%	Must Operate Voltage max. (VDC)	Must Release Voltage min. (VDC)
		Power Consumption		
003	3	60	2.4	0.3
005	5	167	4.0	0.5
006	6	240	4.8	0.6
009	9	540	7.2	0.9
012	12	960	9.6	1.2
024	24	3840	19.2	2.4

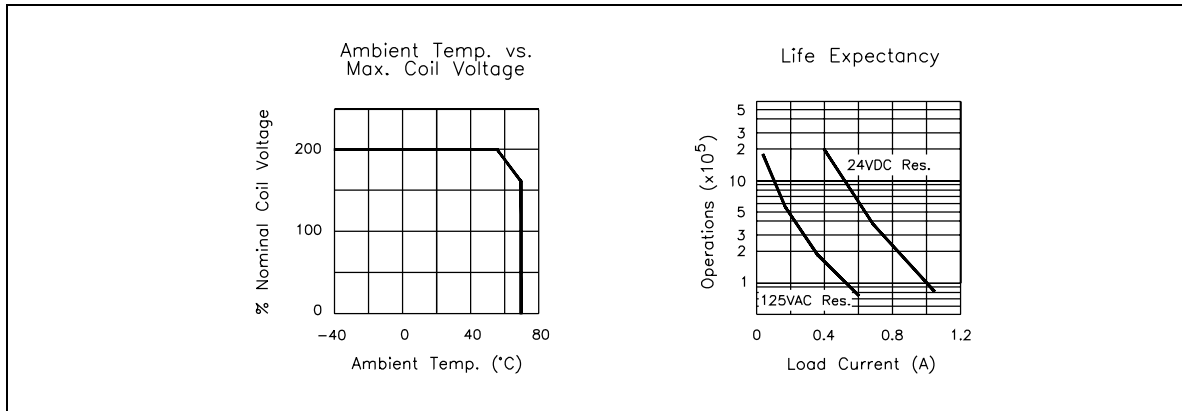
CHARACTERISTICS

Operate Time	5 ms. max.
Release Time	5 ms. max.
Insulation Resistance	1000 MΩ, at 500 VDC, 50%RH between coil and contacts 1000 MΩ, at 250 VDC, 50%RH between open contacts
Dielectric Strength	1000 Vrms, 1 min. between coil and contacts 400 Vrms, 1 min. between open contacts
Surge Resistance	1500V, between coil and contacts (FCC Part 68)
Shock Resistance	10 g, 11ms. functional; 100g, destructive
Vibration Resistance	DA 3.3mm, 10 - 55 Hz
Ambient Temperature	-40°C to 70°C, operating and storage
Weight	2.2 g, approx.

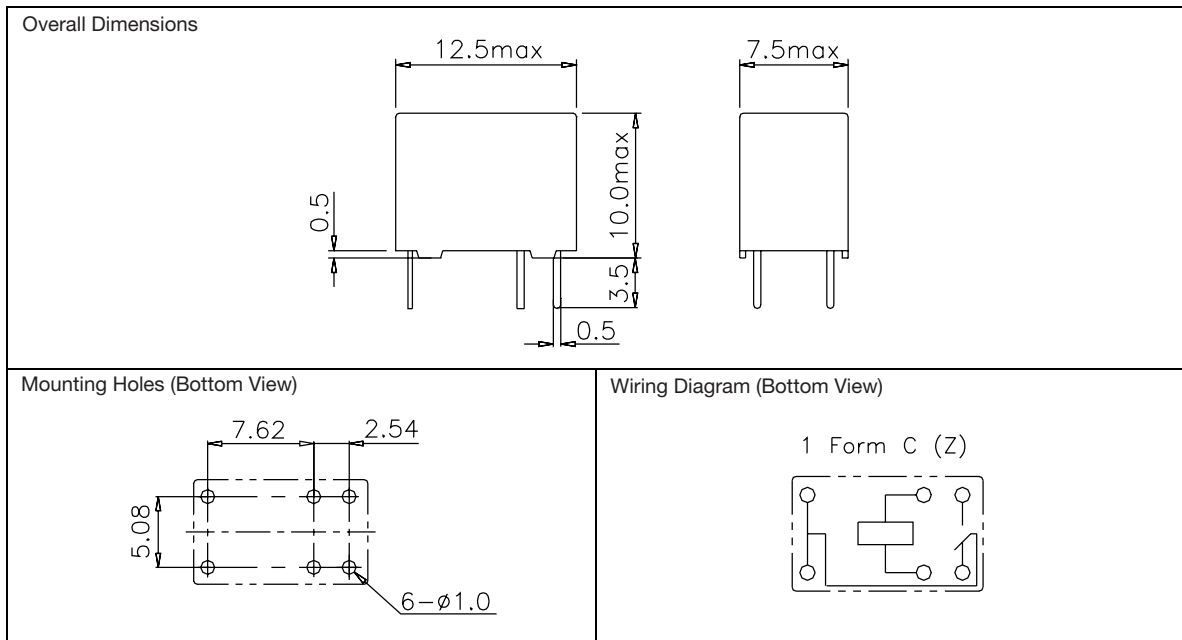
ORDERING DESIGNATION

Example:	HG4507 /	012 -	Z	1	A
Model					
Coil Voltage Code					
Contact Form					
Z: 1 Form C					
Version					
1: Sealed					
Contact Material					
Nil: Ag; A: Au plated Ag					

REFERENCE CURVES



OVERALL DIMENSIONS, MOUNTING HOLES AND WIRING DIAGRAM (mm)



NOTES

1. All parameters, unless otherwise specified, are measured at ambient temperature 23°C.
2. Custom-made services available with operational quantity. Please let us know your special requirements.
3. Specifications subject to change without prior notice.