

LOC	DIST	REVISIONS					
AD	00	P	LTR	DESCRIPTION	DATE	DWN	APVD
		A		ECO-05-10251	28SEP05	RB	MS

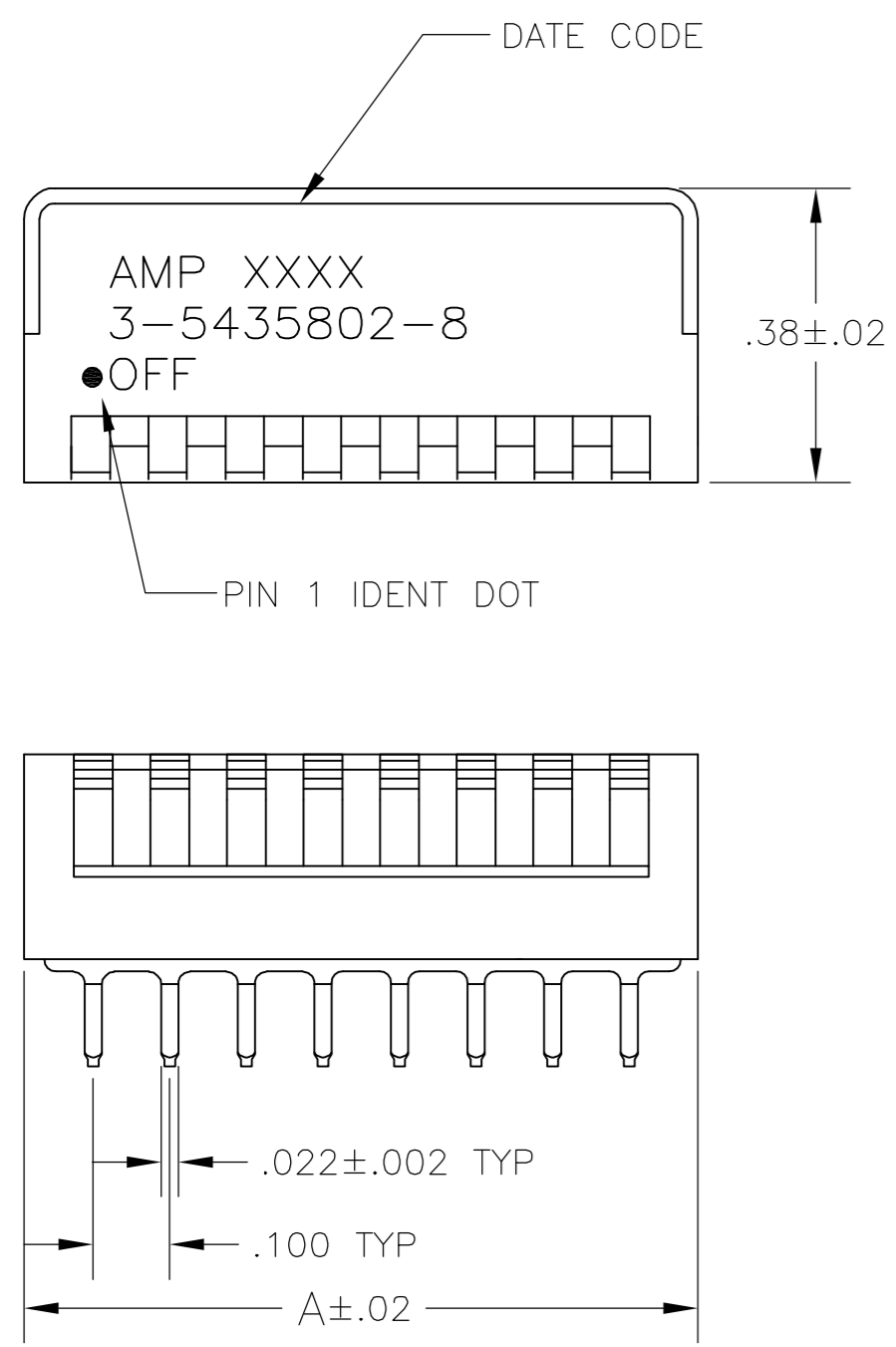


FIG 1

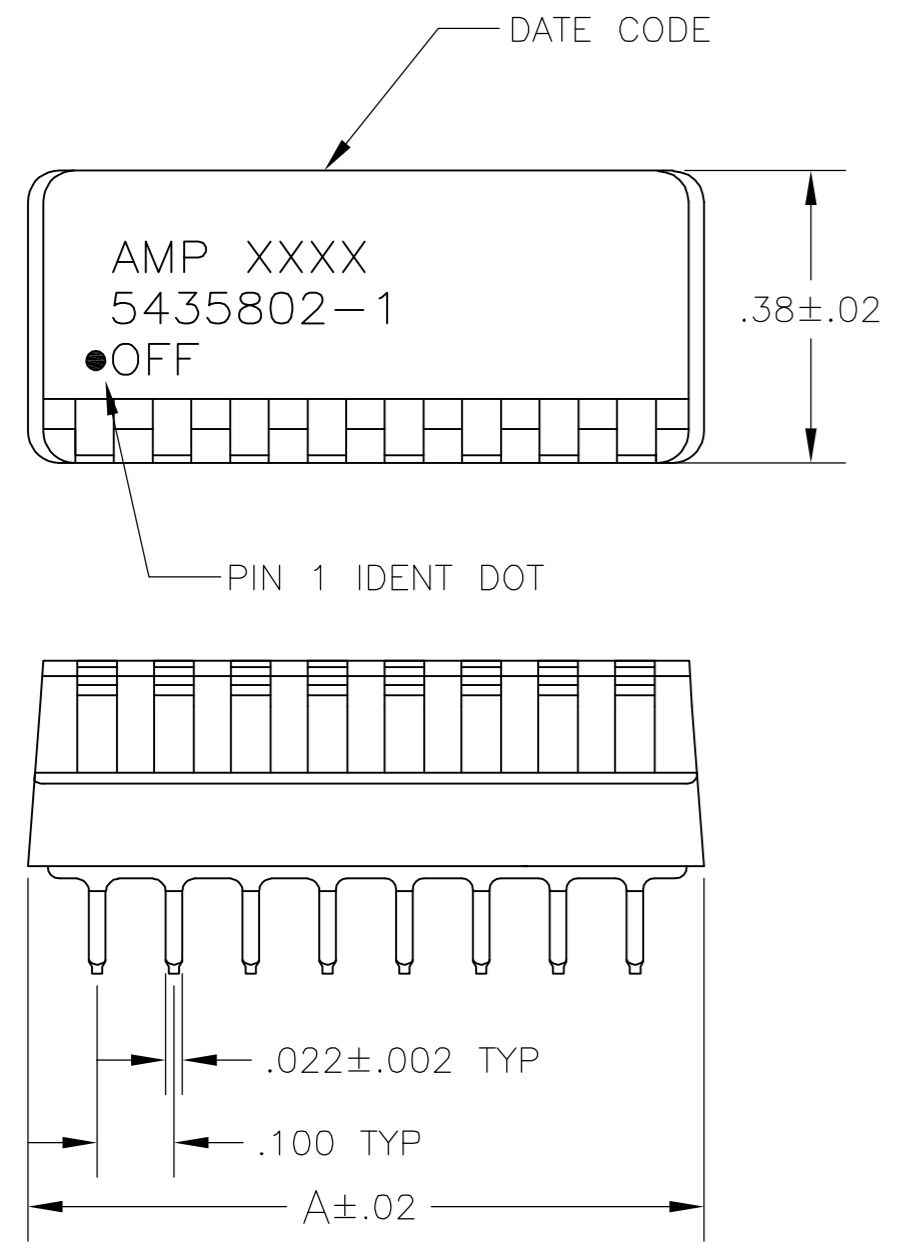
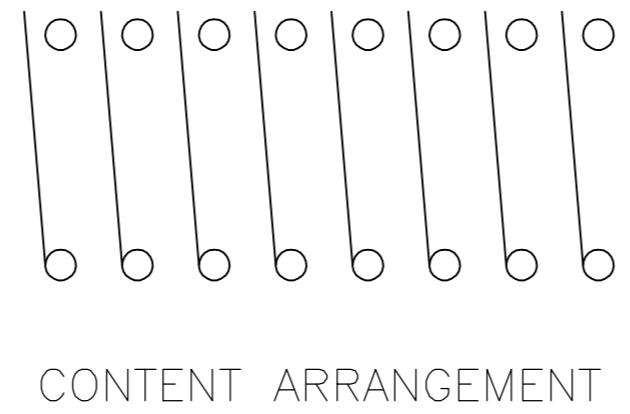


FIG 2

1. FOR ADDITIONAL SPECIFICATIONS SEE AMP PRODUCT SPEC 108-7519.
2. SWITCH SHOWN IN OPEN POSITION.
3. ALL CHARACTERS AND ROCKERS ARE WHITE, HOUSING IS BLACK.
4. STAMPING WILL VARY ON 2 AND 3 POSITION TOPS DUE TO SPACE RESTRICTIONS.
5. STRIPPABLE TRANSPARENT SEAL, SEE FIG 6.
6. .315 DIMENSION APPLIES AT TERMINAL TIPS. TERMINALS ARE .300^{+.010} AT MOUNTING SURFACE.
7. NO POSITION MARKING.
8. NO PART NO. MARKING.
9. STRIPPABLE TAPE SEAL, SEE FIGURE 8.
10. ALL MATERIALS AND FINISHES SHALL COMPLY WITH EU DIRECTIVE 2002/95/EC OF 27JAN2003 (ROHS)
11. MATERIAL: HOUSING AND ROCKERS - POLYESTER
CONTACT & SOLDER LEAD - COPPER ALLOY
12. FINISH: CONTACT - GOLD OVER NICKEL
SOLDER LEAD - TIN OVER NICKEL

FIG 2	FIG 3A& 7		1.08	10	6-5435802-3		
FIG 1	FIG 3B	9	.88	8	3-5435802-8		
FIG 2	7 8	5	.88	8	3-5435802-0		
FIG 2	7 8	5	.48	4	2-5435802-9		
FIG 2	FIG 3A	5	1.28	12	2-5435802-2		
FIG 2			1.18	11	2-5435802-1		
FIG 2			1.08	10	2-5435802-0		
FIG 2			.98	9	1-5435802-9		
FIG 2			.78	7	1-5435802-8		
FIG 2			.68	6	1-5435802-7		
FIG 2			.58	5	1-5435802-6		
FIG 2			.48	4	1-5435802-5		
FIG 2			1.28	12	1-5435802-2		
FIG 1			FIG 3B		.28	2	1-5435802-0
FIG 2	FIG 3A	5	.88	8	5435802-9		
FIG 2			1.08	10	5435802-8		
FIG 2			.98	9	5435802-7		
FIG 2			.78	7	5435802-6		
FIG 2			.68	6	5435802-5		
FIG 2			.58	5	5435802-4		
FIG 2			.48	4	5435802-3		
FIG 2			FIG 3A		.38	3	5435802-2
FIG 2			FIG 3A		.88	8	5435802-1
HOUSING			MARKING	PROTECTIVE SEAL	A	NO OF POSN	PART NO

5435802-1 SHOWN

THIS DRAWING IS A CONTROLLED DOCUMENT.		DWN R. TALLEY 19-9-89	Tyco Electronics Corporation Harrisburg, Pa 17105-3608			
DIMENSIONS: INCHES		CHK R. MILLER 19-9-89				
TOLERANCES UNLESS OTHERWISE SPECIFIED:		APVD H. LEITER 19-9-89	NAME			
0 PLC ± - 1 PLC ± - 2 PLC ± - 3 PLC ± .005 4 PLC ± - ANGLES ± - FINISH		PRODUCT SPEC	SWITCH ASSY, DIP, TYPE C, 7000 SERIES, SPST, SIDE ACTUATED			
MATERIAL		APPLICATION SPEC	SIZE	CAGE CODE	DRAWING NO	RESTRICTED TO
		WEIGHT	A2	00779	C=5435802	-
		CUSTOMER DRAWING	SCALE	4:1	SHEET	1 OF 2
						REV A

THIS DRAWING IS UNPUBLISHED. RELEASED FOR PUBLICATION
 © COPYRIGHT BY TYCO ELECTRONICS CORPORATION. ALL RIGHTS RESERVED.

LOC	DIST	REVISIONS			
P	LTR	DESCRIPTION	DATE	DWN	APVD
AD	00	SEE SHEET 1	-	-	-

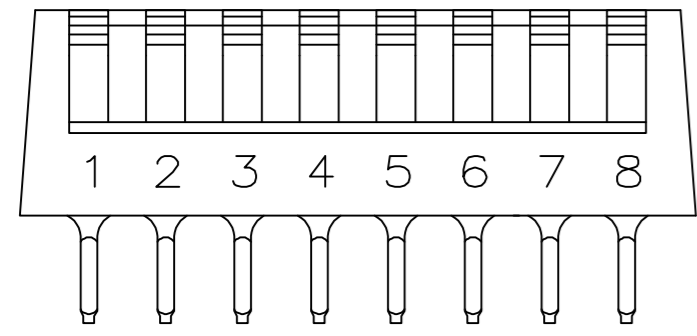


FIG 3A

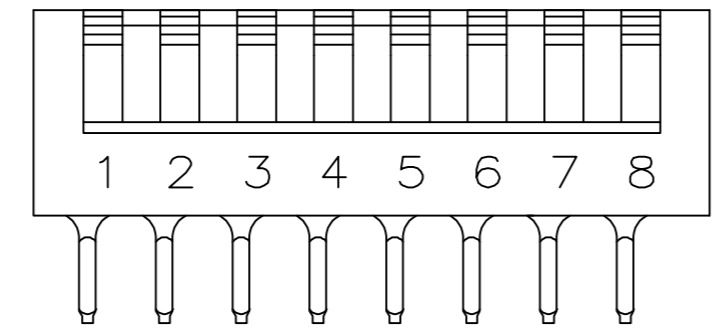


FIG 3B

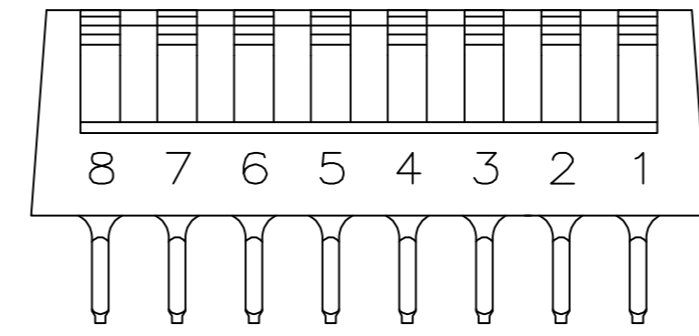
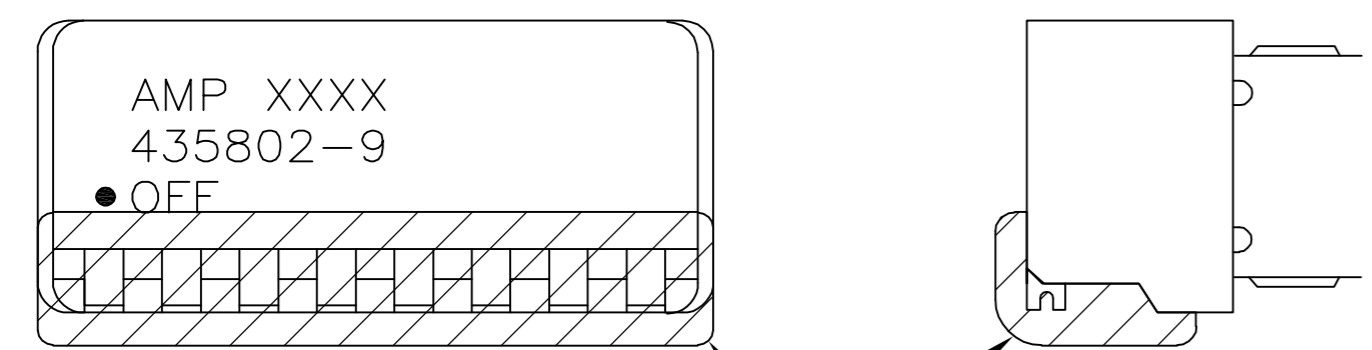


FIG 4



PROTECTIVE SEAL
FIG 6

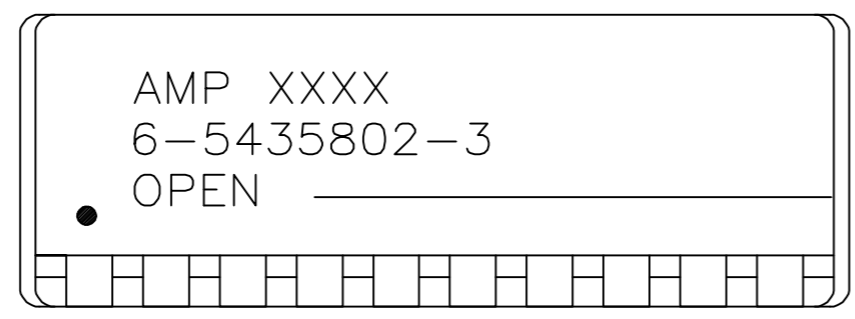
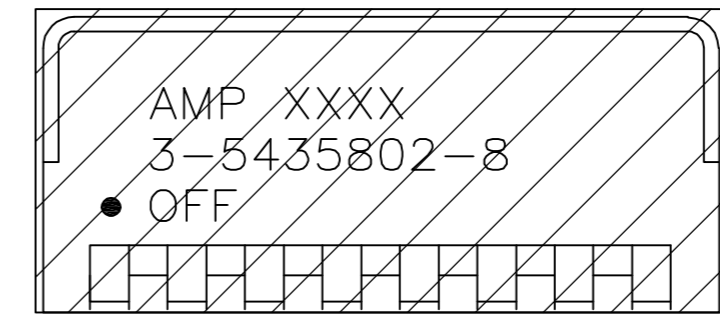


FIG 7



PROTECTIVE SEAL

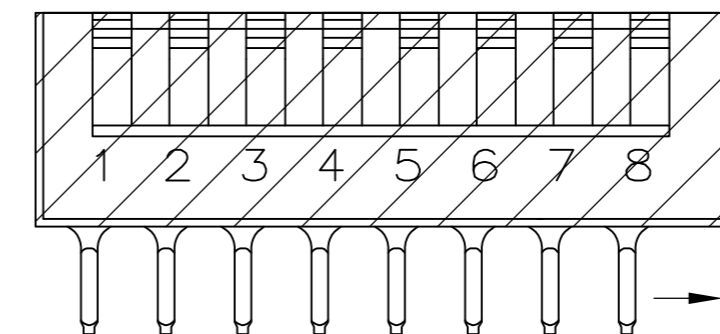


FIG 8

THIS DRAWING IS A CONTROLLED DOCUMENT.		DWN R. TALLEY 19-9-89	 Tyco Electronics Corporation Harrisburg, Pa 17105-3608	NAME		
DIMENSIONS: INCHES		CHK R. MILLER 19-9-89		SWITCH ASSY, DIP, TYPE "C", 7000 SERIES, SPST, SIDE ACTUATED		
TOLERANCES UNLESS OTHERWISE SPECIFIED:		APVD H. LEITER 19-9-89		SIZE	CAGE CODE	DRAWING NO
0 PLC ± - 1 PLC ± - 2 PLC ± - 3 PLC ± .005 4 PLC ± - ANGLES ± - FINISH SEE SHEET 1		PRODUCT SPEC		A2	00779	C=5435802
MATERIAL SEE SHEET 1		WEIGHT -	RESTRICTED TO		SCALE 4:1	
		CUSTOMER DRAWING		SHEET 2	OF 2	
				REV A		

5435802