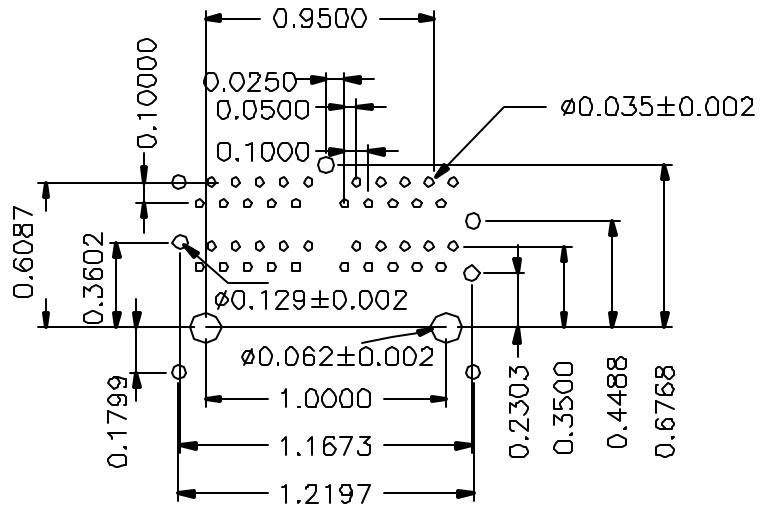
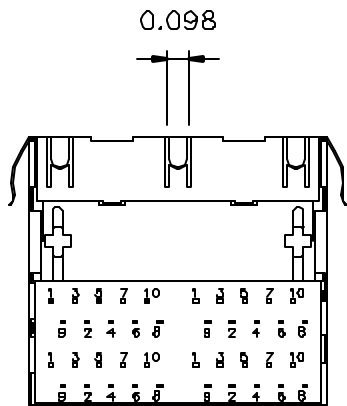
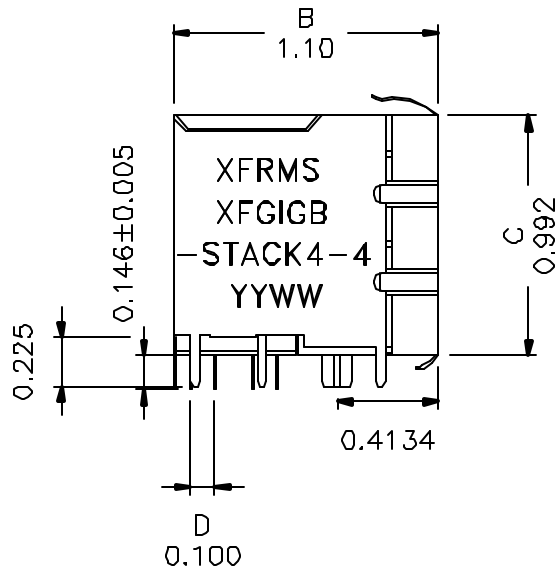
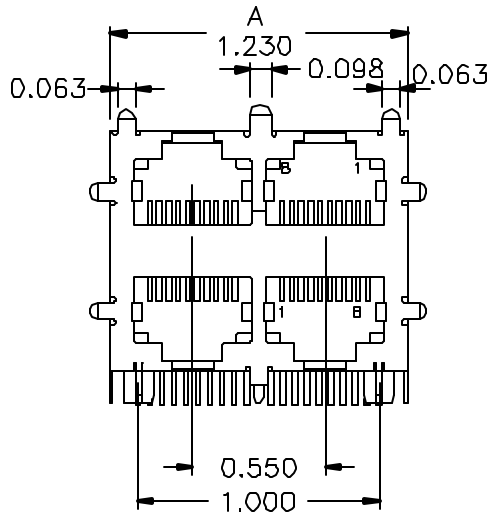


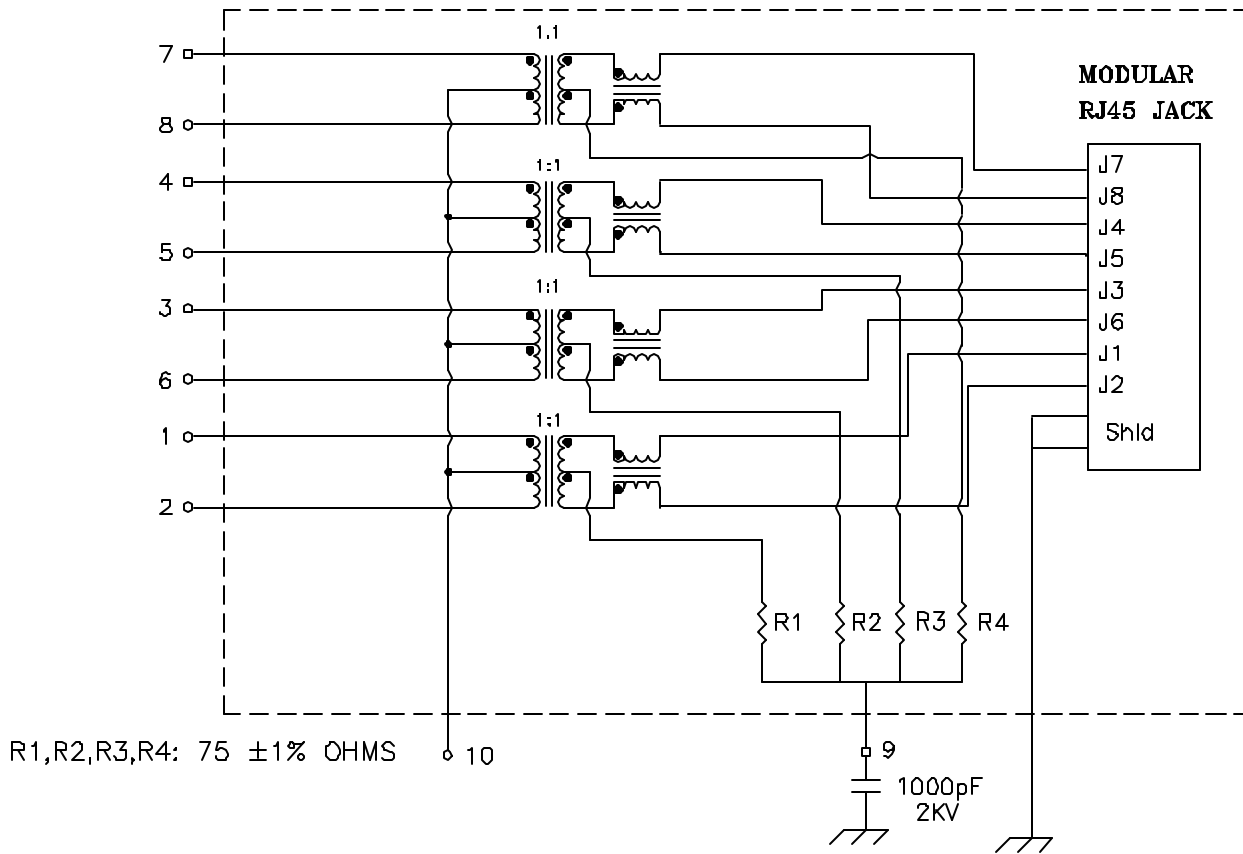
Mechanical Dimensions:



DOC. REV. A/1

XFMRS Inc.	Title: Mechanical Dimensions For 2x2 STACKED COMBO Series		
UNLESS OTHERWISE SPECIFIED	P/N: XFGIGB-STACK4-4	REV. A	
TOLERANCES: .xxx ±0.010	DWN.	廖玉坤	Mar-20-01
Dimensions in Inch	CHK.	李清儿	Mar-20-01
SHEET 2 OF 2	APP.	BW	Mar-20-01

Schematic: (SINGLE PORT)



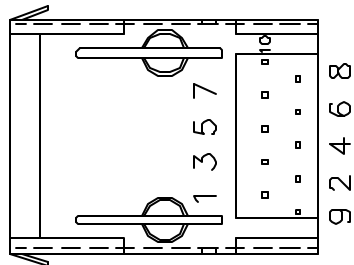
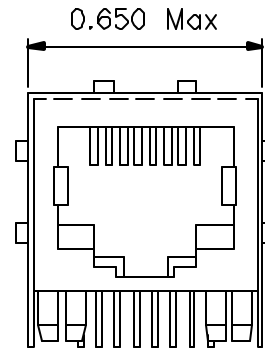
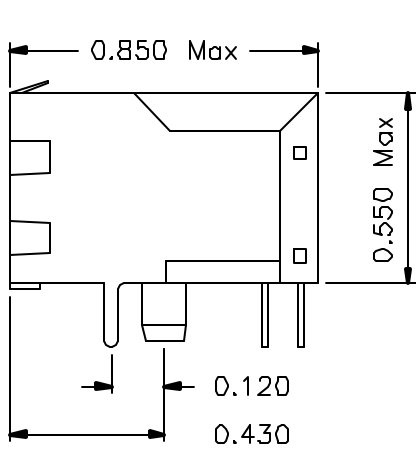
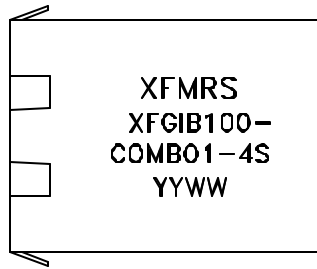
Electrical Specifications: @25°C

ISOLATION 1500 Vrms
 TURNS RATIO: (PRI/SEC) 1CT:1CT ±2%
 OCL: 350uH MIN @100KHz 100mV 8mADC
 Rise Time: 1.75ns Max.
 INSERTION LOSS: -1.0dB MAX @1MHz-100MHz
 -1.5dB MAX @100-125MHz
 RETURN LOSS: -18dB Min @1-30MHz
 -15dB Min @40MHz -13.1dB Min @50MHz
 -12dB Min @60-80MHz -10dB Min @100MHz
 Differential to Common Mode Rejection:
 -43dB Min @30MHz -37dB Min @80MHz
 -33dB Min @100MHz
 CMRR: -30dB Min @1-100MHz
 Crosstalk: -45dB Min @30MHz
 -40dB Min @60MHz -35dB Min @100MHz

XFMRs Inc. UNLESS OTHERWISE SPECIFIED TOLERANCES: .xxx ±0.010 Dimensions in Inch SHEET 1 OF 2	Title: SINGLE PORT COMBO		
	P/N: XFGIB100-COMBO1-4		REV. A
	DWN.	李清儿	Feb-09-01
	CHK.	孙小松	Feb-09-01
	APP.	Joe Huff	Feb-09-01

DOC REV.: A/1

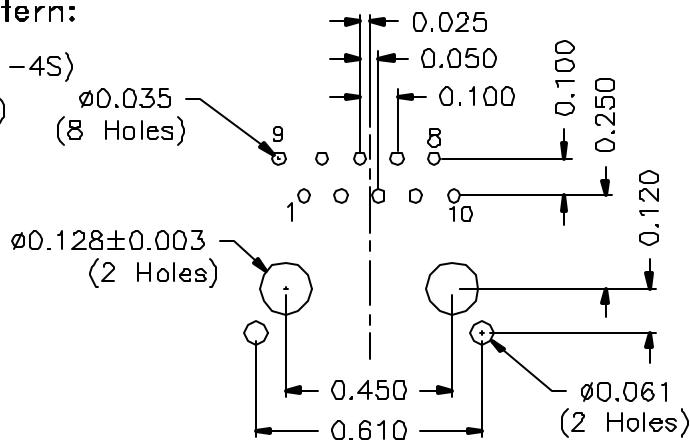
Mechanical Dimensions:



(BOTTOM VIEW)

Mounting Pattern:

(FOR COMBO1-4S)
(COMP SIDE)



XFMRS Inc.		Title: Mechanical Dimensions For COMBO1-4S Series	
UNLESS OTHERWISE SPECIFIED TOLERANCES: .xxx ±0.010 Dimensions in Inch	P/N: XFGIB100-COMBO1-4S	REV A	
	DWN.	李清儿	Feb-09-01
	CHK.	孙小悦	Feb-09-01
	APP.	Joe Huff	Feb-09-01
SHEET 2 OF 2			