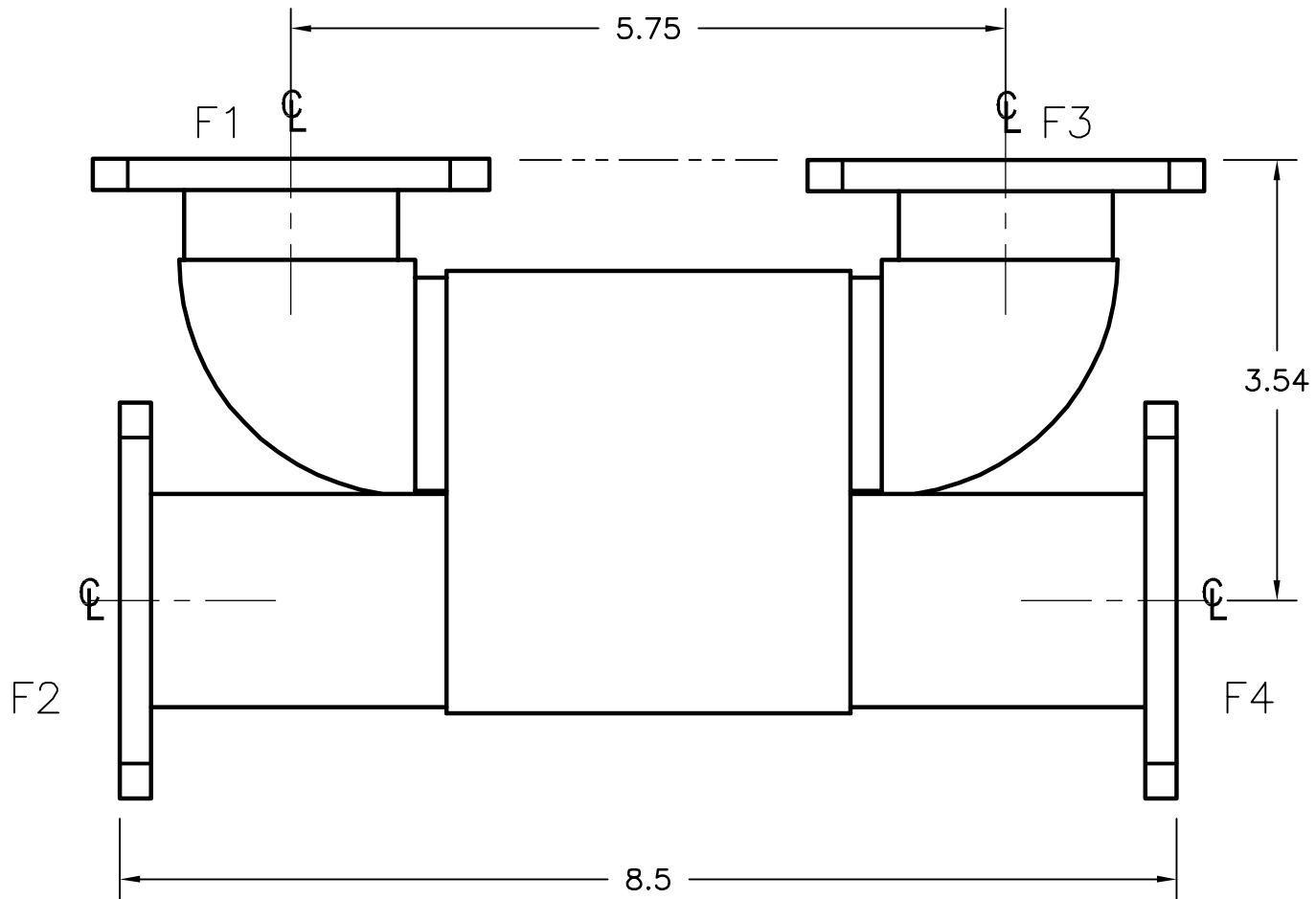


REV A	AUTH JLE	DATE 10/17/02	INITIAL RELEASE
REV B	AUTH RL	DATE 10/30/06	FREQ. NOTES CORRECTED; ILLUSTRATION, FORMAT UPDATED.



FLANGE TYPE
1 = CPRG
2 = CPRF

FREQUENCY	MODEL
5.40–5.90 GHz	159–261A–Z–F1–F2–F3–F4
5.90–6.50 GHz	159–262A–Z–F1–F2–F3–F4

NOTE: REPLACE "F1, F2, F3, & F4" NOTATION WITH NUMBER CORRESPONDING TO FLANGE TYPE DESIRED, AS SHOWN ON TABLE ABOVE.

THIRD ANGLE PROJECTION:		APPROVALS	DATE	ADVANCED TECHNICAL MATERIALS, INC. TEL: (631) 289-0363 FAX: (631) 289-0358 www.atmmicrowave.com	<small>THE INFORMATION IN THIS DRAWING IS PROPRIETARY AND SHALL NOT BE USED OR DISCLOSED WITHOUT THE PRIOR WRITTEN CONSENT OF ATM, INC. DO NOT SCALE DWG.</small>
UNLESS OTHERWISE NOTED, DIMENSIONS ARE IN INCHES, TOLERANCES ARE: FRACTIONS: ±1/64 ANGLES: ±1/2°		DRAWN JLE	10/17/02		
BASIC DIMENSION	DECIMALS 2 PLACE 3 PLACE	CHKD.	APRVD.	OUTLINE, WR159 'Z'-STYLE COMBINER-DIVIDER (HYBRID-COUP.)	
UNDER 6"	±.02 ±.005	MATERIAL PER ORDER			
6" – 12"	±.03 ±.010	TREATMENT -			
OVER 12"	±.06 ±.015	FINISH ATM STD. GRAY		SIZE A	CAGE CODE 0R8N4
				ATM DWG # 5233W	REVISION B
				SCALE NONE	MODEL # 159-26XX-Z-F1-F2-F3-F4
				SHEET 1/1	