

EPA1473J-X

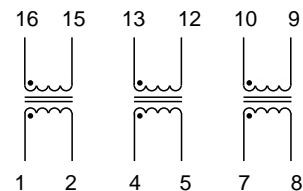
- Designed for IEEE 802.3 and ECMA Requirements •
 - 2000 Vrms Hipot •
(In compliance with LANS safety requirements)
 - Also available in 500 Vrms •
- Available in Low Profile S.O.I.C. 16 Pin SMD Package •

Electrical Parameters @ 25°C

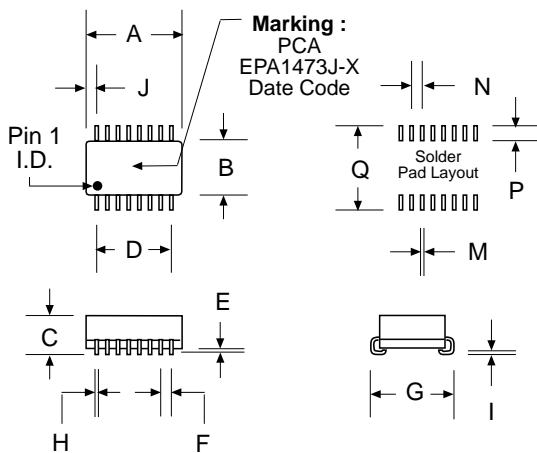
PCA Part Number	OCL (μH ± 20%)	Interwinding Capacitance (pF Max.)	Leakage Inductance (μH Max.)	ET-Constant (V-μSec. Typ)	Rise Time (nS Max.)	DCR (Ω Max.)
EPA1473J-1	25	5	0.15	2.0	3.0	0.15
EPA1473J-2	30	5	0.15	2.0	3.0	0.15
EPA1473J-3	35	6	0.15	2.0	3.0	0.20
EPA1473J-4	50	7	0.20	2.0	3.0	0.20
EPA1473J-5	75	8	0.20	2.4	3.0	0.30
EPA1473J-6	100	9	0.25	2.5	3.0	0.30
EPA1473J-7	125	10	0.25	3.0	3.0	0.30
EPA1473J-8	150	11	0.25	3.0	3.0	0.40
EPA1473J-9	175	12	0.25	3.0	3.5	0.50

- Turns Ratio = 1:1 ± 5% •

Schematic



Package



Dimensions

Dim.	(Inches)			(Millimeters)		
	Min.	Max.	Nom.	Min.	Max.	Nom.
A	.430	.450	.440	10.92	11.43	11.18
B	.270	.290	.280	6.86	7.37	7.11
C	.168	.188	.178	4.27	4.77	4.55
D	---	---	.350	---	---	8.89
E	.025	.045	.035	.635	1.14	.889
F	---	---	.050	---	---	1.27
G	---	---	.310	---	---	7.87
H	.018	.022	.020	.457	.559	.508
I	.008	.012	.010	3.05	3.56	.254
J	---	---	---	---	---	---
M	---	---	.030	---	---	.762
N	---	---	.050	---	---	1.27
P	---	---	.055	---	---	1.40
Q	---	---	.380	---	---	9.65