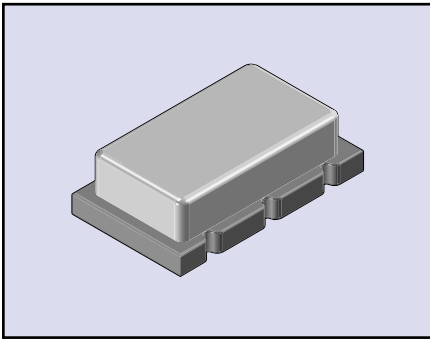


ECS-SR-B SERIES SMD CERAMIC RESONATOR



The ECS-SR-B Series SMD ceramic resonator includes built in capacitors for simplification of oscillator circuits and reduces component count. The SMD ceramic resonator is an excellent low cost frequency control solution when absolute frequency accuracy is not important.

FEATURES

- Low profile SMD package
- Wide frequency range
- Built-in load capacitor
- Tape & Reel packaging

PART NUMBERING GUIDE *"EXAMPLE"*

MANUFACTURER	PACKAGE TYPE	FREQUENCY	VERSION	TAPE AND REEL PACKAGING
ECS	- SR1	- 4.00	- B	- TR

Sample Part Number: ECS-SR1-4.00-B-TR, Tape & Reel Packaging

OPERATING CONDITIONS/ELECTRICAL CHARACTERISTICS

PART NUMBER *	FREQUENCY RANGE (MHz)	FREQUENCY ACCURACY @ 25°C (%)	FREQUENCY STABILITY -20° ~ 80°C (%)	AGING FOR TEN YEARS (%)	RESONANT RESISTANCE (Ω) MAX.	INTERNAL CAPACITANCE C1 & C2	INSULATION RESISTANCE @ 10 VDC
ECS-SR1-□-□□-B	2.00 ~ 8.0	±0.5	±0.3	±0.3	40	30 pF	100 M W Min.
ECS-SR2-□-□□-B	8.01 ~ 13.00	±0.5	±0.3	±0.3	40	30 pF	100 M W Min.
ECS-SR3-□-□□-B	13.1 ~ 20.00	±0.5	±0.3	±0.3	30	30 pF	100 M W Min.
ECS-SR4-□-□□-B	20.1 ~ 30.00	±0.5	±0.3	±0.3	55	30 pF	100 M W Min.

Complete part number to include frequency i.e. ECS-SR1-4.00-B-TR

PACKAGE DIMENSIONS (mm)

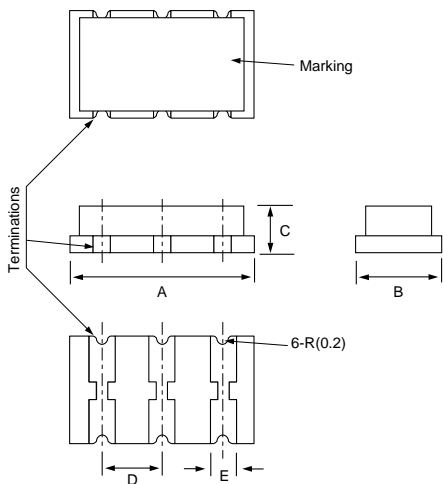


Figure 1) ECS-SR-B Series - Top, Side, Bottom & End views

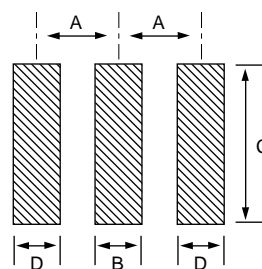


Figure 2) Land Pattern

PACKAGE TYPE	DIMENSIONS (mm)				
	A	B	C	D	E
ECS-SR1	7.5	3.3	2.2	2.5	1.5
ECS-SR2	8.3	3.5	1.8	2.5	1.0
ECS-SR3	6.0	3.5	1.8	1.9	1.2
ECS-SR4	6.0	5.0	1.8	1.9	1.2

PACKAGE TYPE	DIMENSIONS (mm)			
	A	B	C	D
ECS-SR1	2.5	1.5	4.0	1.7
ECS-SR2	2.5	1.2	4.7	1.2
ECS-SR3	1.9	1.2	4.2	1.2
ECS-SR4	1.9	1.2	5.5	1.2