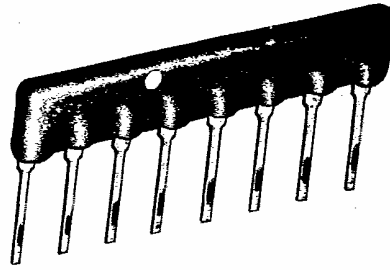




THICK FILM CONFORMAL COATED

SIP NETWORKS*



- 4 through 14-pin packages
- Project .256 in. from circuit board
- Circuits -1, -3 and -5 are standard

SPECIFICATIONS:

Electrical

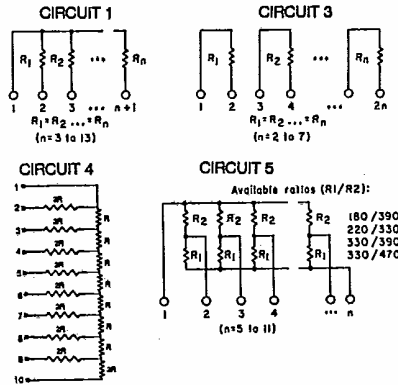
Resistance Range: 22Ω to 1.0MegΩ
 Resistance Tolerance: ±1%, ±2% and ±5%
 Temperature Coefficient:
 ±100 ppm/°C(1% Tol.), ±200 ppm/°C
 Max. Continuous Working Voltage: 200V
 Operating Temp.: -40°C to +150°C

Physical

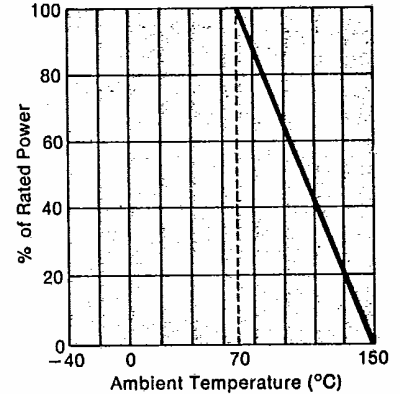
Element: Fused thick-film composition
 Substrate: 96% Alumina
 Body: Conformal Coated
 Terminals: Solder Plated Steel
 Lead Pull: 2.2 pounds
 Lead Solderability:
 MIL-STD-202, Method 208
 Resistance to Soldering Heat:
 MIL-STD-202E, Method 210A, Cond. A
 Marking Resistance to Solvents:
 MIL-STD-202, Method 215

ENVIRONMENTAL PER MIL-R-83401:

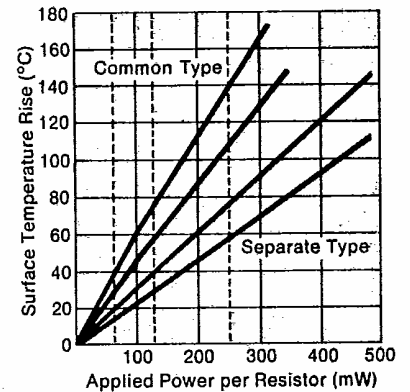
Short Time Overload: ±.5%
 Terminal Strength: ±.5%
 Resistance to Solder Heat: ±.5%
 Moisture Resistance: ±2%
 Load Life: ±2%
 Temperature Cycling: ±.5%



STANDARD CIRCUITS: POWER DERATING:



SURFACE TEMPERATURE RISE:



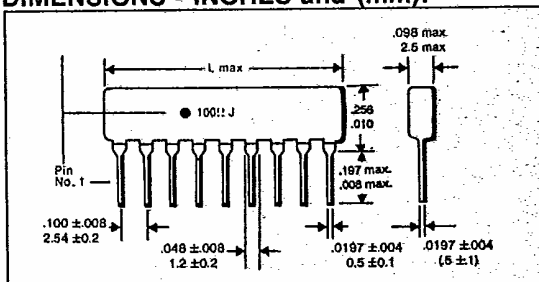
STANDARD RESISTANCE (OHMS):

22	100	390	1.5K	5.6K	22K	82K	330K
27	120	470	1.8K	6.8K	27K	100K	390K
33	150	560	2.2K	8.2K	33K	120K	470K
39	180	680	2.7K	10.0K	39K	150K	560K
47	220	820	3.3K	12.0K	47K	180K	680K
56	270	1K	3.9K	15.0K	56K	220K	820K
68	330	1.2K	4.7K	18K	68K	270K	1M
82							

POWER RATING AT 70°C:

Cir. Type	One Elem.	Max. Power In One Network (Watts)										
		4 Pin	5 Pin	6 Pin	7 Pin	8 Pin	9 Pin	10 Pin	11 Pin	12 Pin	13 Pin	14 Pin
-1	.125	.375	.5	.625	.75	.875	1	1.05	1.15	1.25	1.35	1.45
-3	.250	.500	--	.750	--	1	--	1.05	--	1.25	--	1.45
-4	.125	.375	.5	.625	.75	.875	1	1.05	--	--	--	--
-5	.125	--	.5	.625	.75	.875	1	1.05	1.15			

DIMENSIONS - INCHES and (mm):



No. Of Pins	L Max. Inches (mm)
4	.043 (10.66)
5	.053 (13.20)
6	.063 (15.80)
7	.073 (18.30)
8	.083 (20.90)
9	.093 (23.40)
10	1.03 (25.90)
11	1.13 (28.50)
12	1.23 (31.00)
13	1.33 (33.60)
14	1.43 (36.10)

HOW TO ORDER

Sample Part No.:

C 10 - 3 - 03 - 223 - G

Product Family

(C = .256 SIP)

Number of Pins

(4 through 14)

Circuit Type

(1, 3, 5)

Characteristic

Resistance Range

For Circuits 1 or 3, 2 digit Range and Digit Multiplier
 For Circuit 5, ratio of R1/R2

Tolerance (F = 1%, G = 2%, J = 5%)

For 1% tol. use 4 digit mil

When ordering R2R specify the value of R1

Characteristic

Code	Classification	TCR (ppm/°C)
01	Commercial Grade	±100
20	Commercial Grade	±200

*Manufactured in Japan

INTERNATIONAL RESISTIVE COMPANY, INC.

4222 South Staples Street, Corpus Christi, TX 78411 • 512-992-7900 • Fax: 512-992-2518