

PLEASE CHECK WWW.MOLEX.COM FOR LATEST PART INFORMATION

Part Number: [0875378819](#)

Status: **Active**

Description: 1.27mm (.050") Pitch EBBI™ 50D Receptacle, Through Hole, Right Angle, Blind Mate, with Beveled Metal Pin and Plastic Peg, 0.76µm (30µ") Gold (Au) Selective Plating, 68 Circuits, 1.70mm (.067) PC Tail Length, without Kapton Tape, Leadfree

Documents:

[3D Model](#)

[Drawing \(PDF\)](#)

[RoHS Certificate of Compliance \(PDF\)](#)

General

Product Family	PCB Receptacles
Series	87537
Application	Board-to-Board
Comments	Lubricant at the ContactZ-Height: 3.00mm (.118)
Product Name	EBBI™

Physical

Circuits (Loaded)	68
Color - Resin	Black
Durability (mating cycles max)	2,000
Glow-Wire Compliant	No
Guide to Mating Part	Yes
Lock to Mating Part	None
Material - Metal	Phosphor Bronze
Material - Plating Mating	Gold
Material - Plating Termination	Tin
Material - Resin	High Temperature Thermoplastic
Number of Rows	2
Orientation	Right Angle
PC Tail Length (in)	0.067 In
PC Tail Length (mm)	1.70 mm
PCB Locator	Yes
PCB Retention	Yes
PCB Thickness Recommended (in)	0.045 In
PCB Thickness Recommended (mm)	1.20 mm
Packaging Type	Tray
Pitch - Mating Interface (in)	0.050 In
Pitch - Mating Interface (mm)	1.27 mm
Plating min: Mating (µin)	30.4
Plating min: Mating (µm)	0.76
Plating min: Termination (µin)	101.6
Plating min: Termination (µm)	2.54
Polarized to Mating Part	Yes
Polarized to PCB	Yes
Surface Mount Compatible (SMC)	Yes
Temperature Range - Operating	-40°C to +105°C
Termination Interface: Style	Through Hole

Electrical

Current - Maximum per Contact	1A
Voltage - Maximum	30V

Solder Process Data

Duration at Max. Process Temperature (seconds)	5
--	---

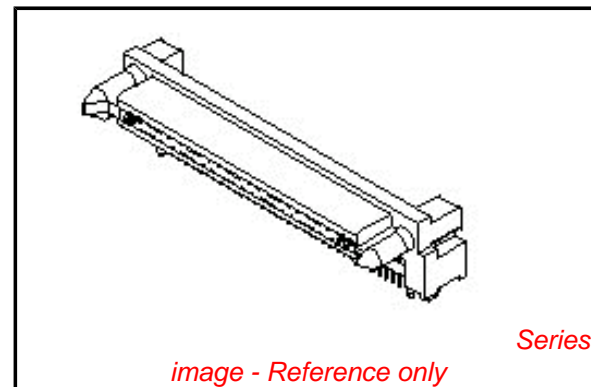


image - Reference only

EU RoHS

ELV and RoHS Compliant
REACH SVHC Contains SVHC: No
Halogen-Free Status

China RoHS



Not Reviewed

Need more information on product environmental compliance?

Email productcompliance@molex.com
For a multiple part number RoHS Certificate of Compliance, [click here](#)

Please visit the [Contact Us](#) section for any non-product compliance questions.

Search Parts in this Series

[87537Series](#)

Mates With

[71661 EBBI™ Right Angle Blind Mate Plug](#),
[EBBI™ Vertical Blind Mate Plug](#)

Lead-free Process Capability	SMC & Wave Capable (TH only)
Max. Cycles at Max. Process Temperature	1
Process Temperature max. C	265

Material Info

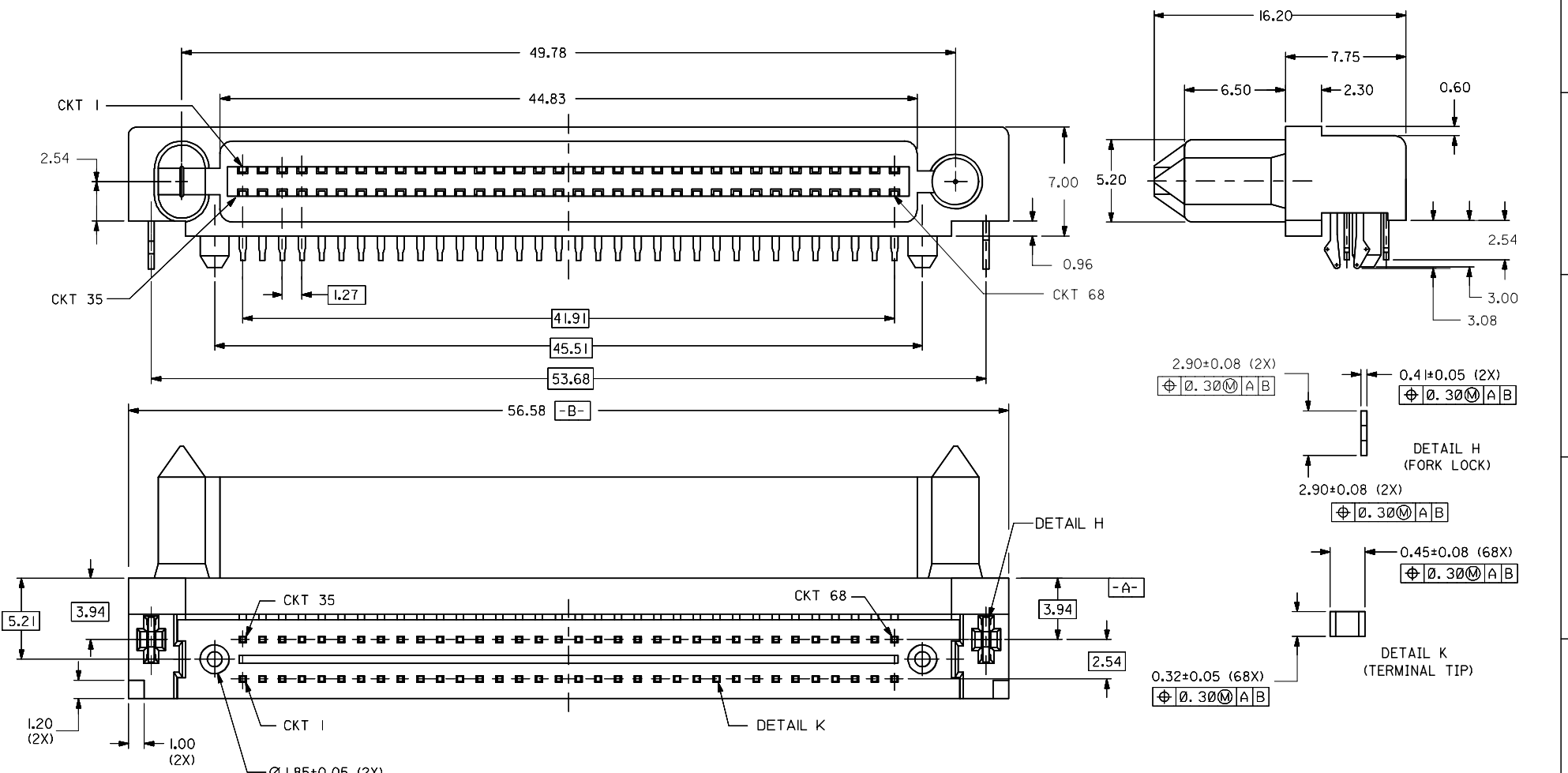
Reference - Drawing Numbers

Sales Drawing	SD-87537-002
---------------	--------------

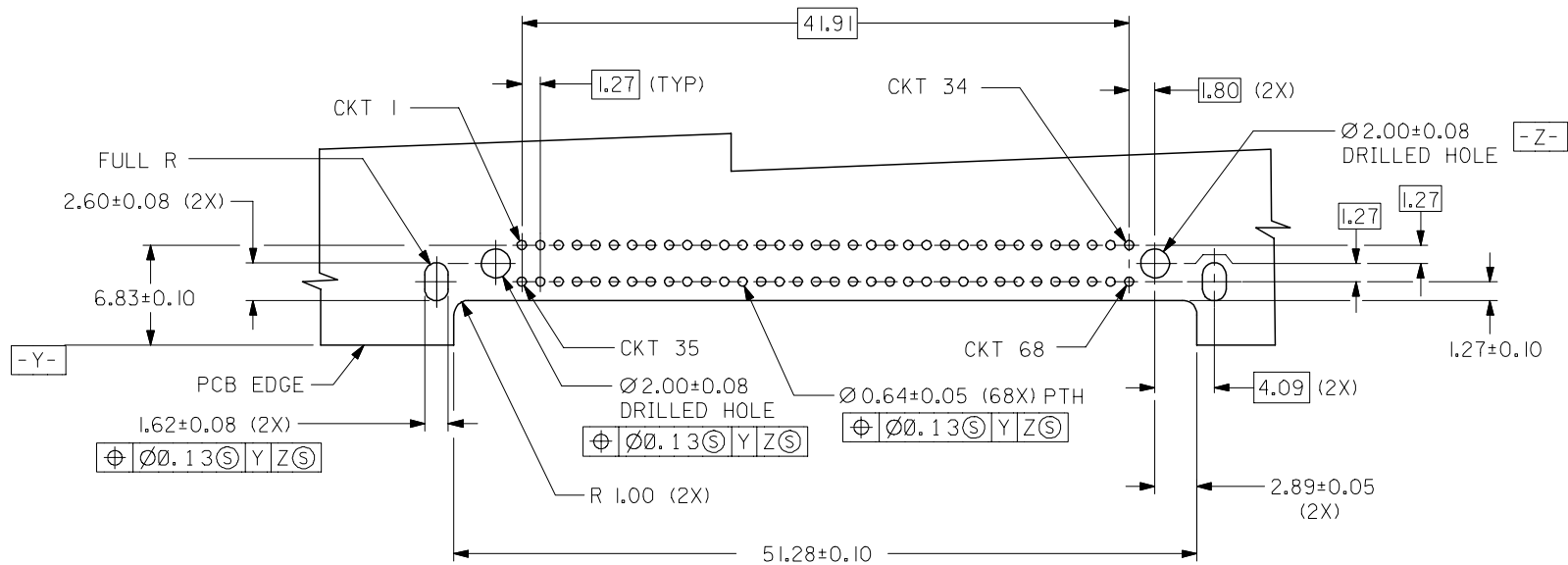
This document was generated on 03/18/2010

PLEASE CHECK WWW.MOLEX.COM FOR LATEST PART INFORMATION

10	9	8	7	6	5	4	3	2	1
PART NO. (PACKED IN CARTON)		CONTACTS LUBRICATION	CKT SIZE						
87537-8874 Δ		YES	68						
87537-8875		NO	68						





OBS TIN/LEAD P/N EC NO: S2006-0729 DRWN:MLONG CHKD:SHONG APPR:KCLING	REV DESCRIPTION	QUALITY SYMBOLS	GENERAL TOLERANCES (UNLESS SPECIFIED)	DIMENSION STYLE	SCALE	DESIGN UNITS	THIRD ANGLE PROJECTION	
		▽=0 ∇=0		MM ONLY	NTS	METRIC		
		4 PLACES ± --- ± --- 3 PLACES ± --- ± --- 2 PLACES ± 0.25 ± --- 1 PLACE ± --- ± ---		DRAWN BY KSEE	DATE 2003/01/22	TITLE		EBBI, RECEPTACLE, CONN. 1.27MM CTR, 68 CKTS, BTB B/MATE, 2.54MM HT., R/A
		ANGULAR ± 3 °		CHECKED BY KCLING	DATE 2003/02/20	APPROVED BY SKTOH		
		DRAFT WHERE APPLICABLE MUST REMAIN WITHIN DIMENSIONS	SEE TABLE	MATERIAL NO.	DOCUMENT NO.	SHEET NO.		
				SIZE A3	THIS DRAWING CONTAINS INFORMATION THAT IS PROPRIETARY TO MOLEX INCORPORATED AND SHOULD NOT BE USED WITHOUT WRITTEN PERMISSION			



RECOMMENDED PC BOARD LAYOUT 
COMPONENT SIDE

NOTES:

- 1 MATERIALS:
HOUSING- LCP, 30% GLASS FILLED, UL94V-0, BLACK.
TERMINALS- PHOSPHOR BRONZE.
- 2 PLATING:
0.76µM MIN. GOLD IN SELECTIVE CONTACT AREA AND,
2.54µM MIN. TIN IN SOLDER TAIL AREA, BOTH
OVER 1.27µM MIN. NICKEL.
-  3 RECOMMENDED P.C. BOARD THICKNESS IS 1.57+/-0.13MM.
- 4 CIRCUIT #58 TO BE RECESSED 0.50mm BEHIND
ALL OTHER CONTACTS.
-  5 PART IS LUBRICATED AT TERMINAL CONTACTS TO MINIMISE
UNMATE FORCE.

OBS TIN/LEAD P/N EC NO: S2006-0729 DRWN:MLONG 2006/02/27 CHKD:SHONG 2006/02/27 APPR:KCLING 2006/02/28	QUALITY SYMBOLS	GENERAL TOLERANCES (UNLESS SPECIFIED)		DIMENSION STYLE MM ONLY		SCALE NTS	DESIGN UNITS METRIC	THIRD ANGLE PROJECTION	
	▽=0 ∇=0	4 PLACES	± ---	± ---	DRAWN BY KSEE	DATE 2003/01/22	TITLE EBBI, RECEPTACLE, CONN. 1.27MM CTR, 68 CKTS, BTB B/MATE, 2.54MM HT., R/A		
		3 PLACES	± ---	± ---	CHECKED BY KCLING	DATE 2003/02/20			
		2 PLACES	± 0.25	± ---	APPROVED BY SKTOH	DATE 2003/02/20	MOLEX INCORPORATED		
	1 PLACE	± ---	± ---	MATERIAL NO.	DOCUMENT NO. SD-87537-030	SHEET NO. 2 OF 2			
		ANGULAR ± 3 °		DRAFT WHERE APPLICABLE MUST REMAIN WITHIN DIMENSIONS		SEE TABLE			
		THIS DRAWING CONTAINS INFORMATION THAT IS PROPRIETARY TO MOLEX INCORPORATED AND SHOULD NOT BE USED WITHOUT WRITTEN PERMISSION							