

PLEASE CHECK WWW.MOLEX.COM FOR LATEST PART INFORMATION

Part Number: **0714300016**
Status: **Active**
Description: 0.80mm (.031") Pitch Ultra+™ VHDCI Receptacle, Right Angle, 68 Circuits, PC Tail Length 2.71mm (.107"), Shield with Standard Ground Tabs, Screwlocks Loose in Bags

Documents:

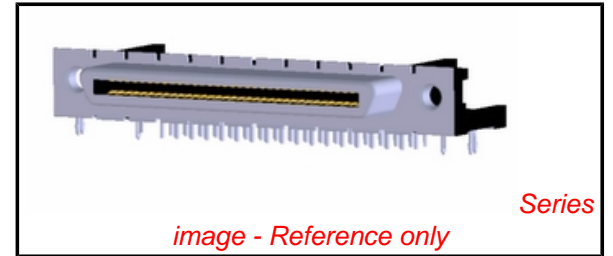
[3D Model](#) [Product Specification PS-71425-9999 \(PDF\)](#)
[Drawing \(PDF\)](#) [RoHS Certificate of Compliance \(PDF\)](#)

General

| | |
|----------------|--|
| Product Family | I/O Connectors |
| Series | 71430 |
| Application | Wire-to-Board |
| Comments | Shield with Standard Ground Tabs, Screwlocks Loose in Bags |
| Component Type | Receptacle |
| Product Name | SCSI+, VHDCI |
| Type | N/A |

Physical

| | |
|--------------------------------|--------------------------------|
| Boot Color | N/A |
| Circuits (Loaded) | 68 |
| Circuits (maximum) | 68 |
| Color - Resin | Black |
| Durability (mating cycles max) | 500 |
| Gender | Receptacle |
| Lock to Mating Part | Yes |
| Material - Metal | Steel |
| Material - Plating Mating | Gold |
| Material - Plating Termination | Tin |
| Material - Resin | High Temperature Thermoplastic |
| Number of Rows | 2 |
| Orientation | Right Angle |
| PC Tail Length (in) | 0.107 In |
| PC Tail Length (mm) | 2.71 mm |
| PCB Locator | Yes |
| PCB Retention | Yes |
| PCB Thickness Recommended (in) | 0.093 In |
| PCB Thickness Recommended (mm) | 2.36 mm |
| Packaging Type | Tube |
| Panel Mount | Yes |
| Pitch - Mating Interface (in) | 0.031 In |
| Pitch - Mating Interface (mm) | 0.80 mm |
| Pitch - Term. Interface (in) | 0.031 In |
| Pitch - Term. Interface (mm) | 0.80 mm |
| Plating min: Mating (µin) | 2 |
| Plating min: Mating (µm) | 0.05 |
| Plating min: Termination (µin) | 75 |
| Plating min: Termination (µm) | 1.90 |
| Polarized to Mating Part | Yes |
| Polarized to PCB | Yes |
| Ports | 1 |
| Surface Mount Compatible (SMC) | Yes |
| Temperature Range - Operating | -55°C to +85°C |
| Termination Interface: Style | Through Hole |
| Waterproof / Dustproof | No |



EU RoHS

RoHS Compliant by Exemption
REACH SVHC
 Not Reviewed
Halogen-Free Status
 Not Reviewed

China RoHS



Need more information on product environmental compliance?

Email productcompliance@molex.com
 For a multiple part number RoHS Certificate of Compliance, [click here](#)

Please visit the [Contact Us](#) section for any non-product compliance questions.

Search Parts in this Series

[71430Series](#)

Mates With

[71425 Ultra+™ VHDCI Plug Kit](#)

| | |
|-------------------------------|----------------------|
| Wire Size AWG | N/A |
| Electrical | |
| Current - Maximum per Contact | 0.5A |
| Shield Type | With Enhanced Shield |
| Shielded | Yes |
| Voltage - Maximum | 30V AC (RMS)/DC |

Solder Process Data

| | |
|--|------------------------|
| Duration at Max. Process Temperature (seconds) | 40 |
| Lead-free Process Capability | Wave Capable (TH only) |
| Max. Cycles at Max. Process Temperature | 3 |
| Process Temperature max. C | 245 |

Material Info

Reference - Drawing Numbers

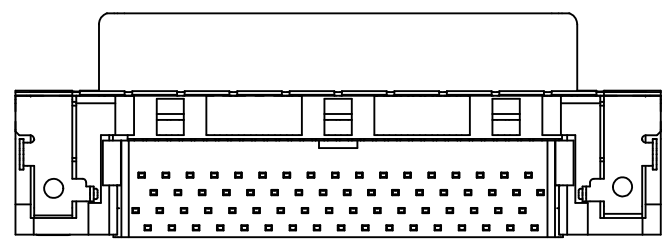
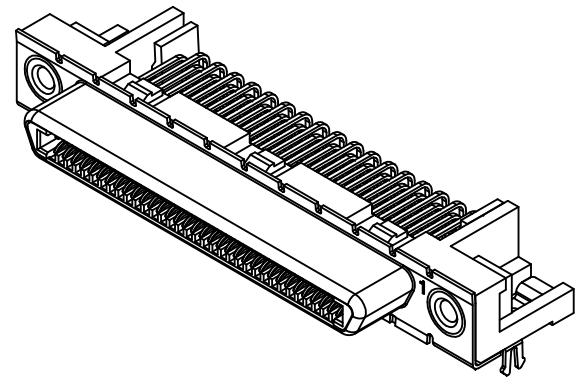
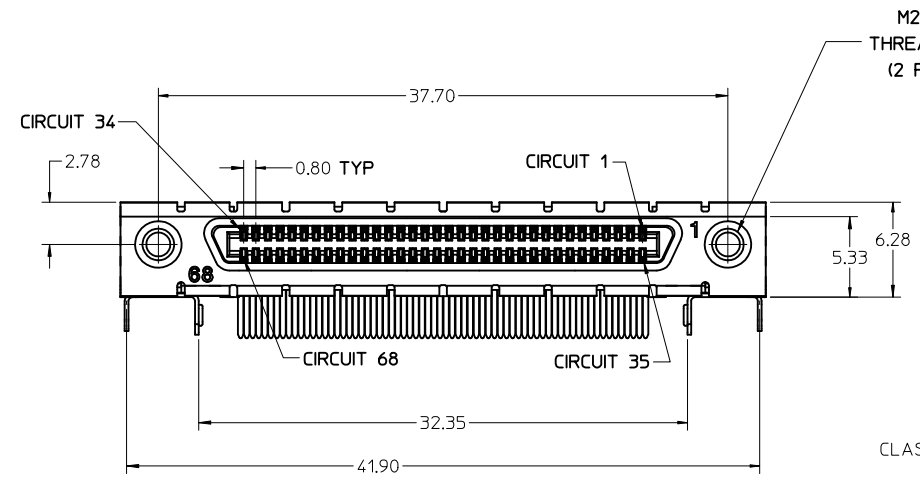
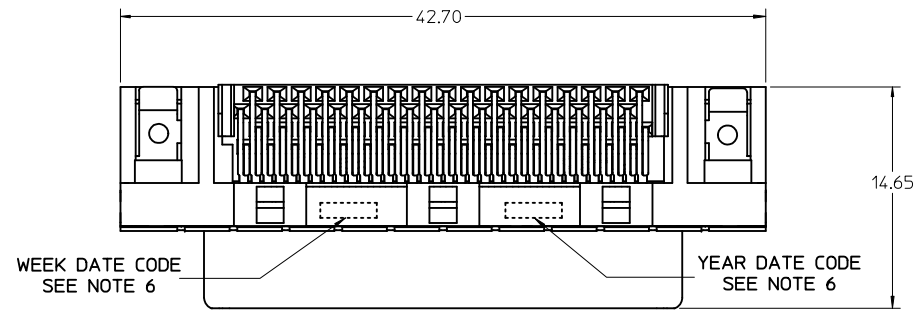
| | |
|-----------------------|---------------|
| Product Specification | PS-71425-9999 |
| Sales Drawing | SD-71430-015 |

This document was generated on 04/05/2010

PLEASE CHECK WWW.MOLEX.COM FOR LATEST PART INFORMATION

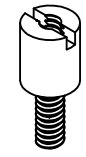
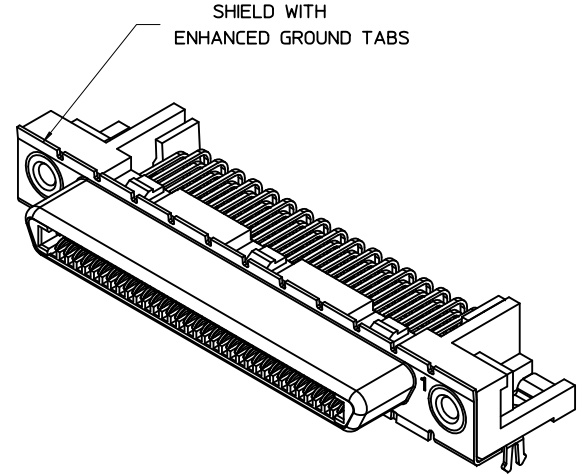
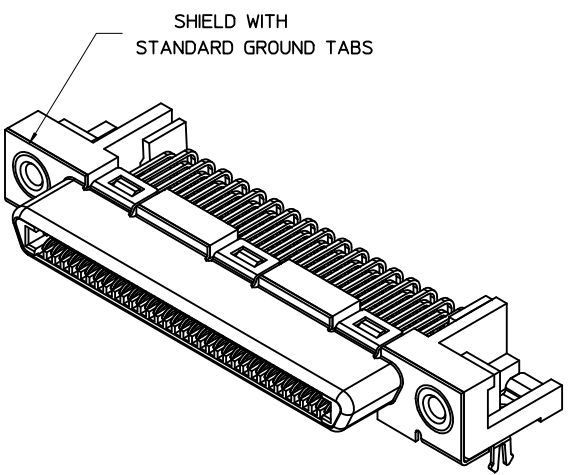
NOTES:

1. MATERIALS:
 HOUSING: HIGH TEMPERATURE THERMOPLASTIC, UL94 V-0, COLOR:BLACK
 TAIL ALIGNER: HIGH TEMPERATURE THERMOPLASTIC,
 TERMINAL: HIGH PERFORMANCE COPPER ALLOY
 BRACKET: BRASS
 SHELL: STEEL
 INSERT: BRASS
2. FINISHES:
 TERMINAL: 0.05-0.25 MICROMETERS GOLD FLASH IN CRITICAL AREA
 OVER 0.75 MICROMETERS MINIMUM PALLADIUM NICKEL IN
 CRITICAL AREA. 1.87 MICROMETERS MINIMUM TIN IN
 SOLDER TAIL AREA OVER 1.25 MICROMETERS MINIMUM NICKEL.
 BRACKET: 5.0 MICROMETERS BRIGHT TIN OVER 2.50 MICROMETERS COPPER.
 SHIELD: 3.8 MICROMETERS MINIMUM BRIGHT TIN OVER 1.3 MICROMETERS
 MINIMUM NICKEL OVER COPPER FLASH (OPTIONAL).
 INSERT: 2.54 MICROMETERS MINIMUM NICKEL.
3. PART PERFORMS TO MOLEX PRODUCT SPECIFICATION
 PS-71425-9999.
4. PACKAGE PER PK-71430-0101.
5. APPLICABLE STANDARDS: EIA-3652 AND SFF-8441.
6. DATE CODE: YR/WK PER EIA-476-A.
7. PRODUCT COMPLIES WITH COSMETIC SPECIFICATION PS-45499-002.
 SEE SIDE VIEW FOR SURFACE CLASSIFICATIONS.
8. TORQUE TO INSTALL SCREWLOCKS INTO THREADED INSERTS:
 0.34 Nm MAXIMUM.



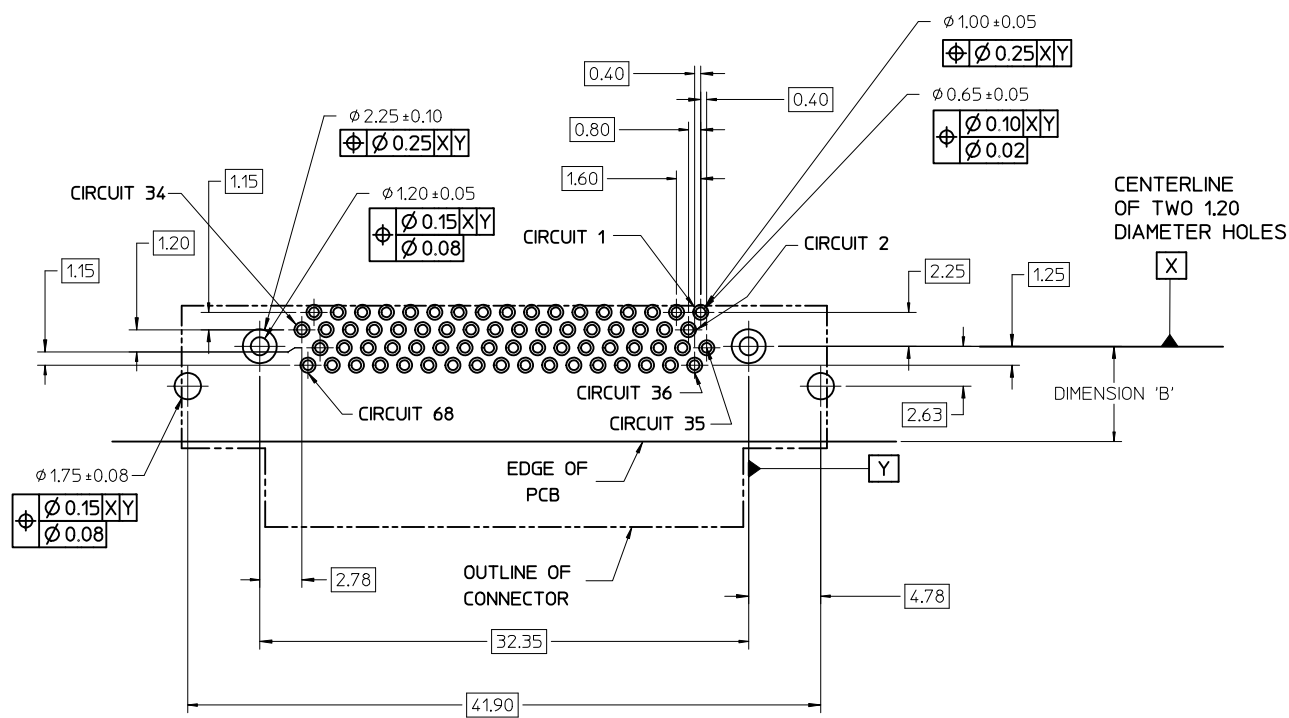
| CHANGE PACKAGING EC NO: UCP2010-1970 DRWN:MSIBARRA 2010/02/11 CHKD:BBARKER 11/15/2002 APPR:SMILLER 2010/04/20 | DESCRIPTION REV: | QUALITY SYMBOLS ▽=0 ▽=0 ▽=0 | GENERAL TOLERANCES (UNLESS SPECIFIED) <table border="1"> <thead> <tr> <th></th> <th>mm</th> <th>INCH</th> </tr> </thead> <tbody> <tr> <td>4 PLACES</td> <td>± ---</td> <td>± ---</td> </tr> <tr> <td>3 PLACES</td> <td>± ---</td> <td>± ---</td> </tr> <tr> <td>2 PLACES</td> <td>± 0.13</td> <td>± ---</td> </tr> <tr> <td>1 PLACE</td> <td>± 0.25</td> <td>± ---</td> </tr> </tbody> </table> ANGULAR ±1/2° | | mm | INCH | 4 PLACES | ± --- | ± --- | 3 PLACES | ± --- | ± --- | 2 PLACES | ± 0.13 | ± --- | 1 PLACE | ± 0.25 | ± --- | DIMENSION STYLE MM ONLY DRAWN BY DATE KSTILES 11/14/2002 CHECKED BY DATE KSTILES 11/15/2002 APPROVED BY DATE MBNAKIS 11/22/2002 | SCALE 4:1 TITLE VHDCl RIGHT ANGLE ASSEMBLY | DESIGN UNITS METRIC THIRD ANGLE PROJECTION | MATERIAL NO. SEE TABLE | DOCUMENT NO. SD-71430-015 | SHEET NO. 1 OF 3 |
|--|---------------------|--------------------------------------|--|---|----|------|----------|-------|-------|----------|-------|-------|----------|--------|-------|---------|--------|-------|---|--|--|----------------------------------|-------------------------------------|---------------------|
| | | | mm | INCH | | | | | | | | | | | | | | | | | | | | |
| | | 4 PLACES | ± --- | ± --- | | | | | | | | | | | | | | | | | | | | |
| | | 3 PLACES | ± --- | ± --- | | | | | | | | | | | | | | | | | | | | |
| 2 PLACES | ± 0.13 | ± --- | | | | | | | | | | | | | | | | | | | | | | |
| 1 PLACE | ± 0.25 | ± --- | | | | | | | | | | | | | | | | | | | | | | |
| DRAFT WHERE APPLICABLE MUST REMAIN WITHIN DIMENSIONS | | | SIZE C | THIS DRAWING CONTAINS INFORMATION THAT IS PROPRIETARY TO MOLEX INCORPORATED AND SHOULD NOT BE USED WITHOUT WRITTEN PERMISSION | | | | | | | | | | | | | | | | | | | | |
| MOLEX INCORPORATED | | | | | | | | | | | | | | | | | | | | | | | | |
| MOLEX | | | | | | | | | | | | | | | | | | | | | | | | |

| PCB THICKNESS | PART NUMBER | TAIL LENGTH 'T' | ENHANCED GROUND TABS | SCREWLOCKS | TAIL LOC. 'A' | HOLE LOCATION 'B' |
|---------------|-------------|-----------------|----------------------|---------------|---------------|-------------------|
| 1.60 | 71430-0101 | 2.08 | NO | NONE | 5.50 | 6.50 MAXIMUM |
| 1.60 | 71430-0007 | 2.08 | NO | LOOSE IN BAGS | | |
| 1.60 | 71430-0005 | 2.08 | YES | NONE | | |
| 1.60 | 71430-0008 | 2.08 | YES | LOOSE IN BAGS | | |
| 2.36 | 71430-0268 | 2.71 | NO | NONE | | |
| 2.36 | 71430-0006 | 2.71 | NO | INSTALLED | | |
| 2.36 | 71430-0004 | 2.71 | YES | NONE | | |
| 2.36 | 71430-0009 | 2.71 | YES | INSTALLED | | |
| 2.36 | 71430-0016 | 2.71 | NO | LOOSE IN BAGS | | |
| 2.36 | 71430-0019 | 2.71 | YES | LOOSE IN BAGS | | |
| 2.36 | 71430-0012 | 2.71 | YES | NONE | 5.30 | 6.30 MAXIMUM |
| 1.60 | 71430-0013 | 2.08 | YES | NONE | | |



OPTIONAL SCREWLOCK
PART NUMBER 71433-0002

| | | | | | | | | | | | |
|---|--------------------------------------|--|----------------------|-----------------------------------|----------------------|------------------------|------------------------|--|---|--|--|
| SEE SHEET 1 EC NO: UCP2010-1970 DRWN:MS BARRA 2010/02/11 CHKD:BBARKER 11/15/2002 APPR:SMILLER 2010/04/20 | QUALITY SYMBOLS ▽=0 ▽=0 ▽=0 | GENERAL TOLERANCES (UNLESS SPECIFIED) | | DIMENSION STYLE MM ONLY | | SCALE 4:1 | DESIGN UNITS METRIC | THIRD ANGLE PROJECTION | | | |
| | | 4 PLACES ± --- ± --- | 3 PLACES ± --- ± --- | 2 PLACES ± 0.13 ± --- | 1 PLACE ± 0.25 ± --- | DRAWN BY KSTILES | DATE 11/14/2002 | TITLE VHDCI RIGHT ANGLE ASSEMBLY | | | |
| | | ANGULAR ±1/2° | | | | CHECKED BY KSTILES | DATE 11/15/2002 | | | | |
| | | DRAFT WHERE APPLICABLE MUST REMAIN WITHIN DIMENSIONS | | | | APPROVED BY MBNAKIS | | DATE 11/22/2002 | MOLEX INCORPORATED DOCUMENT NO. SD-71430-015 | | |
| | | | | MATERIAL NO. | | SHEET NO. | | | | | |
| | | | | SEE TABLE | | 2 OF 3 | | | | | |
| THIS DRAWING CONTAINS INFORMATION THAT IS PROPRIETARY TO MOLEX INCORPORATED AND SHOULD NOT BE USED WITHOUT WRITTEN PERMISSION | | | | | | | | | | | |



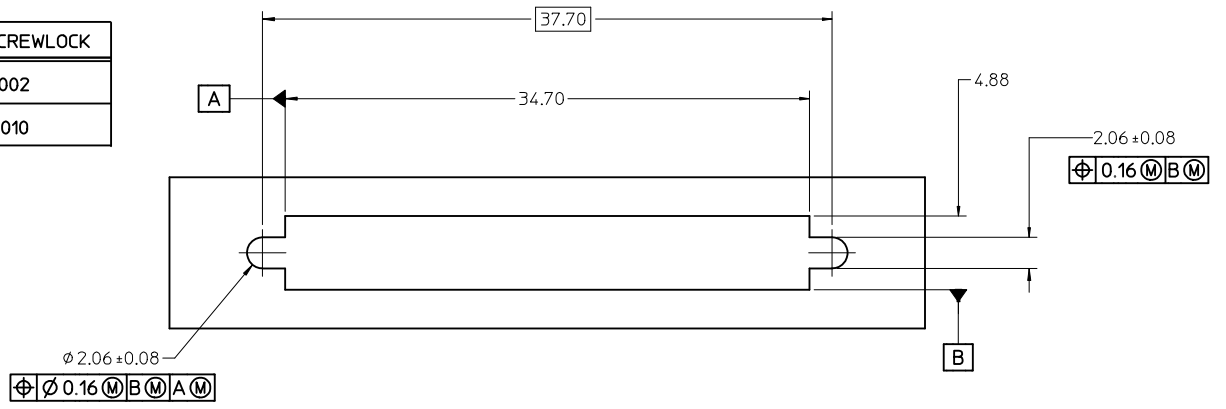
NOTES:

1. FOR FULL MATE WITH PLUG, PANEL THICKNESS SHOULD NOT EXCEED 1.0mm.

FUNCTIONAL MATING WITH MOLEX PLUG CAN STILL BE MAINTAINED WITH PANELS AS THICK AS 2.5mm (BUT PLUG AND RECEPTACLE WILL NOT BE FULLY MATED).

2. GUIDELINES FOR CHOOSING A MOLEX SCREWLOCK:

| PANEL THICKNESS | RECOMMENDED SCREWLOCK |
|-------------------------------|-----------------------|
| LESS THAN OR EQUAL TO 1.00 MM | 71433-0002 |
| 1.01 TO 2.15 MM | 71433-0010 |



| | | | | | | | | | | | |
|--|--------------------------------------|--|----------------------|----------------------------|----------------------|---------------------------|------------------------------|-------------------------------------|--|--|--|
| SEE SHEET 1 EC NO: UCP2010-1970 DRWN:MS BARRA 2010/02/11 CHKD:BBARKER 11/15/2002 APPR:SMILLER 2010/04/20 | QUALITY SYMBOLS ▽=0 ▽=0 ▽=0 | GENERAL TOLERANCES (UNLESS SPECIFIED) | | DIMENSION STYLE MM ONLY | | SCALE 4:1 | DESIGN UNITS METRIC | THIRD ANGLE PROJECTION | | | |
| | | 4 PLACES ± --- ± --- | 3 PLACES ± --- ± --- | 2 PLACES ± 0.13 ± --- | 1 PLACE ± 0.25 ± --- | DRAWN BY KSTILES | DATE 11/14/2002 | TITLE VHDCI RIGHT ANGLE ASSEMBLY | | | |
| | | ANGULAR ± 1/2° | | | | APPROVED BY MBNAKIS | DATE 11/22/2002 | MOLEX INCORPORATED | | | |
| | | DRAFT WHERE APPLICABLE MUST REMAIN WITHIN DIMENSIONS | | | | MATERIAL NO. SEE TABLE | DOCUMENT NO. SD-71430-015 | SHEET NO. 3 OF 3 | | | |

THIS DRAWING CONTAINS INFORMATION THAT IS PROPRIETARY TO MOLEX INCORPORATED AND SHOULD NOT BE USED WITHOUT WRITTEN PERMISSION