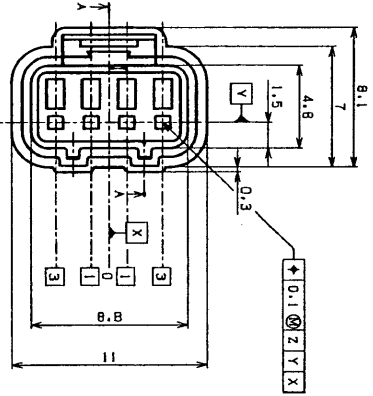
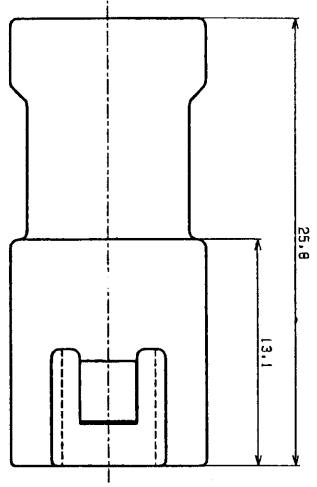
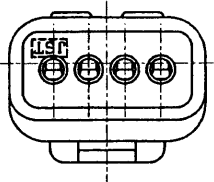
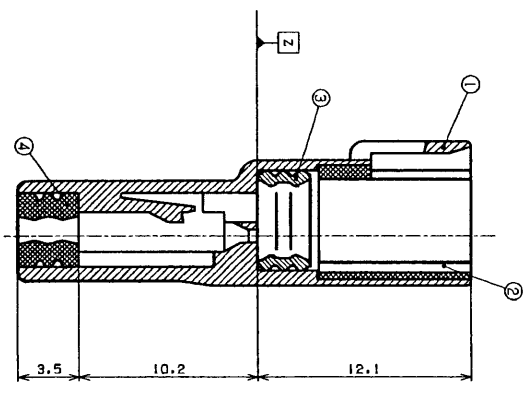
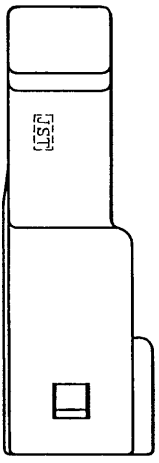
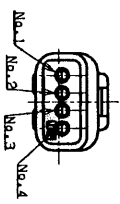


3849855.

REV	DESCRIPTION	DATE	DESIGNED
-2	Drawing Renewal	Dec.26, 2000	K. Yusa



NOTE
 1. Unless otherwise specified, tolerances are
 MIL-STD-208
 2. Location of circuit number



Section A-A

J.S.T. (U.K.) LTD.
08 AUG 2001
TECH-SALES
SUPPORT

UNCONTROLLED ISSUE

H

G

F

E

D

C

B

A

1 2 3 4 5 6 7 8 9 10 11 12

THIS DRAWING CONTAINS INFORMATION THAT IS PROPRIETARY TO J.S.T. AND SHOULD NOT BE USED WITHOUT WRITTEN PERMISSION.

No.	PART NAME	QTY	UNIT	SCALE	PROJECTION	DATE	REMARKS
4	Seal Rubber Piece	SI (Light Blue)					
3	Seal Ring	SI (Blue)					
2	Seal Ring Holder	PBT (Yellow)					
1	TAB HOUSING	PBT (Natural)					
MATERIAL: SURFACE FINISH: REMARKS:							
No. 1 UNIT SCALE PROJECTION DATE							
A2 METRIC 1:1 DEF. 26, 2000							
APPROVED: ORDERED: DRAWN: CHECKED:							
A. Tsubota K. Yusa							
IST J.S.T. MFG. CO., LTD.							
PART: QLT-JMPP-VCL-2-S							
DRAWING No. KR0-25219-2							
RD							

EC4113-2

COVER SHEET FOR
JWPF RANGE.

New Product

JST



Compact water-proof wire-to-wire connector, with the use of the 025 terminals and the solid wire-sealing rubber.

Double-leaf construction

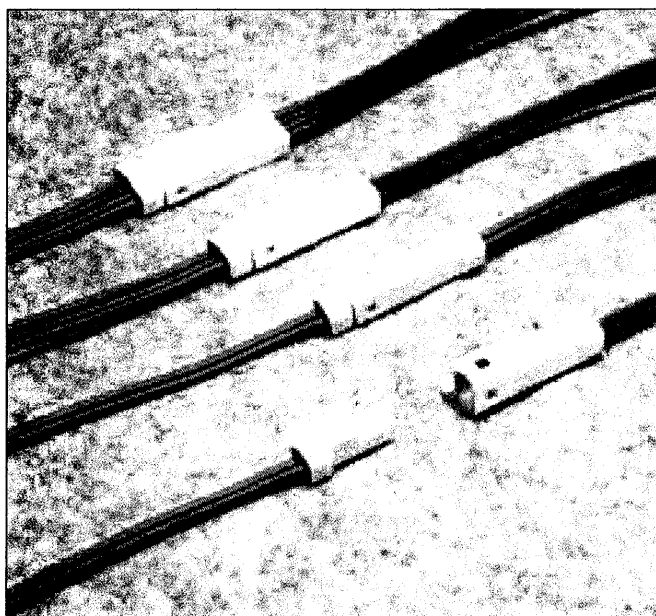
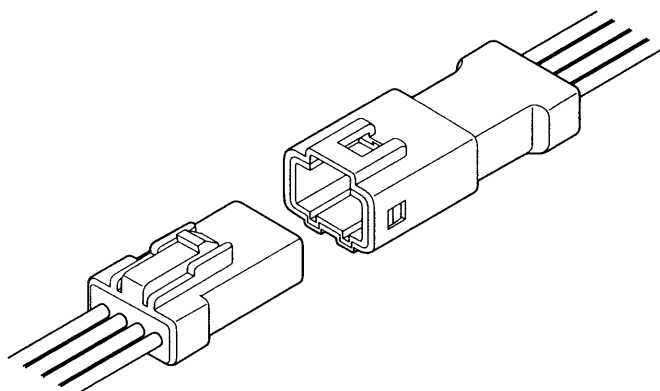
Superior contact performance is provided by the double-leaf construction, consisting of the main leaf and the assist leaf.

Housing lances

The contact retention lances on the resilient housing allow the confirmation of contact lock-in for easy and secure insertion.

Inter-housing lock

This inter-housing lock secures the plug to the receptacle and prevents accidental disconnection. The lock protected and is not affected by external forces that might result from the routing of wires.



■ Specifications

- Current rating : 3.0A AC, DC
- Voltage rating : 100 V AC, DC
- Temperature : - 25 °C ~ + 85 °C (including temperature range rise in applying electrical current)
- Wires applicable : AWG #26 ~ #22
Insulation O.D. : 1.4 ~ 1.74 mm dia
- No. of circuits : 2 ~ 4 circuits

J.S.T. MFG. CO., LTD.

(URL) <http://www.jst-mfg.com>

Sales offices
Utsunomiya, Yokohama, Hachioji, Nagano, Aichi, Osaka, Kurayoshi, Hiroshima, Fukuoka in Japan and Belgium, Spain, U.K., Germany, France, Italy, U.S.A., Singapore, Thailand, Malaysia, China (Hong Kong, Shanghai), Taiwan, Korea, Australia

Engineering Centers
Osaka, Yokohama, Nagoya, Tsuyama, Kurayoshi in Japan and U.S.A., U.K., Singapore

Plants
Nishi - Kurayoshi, Kurayoshi, Misasa, In-no-sho, Tsuyama, Utsunomiya, Ooda, Oohara, Urayasu in Japan and Belgium, France, U.S.A., Indonesia

00.10-3