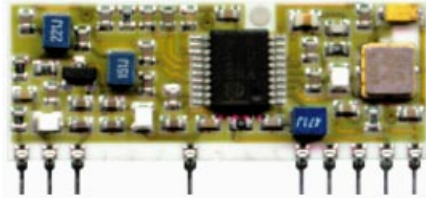


# RRF1-XXX-Y

## FSK Superhet Receiver



### General description

The RRF1-XXX is an FSK superhet data receiver with pre-Amplifier front end filter.

IF Frequency: 1 MHz

Typical sensitivity: -90 dBm

Supply current: 5.5 mA (typ)

Up to 250 meters range with RTF2-XXX transmitter.

### I-ETS 300-220 Compliance

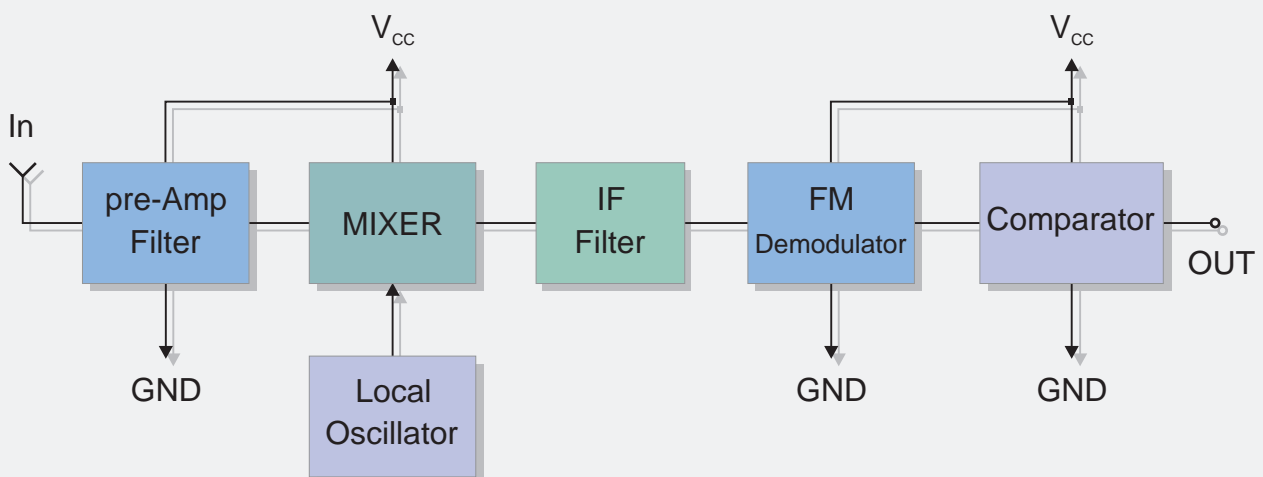
**XXX:** custom-specified working frequency  
(315, 418, 433.92 MHz)

**Y :** Bit rate specification  
A: 2.4Kbps    B: 4.8Kbps    C: 9.6Kbps

### Applications

- Wireless security systems
- Car Alarm systems
- Remote gate controls
- Sensor reporting

### BLOCK DIAGRAM



## Electrical Characteristics

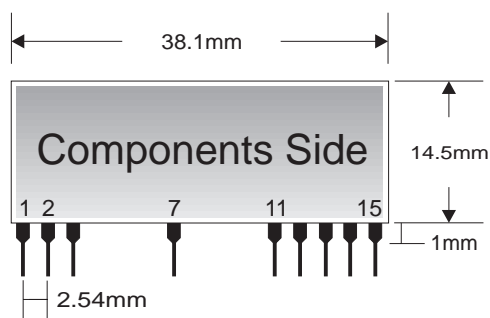
Ta = 25°C unless otherwise specified

CHARACTERISTICS		MIN	TYP	MAX	UNIT
V <sub>CC</sub>	Supply Voltage	3.5	5	5.5	VDC
I <sub>S</sub>	Supply Current		5.5	6	mA
	RF Sensitivity		A version: 2.4 Kbps B version: 4.8 Kbps C version: 9.6 Kbps		dBm
	Frequency Deviation		±25		KHz
B <sub>w</sub>	-3dB Bandwidth		±400		KHz
	Level of Emitted Spectrum		-70	-65	dBm
V <sub>ol</sub>	Low-Level Output Voltage (I=-200uA)			0.6	V
V <sub>oh</sub>	High-Level Output Voltage (I=10uA)	V <sub>CC</sub> - 0.5			V
T <sub>OP</sub>	Operating Temperature Range	-25		+80	°C

## Pin Description

1	V <sub>CC</sub>	12	NC
2	GND	13	NC
3	IN	14	OUT
7	GND	15	V <sub>CC</sub>
11	GND		

## Mechanical Dimensions



## TYPICAL APPLICATION

