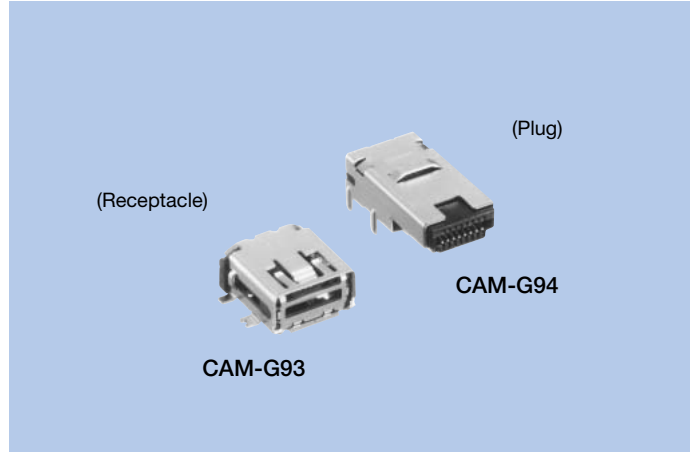


Interface Connectors for Cradle

CAM-G93, G94

FEATURES

1. Developed for connection of portable equipment with cradles.
2. 16-pole specification, with 8 poles arranged in two rows at an 0.5 mm pitch.
3. Provided with shutter cover to prevent dust and electrostatic discharge on the receptacle side. (G93)
4. It is generated when plugs are united with the receptacle, and there is a mechanism that absorbs shaking (length and side).
5. SMT-compatible.
6. Gold-plated shield case.



HOW TO ORDER

1.CAM-G93

G93-016-21 0-A G G M-H
 1 2 3 4 5 6 7 8 9

- 1 Series No. (G93)
- 2 No. of contacts (016 : 16pins)
- 3 Housing material (21 : LCP resin)
- 4 UL grade (H : UL94V-0)
- 5 Contact plating (A : Gold)
- 6 Contact plating thickness (G : 0.3µm)
- 7 Contact read style (G : Angle)
- 8 Coupling side accessories (M : Shield Case)
- 9 Board side accessories (H : Wing)

2.CAM-G94

G94-016-05 0-A G G M-H
 1 2 3 4 5 6 7 8 9

- 1 Series No. (G94)
- 2 No. of contacts (016 : 16pins)
- 3 Housing material (05 : 46 Nylon resin)
- 4 UL grade (H : UL94V-0)
- 5 Contact plating (A : Gold)
- 6 Contact plating thickness (G : 0.3µm)
- 7 Contact read style (G : Angle)
- 8 Coupling side accessories (M : Shield Case)
- 9 Board side accessories (H : Wing)

SPECIFICATIONS

ELECTRICAL CHARACTERISTICS

Maximum allowable Voltage	30V
Maximum allowable current	0.5A
Withstanding Voltage	125V AC (rms) 1minute
Insulation Resistance	10MΩ min. (Initial 150V DC)
Contact Resistance	50mΩ max.

MECHANICAL CHARACTERISTICS

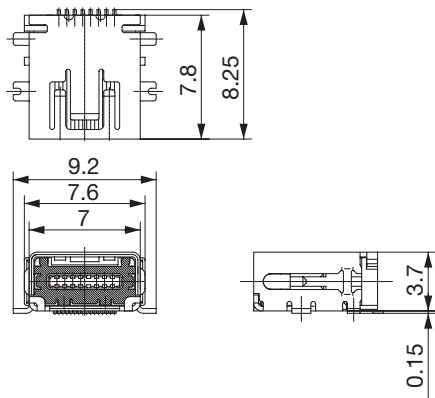
Life (Matching Cycle)	5,000 times.
Total Insertion Force	39.2N (4kgf) max.
Eject Force	19.6N (2kgf) max.
Using Temperature Range	-20°C~60°C

MATERIAL & FINISH

Component Parts		Material	Finish
CAM-G93	Housing	LCP resin	(Black)
	Contact	Copper Alloy	Gold plating
	Shielded Case	Copper Alloy	Gold plating
	Shutter Housing	LCP resin	(Black)
	Shutter Shielded	SUS	—
	Coil Spring	Piano wire	—
CAM-G94	Housing	46 Nylon resin	(Black)
	Contact	Copper Alloy	Gold plating
	Shielded Case	Copper Alloy	Gold plating

DIMENSIONS

CAM-G93



CAM-G94

