

TOLERANCE UNLESS SPECIFIED = .XXX = +/- .005 .XX = +/- .015 FRACTIONS = +/- .032

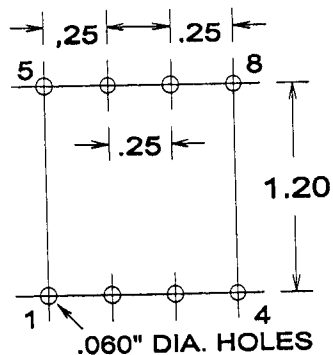
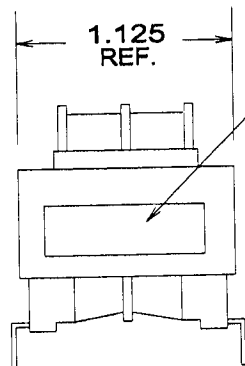
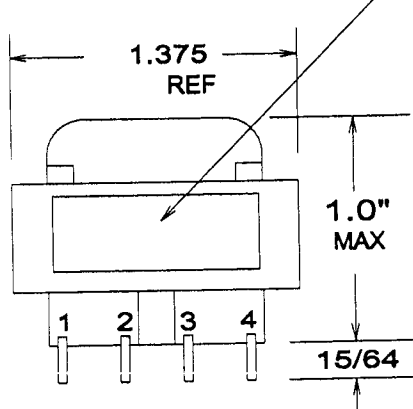
PRODUCTION TESTS

FS28-040.DC2

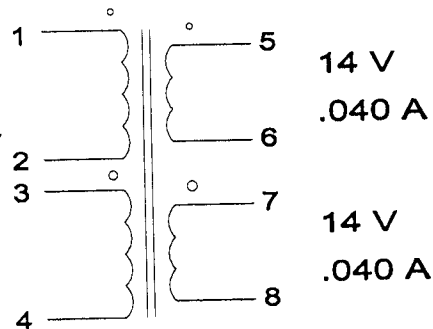
YYWW = YEAR, WEEK
XXX = SITECODE

PC FS28-040
CLASS B **RAI** US

EIA-17-YYWW
XXX B10



115/230 V
50/60 HZ



5 14 V
6 .040 A
7 14 V
8 .040 A

Turns Ratio = 100%

DC RESISTANCE IN OHMS	1-2 = 1900 MAX
	3-4 = 2650 MAX
	5-6 = 55. NOM
	7-8 = 72 NOM

MAX EXCITATION CURRENT = 0.005 A
APPLY = 230V 60 HZ, 1-4, TIE 2+3

OPEN CIRCUIT VOLTAGE TEST:

230V 60 HZ, 1-4, TIE 2+3

1-2 = 114.1 TO 115.1V

3-4 = 114.9 TO 115.9V

EACH SEC = 18.4 TO 19.4 V

HIPOT: 2500V PRI'S TO SEC'S

1500V PRI'S, SEC'S TO CORE

500V P-P, S-S

CONTINUITY: 100% PRI

IMPREGNATION NOTES = 2 HOUR PREHEAT
PINS MUST BE FREE OF IMPREG.

FINAL ASSEMBLY NOTES

METHOD 1 X 1, KEEPER (1)
KEEPER OPPOSITE PIN SIDE

MARKING

SEE LABEL DETAIL ABOVE



PART NO.: FS28-040