

**PLEASE CHECK WWW.MOLEX.COM FOR LATEST PART INFORMATION**

**Part Number:** [0524372671](#)  
**Status:** **Active**  
**Overview:**  
**Description:** 0.50mm (.020") Pitch FFC/FPC Connector, Right Angle, SMT, ZIF, Bottom Contact Style, 26 Circuits, Gold Contact Plating

**Agency Certification**

UL E29179

**General**

Product Family FFC/FPC Connectors  
 Series 52437  
 Overview ffc\_fpc\_smt  
 Product Name N/A

**Physical**

Circuits (Loaded) 26  
 Color - Resin Natural  
 Contact Position Bottom  
 Durability (mating cycles max) 20  
 Entry Angle 90° Angle  
 Flammability 94V-0  
 Material - Metal Phosphor Bronze  
 Material - Plating Mating Gold  
 Material - Plating Termination Gold  
 Material - Resin High Temperature Thermoplastic  
 Number of Rows 1  
 Orientation Right Angle  
 PCB Locator No  
 PCB Retention None  
 Packaging Type Embossed Tape on Reel  
 Pitch - Mating Interface (in) 0.020 In  
 Pitch - Mating Interface (mm) 0.50 mm  
 Plating min: Mating (µin) 4  
 Plating min: Mating (µm) 0.1  
 Plating min: Termination (µin) 2  
 Plating min: Termination (µm) 0.05  
 Polarized to PCB Yes  
 Stackable No  
 Surface Mount Compatible (SMC) N/A  
 Temperature Range - Operating -40°C to +85°C  
 Termination Interface: Style Surface Mount  
 Wire/Cable Type FFC/FPC

**Electrical**

Current - Maximum per Contact 0.5A  
 Voltage - Maximum 50V

**Material Info**

**Reference - Drawing Numbers**

Packaging Specification SPK-52437-001  
 Product Specification PS-52437-027, RPS-52437-040, RPS-52437-041, RPS-52437-042, RPS-52437-043, RPS-52437-045, RPS-52437-046  
 Sales Drawing SD-52437-019, SD-52437-020

**EU RoHS**  
**ELV and RoHS**  
**Compliant**  
**REACH SVHC**  
 Not Reviewed  
**Halogen-Free**  
**Status**  
**Not Reviewed**

**China RoHS**



**Need more information on product environmental compliance?**

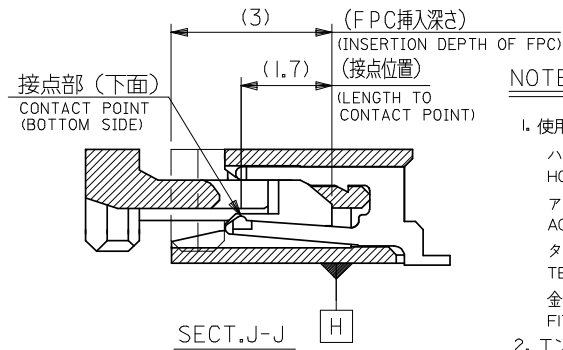
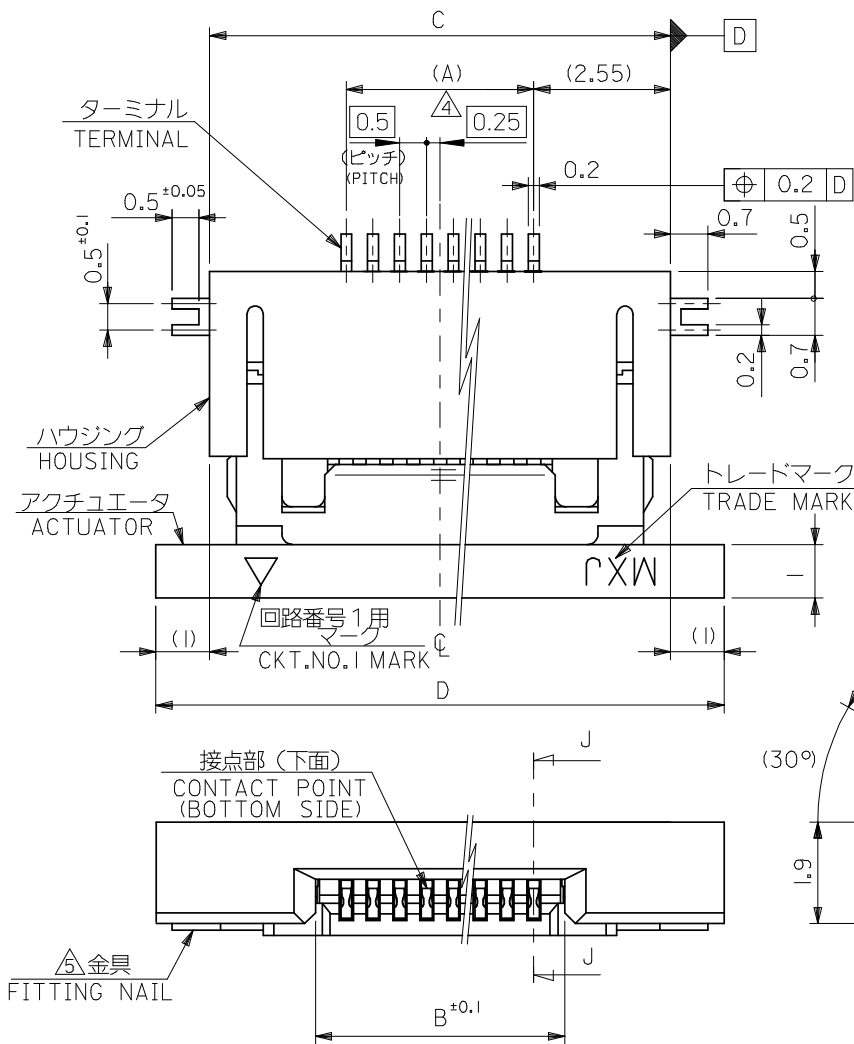
Email [productcompliance@molex.com](mailto:productcompliance@molex.com)  
 For a multiple part number RoHS Certificate of Compliance, [click here](#)

Please visit the [Contact Us](#) section for any non-product compliance questions.

**Search Parts in this Series**  
[52437Series](#)

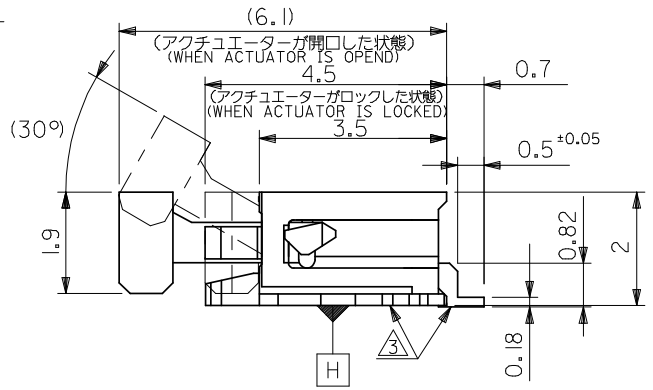
This document was generated on 06/04/2010

**PLEASE CHECK [WWW.MOLEX.COM](http://WWW.MOLEX.COM) FOR LATEST PART INFORMATION**



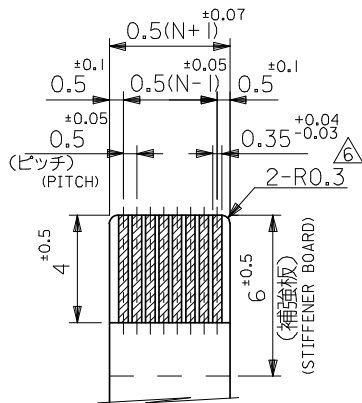
**NOTES**

1. 使用材料 : MATERIAL
  - ハウジング : 46ナイロン, UL94V-0  
HOUSING : 46NYLON
  - アクチュエータ : PPS, UL94V-0  
ACTUATOR
  - ターミナル : リン青銅, 金メッキ (t=0.2)  
TERMINAL : PHOS-BRO. GOLD PLATED
  - 金具 : リン青銅, 錫メッキ (t=0.2)  
FITTING NAIL : PHOS-BRO. TIN PLATED
2. エンボステープ梱包時は、アクチュエータがロックした状態とする。  
IN THE PACKAGE, ACTUATOR OF PART NO.52437-\*\*\*26 SHOULD BE LOCKED.
- △ ソルダータール半田付け面のズレ量、及び金具半田付け面のズレ量は、基準面 H に対し上方向 0.1 MAX., 下方向 0.15MAX.とする。  
MISALIGNMENT OF SOLDER TAILS AND FITTING NAILS FROM H UPPER DIRECTION: 0.1 MAX., LOWER DIRECTION: 0.15MAX.
- △ 偶数極に適用。  
APPLY FOR EVEN CIRCUIT.
- △ ノパターンはくり止め用金具。  
FITTING NAIL FOR PREVENTION OF PEELING OF P.C.B. PATTERN.
- △ RO.3は、FPCの導体部にかからないこと。  
RO.3 MUST NOT BE OVERLAPPED TO PATTERN OF FPC.
7. 本製品は52437シリーズの鉛フリー品、金メッキ品である。  
THIS PRODUCT IS LEAD FREE AND GOLD PLATED OF 52437 S SERIES.
8. ソルダータールの平坦度は、0.1 MAXIMUMとする。  
SOLDER TAIL COPLANARITY IS 0.1 MAXIMUM.

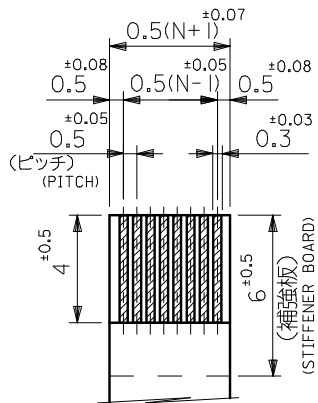


MODEL NO. 52437-\*\*\*29

REVISED EC NO: J2008-4048 DRWN: WABEI CH'KD: THARUYAMA APPR: NUKITA 2008/06/13 2008/06/16 2008/06/16	GENERAL TOLERANCES (UNLESS SPECIFIED)		DIMENSION STYLE MM ONLY		SCALE ---	DESIGN UNITS METRIC	THIRD ANGLE PROJECTION	
	10 UNDER	±0.2	DRAWN BY M.UMEDA	DATE 2004/12/08	TITLE <b>0.5 FPC CONN.ZIF FOR SMT.RA (BOTTOM CONTACT) -LEAD FREE-</b> <b>MOLEX INCORPORATED</b>			
	10 OVER 30 UNDER	±0.25	CHECKED BY K.TOYOTA	DATE 2004/12/08				
	30 OVER	±0.3	APPROVED BY N.UKITA	DATE 2004/12/08				
	ANGULAR ±3 °		MATERIAL NO. SEE SHEET 2		DOCUMENT NO. SD-52437-019		SHEET NO. 1 OF 2	
	DRAFT WHERE APPLICABLE MUST REMAIN WITHIN DIMENSIONS		THIS DRAWING CONTAINS INFORMATION THAT IS PROPRIETARY TO MOLEX INCORPORATED AND SHOULD NOT BE USED WITHOUT WRITTEN PERMISSION					
REV		SIZE A3						



適合FPC推奨寸法  
APPLICABLE FPC  
RECOMMENDED DIMENSION.  
(仕上がり厚さ:  $0.3 \pm 0.05$ )  
(THICKNESS:  $0.3 \pm 0.05$ )



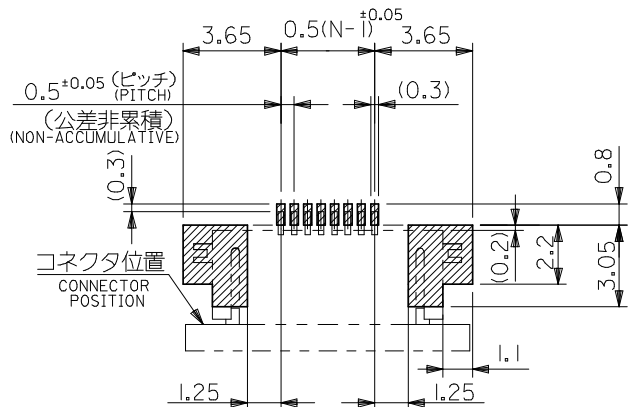
適合FFC推奨寸法  
APPLICABLE FFC  
RECOMMENDED DIMENSION.  
(仕上がり厚さ:  $0.3 \pm 0.05$ )  
(THICKNESS:  $0.3 \pm 0.05$ )

FPCについて:

打抜き方向は導体側から補強板側を推奨致します。  
補強フィルム材質はポリイミドを推奨致します。  
接着剤は熱硬化接着剤を推奨致します。

ABOUT FPC:

RECOMMENDED PUNCHER DIRECTION :  
FROM CONDUCTOR SIDE TO STIFFENER BOARD SIDE.  
RECOMMENDED MATERIAL:  
STIFFENER FILM : POLYIMIDE  
BONDING AGENT : THERMOSETTING BONDING AGENT



参考基板レイアウト  
(マウント面)  
RECOMMENDED P.C. BOARD  
PATTERN DIMENSION (REF.)  
(MOUNTING SIDE)

21.6	19.6	15.65	14.5	52437-3071	52437-3029	30
21.1	19.1	15.15	14.0	52437-2971	52437-2929	29
20.6	18.6	14.65	13.5	52437-2871	52437-2829	28
20.1	18.1	14.15	13.0	52437-2771	52437-2729	27
19.6	17.6	13.65	12.5	52437-2671	52437-2629	26
19.1	17.1	13.15	12.0	52437-2571	52437-2529	25
18.6	16.6	12.65	11.5	52437-2471	52437-2429	24
18.1	16.1	12.15	11.0	52437-2371	52437-2329	23
17.6	15.6	11.65	10.5	52437-2271	52437-2229	22
17.1	15.1	11.15	10.0	52437-2171	52437-2129	21
16.6	14.6	10.65	9.5	52437-2071	52437-2029	20
13.6	11.6	7.65	6.5	52437-1471	52437-1429	14
12.6	10.6	6.65	5.5	52437-1271	52437-1229	12
D	C	B	(A)	EMBOSSED TAPE	MATERIAL NO.	極数
				ORDER No. オーダー番号	MODEL NO. 52437-**29	CKT.

REVISED EC NO: J2008-4048 2008/06/13 DRWN:WABEI 2008/06/16 CH'KD:THARUYAMA 2008/06/16 APPR:NUKITA	GENERAL TOLERANCES (UNLESS SPECIFIED)		DIMENSION STYLE MM ONLY		SCALE ---	DESIGN UNITS METRIC	THIRD ANGLE PROJECTION
	10 UNDER	± 0.2	DRAWN BY M.UMEDA	DATE 2004/12/08	TITLE 0.5 FPC CONN.ZIF FOR SMT.RA (BOTTOM CONTACT) -LEAD FREE-		
	10 OVER 30 UNDER	± 0.25	CHECKED BY K.TOYOTA	DATE 2004/12/08			
	30 OVER	± 0.3	APPROVED BY N.UKITA	DATE 2004/12/08	MOLEX INCORPORATED MATERIAL NO. DOCUMENT NO. SD-52437-019 SHEET NO. 2 OF 2		
	ANGULAR	± 3 °	MATERIAL NO.				
DRAFT WHERE APPLICABLE MUST REMAIN WITHIN DIMENSIONS		SEE TABLE		THIS DRAWING CONTAINS INFORMATION THAT IS PROPRIETARY TO MOLEX INCORPORATED AND SHOULD NOT BE USED WITHOUT WRITTEN PERMISSION			

F

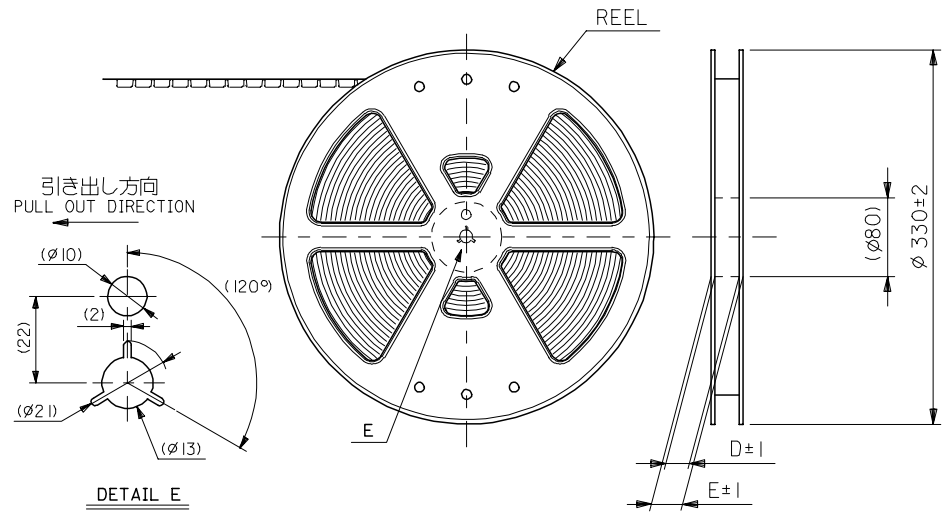
E

D

C

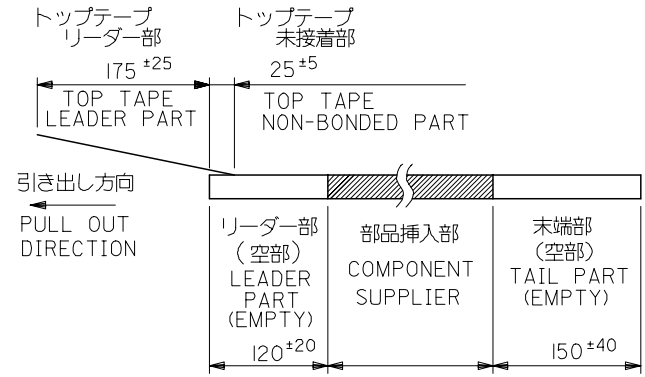
B

A



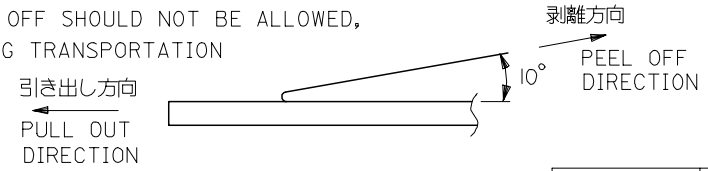
注記 NOTES

- 製品番号52437-\*\*\*29の梱包状態はアクチュエータがロックした状態とする。  
製品の詳細寸法については図面SD-52437-019を参照下さい。  
IN THE PACKAGE, ACTUATOR OF PART NO. 52437-\*\*\*29 SHOULD BE LOCKED RE DETAILED DIMENSIONS, SEE SD-52437-019.
- 梱包数量：1000個/リール  
NUMBER OF CONNECTORS:1000PCS/REEL
- リードテープ長さ LEAD TAPE LENGTH



- 材料 (MATERIAL)  
キャリアテープ (CARRIER TAPE) :ポリプロピレン (POLYPROPYLENE)  
トップテープ (TOPTAPE) : PET, PE, PE  
リール (REEL) : ポリスチレン (PS) <リサイクル材を含む>  
POLYSTYREN (PS) <RECYCLE MATERIAL CONTAINED>
- 本製品は 52437-\*\*\*91 の鉛フリー品である。  
THIS PRODUCT IS LEAD FREE OF 52437-\*\*\*91.

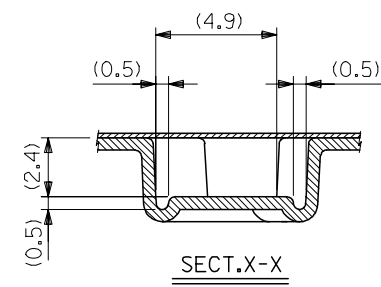
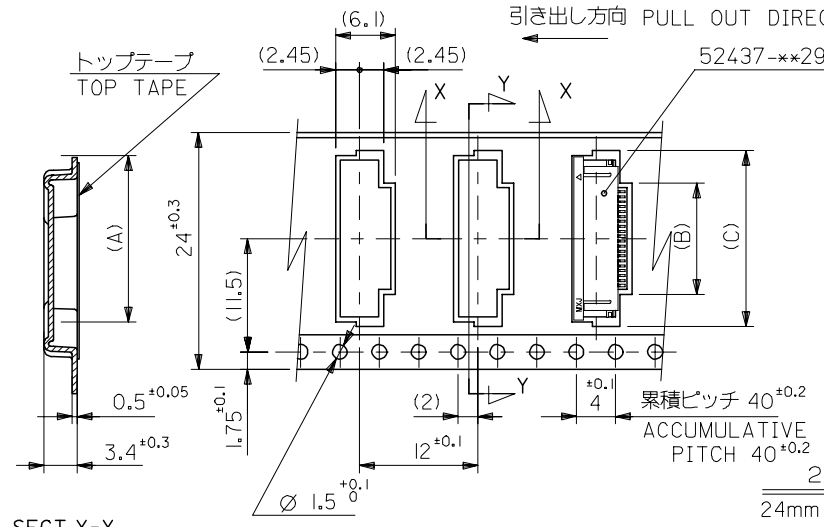
- トップテープの剥離強度：(剥離方向は下図参照)  
0.1N~1.3N {10gf~130gf}尚、本規格値は、出荷時に適用。  
(但し、輸送時に剥離が発生しない事。)  
PEELING OFF FORCE OF TOP TAPE  
0.1N ~1.3N {10gf ~130gf} (PEELING DIRECTION AS SHOWN IN FOLLOWING FIG.)  
THIS REQUIREMENT SHOULD BE APPLIED AT SHIPMENT  
PEEL OFF SHOULD NOT BE ALLOWED,  
DURING TRANSPORTATION



MODEL NO. 52437-\*\*\*71

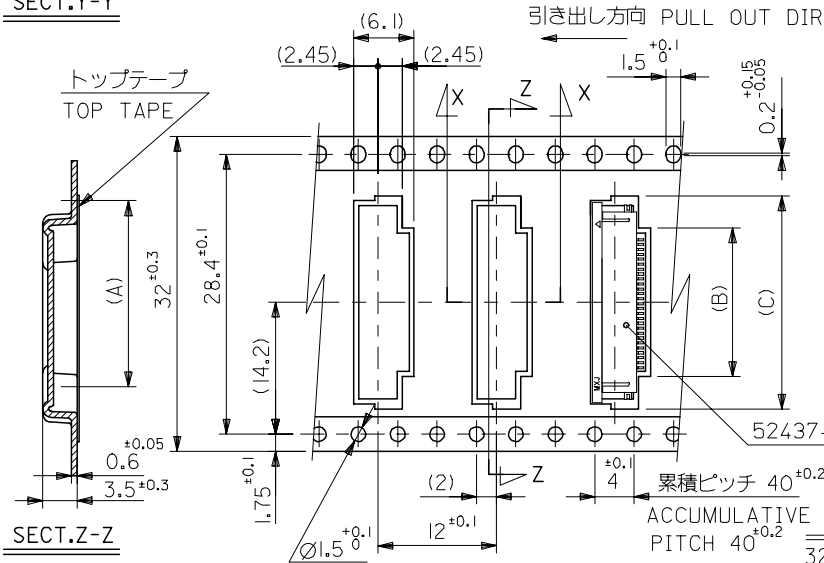
REVISED EC NO: J2006-2906 DRW: MABEI 2006/03/17 CHK: K. TOYODA 2006/03/21 APP: N. UKITA 2006/03/23	GENERAL TOLERANCES (UNLESS SPECIFIED)		DIMENSION STYLE MM ONLY		SCALE ---	DESIGN UNIT'S METRIC	THIRD ANGLE PROJECTION
	10 UNDER	±0.2	DRAWN BY M.UMEDA	DATE 2004-12/08	TITLE 0.5 FPC CONN. ZIF SMT RA WITH TAPE EMBSTP PKG -LEAD FREE-		
	10 OVER 30 UNDER	±0.25	CHECKED BY K. TOYODA	DATE 2004-12/08			
	30 OVER	±0.3	APPROVED BY N. UKITA	DATE 2004-12/08			
	ANGULAR ±3 °		MATERIAL NO.		DOCUMENT NO.		SHEET NO.
DRAFT WHERE APPLICABLE MUST REMAIN WITHIN DIMENSIONS		SEE CHART		SD-52437-020		1 OF 3	

10 9 8 7 6 5 4 3 2 1



SECT.Y-Y

24mm幅キャリアテープ  
24mm WIDTH CARRIER TAPE



SECT.Z-Z

32mm幅キャリアテープ  
32mm WIDTH CARRIER TAPE

32	37.4	33.4	22.4	15.8	21.4	52437-2971	29
			21.9	15.3	20.9	52437-2871	28
			21.4	14.8	20.4	52437-2771	27
			20.9	14.3	19.9	52437-2671	26
			20.4	13.8	19.4	52437-2571	25
			19.9	13.3	18.9	52437-2471	24
			19.4	12.8	18.4	52437-2371	23
24	29.4	25.4	18.9	12.3	17.9	52437-2271	22
			18.4	11.8	17.4	52437-2171	21
			17.9	11.3	16.9	52437-2071	20
			14.9	8.3	13.9	52437-1471	14
			13.9	7.3	12.9	52437-1271	12
キャリアテープ幅 CARRIER TAPE WIDTH	E	D	(C)	(B)	(A)	MATERIAL NO.	極数 CIRCUIT

MODEL NO. 52437-\*\*-71

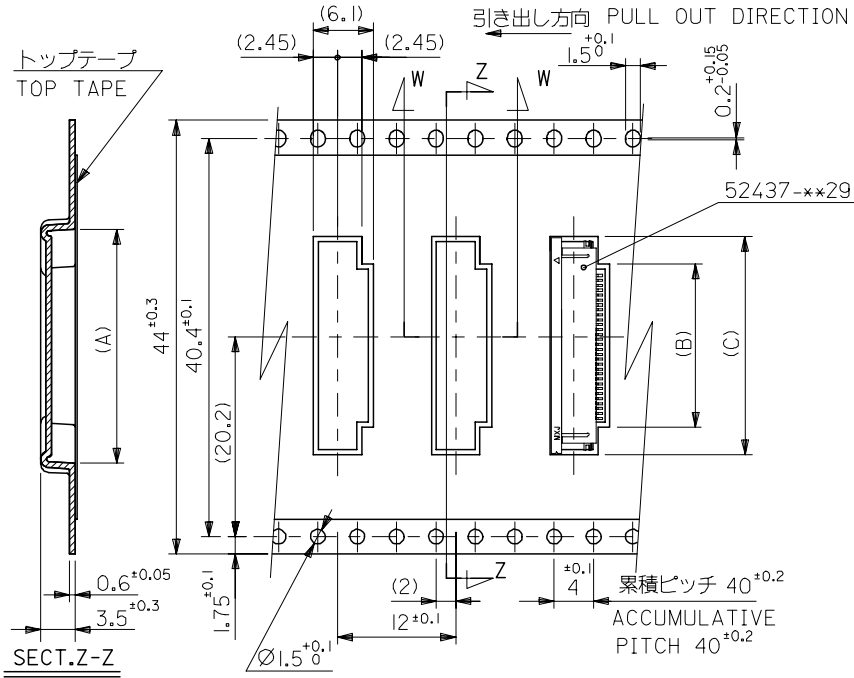
REVISED	DESCRIPTION
EC NO: J2006-2906	2006/03/17
DRWN: NABEI	2006/03/21
CHKD: KTOYODA	2006/03/21
APPR: NUKITA	2006/03/23

GENERAL TOLERANCES (UNLESS SPECIFIED)	
10 UNDER	±0.2
10 OVER 30 UNDER	±0.25
30 OVER	±0.3
ANGULAR	±3 °
DRAFT WHERE APPLICABLE MUST REMAIN WITHIN DIMENSIONS	

DIMENSION STYLE MM ONLY	
DRAWN BY M.UMEDA	DATE 2004/12/08
CHECKED BY K.TOYODA	DATE 2004/12/08
APPROVED BY N.UKITA	DATE 2004/12/08
MATERIAL NO. SEE CHART	

SCALE ---	DESIGN UNITS METRIC	THIRD ANGLE PROJECTION
TITLE 0.5 FPC CONN. ZIF SMT RA WITH TAPE EMBSTP PKG -LEAD FREE-		
MOLEX INCORPORATED		SHEET NO. 2 OF 3
DOCUMENT NO. SD-52437-020		

THIS DRAWING CONTAINS INFORMATION THAT IS PROPRIETARY TO MOLEX INCORPORATED AND SHOULD NOT BE USED WITHOUT WRITTEN PERMISSION



44mm幅キャリアテープ  
44mm WIDTH CARRIER TAPE

44	49.4	45.4	22.9	16.3	21.9	52437-3071	30
キャリアテープ幅 CARRIER TAPE WIDTH	E	D	(C)	(B)	(A)	MATERIAL NO.	極数 CIRCUIT

MODEL NO. 25437-xx71

REVISED EC NO: J2006-2906 DRWN: NABEI 2006/03/17 CHKDK: TOYODA 2006/03/21 APPR: NUKITA 2006/03/23	GENERAL TOLERANCES (UNLESS SPECIFIED)		DIMENSION STYLE MM ONLY		SCALE ---	DESIGN UNITS METRIC	THIRD ANGLE PROJECTION	
	10 UNDER	±0.2	DRAWN BY M.UMEDA	DATE 2004/12/08	TITLE 0.5 FPC CONN. ZIF SMT RA WITH TAPE EMBSTP PKG -LEAD FREE-			
	10 OVER 30 UNDER	±0.25	CHECKED BY K.TOYODA	DATE 2004/12/08	MOLEX INCORPORATED			
	30 OVER	±0.3	APPROVED BY N. UKITA	DATE 2004/12/08	DOCUMENT NO. SD-52437-020			
	ANGULAR	±3 °	MATERIAL NO. SEE CHART		SHEET NO. 3 OF 3			
DRAFT WHERE APPLICABLE MUST REMAIN WITHIN DIMENSIONS		SIZE A3		THIS DRAWING CONTAINS INFORMATION THAT IS PROPRIETARY TO MOLEX INCORPORATED AND SHOULD NOT BE USED WITHOUT WRITTEN PERMISSION				