

PLEASE CHECK WWW.MOLEX.COM FOR LATEST PART INFORMATION

Part Number: [0502323573](#)
Status: **Active**
Description: Ring Tongue Terminal for 10 and 12 AWG, Closed Insulated Vinyl Flared Barrel, Yellow, Stud Size 10 (M5), Oxygen-Free Copper, Length 26.60mm (1.047"), Width 7.10mm (.280")

Documents:

[Drawing \(PDF\)](#)

[Product Specification PS-50230-001 \(PDF\)](#)

[RoHS Certificate of Compliance \(PDF\)](#)

General

Product Family	Ring and Spade Terminals
Series	50232
Crimp Quality Equipment	Yes
Mil-Spec	N/A
Product Name	RBV (Ring Vinyl Flared)
Type	Ring

Physical

Barrel Type	Closed - Brazed
Color - Resin	Yellow
Insulation	PVC
Material - Plating Mating	Tin
Packaging Type	Bag
Stud Size	10 (M5)
Wire Size AWG	10, 12
Wire Size mm ²	2.63 - 6.64

Material Info

Reference - Drawing Numbers

Product Specification	PS-50230-001
Sales Drawing	SD-50232-001



*Series
image - Reference only*

EU RoHS

**ELV and RoHS
Compliant**

REACH SVHC

Not Reviewed

Halogen-Free

Status

Not Reviewed

China RoHS



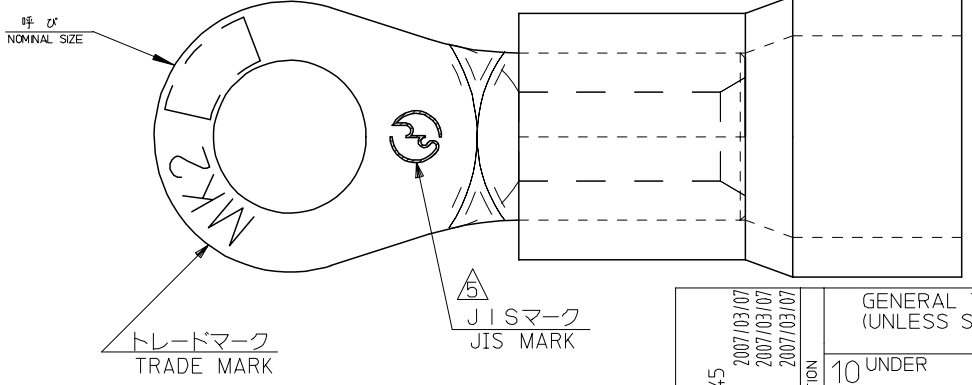
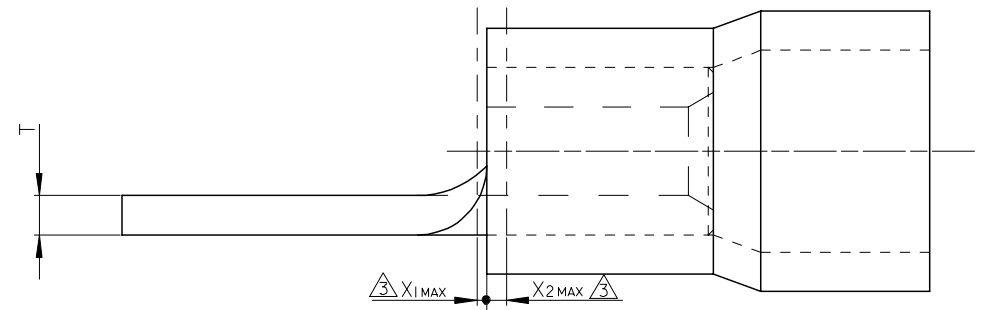
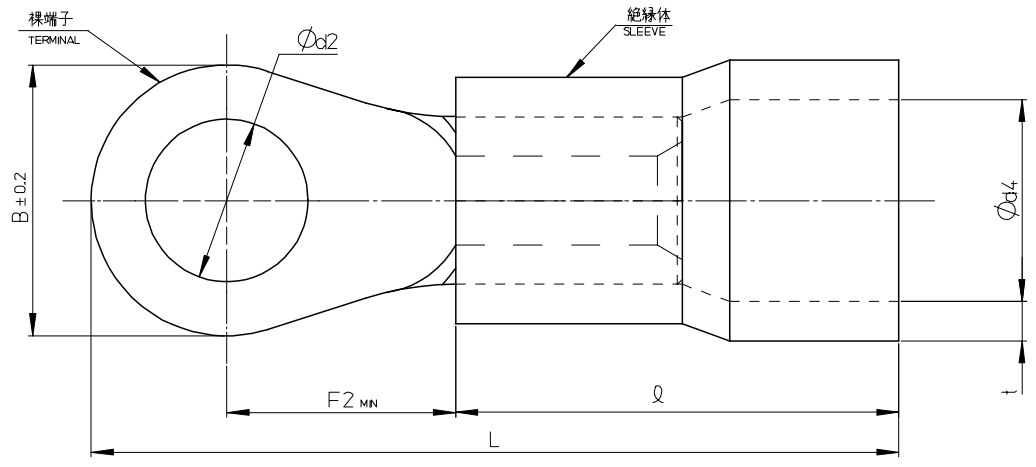
**Need more information on product
environmental compliance?**

Email productcompliance@molex.com
For a multiple part number RoHS Certificate of
Compliance, [click here](#)

Please visit the [Contact Us](#) section for any
non-product compliance questions.

Search Parts in this Series
[50232Series](#)

10 9 8 7 6 5 4 3 2 1



注記NOTES

1. 材質 MATERIAL

裸端子：無酸素銅，スズメッキ
 TERMINAL: OXYGEN FREE COPPER, TIN PLATING
 ろう付け部：りん銅ろう
 BRAZING: COPPER PHOSPHORUS BRAZING FILLER METALS
 絶縁体：硬質塩化ビニル
 SLEEVE: RIGID PVC (POLYVINYLCHLORIDE)

2. 適用電線 APPLICABLE WIRE RANGE

ENG.NO.	単線(mm) SOLID WIRE (mm)	撚線(mm ²) STRANDED WIRE (mm ²)	AWG
50232-3***	1.82-2.89	2.63-6.64	#12-#10

△ X₁ 及び X₂ 寸法は、裸端子の筒部と絶縁体とのずれを表す。
 X₁ AND X₂ SHOW THE OFFSET BETWEEN TERMINAL AND SLEEVE.

4. MATERIAL NOの説明
 LEGEND OF MATERIAL NO

50232-3△△*

スリーブの色
 SLEEVE COLOR
 0.....白 (WHITE)
 2.....赤 (RED)
 3.....黄 (YELLOW)
 4.....青 (BLUE)
 6.....緑 (GREEN)
 9.....透明 (TRANSPARENCY)

△ 5 JIS規格品は50232-3543,-3573,-3603,-3613,-3623のみ。
 JISマークはJIS認定品のみ手部に刻印する。
 50232-3543,-3573,-3603,-3613,-3623 ARE BASED ON JIS STANDARD.
 JIS MARK SHOULD BE STAMPED AT TONGUE PART
 ONLY IN THE RECOGNITION GOODS.

△ 6 JIS規格品の寸法の最小値は、基本寸法の80%とする。
 IN CASE OF JIS STANDARD PRODUCT, LOWER LIMIT IS 80% OF 'I'

RELEASED EC NO: J2007-1745 DRWNG: ITO 2007/03/07 CHKD: KASAHARA 2007/03/07 APPR: NUKITA 2007/03/07	GENERAL TOLERANCES (UNLESS SPECIFIED)		DIMENSION STYLE MM ONLY		SCALE ---	DESIGN UNITS METRIC	THIRD ANGLE PROJECTION	
	10 UNDER	± ---	DRAWN BY K. ITO	DATE 2006/10/27	TITLE INSULATED RING TERMINAL			
	10 OVER 30 UNDER	± ---	CHECKED BY K. KASAHARA	DATE 2006/10/27	MOLEX INCORPORATED DOCUMENT NO. SD-50232-001 SHEET NO. 1 OF 2			
	30 OVER	± ---	APPROVED BY N. UKITA	DATE 2006/10/27				
	ANGULAR	± 1 °	MATERIAL NO. SEE CHART					
DRAFT WHERE APPLICABLE MUST REMAIN WITHIN DIMENSIONS		THIS DRAWING CONTAINS INFORMATION THAT IS PROPRIETARY TO MOLEX INCORPORATED AND SHOULD NOT BE USED WITHOUT WRITTEN PERMISSION						

10 9 8 7 6 5 4 3 2 1

F

E

D

C

B

A

透明 TRANSPARENCY	緑 GREEN	青 BLUE	黄 YELLOW	赤 RED	白 WHITE	スリーブの色 SLEEVE COLOR
50232-3669	50232-3666	50232-3664	50232-3663	50232-3662	50232-3660	20
▲ -3659	▲ -3656	▲ -3654	▲ -3653	▲ -3652	▲ -3650	16
-3649	-3646	-3644	-3643	-3642	-3640	14
-3639	-3636	-3634	-3633	-3632	-3630	12
-3629	-3626	-3624	-3623	-3622	-3620	10
-3619	-3616	-3614	JIS -3613	-3612	-3610	8
-3609	-3606	-3604	-3603	-3602	-3600	6
-3599	-3596	-3594	-3593	-3592	-3590	L5
-3589	-3586	-3584	-3583	-3582	-3580	S5
-3579	-3576	-3574	JIS -3573	-3572	-3570	5
-3569	-3566	-3564	-3563	-3562	-3560	M4
-3559	-3556	-3554	-3553	-3552	-3550	S4
-3549	-3546	-3544	JIS -3543	-3542	-3540	4
-3539	-3536	-3534	-3533	-3532	-3530	M3.5
-3529	-3526	-3524	-3523	-3522	-3520	S3.5
-3519	-3516	-3514	-3513	-3512	-3510	M3
50232-3509	50232-3506	50232-3504	50232-3503	50232-3502	50232-3500	S3
△ ENG NO.	△ ENG NO.	△ ENG NO.	△ ENG NO.	△ ENG NO.	△ ENG NO.	呼び NOMINAL SIZE
						50232-3***
						MODEL NO.

T	t	∅d4	ℓ	X2	X1	L	F2	∅d2	B	呼び NOMINAL SIZE	ENG.NO.
1.0 _{±0.05}	0.8 _{±0.05}	6.4 _{±0.05}	13.5 _{±1}			55.1 _{±1}	24.9	21 _{±0.4}	32	20	50232-366*
								17 _{±0.4}		16	-365*
								15 _{±0.4}		14	-364*
						39.1 _{±1}	14.9	13 _{±0.4}	20	12	-363*
0.9 _{MN}	0.8 _△	5.9 _{MN}	13.0 _{MN}			37.0 _{MAX}	13.5	10.5 _{±0.4}	15	10	-362*
							9	8.4 _{±0.4}		8	-361*
						34.0 _{MAX}	7	6.4 _{±0.4}	12	6	-360*
						29.4 _{±1}	9.4	5.3 _{±0.2}		L5	-359*
1.0 _{±0.05}	0.8 _{±0.05}	6.4 _{±0.05}	13.5 _{±1}	0.5	1.0	26.6 _{±1}	8.4	8.0	8.0	S5	-358*
										5	-357*
0.9 _{MN}	0.8 _△	5.9 _{MN}	13.0 _{MN}			28.0 _{MAX}	7	5.3 _{±0.2}	9.5	M4	-356*
										S4	-355*
						26.6 _{±1}	8.8	4.3 _{±0.2}	7.1	4	-354*
						22.9 _{±1}	5.1	7.2	7.2	M3.5	-353*
						28.0 _{MAX}	5	4.3 _{±0.2}	9.5	S3.5	-352*
						26.6 _{±1}	8.8	3.7 _{±0.2}	7.1	M3	-351*
1.0 _{±0.05}	0.8 _{±0.05}	6.4 _{±0.05}	13.5 _{±1}			22.9 _{±1}	5.1	3.2 _{±0.2}	7.2	S3	50232-350*

RELEASED EC NO: J2007-1745 DRWNG: ITO CHKD: KASAHARA APPR: NUKITA	GENERAL TOLERANCES (UNLESS SPECIFIED)		DIMENSION STYLE MM ONLY		SCALE ---	DESIGN UNITS METRIC	THIRD ANGLE PROJECTION	
	10 UNDER	± ---	DRAWN BY K. ITO	DATE 2006/12/01	TITLE INSULATED RING TERMINAL			
	10 OVER 30 UNDER	± ---	CHECKED BY K. KASAHARA	DATE 2006/12/01				
	30 OVER	± ---	APPROVED BY N. UKITA	DATE 2006/12/01				
	ANGULAR	± --- °	MATERIAL NO. SEE CHART		DOCUMENT NO. SD-50232-001		SHEET NO. 2 OF 2	
DRAFT WHERE APPLICABLE MUST REMAIN WITHIN DIMENSIONS	SIZE A3		THIS DRAWING CONTAINS INFORMATION THAT IS PROPRIETARY TO MOLEX INCORPORATED AND SHOULD NOT BE USED WITHOUT WRITTEN PERMISSION					