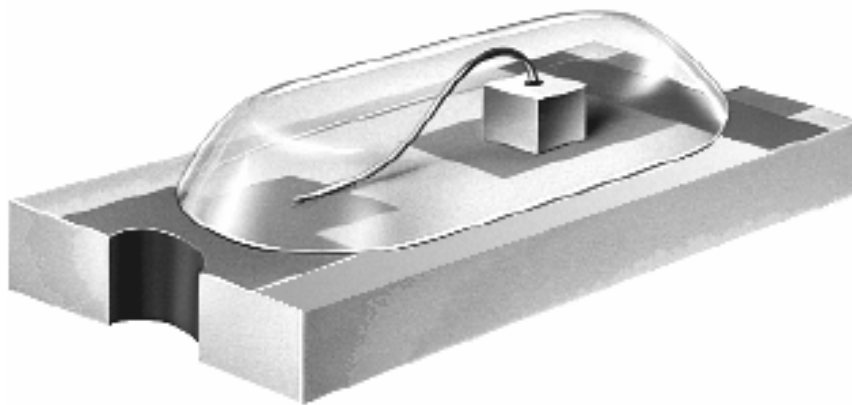


CERLED[®]

Ceramic Chip SMD

SMD – Wide-Viewing Angle
CR 50 TE Photo Transistor



Description

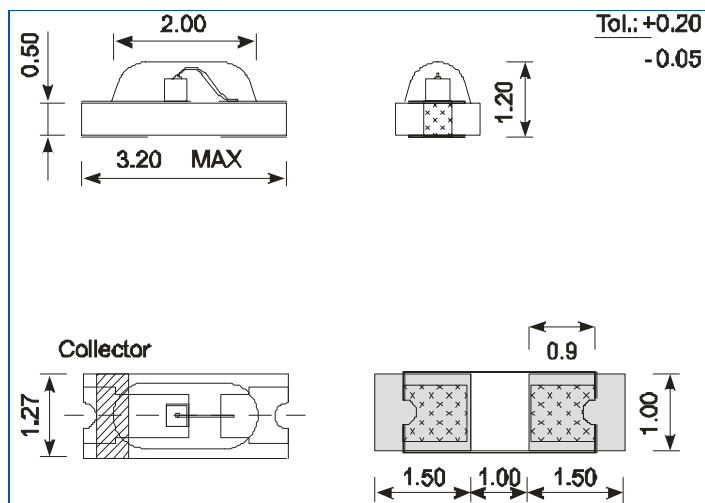
The solder pads provide an excellent heat sink. For multi-sensors just choose 2 or more CERLEDs. Clear epoxy lens.

Special Type (CR50TE-DLF) with daylight filter on request.

Available on special order in 8 mm blister tape or solid strips of up to 12 pcs with a true pitch of 1.27 mm.

Features and Benefits

- ▶ Solid state ceramic chip
- ▶ Surface mounting device
- ▶ High thermal conductivity
- ▶ End - to - end and side - to - side stackable down to a pitch of 1.3 mm
- ▶ Solder pads conform with Mil-Std 883 B



Maximum Ratings at 25 °C

Storage temperature	T_{st}	-25 °C to 120 °C
Operating temperature	T_{op}	-25 °C to 80 °C
Soldering temperature	$T_{sold} (10 s)$	240 °C

Optical and Electronic Characteristics at 25 °C

	min	typ	max	unit	conditions
Collector emitter breakdown voltage (V_{CE})	40			V	$I = 100 \mu A$
Dark current (I_{CEO})			400	nA	$V_{CE} : 20V, E_V : 0Lx$
Saturation voltage (V_{CEsat})			0.3	V	$I_C : 2 mA, I_B : 1000 \mu A$
Wavelength of max. sensitivity (λ_{max})		900		nm	
Photo current rise / fall time (t_{on} / t_{off})		4		μs	$R_L = 50 \Omega, f = 1 MHz$
Photosensitive area (A)		0.18		mm ²	
Power dissipation (P_{tot})		200		mW	
Current gain (h_{FE})	1000		1800		$V_{CE} = 5V, I_B = 3 \mu A$

Figure 1

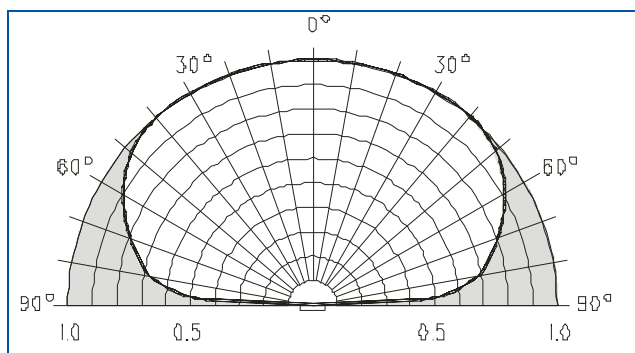


Figure 2

Suggested Mounting Method

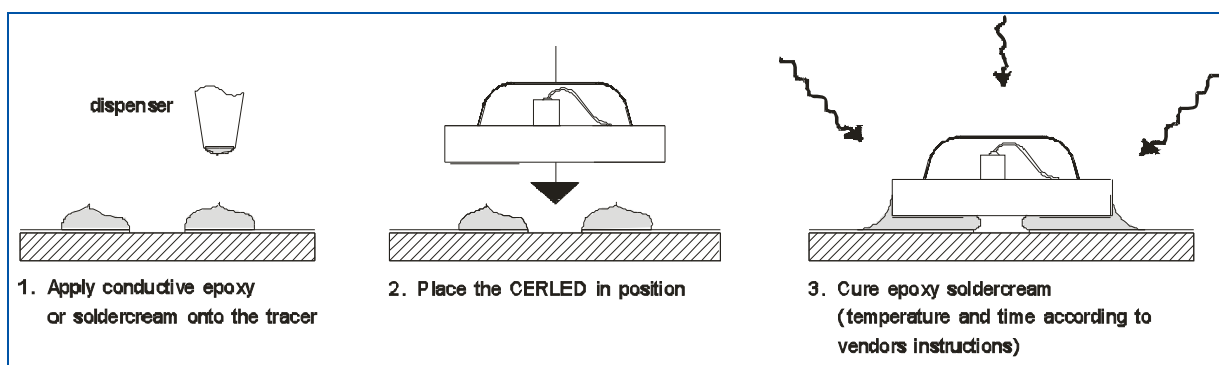




Figure 3

Special Packaging Standard 8 mm Blister Tape

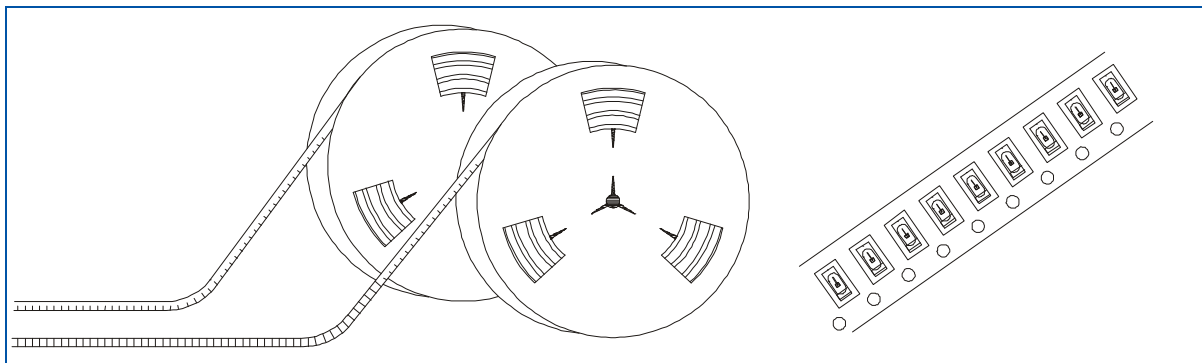
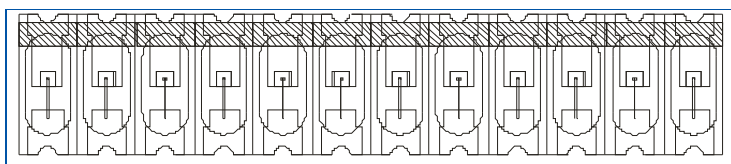


Figure 4

Arrays: Available in strips up to 12 CERLEDs with a max. pitch tolerance in spacing and linearity of ± 0.01 mm between chip centers.



Code to order strips:
CR 50 te – XX (no. of LEDs)

PerkinElmer Elcos GmbH
European Customer
Support for LED Solutions
Luitpoldstrasse 6
85276 Pfaffenhofen, Germany
Telephone: (+49)8441-8917-0
Fax: (+49)8441-71910
Elcos.sales@perkinelmer.com

European Headquarters
Wenzel-Jaksch-Strasse 31
65199 Wiesbaden, Germany
Telephone: (+49)611-492-247
Fax: (+49)611-492-170
opto.Europe@perkinelmer.com

**North America
Customer Support Hub**
22001 Dumberry Road
Vaudreuil-Dorion, Québec
Canada J7V 8P7
Telephone: (+1) 450-424-3300
(+1) 866-574-6786 (toll-free)
Fax: (+1) 450-424-3345
opto@perkinelmer.com

Asia Customer Service Hub
47 Ayer Rajah Crescent #06-12
Singapore 139947
Telephone: (+65)6775-2022
(+65)67704-366
Fax: (+65)6775-1008
opto.Asia@perkinelmer.com



For a complete listing of our global offices, visit www.optoelectronics.perkinelmer.com

©2005 PerkinElmer, Inc. All rights reserved. The PerkinElmer logo and design are registered trademarks of PerkinElmer, Inc. CERLED® is a trademark of PerkinElmer, Inc. or its subsidiaries, in the United States and other countries. All other trademarks not owned by PerkinElmer, Inc. or its subsidiaries that are depicted herein are the property of their respective owners. PerkinElmer reserves the right to change this document at any time without notice and disclaims liability for editorial, pictorial or typographical errors.
600050_01 DTS1005