

PLEASE CHECK WWW.MOLEX.COM FOR LATEST PART INFORMATION

Part Number: [0508378000](#)
Status: **Active**
Overview: [minilock](#)
Description: 2.50mm (.098") Pitch Mini-Lock™ Crimp Terminal, Reel

Documents:

[3D Model](#) [Product Specification PS-51198-003 \(PDF\)](#)
[Drawing \(PDF\)](#) [RoHS Certificate of Compliance \(PDF\)](#)

General

Product Family Crimp Terminals
 Series [50837](#)
 Crimp Quality Equipment Yes
 Overview [minilock](#)
 Product Name Mini-Lock™

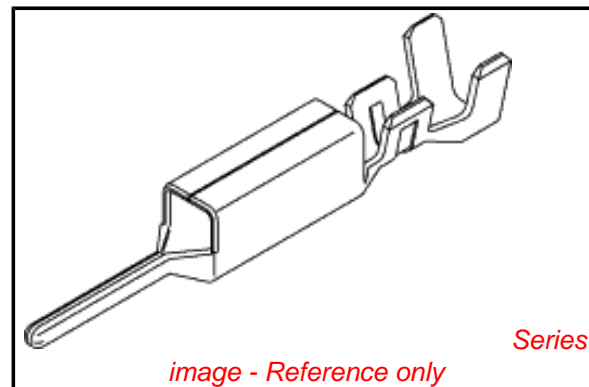
Physical

Gender Male
 Material - Metal Phosphor Bronze
 Material - Plating Mating Tin
 Material - Plating Termination Tin
 Packaging Type Reel
 Termination Interface: Style Crimp or Compression
 Wire Insulation Diameter 1.15-1.80mm (.045-.071")
 Wire Size AWG 22, 24, 26, 28
 Wire Size mm² N/A

Material Info

Reference - Drawing Numbers

Packaging Specification SPK-50837-001
 Product Specification PS-51198-003
 Sales Drawing SD-50837-002



EU RoHS

ELV and RoHS Compliant
REACH SVHC
Contains SVHC: No
Halogen-Free Status

China RoHS



Halogen-Free

Need more information on product environmental compliance?

Email productcompliance@molex.com
 For a multiple part number RoHS Certificate of Compliance, [click here](#)

Please visit the [Contact Us](#) section for any non-product compliance questions.

Search Parts in this Series

[50837Series](#)

Mates With

[50351](#) , [50752](#) crimp terminal

Use With

[51198](#)

Application Tooling | FAQ

Tooling specifications and manuals are found by selecting the products below. Crimp Height Specifications are then contained in the Application Tooling Specification document.

Global

| Description | Product # |
|--|----------------------------|
| Fine Adjust for 2.50mm (.098") Pitch Mini-Lock™ Crimp Terminal | 0639018500 |
| T2 Terminator for 2.50mm (.098") Pitch | 0639118500 |

Mini-Lock™ Crimp
Terminal
Hand Crimp Tool for 0638233400
Mini-Lock™ Wire-to-
Board Terminals
Extraction Tool 0011030016

Japan

| Description | Product # |
|--------------------|------------------|
|--------------------|------------------|

| | |
|----------------------|-------------------|
| Applicator for M211A | <u>0573913000</u> |
|----------------------|-------------------|

Bench Press, 22-28

AWG, for 50837

Crimp Terminal

Side-Feed Applicator 0573913200

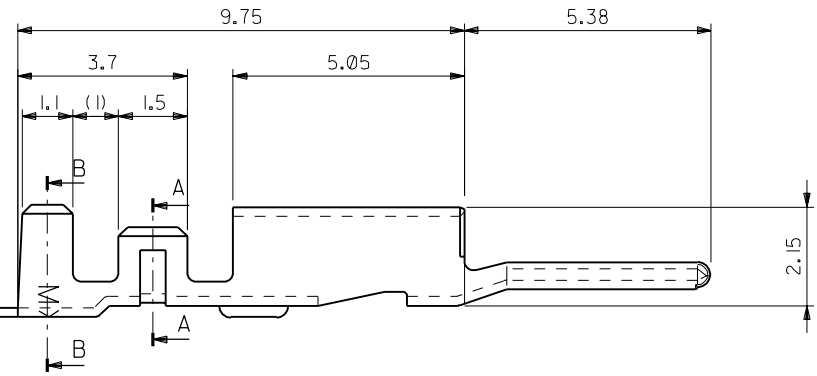
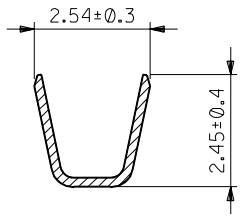
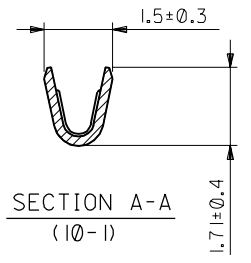
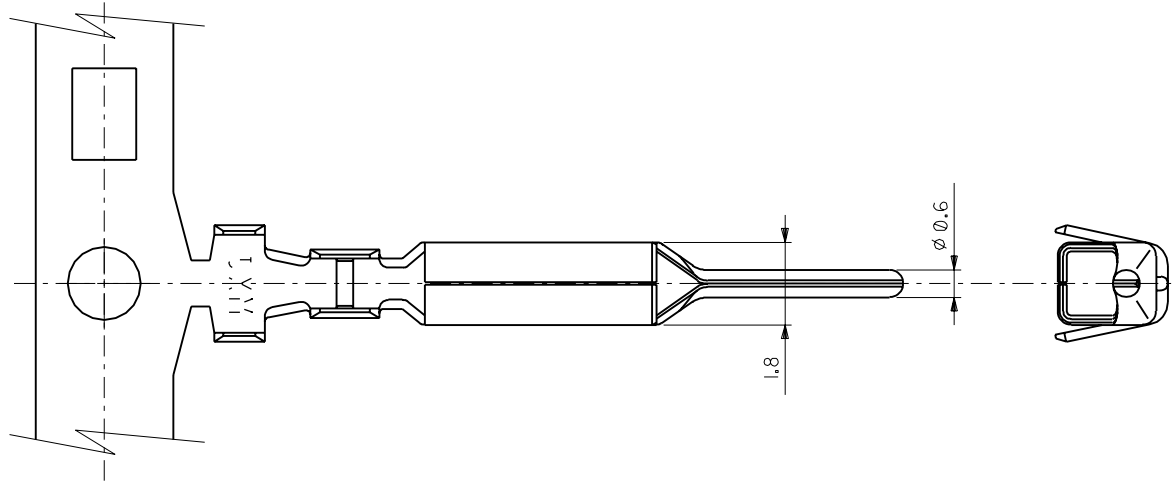
For Full-Auto

Machine

This document was generated on 06/07/2010

PLEASE CHECK WWW.MOLEX.COM FOR LATEST PART INFORMATION

DWG. NO. SD-50837-002



注記
NOTE.

1. 適合ハウジング : 51198-***00
APPLICABLE HOUSING

| | |
|----------------------|--------------|
| 50837-8100 | バラ状 LOOSE |
| 50837-8000 | 連鎖状 CHAIN |
| 製品番号 MATERIAL NO. | 端子形状 FORM |

| | | | |
|-----------------------------|-------------------------------|--|-------------------------------|
| DIMENSIONS: | | SHT | REV |
| <input type="checkbox"/> mm | <input type="checkbox"/> INCH | <input checked="" type="checkbox"/> mm | <input type="checkbox"/> ONLY |
| | | REVISE ON CAD ONLY | |

DO NOT SCALE DRAWING

| | | | | |
|----------------------------------|----------------------------------|----------------------------------|----------------------------------|----------------------------------|
| EC NO. DRWN: CHK: APPR: | EC NO. DRWN: CHK: APPR: | EC NO. DRWN: CHK: APPR: | EC NO. DRWN: CHK: APPR: | EC NO. DRWN: CHK: APPR: |
| | | | | 新規作成 PROPOSED |
| | | | | EC NO. JD90189 |
| | | | | DRWN: M. YAGI '98/08/05 |
| | | | | CHK: Y. ITO |
| | | | | APPR: H. IKESUGI |

| | |
|-----|-------------|
| REV | DESCRIPTION |
| 0 | |

| | |
|----------------------|---------------------------------------|
| MATERIAL 材料 | りん青銅 スズメッキ (t=0.2) |
| | PRE-TINNED PHOSPHOR BRONZE (t=0.2) |
| FINISH 仕上げ | — |
| WIRE RANGE 適用線径範囲 | AWG #22-#28 |
| INS. RANGE 被覆外径 | φ1.15 - φ1.8 |

| | | | |
|---|-------|-------|--|
| GENERAL TOLERANCES: (UNLESS SPECIFIED) 一般公差 | | SCALE | DESIGN UNITS |
| 10 UNDER 未満 | +0.2 | 10-1 | <input checked="" type="checkbox"/> mm <input type="checkbox"/> INCH |
| 10 OVER 以上 | +0.25 | | |
| 30 UNDER 未満 | | | |
| 30 OVER 以上 | +0.3 | | |
| ANGLE 角度 | +3° | | |

| | |
|-----------------------------|--------------------------------------|
| DRAWN BY & DATE | TITLE: |
| <i>M. Yagi</i> '98/05/14 | 2.5 WIRE TO BOARD CONN. CRIMP PIN |
| CHECKED BY & DATE | |
| <i>Y. Ito</i> | |
| APPROVED BY & DATE | |
| <i>H. Ikesugi</i> | |
| CAD FILE NAME | |
| 50837002.S01 | |

| | | | | | | | |
|-----------------------------|-------------------------------|--|-------------------------------|--------------|--------------|-----------|--|
| THIRD ANGLE PROJECTION | | MATERIAL NO. | | DRAWING NO. | | SHEET NO. | |
| <input type="checkbox"/> mm | <input type="checkbox"/> INCH | <input checked="" type="checkbox"/> mm | <input type="checkbox"/> ONLY | SEE CHART | SD-50837-002 | 1 OF 1 | |
| MATERIAL NO. | | | | DRAWING NO. | | | |
| 50837002.S01 | | | | SD-50837-002 | | | |
| DRAWING NO. | | | | SHEET NO. | | | |
| SD-50837-002 | | | | 1 OF 1 | | | |
| MATERIAL NO. | | | | SIZE | | | |
| SEE CHART | | | | B | | | |

THIS DRAWING CONTAINS INFORMATION THAT IS PROPRIETARY TO MOLEX INCORPORATED AND SHOULD NOT BE USED WITHOUT WRITTEN PERMISSION.