

**PLEASE CHECK WWW.MOLEX.COM FOR LATEST PART INFORMATION**

**Part Number:** [0022280120](#)  
**Status:** **Active**  
**Description:** 2.54mm (.100") Pitch KK® Header, Breakaway, Vertical, with Friction Lock, 12 Circuits, Tin (Sn) Plating

**Documents:**

[3D Model](#) [Product Specification PS-10-07 \(PDF\)](#)  
[Packaging Specification \(PDF\)](#) [RoHS Certificate of Compliance \(PDF\)](#)  
[Drawing \(PDF\)](#)

**Agency Certification**

CSA LR19980  
 UL E29179

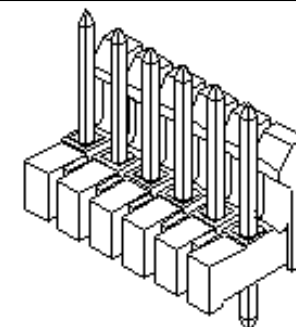
**General**

Product Family PCB Headers  
 Series [42227](#)  
 Application Wire-to-Board  
 Product Name KK®

**Physical**

Breakaway Yes  
 Circuits (Loaded) 12  
 Circuits (maximum) 12  
 Color - Resin Black  
 Durability (mating cycles max) 25  
 Flammability 94V-0  
 Glow-Wire Compliant No  
 Lock to Mating Part Yes  
 Material - Metal Brass  
 Material - Plating Mating Tin  
 Material - Plating Termination Tin  
 Material - Resin Nylon  
 Number of Rows 1  
 Orientation Vertical  
 PC Tail Length (in) 0.120 In  
 PC Tail Length (mm) 3.05 mm  
 PCB Locator No  
 PCB Retention None  
 PCB Thickness Recommended (in) 0.062 In  
 PCB Thickness Recommended (mm) 1.60 mm  
 Packaging Type Bag  
 Pitch - Mating Interface (in) 0.100 In  
 Pitch - Mating Interface (mm) 2.54 mm  
 Plating min: Mating (µin) 100  
 Plating min: Mating (µm) 2.5  
 Plating min: Termination (µin) 100  
 Plating min: Termination (µm) 2.5  
 Polarized to Mating Part No  
 Polarized to PCB No  
 Shrouded No  
 Stackable No  
 Temperature Range - Operating 0°C to +75°C  
 Termination Interface: Style Through Hole

**Electrical**



Series  
 image - Reference only

**EU RoHS**

**ELV and RoHS Compliant**  
**REACH SVHC Contains SVHC: No**  
**Halogen-Free Status**  
**Not Reviewed**

**China RoHS**



**Need more information on product environmental compliance?**

Email [productcompliance@molex.com](mailto:productcompliance@molex.com)  
 For a multiple part number RoHS Certificate of Compliance, [click here](#)

Please visit the [Contact Us](#) section for any non-product compliance questions.

**Search Parts in this Series**

[42227Series](#)

**Mates With**

[2695](#) , [6471](#) , [7880](#) , [4455](#) , [7720](#)

|                               |      |
|-------------------------------|------|
| Current - Maximum per Contact | 4A   |
| Voltage - Maximum             | 250V |

**Solder Process Data**

|  |                        |
|--|------------------------|
| Duration at Max. Process Temperature (seconds) | 5                      |
| Lead-free Process Capability                   | Wave Capable (TH only) |
| Max. Cycles at Max. Process Temperature        | 1                      |
| Process Temperature max. C                     | 235                    |

**Material Info**

|                 |            |
|-----------------|------------|
| Old Part Number | 42227-0012 |
|-----------------|------------|

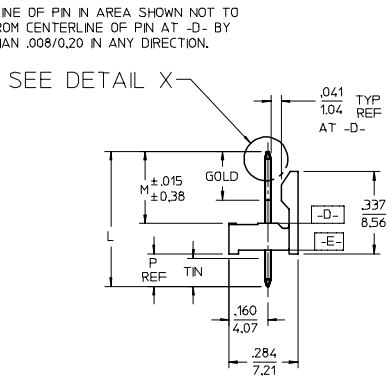
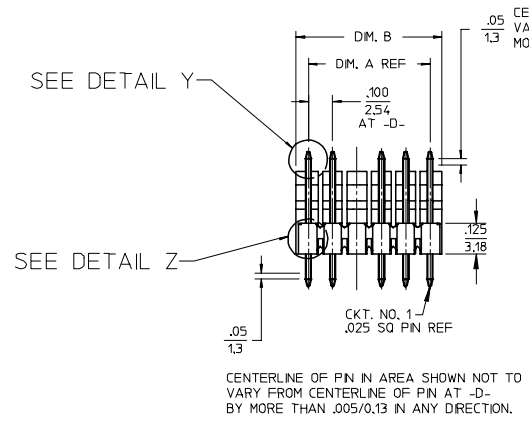
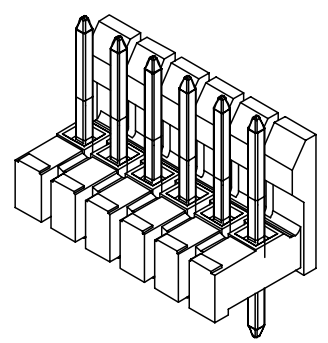
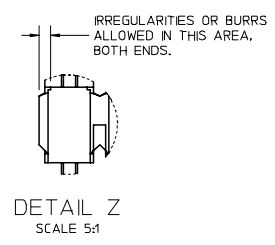
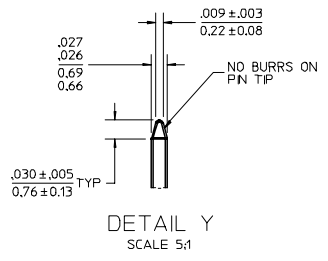
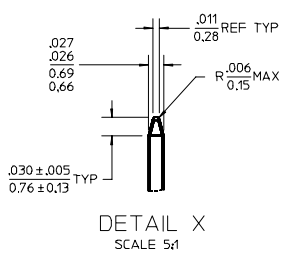
**Reference - Drawing Numbers**

|                       |              |
|-----------------------|--------------|
| Product Specification | PS-10-07     |
| Sales Drawing         | SD-42227-001 |

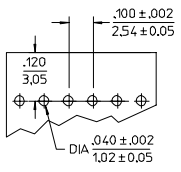
This document was generated on 03/22/2010

**PLEASE CHECK [WWW.MOLEX.COM](http://WWW.MOLEX.COM) FOR LATEST PART INFORMATION**

| CKT | DM A        | DM B        |
|-----|-------------|-------------|
| 2   | .100/2.54   | .200/5.08   |
| 3   | .200/5.08   | .300/7.62   |
| 4   | .300/7.62   | .400/10.16  |
| 5   | .400/10.16  | .500/12.70  |
| 6   | .500/12.70  | .600/15.24  |
| 7   | .600/15.24  | .700/17.78  |
| 8   | .700/17.78  | .800/20.32  |
| 9   | .800/20.32  | .900/22.86  |
| 10  | .900/22.86  | 1.000/25.40 |
| 11  | 1.000/25.40 | 1.100/27.94 |
| 12  | 1.100/27.94 | 1.200/30.48 |
| 13  | 1.200/30.48 | 1.300/33.02 |
| 14  | 1.300/33.02 | 1.400/35.56 |
| 15  | 1.400/35.56 | 1.500/38.10 |
| 16  | 1.500/38.10 | 1.600/40.64 |
| 17  | 1.600/40.64 | 1.700/43.18 |
| 18  | 1.700/43.18 | 1.800/45.72 |
| 19  | 1.800/45.72 | 1.900/48.26 |
| 20  | 1.900/48.26 | 2.000/50.80 |
| 21  | 2.000/50.80 | 2.100/53.34 |
| 22  | 2.100/53.34 | 2.200/55.88 |
| 23  | 2.200/55.88 | 2.300/58.42 |
| 24  | 2.300/58.42 | 2.400/60.96 |
| 25  | 2.400/60.96 | 2.500/63.50 |
| 26  | 2.500/63.50 | 2.600/66.04 |
| 27  | 2.600/66.04 | 2.700/68.58 |
| 28  | 2.700/68.58 | 2.800/71.12 |
| 29  | 2.800/71.12 | 2.900/73.66 |
| 30  | 2.900/73.66 | 3.000/76.20 |
| 31  | 3.000/76.20 | 3.100/78.74 |
| 32  | 3.100/78.74 | 3.200/81.28 |
| 33  | 3.200/81.28 | 3.300/83.82 |
| 34  | 3.300/83.82 | 3.400/86.36 |
| 35  | 3.400/86.36 | 3.500/88.90 |
| 36  | 3.500/88.90 | 3.600/91.44 |



- NOTES:
- MATERIAL: GLASS FILLED NYLON, 94V-0, COLOR: BLACK
  - FINISH:
    - (154) \*OVERALL TIN: .000100/0.00254 MIN, OVER .000050/0.00127 MIN NICKEL.
    - (208) SELECT GOLD: .000015/0.00038 MIN, \*SELECT TIN: .000100/0.00254 MIN, OVERALL NICKEL UNDERPLATE: .000050/0.00127 MIN.
    - (228) SELECT GOLD: .000030/0.00076 MIN, \*SELECT TIN: .000100/0.00254 MIN, OVERALL NICKEL UNDERPLATE: .000050/0.00127 MIN.
  - \*THE PRIMARY SHIPPING CARTON WILL BE LABELED "COMPLIANT TO RoHS DIRECTIVE 2002/95/EC AND ELV ANNEX II OF DIRECTIVE 2000/53/EC". CARTONS WITHOUT THIS LABEL MAY CONTAIN PRODUCT WITH TIN-LEAD PLATING
  - PRODUCT SPECIFICATION PS 10-07.
  - PACKAGING INFORMATION: SEE TABLES
  - KINK PIN SPECIFICATION: SEE SMES-42003
  - HEADERS ARE NOT STACKABLE ON .100/2.54 CENTERS.
  - SOLDERABILITY PER SMES-152.
  - PIN PUSH OUT FORCE: 3 LBS. MIN.



RECOMMENDED PC BOARD LAYOUT

|   |                                      |  |                       |                                 |                    |   |                      |                        |
|---|--------------------------------------|--|-----------------------|---------------------------------|--------------------|---|----------------------|------------------------|
| <b>ADD DETAIL VIEWS</b><br>EC NO: UCP2005-0488<br>DRW: JLOWE 2005/08/04<br>CHK: ADERR 2005/08/04<br>APPR: FSWJTH 2005/08/05<br>K3 | <b>QUALITY SYMBOLS</b><br>▽=0<br>▽=0 | <b>GENERAL TOLERANCES (UNLESS SPECIFIED)</b> |                       | <b>DIMENSION STYLE</b><br>IN/MM |                    | SCALE<br>2:1                                      | DESIGN UNITS<br>INCH | THIRD ANGLE PROJECTION |
|   |                                      | 4 PLACES ± --- ± ---                         | 3 PLACES ± --- ± .010 | DRAWN BY<br>JSCHAFFER           | DATE<br>2004/03/18 | TITLE<br>.100 FRICTION LOCK BREAKAWAY HEADER ASSY |                      |                        |
|   |                                      | 2 PLACES ± 0.25 ± .014                       | 1 PLACE ± 0.36 ± ---  | CHECKED BY<br>KSAMIEC           | DATE<br>2004/03/18 | MOLEX INCORPORATED                                |                      |                        |
|   |                                      | ANGULAR ±1/2°                                |                       | APPROVED BY<br>MARGULIS         | DATE<br>2004/03/18 | DOCUMENT NO.<br>SD-42227-001                      |                      |                        |
| DRAFT WHERE APPLICABLE MUST REMAIN WITHIN DIMENSIONS  |                                      | MATERIAL NO.<br>SEE CHART                    | SHEET NO.<br>1 OF 4   |                                 |                    |   |                      |                        |

| A-42227-0002/0036  |                 |                 |      |                 |              |
|--------------------|-----------------|-----------------|------|-----------------|--------------|
| HEADER NUMBER:     |                 | 41411           |      |                 |              |
| PIN NUMBER:        |                 | 42663-AXA154    |      |                 |              |
| PIN LENGTH: L      |                 | .540/13.72      |      |                 |              |
| MATING LENGTH: M   |                 | .295/7.49       |      |                 |              |
| GOLD POINT: G      |                 | N/A             |      |                 |              |
| PC TAIL LENGTH: P  |                 | .120/3.05       |      |                 |              |
| TIN: T             |                 | OVERALL         |      |                 |              |
| CKTS:              |                 | 2-36            |      |                 |              |
| KINKS:             |                 | NO              |      |                 |              |
| REMOVED BACKWALLS: |                 | NO              |      |                 |              |
| VOIDED CKTS:       |                 | NONE            |      |                 |              |
| PACKAGING:         |                 | BULK 40873-0056 |      |                 |              |
| CKTS               | MATERIAL NUMBER | ENG NUMBER      | CKTS | MATERIAL NUMBER | ENG NUMBER   |
| 02                 | 22-28-0020      | A-42227-0002    | 20   | 22-28-0200      | A-42227-0020 |
| 03                 | 22-28-0030      | A-42227-0003    | 21   | 22-28-0210      | A-42227-0021 |
| 04                 | 22-28-0040      | A-42227-0004    | 22   | 22-28-0220      | A-42227-0022 |
| 05                 | 22-28-0050      | A-42227-0005    | 23   | 22-28-0230      | A-42227-0023 |
| 06                 | 22-28-0060      | A-42227-0006    | 24   | 22-28-0240      | A-42227-0024 |
| 07                 | 22-28-0070      | A-42227-0007    | 25   | 22-28-0250      | A-42227-0025 |
| 08                 | 22-28-0080      | A-42227-0008    | 26   | 22-28-0260      | A-42227-0026 |
| 09                 | 22-28-0090      | A-42227-0009    | 27   | 22-28-0270      | A-42227-0027 |
| 10                 | 22-28-0100      | A-42227-0010    | 28   | 22-28-0280      | A-42227-0028 |
| 11                 | 22-28-0110      | A-42227-0011    | 29   | 22-28-0290      | A-42227-0029 |
| 12                 | 22-28-0120      | A-42227-0012    | 30   | 22-28-0300      | A-42227-0030 |
| 13                 | 22-28-0130      | A-42227-0013    | 31   | 22-28-0310      | A-42227-0031 |
| 14                 | 22-28-0140      | A-42227-0014    | 32   | 22-28-0320      | A-42227-0032 |
| 15                 | 22-28-0150      | A-42227-0015    | 33   | 22-28-0330      | A-42227-0033 |
| 16                 | 22-28-0160      | A-42227-0016    | 34   | 22-28-0340      | A-42227-0034 |
| 17                 | 22-28-0170      | A-42227-0017    | 35   | 22-28-0350      | A-42227-0035 |
| 18                 | 22-28-0180      | A-42227-0018    | 36   | 22-28-0360      | A-42227-0036 |
| 19                 | 22-28-0190      | A-42227-0019    |      |                 |              |

| A-42227-0037/0071  |                 |                 |      |                 |              |
|--------------------|-----------------|-----------------|------|-----------------|--------------|
| HEADER NUMBER:     |                 | 41411           |      |                 |              |
| PIN NUMBER:        |                 | 42663-AXB208    |      |                 |              |
| PIN LENGTH: L      |                 | .540/13.72      |      |                 |              |
| MATING LENGTH: M   |                 | .295/7.49       |      |                 |              |
| GOLD POINT: G      |                 | .180/4.57       |      |                 |              |
| PC TAIL LENGTH: P  |                 | .120/3.05       |      |                 |              |
| TIN: T             |                 | .135/3.43       |      |                 |              |
| CKTS:              |                 | 2-36            |      |                 |              |
| KINKS:             |                 | NO              |      |                 |              |
| REMOVED BACKWALLS: |                 | NO              |      |                 |              |
| VOIDED CKTS:       |                 | NONE            |      |                 |              |
| PACKAGING:         |                 | BULK 40873-0056 |      |                 |              |
| CKTS               | MATERIAL NUMBER | ENG NUMBER      | CKTS | MATERIAL NUMBER | ENG NUMBER   |
| 02                 | 22-28-0021      | A-42227-0037    | 20   | 22-28-0201      | A-42227-0055 |
| 03                 | 22-28-0031      | A-42227-0038    | 21   | 22-28-0211      | A-42227-0056 |
| 04                 | 22-28-0041      | A-42227-0039    | 22   | 22-28-0221      | A-42227-0057 |
| 05                 | 22-28-0051      | A-42227-0040    | 23   | 22-28-0231      | A-42227-0058 |
| 06                 | 22-28-0061      | A-42227-0041    | 24   | 22-28-0241      | A-42227-0059 |
| 07                 | 22-28-0071      | A-42227-0042    | 25   | 22-28-0251      | A-42227-0060 |
| 08                 | 22-28-0081      | A-42227-0043    | 26   | 22-28-0261      | A-42227-0061 |
| 09                 | 22-28-0091      | A-42227-0044    | 27   | 22-28-0271      | A-42227-0062 |
| 10                 | 22-28-0101      | A-42227-0045    | 28   | 22-28-0281      | A-42227-0063 |
| 11                 | 22-28-0111      | A-42227-0046    | 29   | 22-28-0291      | A-42227-0064 |
| 12                 | 22-28-0121      | A-42227-0047    | 30   | 22-28-0301      | A-42227-0065 |
| 13                 | 22-28-0131      | A-42227-0048    | 31   | 22-28-0311      | A-42227-0066 |
| 14                 | 22-28-0141      | A-42227-0049    | 32   | 22-28-0321      | A-42227-0067 |
| 15                 | 22-28-0151      | A-42227-0050    | 33   | 22-28-0331      | A-42227-0068 |
| 16                 | 22-28-0161      | A-42227-0051    | 34   | 22-28-0341      | A-42227-0069 |
| 17                 | 22-28-0171      | A-42227-0052    | 35   | 22-28-0351      | A-42227-0070 |
| 18                 | 22-28-0181      | A-42227-0053    | 36   | 22-28-0361      | A-42227-0071 |
| 19                 | 22-28-0191      | A-42227-0054    |      |                 |              |

|   |   |  |   |
|---|---|--|---|
| REV:<br><b>K</b>                          | SEE SHEET 1   | TITLE:<br><b>.100 FRICTION LOCK<br/>BREAKAWAY HEADER ASSY.</b> | SHEET No.<br><b>- 2 -</b>                     |
| DOCUMENT NUMBER:<br><b>SD- 42227 -001</b> | CREATED / REVISED BY:<br><b>S. LINEHAN 03/04/2004</b> | CHECKED BY:<br><b>K.SAMIEC 03/04/2004</b>                      | APPROVED BY:<br><b>Y. MARGULIS 03/04/2004</b> |

|  |  |  |  |  |  |
|--|--|--|--|--|--|
|  |  |  |  |  |  |
|--|--|--|--|--|--|

| A-42227-0072/0106  |                 |                 |      |                 |              |
|--------------------|-----------------|-----------------|------|-----------------|--------------|
| HEADER NUMBER:     |                 | 41411           |      |                 |              |
| PIN NUMBER:        |                 | 42663-AXB228    |      |                 |              |
| PIN LENGTH: L      |                 | .540/13.72      |      |                 |              |
| MATING LENGTH: M   |                 | .295/7.49       |      |                 |              |
| GOLD POINT: G      |                 | .180/4.57       |      |                 |              |
| PC TAIL LENGTH: P  |                 | .120/3.05       |      |                 |              |
| TIN: T             |                 | .135/3.43       |      |                 |              |
| CKTS:              |                 | 2-36            |      |                 |              |
| KINKS:             |                 | NO              |      |                 |              |
| REMOVED BACKWALLS: |                 | NO              |      |                 |              |
| VOIDED CKTS:       |                 | NONE            |      |                 |              |
| PACKAGING:         |                 | BULK 40873-0056 |      |                 |              |
| CKTS               | MATERIAL NUMBER | ENG NUMBER      | CKTS | MATERIAL NUMBER | ENG NUMBER   |
| 02                 | 22-28-0022      | A-42227-0072    | 20   | 22-28-0202      | A-42227-0090 |
| 03                 | 22-28-0032      | A-42227-0073    | 21   | 22-28-0212      | A-42227-0091 |
| 04                 | 22-28-0042      | A-42227-0074    | 22   | 22-28-0222      | A-42227-0092 |
| 05                 | 22-28-0052      | A-42227-0075    | 23   | 22-28-0232      | A-42227-0093 |
| 06                 | 22-28-0062      | A-42227-0076    | 24   | 22-28-0242      | A-42227-0094 |
| 07                 | 22-28-0072      | A-42227-0077    | 25   | 22-28-0252      | A-42227-0095 |
| 08                 | 22-28-0082      | A-42227-0078    | 26   | 22-28-0262      | A-42227-0096 |
| 09                 | 22-28-0092      | A-42227-0079    | 27   | 22-28-0272      | A-42227-0097 |
| 10                 | 22-28-0102      | A-42227-0080    | 28   | 22-28-0282      | A-42227-0098 |
| 11                 | 22-28-0112      | A-42227-0081    | 29   | 22-28-0292      | A-42227-0099 |
| 12                 | 22-28-0122      | A-42227-0082    | 30   | 22-28-0302      | A-42227-0100 |
| 13                 | 22-28-0132      | A-42227-0083    | 31   | 22-28-0312      | A-42227-0101 |
| 14                 | 22-28-0142      | A-42227-0084    | 32   | 22-28-0322      | A-42227-0102 |
| 15                 | 22-28-0152      | A-42227-0085    | 33   | 22-28-0332      | A-42227-0103 |
| 16                 | 22-28-0162      | A-42227-0086    | 34   | 22-28-0342      | A-42227-0104 |
| 17                 | 22-28-0172      | A-42227-0087    | 35   | 22-28-0352      | A-42227-0105 |
| 18                 | 22-28-0182      | A-42227-0088    | 36   | 22-28-0362      | A-42227-0106 |
| 19                 | 22-28-0192      | A-42227-0089    |      |                 |              |

| A-42227-0107/0141  |                 |                 |      |                 |              |
|--------------------|-----------------|-----------------|------|-----------------|--------------|
| HEADER NUMBER:     |                 | 41411           |      |                 |              |
| PIN NUMBER:        |                 | 42663-BAA154    |      |                 |              |
| PIN LENGTH: L      |                 | .555/14.10      |      |                 |              |
| MATING LENGTH: M   |                 | .295/7.49       |      |                 |              |
| GOLD POINT: G      |                 | N/A             |      |                 |              |
| PC TAIL LENGTH: P  |                 | .135/3.43       |      |                 |              |
| TIN: T             |                 | OVERALL         |      |                 |              |
| CKTS:              |                 | 2-36            |      |                 |              |
| KINKS:             |                 | YES             |      |                 |              |
| REMOVED BACKWALLS: |                 | NO              |      |                 |              |
| VOIDED CKTS:       |                 | NONE            |      |                 |              |
| PACKAGING:         |                 | BULK 40873-0056 |      |                 |              |
| CKTS               | MATERIAL NUMBER | ENG NUMBER      | CKTS | MATERIAL NUMBER | ENG NUMBER   |
| 02                 | 22-28-0023      | A-42227-0107    | 20   | 22-28-0203      | A-42227-0125 |
| 03                 | 22-28-0033      | A-42227-0108    | 21   | 22-28-0213      | A-42227-0126 |
| 04                 | 22-28-0043      | A-42227-0109    | 22   | 22-28-0223      | A-42227-0127 |
| 05                 | 22-28-0053      | A-42227-0110    | 23   | 22-28-0233      | A-42227-0128 |
| 06                 | 22-28-0063      | A-42227-0111    | 24   | 22-28-0243      | A-42227-0129 |
| 07                 | 22-28-0073      | A-42227-0112    | 25   | 22-28-0253      | A-42227-0130 |
| 08                 | 22-28-0083      | A-42227-0113    | 26   | 22-28-0263      | A-42227-0131 |
| 09                 | 22-28-0093      | A-42227-0114    | 27   | 22-28-0273      | A-42227-0132 |
| 10                 | 22-28-0103      | A-42227-0115    | 28   | 22-28-0283      | A-42227-0133 |
| 11                 | 22-28-0113      | A-42227-0116    | 29   | 22-28-0293      | A-42227-0134 |
| 12                 | 22-28-0123      | A-42227-0117    | 30   | 22-28-0303      | A-42227-0135 |
| 13                 | 22-28-0133      | A-42227-0118    | 31   | 22-28-0313      | A-42227-0136 |
| 14                 | 22-28-0143      | A-42227-0119    | 32   | 22-28-0323      | A-42227-0137 |
| 15                 | 22-28-0153      | A-42227-0120    | 33   | 22-28-0333      | A-42227-0138 |
| 16                 | 22-28-0163      | A-42227-0121    | 34   | 22-28-0343      | A-42227-0139 |
| 17                 | 22-28-0173      | A-42227-0122    | 35   | 22-28-0353      | A-42227-0140 |
| 18                 | 22-28-0183      | A-42227-0123    | 36   | 22-28-0363      | A-42227-0141 |
| 19                 | 22-28-0193      | A-42227-0124    |      |                 |              |

|      |             |        |  |           |       |
|------|-------------|--------|--|-----------|-------|
| REV: | SEE SHEET 1 | TITLE: | .100 FRICTION LOCK<br>BREAKAWAY HEADER ASSY. | SHEET No. | - 3 - |
|------|-------------|--------|--|-----------|-------|

|                  |                |                       |                       |             |                     |              |                        |
|------------------|----------------|-----------------------|-----------------------|-------------|---------------------|--------------|------------------------|
| DOCUMENT NUMBER: | SD- 42227 -001 | CREATED / REVISED BY: | S. LINEHAN 03/04/2004 | CHECKED BY: | K.SAMIEC 03/04/2004 | APPROVED BY: | Y. MARGULIS 03/04/2004 |
|------------------|----------------|-----------------------|-----------------------|-------------|---------------------|--------------|------------------------|

|  |  |  |  |  |  |
|--|--|--|--|--|--|
|  |  |  |  |  |  |
|--|--|--|--|--|--|

| A-42227-0142/0176  |                 |                 |      |                 |              |
|--------------------|-----------------|-----------------|------|-----------------|--------------|
| HEADER NUMBER:     |                 | 41411           |      |                 |              |
| PIN NUMBER:        |                 | 42663-BAB208    |      |                 |              |
| PIN LENGTH: L      |                 | .555/14.10      |      |                 |              |
| MATING LENGTH: M   |                 | .295/7.49       |      |                 |              |
| GOLD POINT: G      |                 | .180/4.57       |      |                 |              |
| PC TAIL LENGTH: P  |                 | .135/3.43       |      |                 |              |
| TIN: T             |                 | .135/3.43       |      |                 |              |
| CKTS:              |                 | 2-36            |      |                 |              |
| KINKS:             |                 | YES             |      |                 |              |
| REMOVED BACKWALLS: |                 | NO              |      |                 |              |
| VOIDED CKTS:       |                 | NONE            |      |                 |              |
| PACKAGING:         |                 | BULK 40873-0056 |      |                 |              |
| CKTS               | MATERIAL NUMBER | ENG NUMBER      | CKTS | MATERIAL NUMBER | ENG NUMBER   |
| 02                 | 22-28-0024      | A-42227-0142    | 20   | 22-28-0204      | A-42227-0160 |
| 03                 | 22-28-0034      | A-42227-0143    | 21   | 22-28-0214      | A-42227-0161 |
| 04                 | 22-28-0044      | A-42227-0144    | 22   | 22-28-0224      | A-42227-0162 |
| 05                 | 22-28-0054      | A-42227-0145    | 23   | 22-28-0234      | A-42227-0163 |
| 06                 | 22-28-0064      | A-42227-0146    | 24   | 22-28-0244      | A-42227-0164 |
| 07                 | 22-28-0074      | A-42227-0147    | 25   | 22-28-0254      | A-42227-0165 |
| 08                 | 22-28-0084      | A-42227-0148    | 26   | 22-28-0264      | A-42227-0166 |
| 09                 | 22-28-0094      | A-42227-0149    | 27   | 22-28-0274      | A-42227-0167 |
| 10                 | 22-28-0104      | A-42227-0150    | 28   | 22-28-0284      | A-42227-0168 |
| 11                 | 22-28-0114      | A-42227-0151    | 29   | 22-28-0294      | A-42227-0169 |
| 12                 | 22-28-0124      | A-42227-0152    | 30   | 22-28-0304      | A-42227-0170 |
| 13                 | 22-28-0134      | A-42227-0153    | 31   | 22-28-0314      | A-42227-0171 |
| 14                 | 22-28-0144      | A-42227-0154    | 32   | 22-28-0324      | A-42227-0172 |
| 15                 | 22-28-0154      | A-42227-0155    | 33   | 22-28-0334      | A-42227-0173 |
| 16                 | 22-28-0164      | A-42227-0156    | 34   | 22-28-0344      | A-42227-0174 |
| 17                 | 22-28-0174      | A-42227-0157    | 35   | 22-28-0354      | A-42227-0175 |
| 18                 | 22-28-0184      | A-42227-0158    | 36   | 22-28-0364      | A-42227-0176 |
| 19                 | 22-28-0194      | A-42227-0159    |      |                 |              |

| A-42227-0177/0211  |                 |                 |      |                 |              |
|--------------------|-----------------|-----------------|------|-----------------|--------------|
| HEADER NUMBER:     |                 | 41411           |      |                 |              |
| PIN NUMBER:        |                 | 42663-BAB228    |      |                 |              |
| PIN LENGTH: L      |                 | .555/14.10      |      |                 |              |
| MATING LENGTH: M   |                 | .295/7.49       |      |                 |              |
| GOLD POINT: G      |                 | .180/4.57       |      |                 |              |
| PC TAIL LENGTH: P  |                 | .135/3.43       |      |                 |              |
| TIN: T             |                 | .135/3.43       |      |                 |              |
| CKTS:              |                 | 2-36            |      |                 |              |
| KINKS:             |                 | YES             |      |                 |              |
| REMOVED BACKWALLS: |                 | NO              |      |                 |              |
| VOIDED CKTS:       |                 | NONE            |      |                 |              |
| PACKAGING:         |                 | BULK 40873-0056 |      |                 |              |
| CKTS               | MATERIAL NUMBER | ENG NUMBER      | CKTS | MATERIAL NUMBER | ENG NUMBER   |
| 02                 | 22-28-0025      | A-42227-0177    | 20   | 22-28-0205      | A-42227-0195 |
| 03                 | 22-28-0035      | A-42227-0178    | 21   | 22-28-0215      | A-42227-0196 |
| 04                 | 22-28-0045      | A-42227-0179    | 22   | 22-28-0225      | A-42227-0197 |
| 05                 | 22-28-0055      | A-42227-0180    | 23   | 22-28-0235      | A-42227-0198 |
| 06                 | 22-28-0065      | A-42227-0181    | 24   | 22-28-0245      | A-42227-0199 |
| 07                 | 22-28-0075      | A-42227-0182    | 25   | 22-28-0255      | A-42227-0200 |
| 08                 | 22-28-0085      | A-42227-0183    | 26   | 22-28-0265      | A-42227-0201 |
| 09                 | 22-28-0095      | A-42227-0184    | 27   | 22-28-0275      | A-42227-0202 |
| 10                 | 22-28-0105      | A-42227-0185    | 28   | 22-28-0285      | A-42227-0203 |
| 11                 | 22-28-0115      | A-42227-0186    | 29   | 22-28-0295      | A-42227-0204 |
| 12                 | 22-28-0125      | A-42227-0187    | 30   | 22-28-0305      | A-42227-0205 |
| 13                 | 22-28-0135      | A-42227-0188    | 31   | 22-28-0315      | A-42227-0206 |
| 14                 | 22-28-0145      | A-42227-0189    | 32   | 22-28-0325      | A-42227-0207 |
| 15                 | 22-28-0155      | A-42227-0190    | 33   | 22-28-0335      | A-42227-0208 |
| 16                 | 22-28-0165      | A-42227-0191    | 34   | 22-28-0345      | A-42227-0209 |
| 17                 | 22-28-0175      | A-42227-0192    | 35   | 22-28-0355      | A-42227-0210 |
| 18                 | 22-28-0185      | A-42227-0193    | 36   | 22-28-0365      | A-42227-0211 |
| 19                 | 22-28-0195      | A-42227-0194    |      |                 |              |

|      |          |             |        |  |           |              |
|------|----------|-------------|--------|--|-----------|--------------|
| REV: | <b>K</b> | SEE SHEET 1 | TITLE: | <b>.100 FRICTION LOCK<br/>BREAKAWAY HEADER ASSY.</b> | SHEET No. | <b>- 4 -</b> |
|------|----------|-------------|--------|--|-----------|--------------|

|                  |                       |                       |                              |             |                            |              |                               |
|------------------|-----------------------|-----------------------|------------------------------|-------------|----------------------------|--------------|-------------------------------|
| DOCUMENT NUMBER: | <b>SD- 42227 -001</b> | CREATED / REVISED BY: | <b>S. LINEHAN 03/04/2004</b> | CHECKED BY: | <b>K.SAMIEC 03/04/2004</b> | APPROVED BY: | <b>Y. MARGULIS 03/04/2004</b> |
|------------------|-----------------------|-----------------------|------------------------------|-------------|----------------------------|--------------|-------------------------------|