

## FEATURES

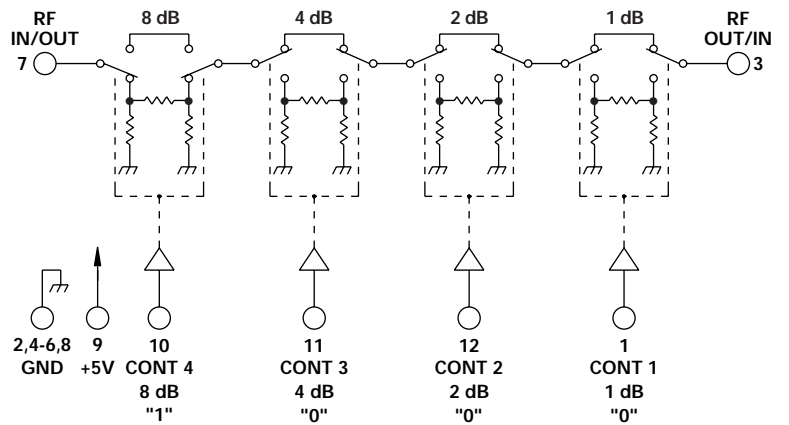
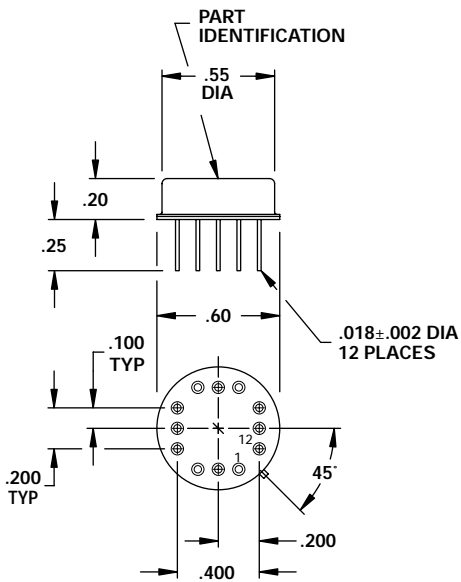
- 10 - 1000 MHz
- 0.8 mA, +5 VDC
- 1 dB LSB, 15 dB Range
- 20 nSec Switching Speed
- 12 nSec Rise Time
- TTL Control
- 12 Pin TO-8 Package
- See DA0784-1 For Surface Mount Package



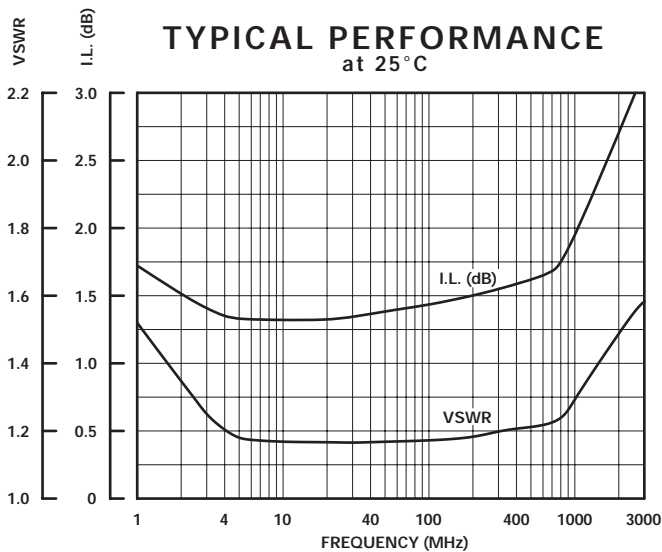
MODEL NO.  
DA0984-1

## GaAs 4 Section Attenuator

4 BIT



## GUARANTEED PERFORMANCE



| Parameter                    | Min              | Typ   | Max   | Units | Conditions   |
|------------------------------|------------------|-------|-------|-------|--|
| Operating Frequency          | 10               |       | 1000  | MHz   |  |
| DC Current                   |                  | 0.8   | 2.0   | mA    | At +5 VDC Supply   |
| Control Type                 |                  | TTL   |       |       | 4 Line<br>Logic "0" = Thru<br>Logic "1" = Attenuation  |
| Control Current              | <i>High</i>      | 0     | ±20   | µA    | V <sub>IH</sub> = +2.7 Volts   |
|                              | <i>Low</i>       | 0     | ±20   | µA    | V <sub>IL</sub> = 0.5 Volts  |
| Insertion Loss               |                  | 1.9   | 2.5   | dB    | MHz  |
| Attenuation                  | <i>LSB</i>       | 1     |       | dB    | 1, 2, 4, 8<br>+0.15 dB +2% of Atten.<br>Setting in dB<br>-0.35 dB +2% of Atten.<br>Setting in dB |
|                              | <i>Range</i>     | 15    |       | dB    |  |
|                              | <i>Accuracy</i>  |       |       | dB    |  |
| VSWR                         |                  | 1.2/1 | 1.6/1 |       |  |
| Impedance                    |                  | 50    |       | OHMS  |  |
| Switching Speed              |                  | 20    | 30    | nSec  | 50% TTL - 90% / 10% RF   |
| Transition (Rise/Fall) Time  |                  | 12    |       | nSec  | 10% / 90% - 90% / 10% RF   |
| Switching (Video) Transients |                  | 48    |       | mV    | Peak Value   |
| Intercept Points             | <i>2nd</i>       | +54   |       | dBm   | 70 MHz / 50 MHz  |
|                              | <i>3rd</i>       | +38   |       | dBm   | 35 MHz / 50 MHz  |
| RF Power                     | <i>Operate</i>   | +9    | +6    | dBm   | 0.1 dB Compression (<50 MHz)   |
|                              |                  | +14   | +10   | dBm   | 0.1 dB Compression (>50 MHz)   |
|                              | <i>No Damage</i> |       | +23   | dBm   |  |
| Operating Temperature        | -55              | +25   | +85   | °C    | TA   |