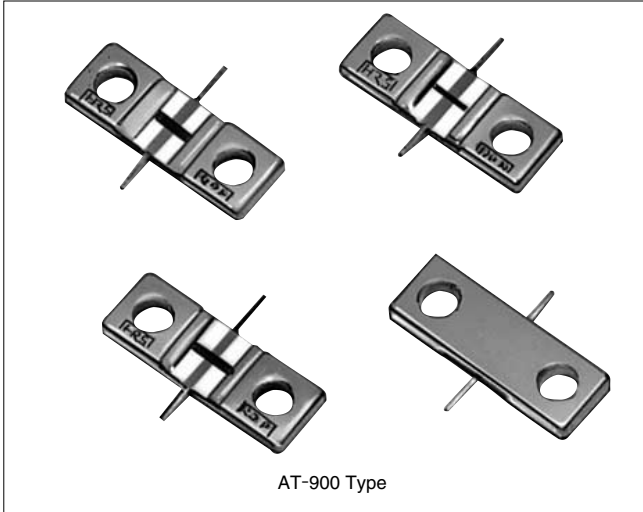


# Stripline Mounting Fixed Attenuators (DC to 8 GHz)

## AT-900 Series



### ■ Features

#### 1. Frequency Range from DC to 8 GHz

Although these attenuators are of the surface mount type, they offer superior high frequency characteristics from DC to 8 GHz.

#### 2. Abundant Variations of Attenuators

Attenuation amounts are available in 11 types from 0 to 10 dB in 1 dB steps.

### ■ Product Specifications

|         |  |                                 |  |                            |
|---------|--|---------------------------------|--|----------------------------|
| Ratings | Frequency Range (Note)<br>Characteristic impedance<br>Maximum Input Power (Note) | DC to 8.0 GHz<br>50 ohms<br>1 W | Operating temperature range<br>Operating relative humidity | -10°C to +65°C<br>95% Max. |
|---------|--|---------------------------------|--|----------------------------|

Note: The frequency range and the maximum input power will differ depending on the products.

| Item                 | Standard  | Conditions  |
|----------------------|---|---|
| 1. Vibration         | No electrical discontinuity of 1 $\mu$ s or more<br>No damage, cracks, or parts dislocation | Frequency of 10 to 2000 Hz, overall amplitude of 1.52 mm, acceleration of 98 m/s <sup>2</sup> for 2 hours in each of 3 directions |
| 2. Shock             |   | Acceleration of 490 m/s <sup>2</sup> , sine half-wave waveform, 3 cycles in each of the 3 axis                                    |
| 3. Temperature cycle | No damage, cracks, or parts dislocation   | Temperature: -55°C → +5°C to +35°C → +85°C → +5°C to +35°C<br>Time: 30 → 15 max. → 30 → 15 max. (Minutes)<br>200 cycles           |

●The test method conforms to MIL-STD-202.

### ■ Materials

| Part                | Material   | Finish         |
|---------------------|------------|----------------|
| Connector Body      | Brass      | Nickel plating |
| Attenuation element | Metal film | -----          |
| Tabs                | Copper     | Solder plating |

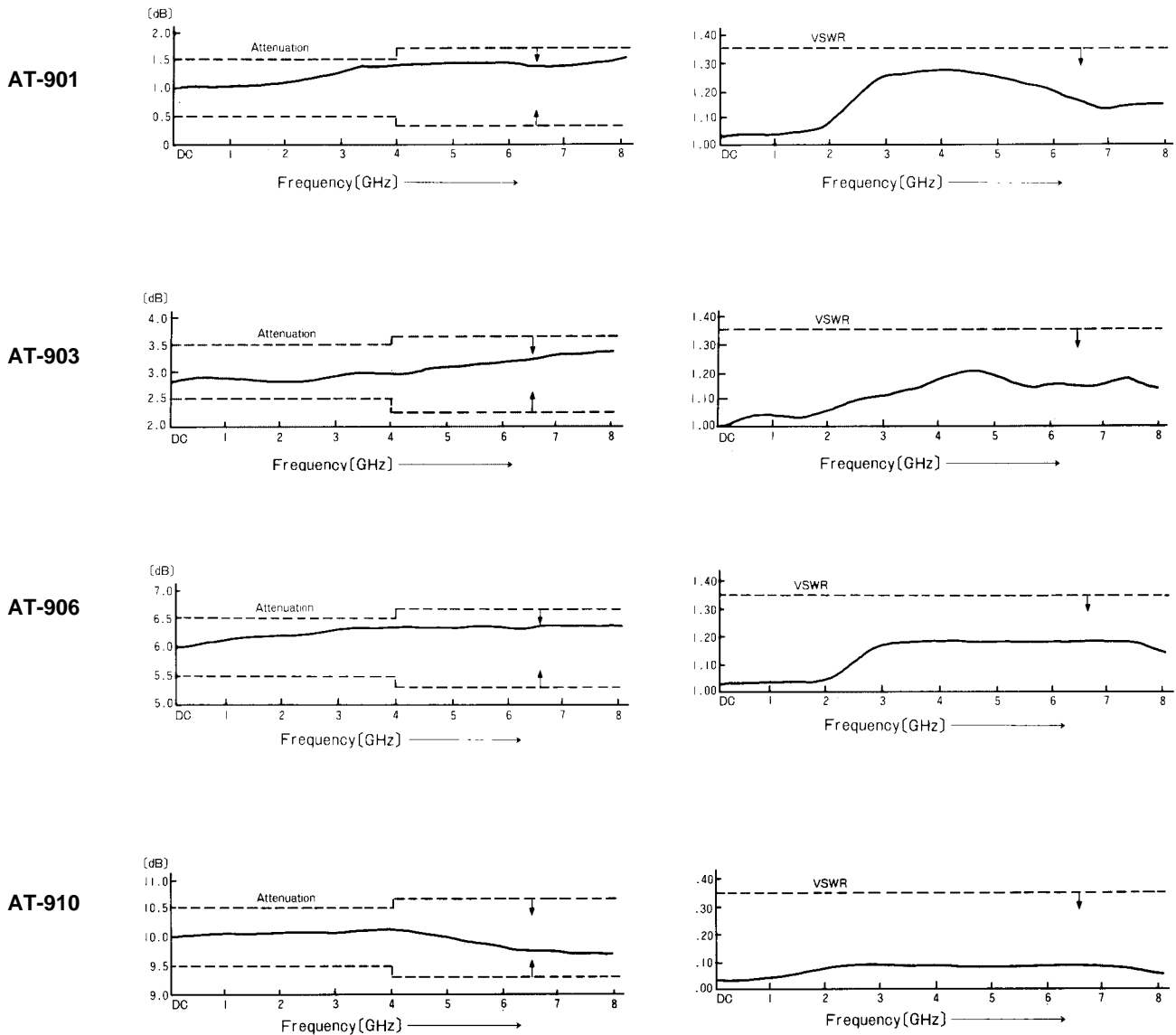
### ■ Ordering Information

**AT - 9 01**  
①                      ②                      ③

|  |   |
|--|---|
| ① AT: Indicates a fixed attenuator         | ③ Attenuation<br>01 : 1dB<br>06 : 6dB<br>00-(0) : 0dB (Through)<br>00-(1.5) : 1.5dB |
| ② Indicates the Series Name: AT-900 Series |   |

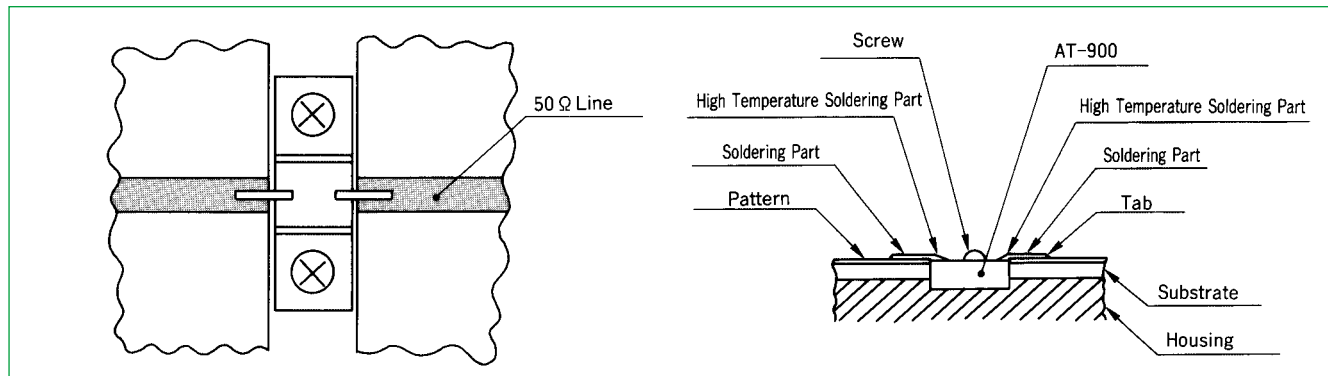


## Typical Data



## Mounting Method

AT-900 Type



- Make the AT-900 tab height from the housing and the thickness of the microstrip board the same amount.
- The tabs are attached with high temperature solder (having a melting point of 280°C). The soldering temperature to the microstrip board must be less than this.