

## FEATURES

- Yaw rate gyro with digital range scaling**  
±80°/sec, ±160°/sec, and ±320°/sec settings
- 14-bit digital gyroscope sensor outputs**
- 12-bit digital temperature sensor output**
- Calibrated sensitivity and bias**  
Extended temperature range  
In-system, auto-zero for bias drift calibration
- Digitally controlled sample rate**
- Digitally controlled frequency response**
- Dual alarm settings with rate/threshold limits**
- Embedded integration for short-term angle estimates**
- Digitally activated self-test**
- Digitally activated low power mode**  
Interrupt-driven wake-up
- SPI®-compatible serial interface**
- 52 Hz Sensor Bandwidth**
- Auxiliary 12-bit ADC input and 12-bit DAC output**
- Auxiliary digital input/output**
- Single-supply operation: 4.75 V to 5.25 V**
- 2000 g powered shock survivability**

## APPLICATIONS

- Instrumentation control
- Platform control and stabilization
- Motion control and analysis
- Avionics instrumentation
- Navigation
- Image stabilization
- Robotics

## GENERAL DESCRIPTION

The ADIS16255 is a complete, angular rate measurement system available in a single compact package enabled by Analog Devices *iSensor™* integration. By enhancing Analog Devices *iMEMS®* sensor technology with an embedded signal processing solution, the ADIS16255 provides factory calibrated and tunable digital sensor data in a convenient format that can be accessed using a simple SPI serial interface. The ADIS16255 provides calibration over an extended temperature range. The SPI interface provides access to measurements for the gyroscope, temperature, power supply, and one auxiliary analog input. Easy access to calibrated digital sensor data provides developers with a system-ready device, reducing development time, cost, and program risk.

The device range can be digitally selected from three different settings: ±80°/sec, ±160°/sec, and ±320°/sec. Unique

### Rev. PrA

Information furnished by Analog Devices is believed to be accurate and reliable. However, no responsibility is assumed by Analog Devices for its use, nor for any infringements of patents or other rights of third parties that may result from its use. Specifications subject to change without notice. No license is granted by implication or otherwise under any patent or patent rights of Analog Devices. Trademarks and registered trademarks are the property of their respective owners.

## FUNCTIONAL BLOCK DIAGRAM

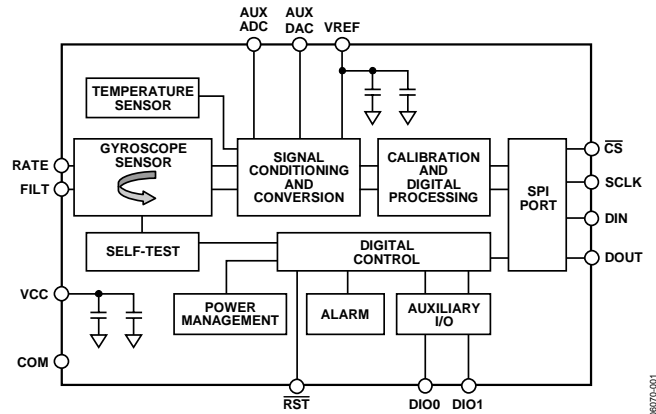


Figure 1.

characteristics of the end system are accommodated easily through several built-in features, including a single-command auto-zero recalibration function, as well as configurable sample rate and frequency response. Additional features can be used to further reduce system complexity, including:

- Configurable alarm function
- Auxiliary 12-bit ADC and DAC
- Two configurable digital I/O ports
- Digital self-test function.

System power dissipation can be optimized via the ADIS16255 power management features, including an interrupt-driven wake-up. The ADIS16255 is available in an 11 mm × 11 mm × 5.5 mm, laminate-based land grid array (LGA) package with a temperature range of -40°C to +85°C.

## TABLE OF CONTENTS

Features .....	1	Temperature Sensor .....	9
Applications.....	1	Auxiliary ADC Function.....	9
Functional Block Diagram .....	1	Basic Operation .....	10
General Description .....	1	Serial Peripheral Interface (SPI).....	10
Specifications.....	3	Data Output Register Access .....	11
Timing Specifications .....	5	Programming and Control.....	13
Absolute Maximum Ratings.....	6	Control Register Overview .....	13
ESD Caution.....	6	Control Register Access.....	13
Pin Configuration and Function Descriptions.....	7	Calibration.....	13
Recommended Layout .....	7	Global Commands .....	14
Typical Performance Characteristics .....	8	Operational Control.....	15
Theory of Operation .....	9	Status and Diagnostics.....	16
Overview.....	9	Outline Dimensions .....	19
Relative Angle Estimate.....	9	Ordering Guide .....	19

## REVISION HISTORY

10/06—Revision PrA: Pre-release

## SPECIFICATIONS

T<sub>A</sub> = -40°C to +85°C, V<sub>CC</sub> = 5.0 V, angular rate = 0°/sec, ±1 g, ±320°/sec range setting, unless otherwise noted.

Table 1.

Parameter	Conditions	Min	Typ	Max	Unit
SENSITIVITY	Clockwise rotation is positive output				
Initial	25°C, dynamic range = ±320°/sec <sup>1</sup>		0.07326		degrees/sec/LSB
	25°C, dynamic range = ±160°/sec		0.03663		degrees/sec/LSB
	25°C, dynamic range = ±80°/sec		0.01832		degrees/sec/LSB
Tolerance	25°C, dynamic range = ±320°/sec	-1		+1	%
Nonlinearity	Best fit straight line		0.1		% of FS
BIAS					
In Run Bias Stability	25°C, 1 σ		0.016		degrees/sec
Turn on—Turn on Bias Stability	25°C, 1 σ		0.035		degrees/sec
Angular Random Walk	25°C, 1 σ		3.6		°/√hr
Linear Acceleration Effect	Any axis		0.2		degrees/sec /g
Voltage Sensitivity	V <sub>CC</sub> = 4.75 V to 5.25 V		1.0		degrees/sec/V
NOISE PERFORMANCE					
Output Noise	At 25°C, ±320°/sec dynamic range, no filtering		TBD		degrees/sec rms
	At 25°C, ±160°/sec dynamic range, minimum four tap filter setting		TBD		degrees/sec rms
	At 25°C, ±80°/sec dynamic range, minimum 16 tap filter setting		TBD		degrees/sec rms
Rate Noise Density	At 25°C, f = 25 Hz, no average		0.05		degrees/sec/√Hz rms
FREQUENCY RESPONSE					
3 dB Bandwidth	See Analog Bandwidth section for adjustment		52		Hz
Sensor Resonant Frequency			14		kHz
Turn-on Time	Power on from SLEEP mode to ±2 degrees/sec of final, no averaging, minimum sample period		TBD		ms
SELF-TEST STATE					
Change for positive stimulus	Relative to output prior to self test	439	721	1092	LSB
Change for negative stimulus	Relative to output prior to self test	-439	-721	-1092	LSB
TEMPERATURE SENSOR					
Output at 25°C			0		LSB
Scale Factor			6.88		LSB/°C
ADC INPUT					
Resolution			12		Bits
Integral Nonlinearity			±2		LSB
Differential Nonlinearity			±1		LSB
Offset Error			±4		LSB
Gain Error			±2		LSB
Input Range		0		2.5	V
Input Capacitance	During acquisition		20		pF
ON-CHIP VOLTAGE REFERENCE					
Accuracy	At 25°C	-10	2.5	+10	mV
Reference Temperature Coefficient			±40		ppm/°K
Output Impedance			70		Ω

DAC OUTPUT		5 k $\Omega$ /100 pF to GND			
Resolution			12	Bits	
Relative Accuracy	For Code 101 to Code 4095		4	LSB	
Differential Nonlinearity			1	LSB	
Offset Error			$\pm 5$	mV	
Gain Error			$\pm 0.5$	%	
Output Range			0 to 2.5	V	
Output Impedance			2	$\Omega$	
Output Settling Time			10	$\mu$ s	
LOGIC INPUTS					
Input High Voltage, $V_{INH}$		2.0		V	
Input Low Voltage, $V_{INL}$			0.8	V	
	For $\overline{CS}$ signal when used to wake up from SLEEP mode		0.55	V	
Logic 1 Input Current, $I_{INH}$	$V_{IH} = 3.3$ V	$\pm 0.2$	$\pm 10$	$\mu$ A	
Logic 0 Input Current, $I_{INL}$	$V_{IL} = 0$ V	40	60	$\mu$ A	
Logic 0 Output Current ( $\overline{RST}$ ) <sup>2</sup>		1		mA	
Input Capacitance, $C_{IN}$		10		pF	
DIGITAL OUTPUTS					
Output High Voltage, $V_{OH}$	$I_{SOURCE} = 1.6$ mA	2.4		V	
Output Low Voltage, $V_{OL}$	$I_{SINK} = 1.6$ mA		0.4	V	
SLEEP TIMER					
Timeout Period <sup>3</sup>		0.5	128	Sec	
FLASH MEMORY					
Endurance <sup>4</sup>		20,000		Cycles	
Data Retention <sup>5</sup>	$T_J = 55^\circ\text{C}$	20		Years	
CONVERSION RATE					
Minimum Conversion Time			3.906	ms	
Maximum Conversion Time			7.75	Sec	
Maximum Throughput Rate			256	SPS	
Minimum Throughput Rate			0.129	SPS	
POWER SUPPLY					
Operating Voltage Range $V_{CC}$		4.75	5.0	5.25	V
Power Supply Current	Normal mode at 25°C		15	19	mA
	Fast mode at 25°C		41	48	mA
	Sleep mode at 25°C		500	750	$\mu$ A

<sup>1</sup> The sensor is capable of  $\pm 600^\circ/\text{sec}$  but the specifications herein are for  $\pm 320^\circ/\text{sec}$  only.

<sup>2</sup> The  $\overline{RST}$  pin has an internal pull-up

<sup>3</sup> Guaranteed by design.

<sup>4</sup> Endurance is qualified as per JEDEC Standard 22 Method A117 and measured at  $-40^\circ\text{C}$ ,  $+25^\circ\text{C}$ ,  $+85^\circ\text{C}$ , and  $+125^\circ\text{C}$ .

<sup>5</sup> Retention lifetime equivalent at junction temperature ( $T_J$ )  $55^\circ\text{C}$  as per JEDEC Standard 22 Method A117. Retention lifetime decreases with junction temperature.

**TIMING SPECIFICATIONS**

$T_A = -40^{\circ}\text{C}$  to  $+85^{\circ}\text{C}$ ,  $V_{CC} = 5.0\text{ V}$ , unless otherwise noted.

**Table 2.**

Parameter	Description	Min <sup>1</sup>	Typ	Max <sup>1</sup>	Unit
$f_{\text{SCLK}}$	Fast mode <sup>2</sup>	0.01		2.5	MHz
	Normal mode <sup>2</sup>	0.01		1.0	MHz
$t_{\text{DATABRATE}}$	Chip select period, fast mode <sup>3</sup>	40			$\mu\text{s}$
$t_{\text{DATABRATE}}$	Chip select period, normal mode <sup>3</sup>	100			$\mu\text{s}$
$t_{\text{CS}}$	Chip select to clock edge	48.8			ns
$t_{\text{DAV}}$	Data output valid after SCLK edge			100	ns
$t_{\text{DSU}}$	Data input setup time before SCLK rising edge	24.4			ns
$t_{\text{DHD}}$	Data input hold time after SCLK rising edge	48.8			ns
$t_{\text{DF}}$	Data output fall time		5	12.5	ns min
$t_{\text{DR}}$	Data output rise time		5	12.5	ns min
$t_{\text{SFS}}$	$\overline{\text{CS}}$ high after SCLK edge	5			ns typ

<sup>1</sup> Guaranteed by design, typical specifications are not tested or guaranteed.

<sup>2</sup> Based upon sample rate selection.

<sup>3</sup> This number can be used to calculate  $t_{\text{STALL}}$  number in Figure 2

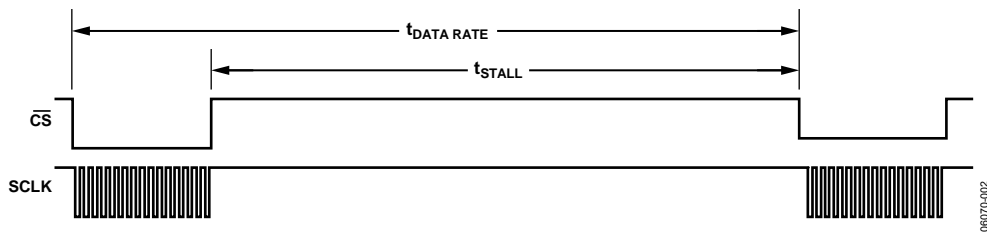


Figure 2. SPI Chip Select Timing

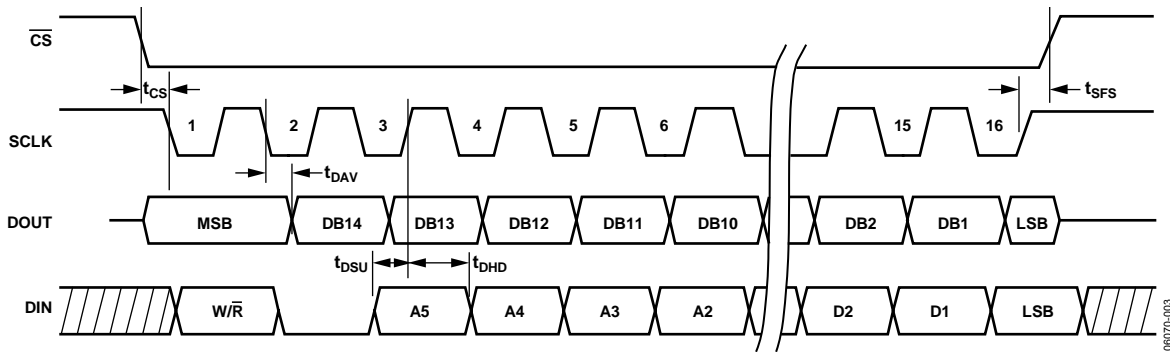


Figure 3. SPI Timing  
(Utilizing SPI Settings Typically Identified as Phase = 1, Polarity = 1)

### ABSOLUTE MAXIMUM RATINGS

Table 3.

Parameter	Rating
Acceleration (Any Axis, Unpowered, 0.5 ms)	2000 g
Acceleration (Any Axis, Powered, 0.5 ms)	2000 g
V <sub>CC</sub> to COM	-0.3 V to +6.0 V
Digital Input/Output Voltage to COM	-0.3 V to +5.5 V
Analog Inputs to COM	-0.3 V to +3.5 V
Operating Temperature Range <sup>1</sup>	-40°C to +125°C
Storage Temperature Range <sup>1</sup>	-65°C to +150°C

<sup>1</sup> Extended exposure to temperatures outside of the specified temperature range of -40°C to +85°C can adversely affect the accuracy of the factory calibration. For best accuracy, store the parts within the specified operating range of -40°C to +85°C.

Stresses above those listed under Absolute Maximum Ratings may cause permanent damage to the device. This is a stress rating only; functional operation of the device at these or any other conditions above those indicated in the operational section of this specification is not implied. Exposure to absolute maximum rating conditions for extended periods may affect device reliability.

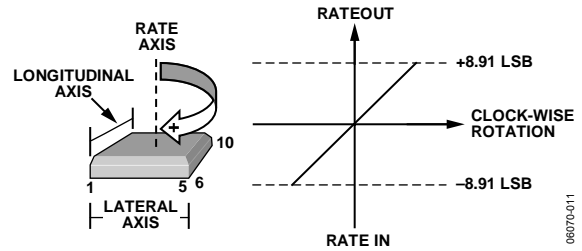


Figure 4. RATE OUT Level Increase with Clockwise Rotation Increase

### ESD CAUTION

ESD (electrostatic discharge) sensitive device. Electrostatic charges as high as 4000V readily accumulate on the human body and test equipment and can discharge without detection. Although this product features proprietary ESD protection circuitry, permanent damage may occur on devices subjected to high energy electrostatic discharges. Therefore, proper ESD precautions are recommended to avoid performance degradation or loss of functionality.



# PIN CONFIGURATION AND FUNCTION DESCRIPTIONS

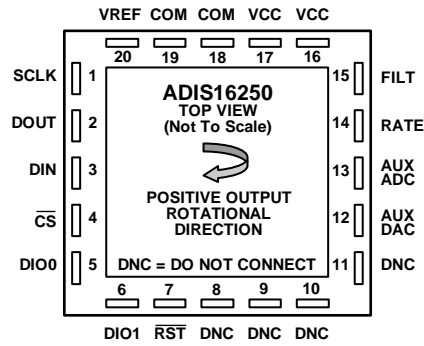


Figure 5. Pin Configuration

Table 4. Pin Function Descriptions

Pin No.	Mnemonic	Type <sup>1</sup>	Description
1	SCLK	I	SPI, Serial Clock.
2	DOUT	O	SPI, Data Output.
3	DIN	I	SPI, Data Input.
4	$\overline{CS}$	I	SPI, Chip Select, Active Low.
5, 6	DIO0, DIO1	I/O	Multifunction Digital Input/Output Pin.
7	RST	I	Reset, Active Low. This resets the sensor signal conditioning circuit and initiates a start-up sequence.
8, 9, 10, 11	DNC	-	Do Not Connect.
12	AUX DAC	O	Auxiliary DAC Analog Output Voltage.
13	AUX ADC	I	Auxiliary ADC Analog Input Voltage.
14	RATE	O	Analog Rate Signal Output (uncalibrated).
15	FILT	I	Analog Amplifier Summing Junction. This is used for setting the analog bandwidth. See Analog Bandwidth section for more details.
16, 17	V <sub>CC</sub>	S	5.0 V Power Supply.
18, 19	COM	S	Common. Reference point for all circuitry in the ADIS16255.
20	V <sub>REF</sub>	O	Precision Reference Output.

<sup>1</sup> S = supply; O = output; I = input.

## RECOMMENDED LAYOUT

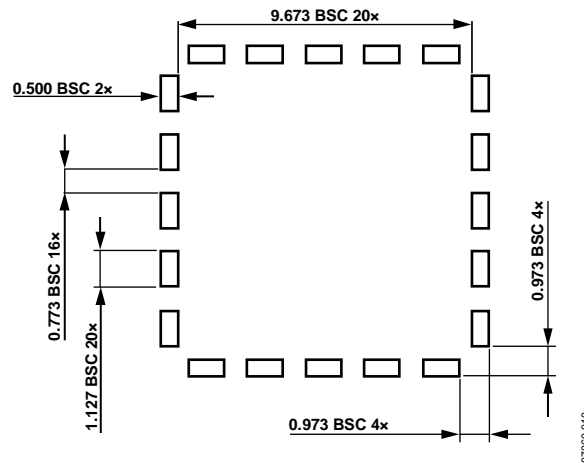


Figure 6. Recommended Pad Layout

**TYPICAL PERFORMANCE CHARACTERISTICS**



Figure 7.



Figure 10.



Figure 8.



Figure 11.



Figure 9.



Figure 12.



## THEORY OF OPERATION

### OVERVIEW

The core angular rate sensor integrated inside the ADIS16255 is based on Analog Devices iMEMS technology. This sensor operates on the principle of a resonator gyro. Two polysilicon sensing structures each contain a dither frame, which is electrostatically driven to resonance. This produces the necessary velocity element to produce a Coriolis force during rotation. At two of the outer extremes of each frame, orthogonal to the dither motion, are movable fingers that are placed between fixed fingers to form a capacitive pickoff structure that senses Coriolis motion. The resulting signal is fed to a series of gain and demodulation stages that produce the electrical rate signal output.

The base sensor output signal is sampled using an ADC, and then the digital data is fed into a proprietary digital calibration circuit. This circuit contains calibration coefficients from the factory calibration, along with user-defined calibration registers that can be used to calibrate system-level errors.

The calibrated gyro data (GYRO\_OUT) is made available through output data registers along with temperature, power supply, auxiliary ADC, and relative angle output calculations.

### RELATIVE ANGLE ESTIMATE

The ANGL\_OUT register offers the integration of the GYRO\_OUT data. In order for this information to be useful, the reference angle must be known. This can be accomplished by reading the register contents at the initial time, before starting the monitoring, or by setting its contents to zero. This number is reset to zero when the NULL command is used, after a RESET command is used, and during power-up. This function can be used to estimate change in angle over a period. The user is cautioned to fully understand the stability requirements and the time period over which to use this estimated relative angle position.

### TEMPERATURE SENSOR

An internal temperature sensor monitors the sensor's junction temperature. The TEMP\_OUT data register provides a digital representation of this measurement. This sensor provides a convenient temperature measurement for system-level characterization and calibration feedback.

### AUXILIARY ADC FUNCTION

The auxiliary ADC function integrates a standard 12-bit ADC into the ADIS16255 to digitize other system-level analog signals. The output of the ADC can be monitored through the AUX\_ADC control register, as defined in Table 6. The ADC is a 12-bit successive approximation converter. The output data is presented in straight binary format with the full-scale range extending from 0 V to  $V_{REF}$ . A high precision, low drift, factory calibrated 2.5 V reference is also provided.

Figure 13 shows the equivalent circuit of the analog input structure of the ADC. The input capacitor, C1, is typically 4 pF and can be attributed to parasitic package capacitance. The two diodes provide ESD protection for the analog input. Care must be taken to ensure that the analog input signals never exceed the supply rails by more than 300 mV. This would cause these diodes to become forward-biased and start conducting. They can handle 10 mA without causing irreversible damage. The resistor is a lumped component that represents the on resistance of the switches. The value of this resistance is typically 100  $\Omega$ . Capacitor C2 represents the ADC sampling capacitor and is typically 16 pF.

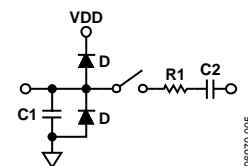


Figure 13. Equivalent Analog Input Circuit  
Conversion Phase: Switch Open  
Track Phase: Switch Closed

For ac applications, removing high frequency components from the analog input signal is recommended by the use of a low-pass filter on the analog input pin.

In applications where harmonic distortion and signal-to-noise ratio are critical, the analog input must be driven from a low impedance source. Large source impedances significantly affect the ac performance of the ADC. This can necessitate the use of an input buffer amplifier. When no input amplifier is used to drive the analog input, the source impedance should be limited to values lower than 1 k $\Omega$ .

## BASIC OPERATION

The ADIS16255 is designed for simple integration into industrial system designs, requiring only a 5.0 V power supply and a 4-wire, industry standard serial peripheral interface (SPI). All outputs and user-programmable functions are handled by a simple register structure. Each register is 16 bits in length and has its own unique bit map. The 16 bits in each register consist of an upper (D8 to D15) and lower (D0 to D7) byte, each of which has its own 6-bit address.

### SERIAL PERIPHERAL INTERFACE (SPI)

The purpose of this section is to provide a basic description of SPI operation in the ADIS16255. Please refer to Table 2, Figure 2, and Figure 3 for detailed timing and operation of this port.

The ADIS16255 SPI port includes four signals: chip select ( $\overline{CS}$ ), serial clock (SCLK), data input (DIN), and data output (DOUT). The  $\overline{CS}$  line enables the ADIS16255 SPI port and, in effect, frames each SPI event. When this signal is high, the DOUT lines are in a high impedance state, and the signals on DIN and SCLK have no impact on operation. A complete data frame contains 16 clock cycles. Because the SPI port operates in full duplex mode, it supports simultaneous, 16-bit receive (DIN) and transmit (DOUT) functions during the same data frame.

### Writing to Registers

Figure 14 displays a typical data frame for writing a command to a control register. In this case, the first bit of the DIN sequence is a 1, followed by a 0, then the 6-bit address and the 8-bit data command. Because each write command covers a single byte of data, two data frames are required when writing the entire 16-bit space of a register.

### Reading from Registers

Reading the contents of a register requires a modification to the sequence in Figure 14. In this case, the first two bits in the DIN sequence are 0, followed by the address of the register. Each register has two addresses (upper, lower), but either one can be used to access its entire 16 bits of data. The final 8 bits of the DIN sequence are irrelevant and can be counted as “don’t cares” during a read command. Then, during the next data frame, the DOUT sequence contains the register’s 16-bit data, as shown in Figure 15. Even though a single read command requires two separate data frames, the full duplex mode minimizes this overhead, requiring only one extra data frame when continuously sampling.

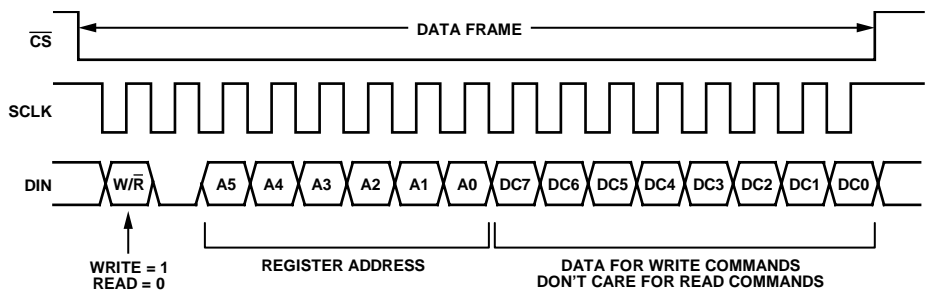


Figure 14. DIN Bit Sequence

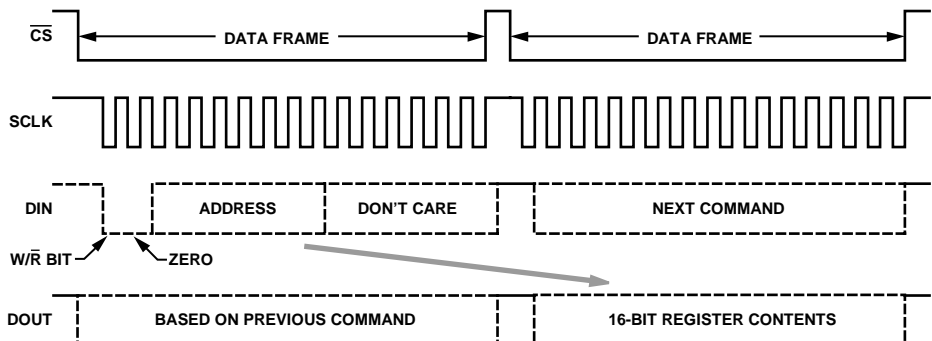


Figure 15. SPI Sequence for Read Commands

**DATA OUTPUT REGISTER ACCESS**

The ADIS16255 provides access to calibrated rotation measurements, relative angle estimates, power supply measurements, temperature measurements, and an auxiliary 12-bit ADC channel. This output data is continuously updating internally, regardless of user read rates. The following bit map describes the structure of all output data registers in the ADIS16255.

**Table 5. Register Bit Map**

<b>MSB</b>							<b>LSB</b>
ND	EA	D13	D12	D11	D10	D9	D8
D7	D6	D5	D4	D3	D2	D1	D0

Table 6 and provides all of the necessary details for accessing each register’s data. Table 7 displays the output coding for the

The MSB holds the new data (ND) indicator. When the output registers are updated with new data, the ND bit goes to a 1 state. After the output data is read, it returns to a 0 state. The EA bit is used to indicate a system error or an alarm condition that can result from a number of conditions, such as a power supply that is out of the specified operating range. See the Status and Diagnostics section for more details. The output data is either 12 bits or 14 bits in length. For all of the 12-bit output data, the D13 bit and the D12 bit are assigned “don’t care” status.

The output data register map is located in

GYRO\_OUT register. Figure 16 provides an example SPI read cycle for this register.

**Table 6. Data Output Register Information**

Name	Function	Address	Resolution (Bits)	Data Format	Scale Factor (per LSB)
ENDURANCE	Flash Memory Write Counter	0x01, 0x00	16	Binary	N/A
SUPPLY_OUT	Power Supply Data	0x03, 0x02	12	Binary	1.832 mV
GYRO_OUT	Gyroscope Data	0x05, 0x04	14	Twos Complement	0.07326°/sec <sup>1</sup>
AUX_ADC	Auxiliary Analog Input Data	0x0B, 0x0A	12	Binary	0.61 mV
TEMP_OUT	Sensor Temperature Data	0x0D, 0x0C	12	Twos Complement	+0.1453°C
ANGL_OUT	Angle Output	0x0F, 0x0E	14	Binary	0.03663°

**Table 7. Output Coding Example, GYRO\_OUT<sup>2,3</sup>**

Rate of Rotation					
±320°/sec Range	±160°/sec Range	±80°/sec Range	Binary Output	HEX Output	Decimal
600°/sec	300°/sec	150°/sec	01 1111 1111 1111	0x1FFF	8191
320°/sec	160°/sec	80°/sec	01 0001 0001 0001	0x1110	4368
80°/sec	40°/sec	20°/sec	00 0100 0100 0100	0x0444	1092
40°/sec	20°/sec	10°/sec	00 0010 0010 0010	0x0222	546
0.07326°/sec	0.03663°/sec	0.018315°/sec	00 0000 0000 0001	0x0001	1
0°/sec	0°/sec	0°/sec	00 0000 0000 0000	0x0000	0
-0.07326°/sec	-0.03663°/sec	-0.018315°/sec	11 1111 1111 1111	0x3FFF	-1
-40°/sec	-20°/sec	-10°/sec	11 1101 1101 1110	0x3DDE	-546
-80°/sec	-40°/sec	-20°/sec	11 1011 1011 1100	0x3BBC	-1092
-320°/sec	-160°/sec	-80°/sec	10 1110 1111 0000	0x2EF0	-4368
-600°/sec	-300°/sec	-150°/sec	10 0000 0000 0000	0x2000	-8192

<sup>1</sup> Assumes that the scaling is set to 320°/sec.  
<sup>2</sup> Two MSBs have been masked off and are not considered in the coding.  
<sup>3</sup> Nominal sensitivity and zero offset null performance are assumed.

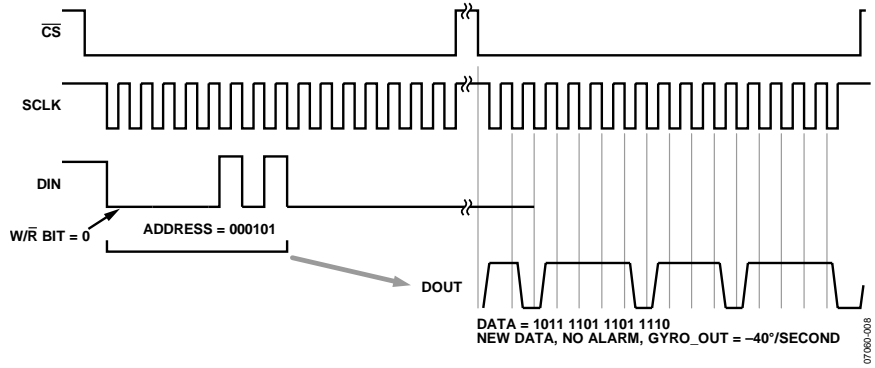


Figure 16. Example Read Cycle

## PROGRAMMING AND CONTROL

### CONTROL REGISTER OVERVIEW

The ADIS16255 offers many programmable features that are controlled by writing commands to the appropriate control registers using the SPI. The following sections describe these controls and specify each function and corresponding register configuration. A list of features available for configuration in this register space follows:

- Calibration
- Global commands
- Operational Control
  - Sample rate
  - Power management
  - Digital filtering
  - Dynamic range
  - DAC output
  - Digital I/O
- Operational Status and Diagnostics
  - Self test
  - Status conditions
  - Alarms

### CONTROL REGISTER ACCESS

Table 8 displays the control register map for the ADIS16255, including address, volatile status, basic function, and accessibility (read/write). The following sections contain detailed descriptions and configurations for each of these registers.

The ADIS16255 is a flash-based device with the nonvolatile functional registers implemented as flash registers. Take into account the endurance limitation of 20,000 writes when considering the system-level integration of these devices. The ENDURANCE register (see Table 30) maintains a flash memory write count, which provides a tool for keeping track of this limit. The nonvolatile column in Table 8 indicates the registers that are recovered on power-up. The user must use a manual flash update command (using the command register) to store the nonvolatile data registers once they are configured properly. When performing a manual flash update command, the user needs to ensure that the power supply remains within limits for a minimum of 50 ms after the start of the update. This ensures a successful write of the nonvolatile data.

**Table 8. Control Register Mapping**

Register Name	Type	Volatility	Address	Bytes	Function	Reference Table
			0x10	4	Reserved	
GYRO_OFF	R/W	Nonvolatile	0x14	2	Gyroscope bias offset factor	Table 9, Table 10
GYRO_SCALE	R/W	Nonvolatile	0x16	2	Gyroscope scale factor	Table 11, Table 12
			0x18 to to 0x1F	8	Reserved	
ALM_MAG1	R/W	Nonvolatile	0x20	2	Alarm 1 amplitude threshold	Table 31, Table 32
ALM_MAG2	R/W	Nonvolatile	0x22	2	Alarm 2 amplitude threshold	Table 35, Table 36
ALM_SMPL1	R/W	Nonvolatile	0x24	2	Alarm 1 sample period	Table 33, Table 34
ALM_SMPL2	R/W	Nonvolatile	0x26	2	Alarm 2 sample period	Table 25, Table 26
ALM_CTRL	R/W	Nonvolatile	0x28	2	Alarm source control register	Table 37, Table 38
			0x2A to 0x2F	6	Reserved	
AUX_DAC	R/W	Volatile	0x30	2	Auxiliary DAC data	Table 21, Table 22
GPIO_CTRL	R/W	Volatile	0x32	2	Auxiliary digital I/O control register	Table 23, Table 24
MSC_CTRL	R/W	Nonvolatile <sup>1</sup>	0x34	2	Miscellaneous control register	Table 26, Table 27
SMPL_PRD	R/W	Nonvolatile	0x36	2	ADC sample period control	Table 15, Table 16
SENS/AVG	R/W	Nonvolatile	0x38	2	Defines the dynamic range (sensitivity setting) and the number of taps for the digital filter	Table 19, Table 20
SLP_CNT	R/W	Volatile	0x3A	2	Counter used to determine length of power-down mode	Table 17, Table 18
STATUS	R	Volatile	0x3C	2	System status register	Table 28, Table 29
COMMAND	W	N/A	0x3E	2	System command register	Table 13, Table 14

<sup>1</sup> The contents of the upper byte are non-volatile and the contents of the lower byte are volatile

**CALIBRATION**

The ADIS16255 is factory-calibrated for sensitivity and bias. It also provides several user calibration functions for simplifying field-level corrections. The calibration factors are stored in nonvolatile memory and are applied using the following linear calibration equation:

$$y = mx + b$$

Where :

y = Calibrated output data    x = Pre - calibration data

m = Sensitivity scale factor    b = Offset scale factor

There are three options for system-level calibrations of the bias in the ADIS16255: auto null, factory calibration restore, and manual calibration updates. The auto null and factory reset options are described in the Global Commands section. Optional field-level calibrations use the above equation and require two steps:

(1) characterize the behavior of the ADIS16255 at predefined critical operating conditions, and (2) use this characterization data to calculate and load the appropriate adjustment factors into the GYRO\_OFF (“b”). The GYRO\_SCALE (“m”) register can also be adjusted to implement corrections in the sensitivity scale factor through the system calibration process.

The GYRO\_OFF provides a calibration range of ±37.5°/sec, and its contents are nonvolatile. The GYRO\_SCALE register provides a calibration range of 0 to 1.9995, and its contents are nonvolatile as well.

**Table 9. GYRO\_OFF Register Definition**

Address	Scale <sup>1</sup>	Default	Format	Access
0x11, 0x10	0.018315°/sec	0x0000	Twos complement	R/W

<sup>1</sup> Scale is the weight of each LSB.

**Table 10. GYRO\_OFF Bit Designations**

Bit	Description
15:12	Not used
11:0	Data bits

**Table 11. GYRO\_SCALE Register Definition**

Address	Scale <sup>1</sup>	Default <sup>2</sup>	Format	Access
0x13, 0x12	0.0488%	0x0800	Binary	R/W

<sup>1</sup> Scale is the weight of each LSB. <sup>2</sup> Equates to a scale factor of one..

**Table 12. GYRO\_SCALE Bit Designations**

Bit	Description
15:12	Not used
11:0	Data bits

Refer to AN-879 for a detailed description of calibrating the ADIS16255, and other MEMS gyroscopes.

**GLOBAL COMMANDS**

The ADIS16255 provides global commands for common operations, such as auto null, factory calibration restore, manual FLASH update, auxiliary DAC latch, and software reset. Each of these global commands have a unique control bit assigned to them in the COMMAND register and are initiated by writing a 1 to its assigned bit.

The auto null function does two different things: it resets the contents of the ANGL\_OUT register to zero and it adjusts the GYRO\_OUT register to zero. This automated adjustment takes two steps: (1) read GYRO\_OUT and (2) write the opposite of this value into the GYRO\_OFF register. Sensor noise influences the accuracy of this step. For optimal calibration accuracy, set the number of filtering taps to its maximum, wait for the appropriate number of samples to process through the filter, and then exercise this option.

The “factory calibration restore” command sets the contents of GYRO\_OFF to 0x0000 and GYRO\_SCALE to 0x0800, erasing any field-level calibration contents. The manual FLASH update writes the contents of each nonvolatile register into FLASH memory for storage. This process takes approximately 50 ms and requires the power supply voltage to be within specification for the duration of the event. It is worth noting that this operation also automatically follows the auto null and factory reset commands.

The DAC latch command loads the contents of AUX\_DAC into the DAC latches. Since the AUX\_DAC contents must be updated one byte at a time, this command ensures a stable DAC output voltage during updates. Finally, the software reset command sends the ADIS16255’s digital processor into a re-start sequence, effectively doing the same thing as the RST line.

**Table 13. COMMAND Register Definition**

Address	Default	Format	Access
0x3F, 0x3E	N/A	N/A	Write only

**Table 14. COMMAND Bit Descriptions**

Bit	Description
15:8	Not used
7	Software reset command
6:4	Not used
3	Manual FLASH update command
2	Auxiliary DAC data latch
1	Factory Calibration Restore command
0	Auto null command

**OPERATIONAL CONTROL**

**Internal Sample Rate**

The internal sample rate defines how often data output variables are updated, independent of the rate at which they are read out on the SPI port. The SMPL\_PRD register controls the ADIS16255 internal sample rate and has two parts: a selectable time base and a multiplier. The sample period can be calculated using the following equation:

$$T_B = \text{Time base} \quad N_S = \text{Increment setting}$$

$$T_S = \text{Sample period}$$

$$T_S = T_B \times (N_S + 1)$$

The default value is the maximum 256 samples per second, and the contents of this register are nonvolatile.

**Table 15. SMPL\_PRD Register Definition**

Address	Default	Format	Access
0x37, 0x36	0x0001	N/A	R/W

**Table 16. SMPL\_PRD Bit Descriptions**

Bit	Description
15:8	Not used
7	Time base, 0 = 1.953 ms, 1 = 60.54 ms
6:0	Multiplier

Here is an example calculation of the sample period for the ADIS16255.

If  $SMPL\_PRD = 0x0007$ ,  $B7 - B0 = 00000111$   
 $B7 = 0 \Rightarrow T_B = 1.953ms$   
 $B6...B0 = 0000111 \Rightarrow N_S = 7$   
 $T_S = T_B \times (N_S + 1) = 1.953ms \times (7 + 1) = 15.624ms$   
 $f_s = 1/T_S = 64SPS$

The sample rate setting has a direct impact on the SPI data rate capability. For sample rates of 64 SPS and above, the SPI SCLK can run at a rate up to 2.5 MHz. For sample rates below 64 SPS, the SPI SCLK can run at a rate up to 1 MHz.

The sample rate setting also affects the power dissipation. When the sample rate is set below 64 SPS, the power dissipation reduces by a factor of 60%. The two different modes of operation offer a system-level trade-off between performance (sample rate, serial transfer rate) and power dissipation.

**Power Management**

In addition to offering two different performance modes for power optimization, the ADIS16255 offers a programmable shutdown period. Writing the appropriate sleep time to the SLP\_CNT register shuts the device down for the specified time. The following example provides an illustration of this relationship:

$B7 \dots B0 = 00000110$   
 Sleep period = 3 seconds

After completing this sleep period, the ADIS16255 returns to normal operation. If measurements are required before sleep period completion, the ADIS16255 can be awakened by putting the CS line in a zero logic state. Otherwise, the CS line must be kept high to maintain sleep mode.

**Table 17. SLP\_CNT Register Definition**

Address	Scale <sup>1</sup>	Default	Format	Access
0x3B, 0x3A	0.5sec	0x0000	Binary	R/W

<sup>1</sup> Scale is the weight of each LSB.

**Table 18. SLP\_CNT Bit Designations**

Bit	Description
15:8	Not used
7:0	Data bits

**Analog Bandwidth**

The analog bandwidth of the ADIS16255 is 52 Hz. This bandwidth can be reduced by placing an external capacitor across the RATE and FILT pins. In this case, the analog bandwidth can be calculated using the following equation:

$$f_{OUT} = 1/(2 \times \pi \times (C_{OUT} + 0.068 \mu F))$$

$$R_{OUT} = 45.22 k\Omega$$

$C_{OUT}$  = External capacitance

**Digital Filtering**

The ADIS16255 GYRO\_OUT signal path has a nominal analog bandwidth of 52 Hz. The ADIS16255 provides a Bartlett Window FIR filter for additional noise reduction on all of the output data registers. The SENS/AVG register stores the number of taps in this filter in seven, power of two-step sizes (i.e.  $-2^M = 1, 2, 4, 16, 32, 64, \text{ and } 128$ ). Filter setup requires one simple step: write the appropriate M factor to the assigned bits in the SENS/AVG register. The bit assignments are listed in Table 20. The following equation offers a frequency response relationship for this filter.

$$H_B(f) = H_A^2(f) \Rightarrow H_A(f) = \frac{\sin(\pi \times N \times f \times t_s)}{N \times \sin(\pi \times f \times t_s)}$$

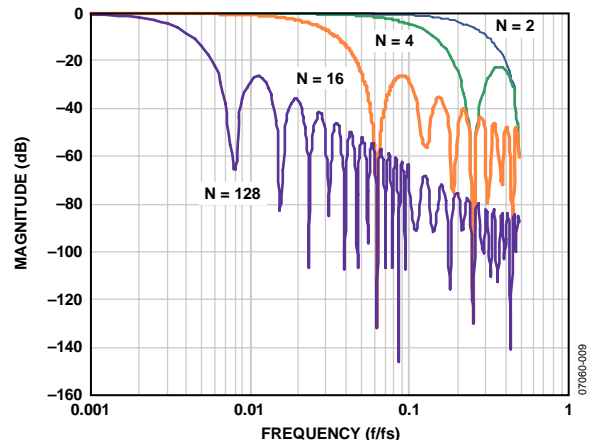


Figure 17. Bartlett Window FIR Frequency Response

**Dynamic Range**

The ADIS16255 provides three dynamic range settings:  $\pm 80^\circ/\text{sec}$ ,  $\pm 160^\circ/\text{sec}$ , and  $\pm 320^\circ/\text{sec}$ . The lower dynamic range settings (80, 160) limit the minimum filter tap sizes in order to maintain the resolution as the maximum rate measurements decrease. The recommended order for programming the SENS/AVG register is (1) dynamic range and then (2) filtering response. The contents of the SENS/AVG register are nonvolatile.

**Table 19. SENS/AVG Register Definition**

Address	Default	Format	Access
0x39, 0x38	0x0402	Binary	R/W

**Table 20. SENS/AVG Bit Description**

Bit	Value	Description
15:11		Not used
10:8		Sensitivity selection bits
	100	320°/sec (default condition)
	010	160°/sec, filter taps $\geq 4$ (bit 3:0 $\geq 0x02$ )
	001	80°/sec, filter taps $\geq 16$ (bit 3:0 $\geq 0x04$ )
7:4		Not used
3:0		Filter tap setting, M = binary number (number of taps, $N = 2^M$ )

**Auxiliary DAC**

The auxiliary DAC provides a 12-bit level adjustment function. The AUX\_DAC register controls the operation of this feature. It offers a rail-to-rail buffered output that has a range of 0 V to 2.5 V. The DAC can drive its output to within 5 mV of the ground reference when it is not sinking current. As the output approaches ground, the linearity begins to degrade (100 LSB beginning point). As the sink current increases, the nonlinear range increases. The DAC output latch function, contained in the COMMAND register, provides continuous operation while writing each byte of this register. The contents of this register are volatile, which means that the desired output level must be set after every reset and power cycle event.

**Table 21. AUX\_DAC Register Definition**

Address	Default	Format	Access
0x31, 0x30	0x0000	Binary	R/W

**Table 22. AUX\_DAC Bit Descriptions**

Bit	Description
15:12	Not used
11:0	Data bits

**General Purpose I/O**

The ADIS16255 provides two general-purpose pins that enable digital I/O control using the SPI. The GPIO\_CTRL control register establishes the configuration of these pins and handles the SPI-to-pin controls. Each pin provides the flexibility of both input (read) and output (write) operations. For example, writing a 0x0202 to this register establishes Line 0 as an output and set its level as a one. Writing 0x0000 to this register establishes both lines as inputs, and their status can be read through Bit 0 and Bit 1 of this register.

The digital I/O lines are also available for data ready and alarm/error indications. In the event of conflict, the following priority structure governs the digital I/O configuration:

1. GPIO\_CTRL
2. MSC\_CTRL
3. ALM\_CTRL

**Table 23. GPIO\_CTRL Register Definition**

Address	Default	Format	Access
0x33, 0x32	0x0000	N/A	R/W

**Table 24. GPIO\_CTRL Bit Descriptions**

Bit	Description
15:10	Not used
9	General purpose I/O line 0, data direction control 1 = output, 0 = input
8	General purpose I/O line 1, data direction control 1 = output, 0 = input
7:2	Not used
1	General purpose I/O line 0 polarity 1 = high, 0 = low
0	General purpose I/O line 1 polarity 1 = high, 0 = low

**STATUS AND DIAGNOSTICS**

The ADIS16255 provides a number of status and diagnostic functions. Table 25 provides a summary of these functions, along with their appropriate control registers.

**Table 25. Status and Diagnostic Functions**

Function	Register
Data ready I/O indicator	MSC_CTRL
Self test, mechanical check for MEMS sensor	MSC_CTRL
Status Check for predefined output conditions	STATUS
Flash memory endurance	ENDURANCE
Alarms Configure and check for user-specific conditions	ALM_MAG1/2 ALM_SMPL1/2 ALM_CTRL



**Data-Ready I/O Indicator**

The data-ready function provides an indication of updated output data. The MSC\_CTRL control register provides the opportunity to configure either of the general-purpose I/O pins (DIO0 and DIO1) as a data-ready indicator signal.

**Table 26. MSC\_CTRL Register Definition**

Address	Default	Format	Access
0x35, 0x34	0x0000	N/A	R/W

**Table 27. MSC\_CTRL Bit Descriptions**

Bit	Description
15:11	Not used
10	Internal self-test enable: 1 = enabled, 0 = disabled.
9	External negative rotation self-test enable 1 = enabled, 0 = disabled.
8	External positive rotation self-test enable 1 = enabled, 0 = disabled.
7:3	Not used
2	Data-ready enable: 1 = enabled, 0 = disabled
1	Data-ready polarity: 1 = active high, 0 = active low
0	Data-ready line select: 1 = DIO1, 0 = DIO0

**Self Test**

The MSC\_CTRL register also provides a self-test function, which verifies the MEMS sensor’s mechanical integrity. There are two different self-test options: (1) internal self-test and (2) external self-test. The internal test provides a simple, two-step process for checking the MEMS sensor: (1) start the process by writing a 1 to Bit 10 in the MSC\_CTRL register and (2) check the result by reading Bit 5 of the STATUS register.

The external self-test is a static condition that can be enabled and disabled. In this test, both positive and negative MEMS sensor movements are available. After writing to the appropriate control bit, the GYRO\_OUT register reflects the changes after a delay that reflects the sensor signal chain response time. For example, the standard 52 Hz bandwidth reflects an exponential response with a time constant of 2 ms. The appropriate bit definitions for self-test are listed in Table 26 and Table 27.

**Status Conditions**

The STATUS register contains the following error-condition flags: Alarm conditions, self-test status, angular rate over range, SPI communication failure, control register update failure, and power supply out of range. See Table 28 and Table 29 for the appropriate register access and bit assignment for each flag. The bits assigned for checking power supply range and angular rate over range automatically reset to zero when the error condition no longer exists. The remaining error-flag bits in the STATUS register require a read in order to return them to zero. Note that a STATUS register read clears all of the bits to 0.

**Table 28. STATUS Register Definition**

Address	Default	Format	Access
0x3D, 0x3C	0x0000	N/A	Read only

**Table 29. STATUS Bit Descriptions**

Bit	Description
15:10	Not used
9	Alarm 2 status: 1 = active, 0 = inactive
8	Alarm 1 status: 1 = active, 0 = inactive
7:6	Not used
5	Self-test diagnostic error flag 1 = error condition, 0 = normal operation
4	Angular rate over range 1 = error condition, 0 = normal operation
3	SPI communications failure 1 = error condition, 0 = normal operation
2	Control register update failed 1 = error condition, 0 = normal operation
1	Power supply in range above 5.25 V 1 = above 5.25 V, 0 = below 5.25V (normal)
0	Power supply below 4.75 V 1 = below 4.75 V, 0 = above 4.75V (normal)

**Flash Memory Endurance**

The ENDURANCE register maintains a running count of writes to the Flash memory.

**Table 30. ENDURANCE Register Definition**

Address	Default	Format	Access
0x01, 0x00	N/A	Binary	R

**Alarms**

The ADIS16255 provides two independent alarm options for event detection. Event detections occur when output register data meets the configured conditions. Configuration options are:

- All output data registers are available for monitoring as the source data
- The source data can be filtered or unfiltered
- Comparisons can be static or dynamic (rate of change)
- The threshold levels and times are configurable
- Comparison can be greater than or less than

The ALM\_MAG1 register and ALM\_MAG2 register establish the threshold level for detecting events. They take on the format of the source data and provide a bit for establishing the greater than/less than comparison direction. When making dynamic comparisons, the ALM\_SMPL1 register and the ALM\_SMPL2 register establish the number of averages taken for the source data as a reference for comparison. In this configuration, each subsequent source data sample is subtracted from the previous one, establishing an instantaneous delta.

The ALM\_CTRL register controls the source data selection, static/dynamic selection, filtering selection and digital I/O usage for the alarms.

### Rate of Change Calculation

$N_{DS}$  = Number of samples in ALM\_SMPL1/2

$y(n)$  = Sampled Output Data

$M_C$  = Magnitude for comparison in ALM\_MAG1/2

$Y_C$  = Factor to be compared with  $M_C$

$$Y_C = \frac{1}{N_{DS}} \sum_{n=1}^{N_{DS}} y(n+1) - y(n)$$

Rate of Change Alarm  $\Rightarrow$

Compare  $Y_C$  with  $M_C$  according to ALM\_MAG1/2 MSB (> or < ?)

**Table 31. ALM\_MAG1 Register Definition**

Address	Default	Format	Access
0x21, 0x20	0x0000	N/A	R/W

The ALM\_MAG1 register contains the threshold level for Alarm 1. The contents of this register are nonvolatile.

**Table 32. ALM\_MAG1 Bit Designations**

Bit	Description
15	Comparison polarity: 1 = greater than, 0 = less than
14	Not used
13:0	Data bits: format matches source data format

**Table 33. ALM\_SMPL1 Register Definition**

Address	Default	Format	Access
0x25, 0x24	0x0000	Binary	R/W

**Table 34. ALM\_SMPL1 Bit Designations**

Bit	Description
15:8	Not used
7:0	Data bits

**Table 35. ALM\_MAG2 Register Definition**

Address	Default	Format	Access
0x23, 0x22	0x0000	N/A	R/W

**Table 36. ALM\_MAG2 Bit Designations**

Bit	Description
15	Comparison polarity: 1 = greater than, 0 = less than
14	Not used
13:0	Data bits: format matches source data format

**Table 37. ALM\_SMPL2 Register Definition**

Address	Default	Format	Access
0x27, 0x26	0x0000	Binary	R/W

**Table 38. ALM\_SMPL2 Bit Designations**

Bit	Description
15:8	Not used
7:0	Data bits

**Table 39. ALM\_CTRL Register Definition**

Address	Default	Format	Access
0x29, 0x28	0x0000	N/A	R/W

**Table 40. ALM\_CTRL Bit Designations**

Bit	Value	Description
15		Rate of change (ROC) enable for alarm 2 1 = rate of change, 0 = static level
14:12		Alarm 2 source selection
	000	Disable
	001	Power supply output
	010	Gyroscope output
	011	Inactive
	100	Inactive
	101	Auxiliary ADC output
	110	Temperature sensor output
	111	Inactive
11		Rate of change (ROC) enable for alarm 1 1 = rate of change, 0 = static level
10:8		Alarm 1 source selection
	000	Disable
	001	Power supply output
	010	Gyroscope output
	011	Inactive
	100	Inactive
	101	Auxiliary ADC output
	110	Temperature sensor output
	111	Inactive
7:5		Not used
4		Filtered data comparison 1 = filtered data, 0 = unfiltered data
3		Not used
2		Alarm output enable 1 = enabled, 0 = disabled
1		Alarm output polarity 1 = active high, 0 = active low
0		Alarm output line select 1 = DIO1, 0 = DIO0

### OUTLINE DIMENSIONS

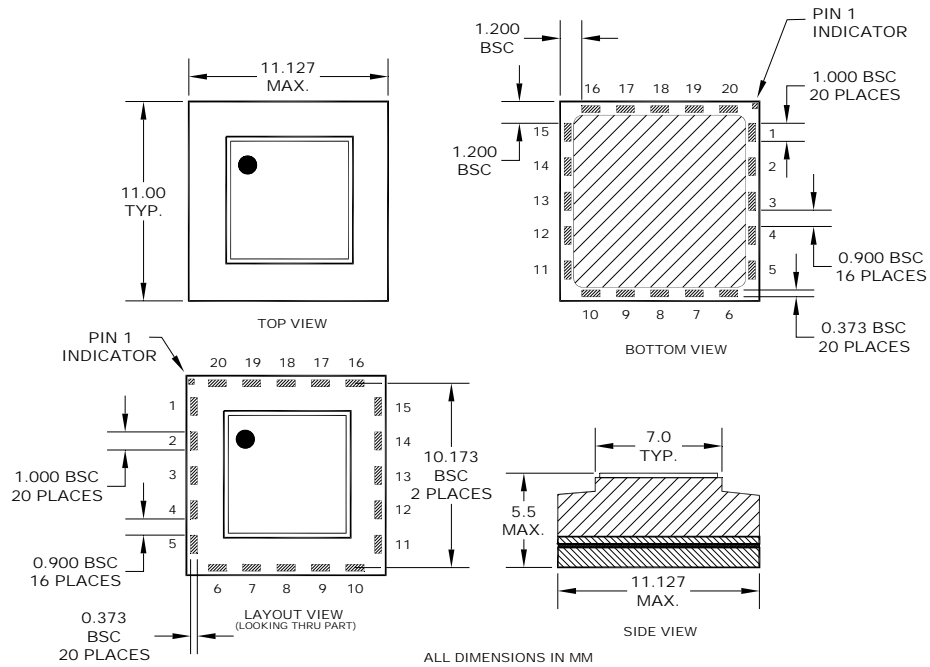


Figure 18. 20-Terminal Land Grid Array [LGA]  
(CC-20-5)  
Dimensions shown in millimeters

### ORDERING GUIDE

Model	Temperature Range	Package Description	Package Option
ADIS16255ACCZ	-40°C to +85°C	20-Terminal Land Grid Array [LGA]	CC-20-5
ADIS16255/PCBZ		Evaluation Board	

**NOTES**