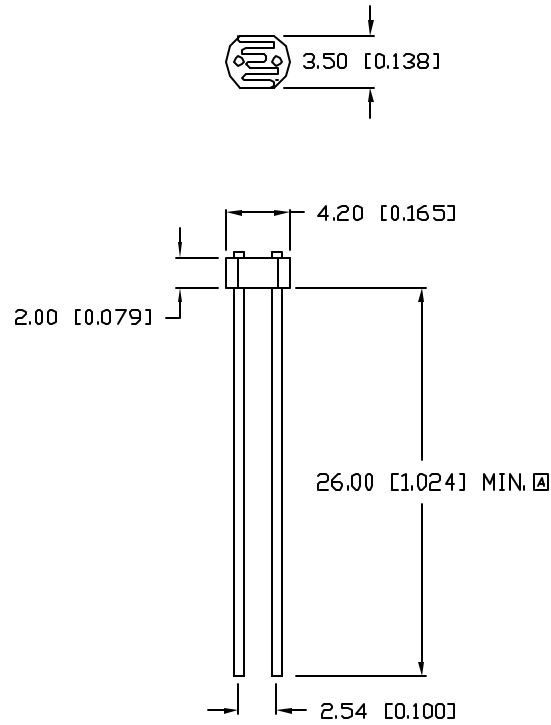


UNCONTROLLED DOCUMENT

PART NUMBER		www.DataSheet4U.com	REV.
OED-PCC-9P5-1L			A
REV.	E.C.N. NUMBER AND REVISION COMMENTS	DATE	
A	E.C.N. #10902.	08.26.02	



VARIATION OF CONDUCTANCE WITH TEMPERATURE AND LIGHT

LUX	0.1	1.0	10	100	1000
TEMPERATURE	% CONDUCTANCE				
-25 °C	117	108	98	95	96
0 °C	105	102	96	95	97
25 °C	100	100	100	100	100
50 °C	96	95	101	106	104
75 °C	82	81	98	111	110

RESPONSE TIME VERSUS LIGHT

LUX	0.1	1.0	10	100	1000
RISE (SECONDS)	5.80	0.82	0.140	0.035	0.010
DECAY (SECONDS)	2.96	0.56	0.110	0.043	0.014

PEAK RESPONSE WAVELENGTH (nm)	RESISTANCE (K ohm) 10 LUX		MIN DARK RESISTANCE AFTER 2 SECS.	MAX VOLTAGE RATING (PEAK AC) (volts)	MEASUREMENT VOLTAGE (volts)
	MIN	MAX	MIN (Mega ohm)		
550	25	60	2.0	100	10

www.DataSheet4U.com

NOTES:

1. TEMPERATURE RANGE: -25°C TO +75°C
2. MAXIMUM POWER: 125mW

UNCONTROLLED DOCUMENT

*UNLESS OTHERWISE SPECIFIED TOLERANCES PER DECIMAL PRECISION ARE: X=±1 (±0.039), X.X=±0.5 (±0.020), X.XX=±0.25 (±0.010), X.XXX=±0.127 (±0.005). LEAD SIZE=±0.05 (±0.002), LEAD LENGTH=±0.75 (±0.030). MIN= ^{+0.00}/_{-0.00} MAX= ^{+0.00}/_{-0.00}

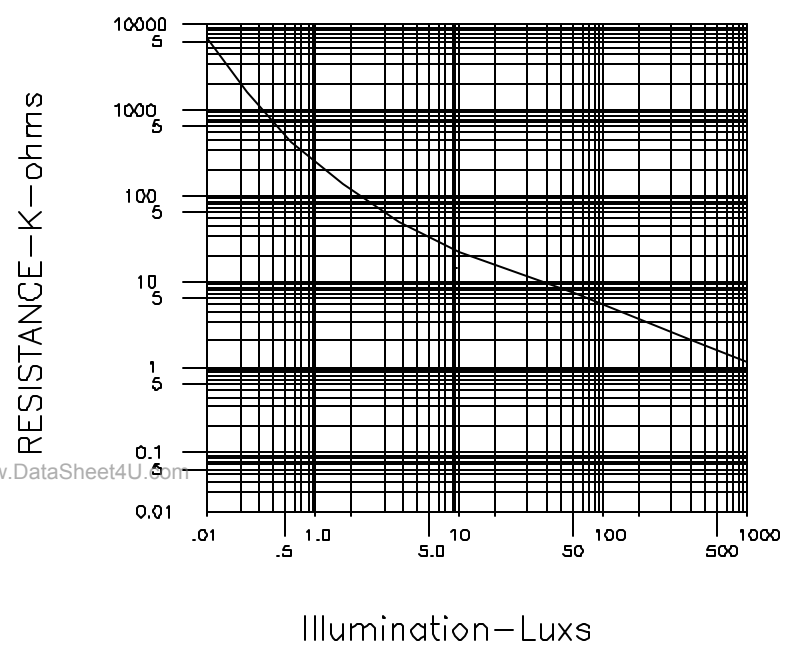
REV.	PART NUMBER	CONFIDENTIAL INFORMATION		290 E. HELEN ROAD	
A	OED-PCC-9P5-1L	THE INFORMATION CONTAINED IN THIS DOCUMENT IS THE PROPERTY OF LUMEX INC. EXCEPT AS SPECIFICALLY AUTHORIZED IN WRITING BY LUMEX INC, THE HOLDER OF THIS DOCUMENT SHALL KEEP ALL INFORMATION CONTAINED HEREIN CONFIDENTIAL AND SHALL PROTECT SAME IN WHOLE OR IN PART FROM DISCLOSURE AND DISSEMINATION TO ALL THIRD PARTIES.		PALATINE, IL 60067-6976	
PHOTOCONDUCTIVE CELL.		RELIABILITY NOTE		PHONE: +1.847.359.2790	
		OUR MANY YEARS OF EXPERIENCE DATA ACCUMULATION INDICATE THAT SOLDER HEAT IS A MAJOR CAUSE OF EARLY AND FUTURE FAILURE. PLEASE PAY ATTENTION TO YOUR SOLDERING PROCESS.		US WEB: www.lumex.com	
				TW WEB: www.lumex.com.tw	
		DRAWN BY:		DATE: 2.1.96	
		CHECKED BY:		PAGE: 1 OF 2	
		APPROVED BY:		SCALE: N/A	



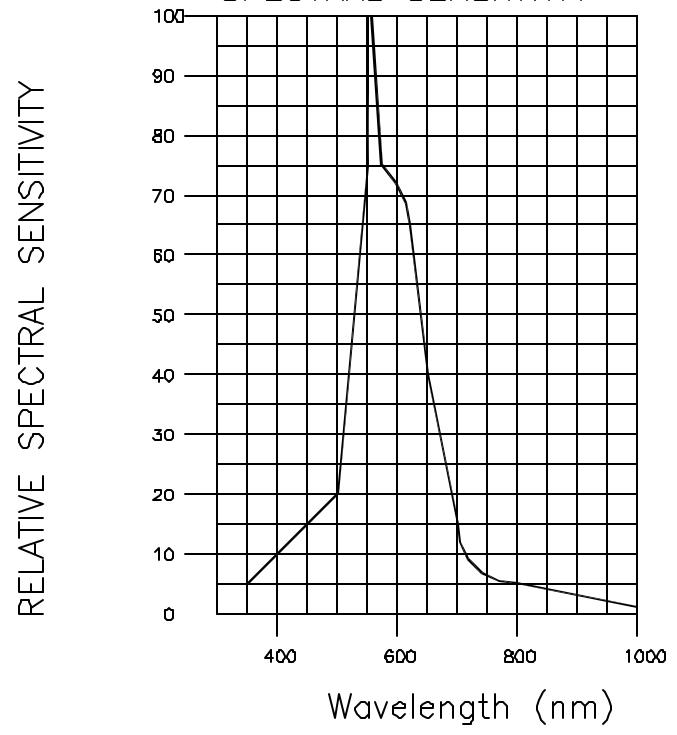
UNCONTROLLED DOCUMENT

PART NUMBER		www.DataSheet4U.com	REV.
OED-PCC-9P5-1L			A
REV.	E.C.N. NUMBER AND REVISION COMMENTS		DATE
A	E.C.N. #10BRDR. & 10902.		8.26.02

CELL RESISTANCE CURVES WITH VARIABLE ILLUMINATION



SPECTRAL SENSITIVITY



*UNLESS OTHERWISE SPECIFIED TOLERANCES PER DECIMAL PRECISION ARE: X=±1 (±0.039), XX=±0.5 (±0.020), XXX=±0.25 (±0.010), XXXX=±0.127 (±0.005). LEAD SIZE=±0.05 (±0.002), LEAD LENGTH=±0.75 (±0.030). MIN.= +DECIMAL PRECISION -0.00 MAX.= +0.00 -DECIMAL PRECISION

UNCONTROLLED DOCUMENT

REV.	PART NUMBER
A	OED-PCC-9P5-1L

CONFIDENTIAL INFORMATION
 THE INFORMATION CONTAINED IN THIS DOCUMENT IS THE PROPERTY OF LUMEX INC. EXCEPT AS SPECIFICALLY AUTHORIZED IN WRITING BY LUMEX INC., THE HOLDER OF THIS DOCUMENT SHALL KEEP ALL INFORMATION CONTAINED HEREIN CONFIDENTIAL AND SHALL PROTECT SAME IN WHOLE OR IN PART FROM DISCLOSURE AND DISSEMINATION TO ALL THIRD PARTIES.



290 E. HELEN ROAD
 PALATINE, IL 60067-6976
 PHONE: +1.847.359.2790
 US WEB: www.lumex.com
 TW WEB: www.lumex.com.tw

PHOTOCONDUCTIVE CELL.

RELIABILITY NOTE
 OUR MANY YEARS OF EXPERIENCE DATA ACCUMULATION INDICATE THAT SOLDER HEAT IS A MAJOR CAUSE OF EARLY AND FUTURE FAILURE. PLEASE PAY ATTENTION TO YOUR SOLDERING PROCESS.

DRAWN BY:	CHECKED BY:	APPROVED BY:	DATE: 2.1.96
			PAGE: 2 OF 2
			SCALE: N/A