

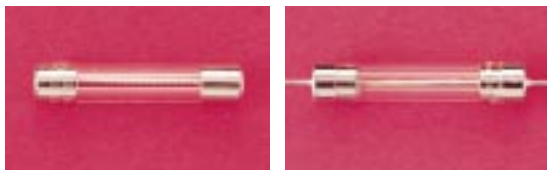


defining a degree of excellence

Type 3SB / 3SBP Slow Blow Fuse Series

1/4 x 1 1/4 inch Glass Tube

3SBD0199



Electrical Characteristics (UL/CSA STD. 248-14)

Testing current	Blow Time	
	Minimum	Maximum
100%	4 Hrs.	N/A
135%	N/A	1 Hr
200%	5 sec	30 sec

Catalog Number	Ampere Rating	Typical Cold Resistance (ohm)	Volt-drop @100% I_n (Volt) max.	Melting I^2T < 10 mSec (A ² Sec)	Melting I^2T @10 I_n (A ² Sec)	Maximum Power Dissipation (W)
3SB (P) 63	63mA	77.3	6.9	0.09	0.10	0.71
3SB (P) 80	80mA	52.0	5.7	0.13	0.15	0.74
3SB (P) 100	100mA	22.0	3.3	0.21	0.24	0.54
3SB (P) 125	125mA	15.9	2.7	0.32	0.37	0.56
3SB (P) 160	160mA	11.5	2.3	0.50	0.58	0.59
3SB (P) 200	200mA	8.3	1.9	0.77	0.91	0.61
3SB (P) 250	250mA	5.6	1.6	1.20	1.42	0.64
3SB (P) 300	300mA	3.8	1.3	1.85	2.22	0.68
3SB (P) 375	375mA	2.8	1.1	2.6	3.2	0.71
3SB (P) 500	500mA	1.7	0.9	4.4	5.4	0.75
3SB (P) 750	750mA	0.84	0.7	9.7	12.1	0.83
3SB (P) 1	1A	0.52	0.5	16.4	20.6	0.88
3SB (P) 1.25	1.25A	0.35	0.5	25.4	32.3	0.9
3SB (P) 1.6	1.6A	0.23	0.38	39.3	50.4	1.0
3SB (P) 2	2A	0.16	0.32	61	79	1.0
3SB (P) 2.5	2.5A	0.11	0.27	94	123	1.1
3SB (P) 3	3A	0.07	0.22	146	192	1.1
3SB (P) 4	4A	0.05	0.19	226	300	1.2
3SB (P) 5	5A	0.03	0.16	349	469	1.3
3SB (P) 6	6A	0.019	0.16	286	455	1.6
3SB (P) 7	7A	0.016	0.16	372	592	1.8
3SB (P) 8	8A	0.014	0.15	483	769	1.9
3SB (P) 10	10A	0.010	0.14	817	1300	2.3
3SB (P) 12	12A	0.008	0.13	1277	2031	2.6
3SB (P) 15	15A	0.006	0.12	2123	3377	3.0

Consult manufacturer for other ratings

Approvals



Safety Agency Approvals	Type	Amp range / Volt @ I.R. ability
Listed File no. E20624 Certified File no. LR39772	3SB / 3SBP	63mA - 1A / 250V AC@ 35A >1A - 3.5A / 250V AC@ 100A >3.5A - 8A / 250V AC@ 200A 63mA - 15A / 125V AC@ 10,000A
Approval File no. 32-1764 / no. 32-1766 File no. 32-1765	3SB / 3SBP 3SB	1A -5A / 125V AC@ 500A >5A - 15A /125V AC@ 300A

Operating Temperature

-55°C to +125°C

Physical Specification

Materials

Glass body / Nickel Plated Brass Caps

Lead wire:

Tin-lead plated Copper,

Diameter 0.032", 5A and less

Diameter 0.040", 6A and above

Marking

On fuse:

"bel", "3SB", "Current Rating", "Voltage Rating", and "Appropriate Safety Logos"

On label:

Above info plus "CE" and interrupting rating

Voltage on fuse:

250V for 63mA to 8A; 125V for 10A and above

Packaging

1. In bulk:

3SB - 1,000 pcs per box; 3SBP - 500 pcs per box

2. On Axial Tape & Reel:

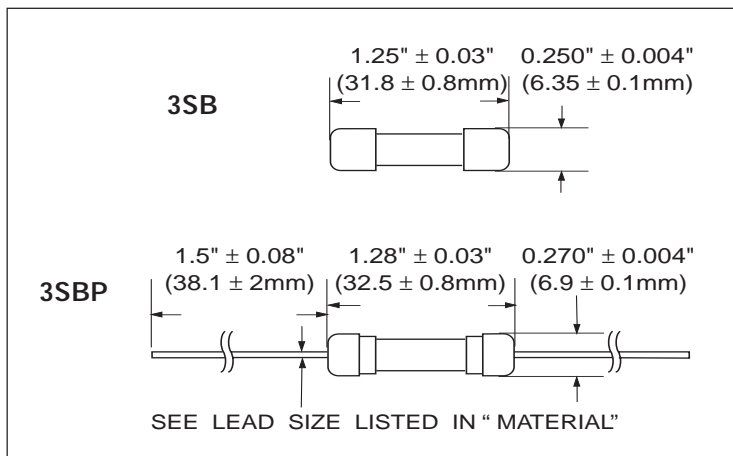
1,000 pcs per reel

3. Tape & Reel specification:

per EIA-296-E & IEC 286-1

@ 10mm Pitch and 73mm inside Tape Spacing

Mechanical Dimensions



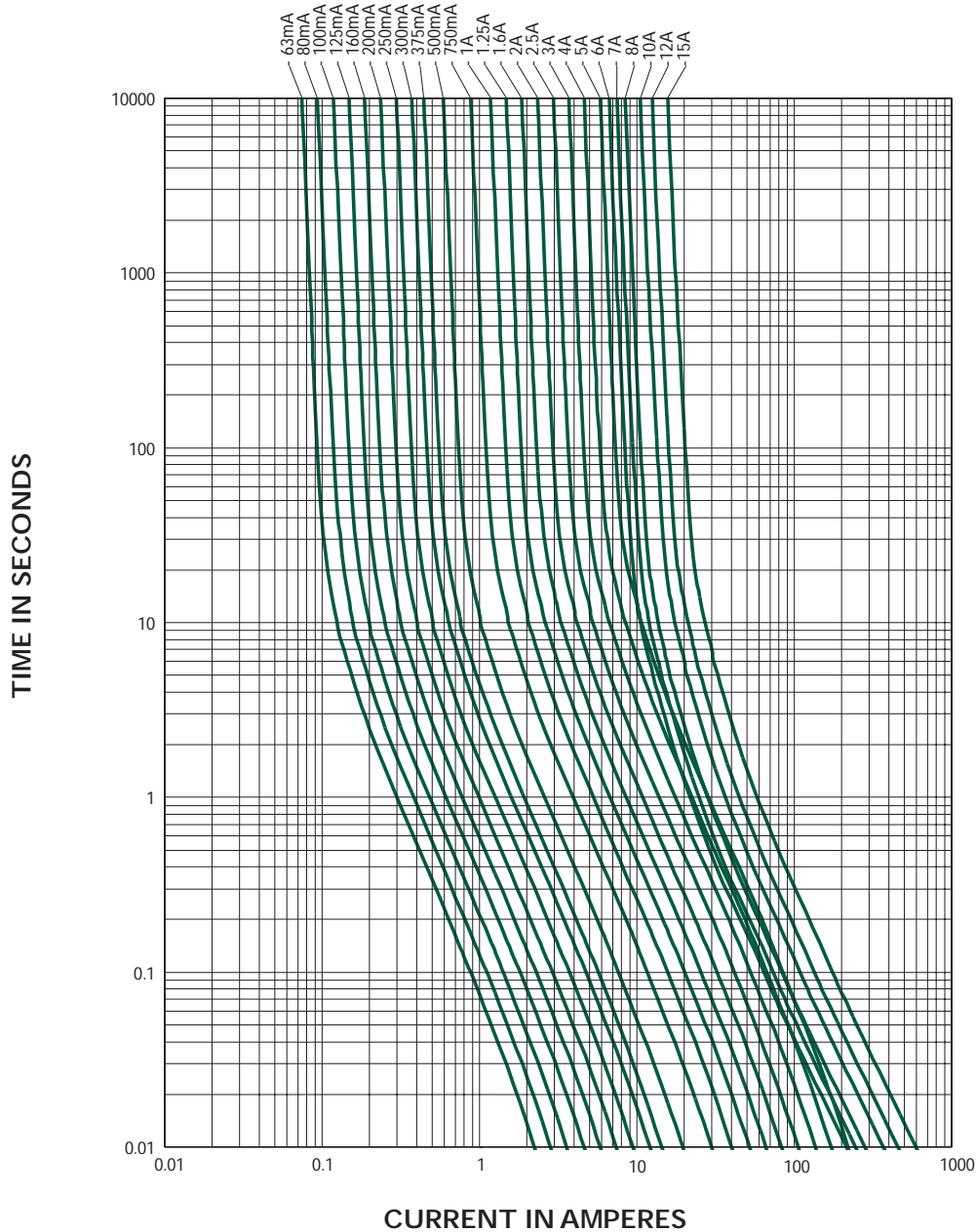
Specifications subject to change without notice

Type 3SB / 3SBP
 Slow Blow Fuse Series

1/4 x 1 1/4 inch Glass Tube

3SBC0600

3SB / 3SBP - TIME CURRENT CHARACTERISTIC CURVE



Specifications subject to change without notice

NOTE - see important information under "User Guide" on P.08

Corporate Office

Bel Fuse Inc.
 198 Van Vorst Street, Jersey City, NJ 07302
 Tel: 201-432-0463
 Fax/Fax: 201-432-9542
 E-Mail: belfuse@belfuse.com
 Internet: <http://www.belfuse.com>

Far East Office

Bel Fuse Ltd.
 8F/8 Luk Hop Street
 San Po Kong
 Kowloon, Hong Kong
 Tel: 852-2328-5515
 Fax: 852-2352-3706

European Office

Bel Fuse Europe Ltd.
 Preston Technology Management Centre
 Marsh Lane, Preston PR1 8U
 Lancashire, U.K
 Tel: 44-1772-556601
 Fax: 44-1772-888366