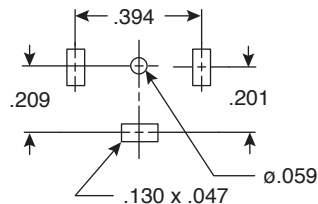
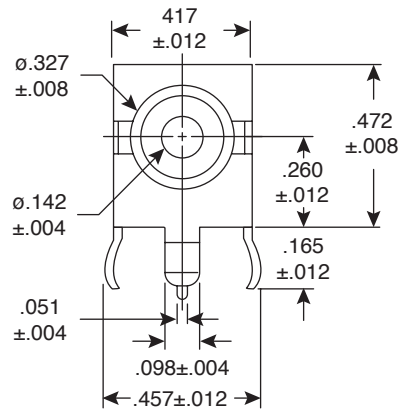
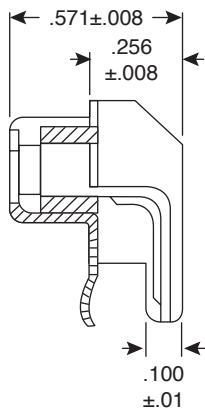
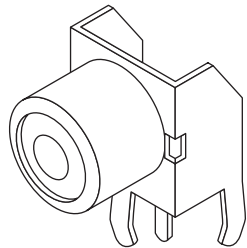


Right Angle RCA PCB Mount Phono Jacks

161-0360, 161-0370, 161-0380, 161-0390



Right Angle RCA PCB Mount Phono Jacks



PCB Hole Layout

Dimensions: In.

SPECIFICATIONS

Type:	Right Angle, PCB Mount, Phono
Insulation Resistance:	10MΩ min. @ 500V RMS
Withstand Voltage:	1080VAC for 1 Minute
Humidity Test:	90% RH @ 40°C for 48 Hours
Temperature Rating:	70°C
Body:	Tin Plated Steel
Contact:	Tin Plated Brass
Insulator:	PBT
Withstand Heat:	250°C, 3 sec.

MOUSER STOCK NO.	Color
161-0360	White
161-0370	Red
161-0380	Yellow
161-0390	Black

Date Last Revised: 4-19-05

Available from Mouser Electronics
1-800-346-6873
www.mouser.com

KC-300561

161-0360, 161-0370, 161-0380, 161-0390