

PLEASE CHECK WWW.MOLEX.COM FOR LATEST PART INFORMATION

Part Number: [0192210226](#)
Status: **Active**
Description: Compression Style Ring Tongue Terminal for 8 AWG Wire, Stud Size 3/8", Plated, Wide Pad

Documents:

[Drawing \(PDF\)](#) [RoHS Certificate of Compliance \(PDF\)](#)

Agency Certification

CSA LR18689
 UL E32244

General

Product Family Ring and Spade Terminals
 Series [19221](#)
 Comments Heavy Duty
 Crimp Quality Equipment Yes
 Mil-Spec N/A
 Product Name Battery Cable Lug
 Type Ring

Physical

Barrel Type Closed
 Insulation None
 Material - Plating Mating Tin
 Packaging Type Bag
 Plating min: Mating (µin) 160
 Plating min: Mating (µm) 4
 Plating min: Termination (µin) 160
 Plating min: Termination (µm) 4
 Stud Size 3/8" (M9)
 Termination Interface: Style Crimp or Compression
 Wire Insulation Diameter N/A
 Wire Size AWG 8
 Wire Size mm² 6.60 - 10.5

Material Info

Old Part Number BCL-838-WP-PL

Reference - Drawing Numbers

Sales Drawing SD-19221-001

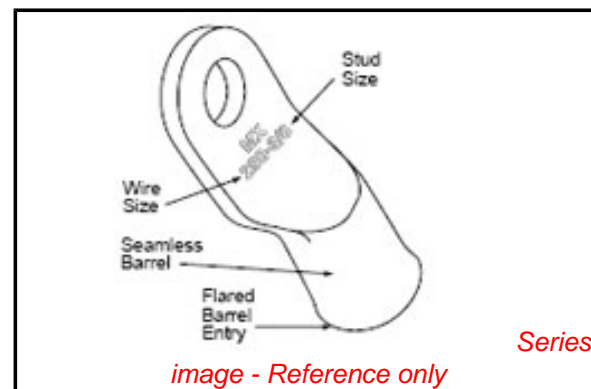


image - Reference only

EU RoHS

ELV and RoHS Compliant
REACH SVHC Contains SVHC: No
Halogen-Free Status

China RoHS



Need more information on product environmental compliance?

Email productcompliance@molex.com
 For a multiple part number RoHS Certificate of Compliance, [click here](#)

Please visit the [Contact Us](#) section for any non-product compliance questions.

Search Parts in this Series

[19221Series](#)

Application Tooling | [FAQ](#)

Tooling specifications and manuals are found by selecting the products below. Crimp Height Specifications are then contained in the Application Tooling Specification document.

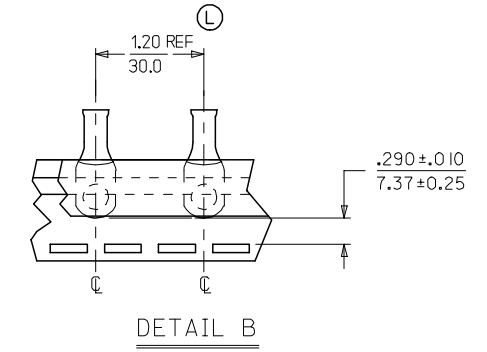
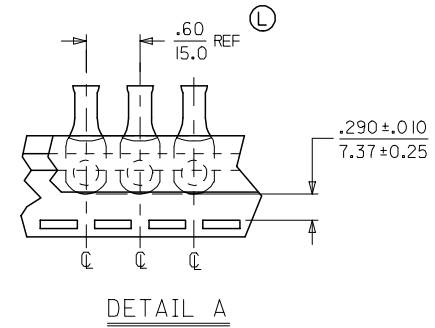
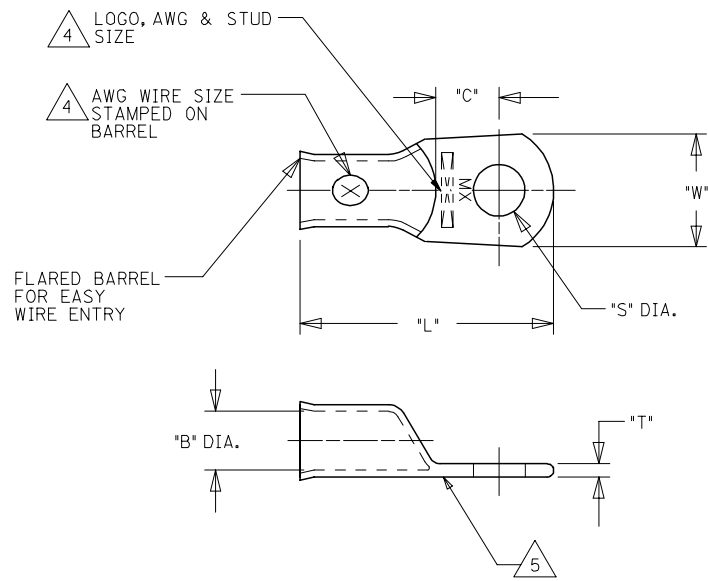
Global

Description	Product #
Putt Pump Dieless Head System	0192860065
Manual tool for Crimping non-insulated 8AWG thru 4/0 Terminals	0192940008
Manual Putt Pump Hydraulic System, Die set required	0192860117
Hand Crimp Tool	0192840034
Die Set (large) for the HHLS Hydraulic Crimper	0192900001

This document was generated on 04/14/2010

PLEASE CHECK WWW.MOLEX.COM FOR LATEST PART INFORMATION

	13	12	11	10	9	8	7	6	5	4	3	2	1				
	UNPLATED MATERIAL NUMBER	UNPLATED ENG. NUMBER	UNPLATED MAT. NO. ON TAPE	UNPLATED ENG. NO. ON TAPE	PLATED MATERIAL NUMBER	PLATED ENGINEERING NUMBER	PLATED MAT. NO. ON TAPE	PLATED ENG. NO. ON TAPE	SEE DETAIL	STUD SIZE	AWG WIRE RANGE	"S"	"L"	"W"	"C"	"B"	"T"
J	192210408	BCL-810	190820012	BCL-810T	192210223	BCL-810-PL	190820011	BCL-810-PLT	A	10/(4.8)	8	.214/(5.45)	1.187/(30.15)	.438/(11.13)	.376/(9.55)	.185/(4.70)	.070/(1.78)
	192210409	BCL-814	190820014	BCL-814T	192210224	BCL-814-PL	190820013	BCL-814-PLT	A	1/4/(6.4)	8	.278/(7.06)	1.187/(30.15)	.438/(11.13)	.376/(9.55)	.185/(4.70)	.070/(1.78)
	192210562	BCL-814-WP	---	---	192210563	BCL-814-WP-PL	---	---	---	1/4/(6.4)	8	.278/(7.06)	1.313/(33.35)	.594/(15.09)	.376/(9.55)	.185/(4.70)	.070/(1.78)
	192210411	BCL-8516	190820017	BCL-8516T	192210225	BCL-8516-PL	---	---	A	5/16/(7.9)	8	.340/(8.63)	1.187/(30.15)	.438/(11.13)	.376/(9.55)	.185/(4.70)	.070/(1.78)
	192210482	BCL-8516-WP	---	---	192210483	BCL-8516-WP-PL	190820016	BCL-8516-PLT	A	5/16/(7.9)	8	.340/(8.63)	1.313/(33.35)	.594/(15.09)	.422/(10.72)	.185/(4.70)	.070/(1.78)
	192210410	BCL-838-WP	190820015	BCL-838-WPT	192210226	BCL-838-WP-PL	192210566	BCL-838-WP-PLT	A	3/8/(9.5)	8	.400/(10.16)	1.313/(33.35)	.594/(15.09)	.422/(10.72)	.185/(4.70)	.070/(1.78)
I	192210481	BCL-838-XWP	---	---	192210484	BCL-838-XWP-PL	---	---	---	3/8/(9.5)	8	.400/(10.16)	1.469/(37.31)	.766/(19.46)	.394/(10.01)	.185/(4.70)	.070/(1.78)
	192210415	BCL-812-XWP	---	---	192210414	BCL-812-XWP-PL	---	---	---	1/2/(14.7)	8	.520/(13.21)	1.469/(37.31)	.766/(19.46)	.394/(10.01)	.185/(4.70)	.070/(1.78)
	192210425	BCL-610	---	---	192210424	BCL-610-PL	190820003	BCL-610-PLT	B	10/(4.8)	6	.214/(5.45)	1.281/(32.54)	.438/(11.13)	.345/(8.75)	.232/(5.89)	.075/(1.90)
	192210406	BCL-614-WP	190820006	BCL-614T	192210227	BCL-614-WP-PL	190820005	BCL-614-PLT	B	1/4/(6.4)	6	.278/(7.06)	1.406/(35.72)	.594/(15.09)	.430/(10.9)	.232/(5.89)	.080/(2.03)
	192210494	BCL-6141	---	---	192210495	BCL-6141-PL	192210498	BCL-6141-PLT	B	1/4/(6.4)	6	.278/(7.06)	1.281/(32.54)	.438/(11.13)	.345/(8.75)	.232/(5.89)	.075/(1.90)
	192210407	BCL-6516-WP	---	---	192210228	BCL-6516-WP-PL	190820009	BCL-6516-PLT	B	5/16/(7.9)	6	.340/(8.63)	1.406/(35.72)	.594/(15.09)	.352/(8.94)	.232/(5.89)	.080/(2.03)
L	192210493	BCL-6516	190820010	BCL-6516T	192210492	BCL-6516-PL	192210499	BCL-6516-PLT	B	5/16/(7.9)	6	.340/(8.63)	1.281/(32.54)	.438/(11.13)	.345/(8.75)	.232/(5.89)	.075/(1.90)
H	192210384	BCL-638-WP	190820008	BCL-638T	192210229	BCL-638-WP-PL	190820007	BCL-638-PLT	B	3/8/(9.5)	6	.400/(10.16)	1.406/(35.72)	.594/(15.09)	.352/(8.94)	.232/(5.89)	.080/(2.03)
	192210569	BCL-638-XWP	---	---	192210568	BCL-638-XWP-PL	---	---	---	3/8/(9.5)	6	.400/(10.16)	1.563/(39.70)	.766/(19.46)	.422/(10.72)	.232/(5.89)	.080/(2.03)
	192210417	BCL-612-XWP	---	---	192210416	BCL-612-XWP-PL	190820004	BCL-612-PLT	B	1/2/(14.7)	6	.520/(13.21)	1.563/(39.70)	.766/(19.46)	.352/(8.94)	.232/(5.89)	.080/(2.03)



SALES DRAWING

- NOTES:
- FOR INSPECTION SIGHT HOLE, PLEASE CONSULT FACTORY.
 - OTHER STUD SIZES MAY BE AVAILABLE, PLEASE CONSULT FACTORY.
 - MATERIAL: COPPER
PLATING: TIN
 - MARKINGS CAN BE AT EITHER LOCATION SHOWN.
 - IF TONGUE IS TO BE BENT AT ANY ANGLE, IT MUST BE BENT AROUND A RADIUS ONE HALF THE TONGUE THICKNESS.
 - ALL COMPONENTS ARE ROHS COMPLIANT.

REVISED W/ TYPO CORRECTED FC NO: ETC2007-0397 DRAWN BY: DRWANEHLE CHKD: JMAGNELL APPR: JMAGNELL 2007/04/27 2007/05/09 2007/05/10	QUALITY SYMBOLS =0 =0	GENERAL TOLERANCES (UNLESS SPECIFIED)		DIMENSION STYLE		SCALE	DESIGN UNITS	THIRD ANGLE PROJECTION
		mm	INCH	IN/MM		---	INCH	
		4 PLACES ± ---	± ---	DRAWN BY: DMYRICK	DATE: 2005/5/3	TITLE: EYELET STYLE COPPER TERMINALS 8 AND 6 AWG LUGS		
		3 PLACES ± ---	± ---	CHECKED BY: RDEROSS	DATE: 2005/5/3	MOLEX INCORPORATED		
		2 PLACES ± ---	± ---	APPROVED BY: RDEROSS	DATE: 2005/5/3	DOCUMENT NO. SD-19221-001		
		1 PLACE ± ---	± ---	MATERIAL NO. SEE CHART		SHEET NO. 1 OF 1		
		ANGULAR ± --- °		DRAFT WHERE APPLICABLE MUST REMAIN WITHIN DIMENSIONS		THIS DRAWING CONTAINS INFORMATION THAT IS PROPRIETARY TO MOLEX INCORPORATED AND SHOULD NOT BE USED WITHOUT WRITTEN PERMISSION		