

## IEC Connector C13, Rewireable, Angled



C13



70 °C

**Description**

- Connector:  
Screwing cable terminal, Pin temperature 70 °C, Protection class I, Cable
- Note: Please order pvc strain relief separately, mating strain reliefs please find under accessories.

**Approvals**

- VDE License Number: 40008187
- CSA License Number: 1612079

**References**

[General Product Information](#)

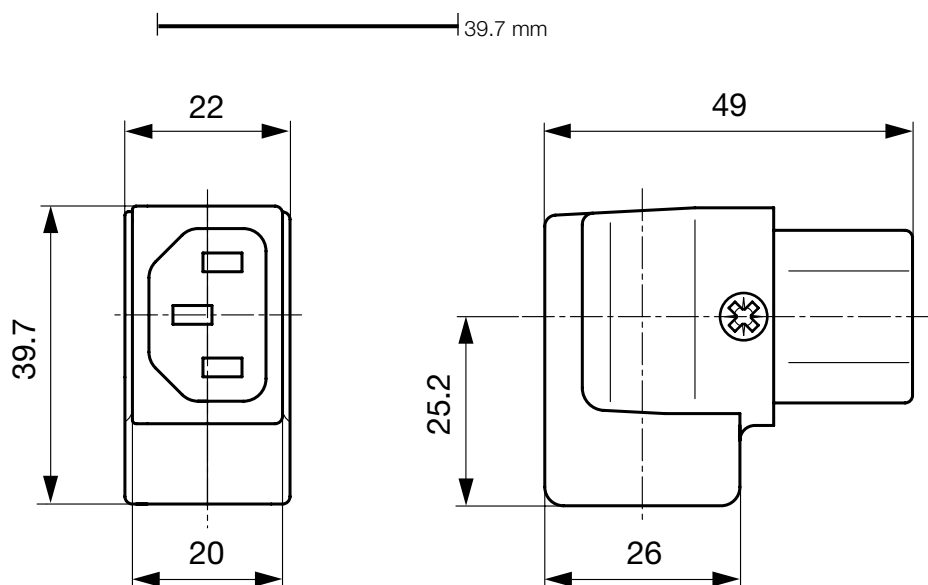
**Weblinks**

[Approvals](#), [RoHS](#), [CHINA-RoHS](#), [Mating Connectors](#), [e-Store](#), [Distributor-Stock-Check](#), [Accessories](#)

**Technical Data**

Ratings IEC	10A / 250VAC; 50Hz
Ratings UL/CSA	15A / 250VAC; 60Hz
Dielectric Strength	> 3kVAC between L-N
	> 1.5kVAC between L/N-PE (1 min/50Hz)
Allowable Operation Temp.	-25 °C to 70 °C
Degree of Protection	from front side IP 20 acc. to IEC 60529
Protection Class	Suitable for appliances with protection class 1 acc. to IEC 61140
Terminal	Screw Clamp
Material: Housing	UL 94V-0

Connector	C13 acc. to IEC/EN 60320-2-2 UL 498, CSA C22.2 no. 42 (for cold conditions) pin-temperature 70 °C, 10A, Protection Class 1
-----------	---

**Dimensions**

## Config. Code

Product Configurator

4013 - H - A B C 0 - D - E J

The characters are placeholders for the correspondingly keys of selections from the key tables.

## 4013 - H - A B C 0 - D - E J = Type

Type	Configuration key
protection class 1	X

## 4013 - H - A B C 0 - D - E J = Terminals

Terminal L	Configuration key
screw terminal	A

## 4013 - H - A B C 0 - D - E J = Terminals

Terminal N	Configuration key
screw terminal	A

Symbols similar as in table A

## 4013 - H - A B C 0 - D - E J = Terminals

Terminal Ground	Configuration key
screw terminal	A

Symbols similar as in table A

## 4013 - H - A B C 0 - D - E J = Color

Color	Configuration key
jet black; RAL9005	A
silver grey; RAL7001	B
pure white; RAL9010	D
standard color: black	

## 4013 - H - A B C 0 - D - E J = Style

Style	Configuration key
for cord assembly	8

## 4013 - H - A B C 0 - D - E J = Condition

Condition	Configuration key
assembled	1
disassembled	2

## Variants

Config. Code	Description	Order Number
4013-X-AAA0-A-81	4013, IEC Connector, C13, 70°C, version: 1, L: screw terminal, N: screw terminal, ground: screw terminal, color: jet black; RAL9005, design: for cord assembly, condition:assembled	4310.0021
4013-X-AAA0-B-81	4013, IEC Connector, C13, 70°C, version: 1, L: screw terminal, N: screw terminal, ground: screw terminal, color: silver grey; RAL7001, design: for cord assembly, condition:assembled	4310.0022

The listed variants should be available from stock Other versions on request [www.schurter.com/contact](http://www.schurter.com/contact)

Packaging unit 50 Pcs

## Accessories

## Description

HN 14.110  
PVC Strain ReliefHN 14.45  
PVC Strain Relief



HN 14.46  
PVC Strain Relief

## Mating Inlets/Plugs

### Category / Description

#### Appliance Inlet Overview complete



IEC Appliance Inlet C14, Snap-in Mounting, Front Side, Solder or Quick-connect Terminal	0711
IEC Appliance Inlet C14, Screw-on Mounting, Rear Side, PCB Terminal	1001
IEC Appliance Inlet C18, Screw-on Mounting, Rear Side, PCB Terminal	1005
IEC Appliance Inlet C14, Snap-in Mounting, Front Side, Solder or Quick-connect or Screw-on Terminal	6010
IEC Appliance Inlet C18, Snap-in Mounting, Front Side, Solder or Quick-connect or Screw-on Terminal	6015

[Appliance Inlet further types to 4013](#)

...



#### Distribution Unit Overview complete

Distribution Unit for Snap-in Mounting with 1 IEC Appliance Inlet C14 and 1 Appliance Outlet F	0712
Distribution Unit with 1 IEC Appliance Inlet C14 or Power Cord, 4 IEC Appliance Outlets F and Extra Components	4740
Distribution Unit with 1 IEC Appliance Inlet C14 and 2 Appliance Outlets F, Shuttered	4741
Distribution Unit with 1 IEC Appliance Inlet C14 and 4 Appliance Outlets F	4747

[Distribution Unit further types to 4013](#)



#### Interconnection Cord Overview complete

Interconnection Cord with IEC Plug E, Angled	0607
Interconnection Cord with IEC Plug E, Angled	0608
Interconnection Cord with IEC Plug E, Straight	0609
Interconnection Cord with IEC Plug G, Angled	607B
Interconnection Cord with IEC Plug G, Angled	608B

[Interconnection Cord further types to 4013](#)

...



#### Plug Overview complete

IEC Plug E, Cord Connector (Rewireable), Straight, max. cable Diameter 8.5 mm	4732
IEC Plug E, Cord Connector (Rewireable), Angled, max. Cable Diameter 10 mm	4733
IEC Plug E, Cord Connector (Rewireable), Straight, max. Cable Diameter 10 mm	4735
IEC Plug E, Cord Connector (Rewireable), Angled, max. Cable Diameter 10 mm	4736
IEC Plug E, Cord Connector (Rewireable), Straight	9009

[Plug further types to 4013](#)

...



#### Power Entry Module Overview complete

IEC Appliance Inlet C14 or C18 with Fuseholder 1-pole	1062
IEC Appliance Inlet C14 or C18 with Fuseholder 1- or 2-pole	1064
IEC Appliance Inlet C18 with Fuseholder 1-pole	1065
IEC Appliance Inlet C18 with Fuseholder 1- or 2-pole	1066
IEC Appliance Inlet C14 with Fuseholder 1- or 2-pole	1092

[Power Entry Module further types to 4013](#)

...

#### Power Entry Module with line filter Overview complete



IEC Appliance Inlet C14 with Filter	5110
IEC Appliance Inlet C14 with Filter, Circuit Breaker TA45	5145
IEC Appliance Inlet C14 with Filter, Fuseholder 1-pole	5200
IEC Appliance Inlet C14 with Filter, Fuseholder 1- or 2-pole	5220
IEC Appliance Inlet C14 with Filter, Fuseholder 2-pole	8843-8

[Power Entry Module with line filter further types to 4013](#)

...