

Description

The PUMA 2E1000 is a 1Mbit EEPROM module user configurable as 32Kx32, 64Kx16 or 128Kx8. Available with access times of 150, 200 & 250ns the device has an industry standard ceramic 66 pin P.G.A footprint.

The device features byte and page write facility, 10,000 Write Erase cycle capability and data retention time of 10 years.

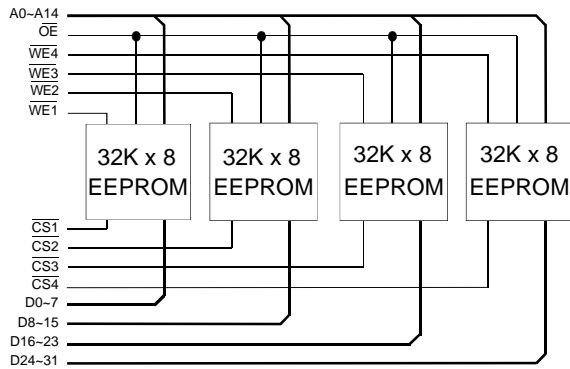
The device may be screened in accordance with MIL-STD-883

1,048,576 bit CMOS High Speed EEPROM

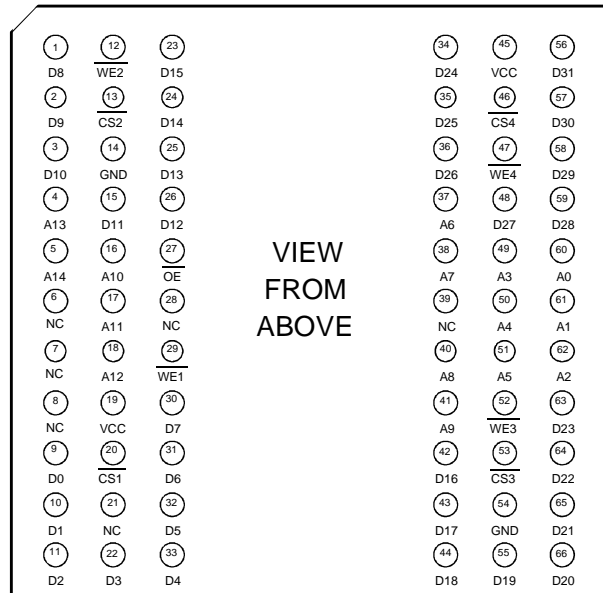
Features

- Access times of 150/200/250 ns.
- User Configurable as 8 / 16 / 32 bit wide.
- Upgradeable footprint.
- Package Suitable for Thermal Ladder Applications.
- Single byte and Page Write operation.
- DATA Polling and Toggle Bit for End of Write Detection.
- Hardware and Software Data Protection.
- May be screened in accordance with MIL-STD-883.

Block Diagram



Pin Definition

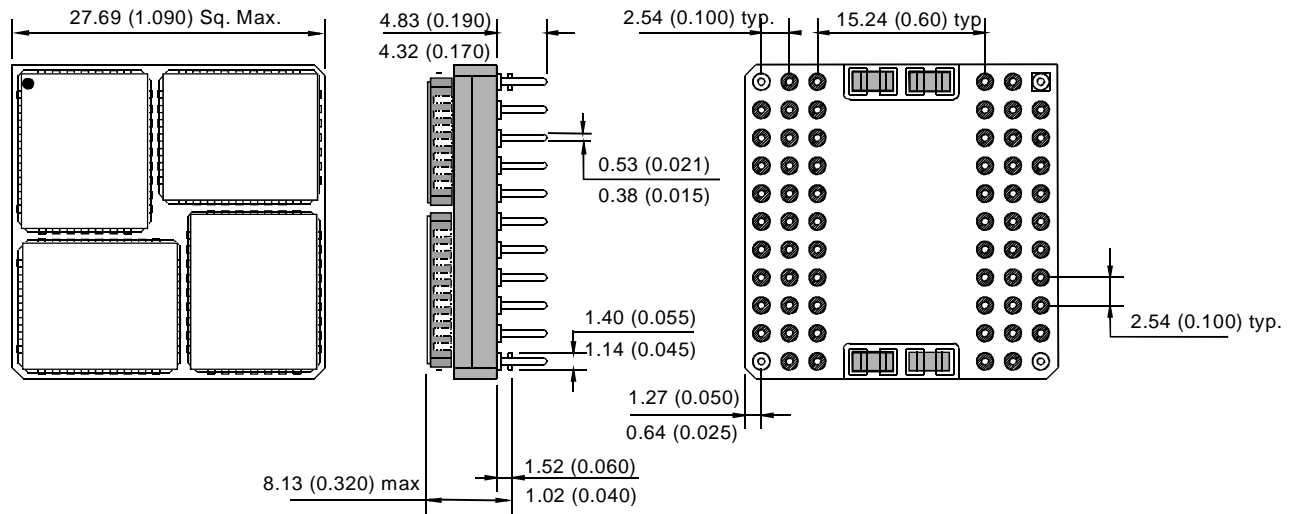


Pin Functions

- A0-14** Address Inputs
- CS1-4** Chip Select
- WE1-4** Write Enable
- V_{cc}** Power (+5V)

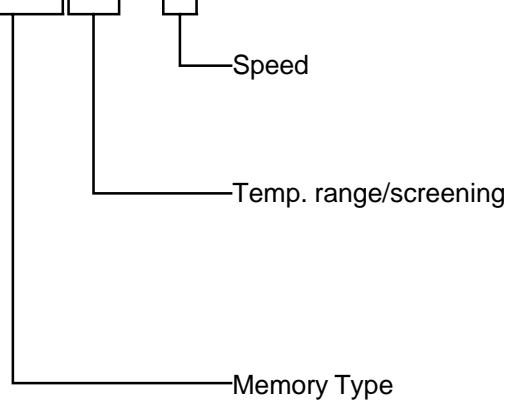
- D0-31** Data Inputs/Outputs
- OE** Output Enable
- NC** No Connect
- GND** Ground

Package Details Dimensions in mm (inches).



Ordering Information

PUMA 2E1000MB - 15



Note :

Although this data is believed to be accurate the information contained herein is not intended to and does not create any warranty of merchantability or fitness for a particular purpose. Our products are subject to a constant process of development. Data may be changed without notice. Products are not authorised for use as critical components in life support devices without the express written approval of a company director.