

This document was generated on 05/18/2010

PLEASE CHECK WWW.MOLEX.COM FOR LATEST PART INFORMATION

Part Number: [0022552082](#)
Status: **Active**
Overview: [cgrid_sl_products](#)
Description: 2.54mm (.100") Pitch SL™ Crimp Housing, Dual Row, Version B, Polarized, 8 Circuits

Documents:

| | |
|---|--|
| 3D Model | Product Specification PS-70058 (PDF) |
| Drawing (PDF) | Product Specification PS-70400 (PDF) |
| Packaging Specification (PDF) | RoHS Certificate of Compliance (PDF) |

Agency Certification

| | |
|-----|---------|
| CSA | LR19980 |
| UL | E29179 |

General

| | |
|----------------|-----------------------------------|
| Product Family | Crimp Housings |
| Series | 70450 |
| Comments | Version B |
| Overview | cgrid_sl_products |
| Product Name | SL™ |

Physical

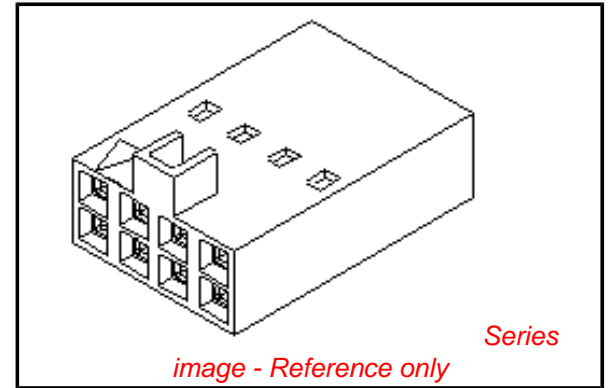
| | |
|-------------------------------|-----------------|
| Breakaway | No |
| Circuits (maximum) | 8 |
| Color - Resin | Black |
| Flammability | 94V-0 |
| Gender | Female |
| Glow-Wire Compliant | No |
| Material - Resin | Polyester |
| Number of Rows | 2 |
| Packaging Type | Bag |
| Panel Mount | No |
| Pitch - Mating Interface (in) | 0.100 In |
| Pitch - Mating Interface (mm) | 2.54 mm |
| Stackable | No |
| Temperature Range - Operating | -40°C to +105°C |

Material Info

| | |
|-----------------|------------|
| Old Part Number | 70450-0052 |
|-----------------|------------|

Reference - Drawing Numbers

| | |
|-------------------------|--------------------|
| Packaging Specification | PK-70450-100 |
| Product Specification | PS-70058, PS-70400 |
| Sales Drawing | SD-70450-0050-0075 |
| Test Summary | TS-70058-001 |



EU RoHS

ELV and RoHS Compliant
REACH SVHC
 Not Reviewed
Halogen-Free Status

China RoHS



Not Halogen-Free

Need more information on product environmental compliance?

Email productcompliance@molex.com
 For a multiple part number RoHS Certificate of Compliance, [click here](#)

Please visit the [Contact Us](#) section for any non-product compliance questions.

Search Parts in this Series

[70450Series](#)

Mates With

[70246](#) Straight Header, [70247](#) Right Angle Header, [87256](#), [87257](#)

Use With

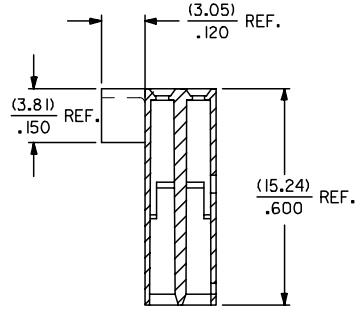
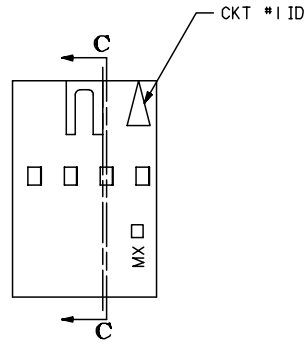
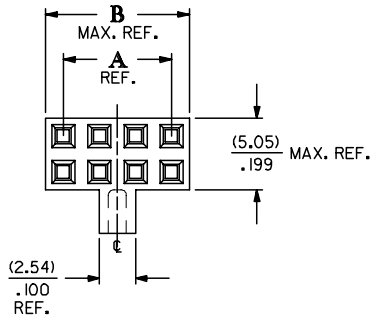
[70058](#) , [71851](#)

This document was generated on 05/18/2010

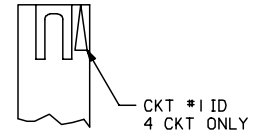
PLEASE CHECK WWW.MOLEX.COM FOR LATEST PART INFORMATION

www.DataSheetU.com

OPTION "B"



SECTION C-C



NOTES:

1. MATERIAL: G.F. POLYESTER
2. HOUSING TO BE USED WITH TERMINAL NOS. 70028, 70058, AND 71851.
3. HOUSING TO BE USED WITH (0.64)/.025 SQUARE OR ROUND PINS.
4. REFER TO MOLEX PRODUCT SPECIFICATION PS-70058.
5. PACKAGE PER PK-70450-100.
6. PARTS CONFORM TO CLASS C OF COSMETIC SPECIFICATION PS-45499-002.

| CKT. SIZE | EDP. NO. | ENG. NO. | DIM "A" REF. | DIM "B" MAX. REF. |
|-----------|-------------|------------|-----------------|-------------------|
| 4 | 022-55-2042 | 70450-0050 | (2.54) / .100 | (5.05) / .199 |
| 6 | 022-55-2062 | 70450-0051 | (5.08) / .200 | (7.59) / .299 |
| 8 | 022-55-2082 | 70450-0052 | (7.62) / .300 | (10.13) / .399 |
| 10 | 022-55-2102 | 70450-0053 | (10.16) / .400 | (12.67) / .499 |
| 12 | 022-55-2122 | 70450-0054 | (12.70) / .500 | (15.21) / .599 |
| 14 | 022-55-2142 | 70450-0055 | (15.24) / .600 | (17.75) / .699 |
| 16 | 022-55-2162 | 70450-0056 | (17.78) / .700 | (20.29) / .799 |
| 18 | 022-55-2182 | 70450-0057 | (20.32) / .800 | (22.83) / .899 |
| 20 | 022-55-2202 | 70450-0058 | (22.86) / .900 | (25.37) / .999 |
| 22 | 022-55-2222 | 70450-0059 | (25.40) / 1.000 | (27.91) / 1.099 |
| 24 | 022-55-2242 | 70450-0060 | (27.94) / 1.100 | (30.45) / 1.199 |
| 26 | 022-55-2262 | 70450-0061 | (30.48) / 1.200 | (32.99) / 1.299 |
| 28 | 022-55-2282 | 70450-0062 | (33.02) / 1.300 | (35.53) / 1.399 |
| 30 | 022-55-2302 | 70450-0063 | (35.56) / 1.400 | (38.07) / 1.499 |
| 32 | 022-55-2322 | 70450-0064 | (38.10) / 1.500 | (40.61) / 1.599 |
| 34 | 022-55-2342 | 70450-0065 | (40.64) / 1.600 | (43.15) / 1.699 |
| 36 | 022-55-2362 | 70450-0066 | (43.18) / 1.700 | (45.69) / 1.799 |
| 38 | 022-55-2382 | 70450-0067 | (45.72) / 1.800 | (48.23) / 1.899 |
| 40 | 022-55-2402 | 70450-0068 | (48.26) / 1.900 | (50.77) / 1.999 |
| 42 | 022-55-2422 | 70450-0069 | (50.80) / 2.000 | (53.31) / 2.099 |
| 44 | 022-55-2442 | 70450-0070 | (53.34) / 2.100 | (55.85) / 2.199 |
| 46 | 022-55-2462 | 70450-0071 | (55.88) / 2.200 | (58.39) / 2.299 |
| 48 | 022-55-2482 | 70450-0072 | (58.42) / 2.300 | (60.93) / 2.399 |
| 50 | 022-55-2502 | 70450-0073 | (60.96) / 2.400 | (63.47) / 2.499 |
| 52 | NOT TOOLED | 70450-0074 | (63.50) / 2.500 | (66.01) / 2.599 |
| 54 | NOT TOOLED | 70450-0075 | (66.04) / 2.600 | (68.55) / 2.699 |

| | | | | | | |
|---|-----------------|---|-----------------|------------|---|---|
| ADD COSMETIC SPEC EC NO: UCP2007-2009 DRAWN: JORGAN 2007/02/23 CHKD: MS BARRA 2007/02/23 APPR: SMILLER 2007/02/27 | QUALITY SYMBOLS | GENERAL TOLERANCES (UNLESS SPECIFIED) | DIMENSION STYLE | SCALE | DESIGN UNITS | THIRD ANGLE PROJECTION |
| | ▽=0 ▽=0 | mm INCH 4 PLACES ± --- ± --- 3 PLACES ± --- ± .010 2 PLACES ± 0.25 ± .014 1 PLACE ± 0.35 ± --- ANGULAR ±1/2° | MM/IN | 4:1 | INCH | ☉ □ THIRD ANGLE PROJECTION |
| | DESCRIPTION | DRAFT WHERE APPLICABLE MUST REMAIN WITHIN DIMENSIONS | DRAWN BY | DATE | TITLE | HOUSING-CONNECTOR DUAL ROW (2.54)/.100 GRID WITH POLARIZATION KEY MOLEX INCORPORATED |
| | REV | | MJM | 1986/10/22 | | |
| | | | | CHECKED BY | DATE | DOCUMENT NO. |
| | | | MJM | 1986/10/22 | SD-70450-0050-0075 | 1 OF 1 |
| | | | APPROVED BY | DATE | THIS DRAWING CONTAINS INFORMATION THAT IS PROPRIETARY TO MOLEX INCORPORATED AND SHOULD NOT BE USED WITHOUT WRITTEN PERMISSION | |
| | | | WAZ | 1986/10/22 | | |
| | | | MATERIAL NO. | SIZE | | |
| | | | | C | | |

www.DataSheetU.com