

Subminiature Supplies

B-15-03

T-5705



3355 Vincent Road, Pleasant Hill, CA 94523-4389 Telephone (415) 932-3911 Telex: 269 888 Telefax: (415) 932-6017

DESCRIPTION

For limited space and/or low power requirement applications, CALEX offers the world's smallest encapsulated power supplies. "Rugged" is the word for these mini-modules that are capable of meeting MIL S-901. They are available in a variety of output voltages from +5 Volts to ±15 Volts. Small in size and power these unique units are big in performance and reliability. They carry the same 5 year warranty as the larger units and are built to the same demanding standards.

COMMON SPECIFICATIONS

Input Voltage

- 115 ± 10VAC (add " - 115" to model number)
- 100 ± 10VAC (add " - 100" to model number)
- 220 ± 20VAC (add " - 220" to model number)
- 230 ± 20VAC (add " - 230" to model number)
- 240 ± 20VAC (add " - 240" to model number)

Input Frequency Range:

50 to 60Hz (Frequency up to 400Hz available on special order.)

Isolation:

- Resistance: 50 megohms minimum
- Capacitance: 250pF
- Voltage: 1200 VRMS

Temperature Coefficient:

±0.01%/°C

Storage Temperature:

-25°C to +85°C

Maximum Case Operating Temperature Without Derating:

+50°C

Short Circuit Protection:

- Foldback Current Limiting: 22-120, 22-100 and 22-100DV
- Current Limiting: 21-30, 21-22 and 22-40

SELECTION CHART

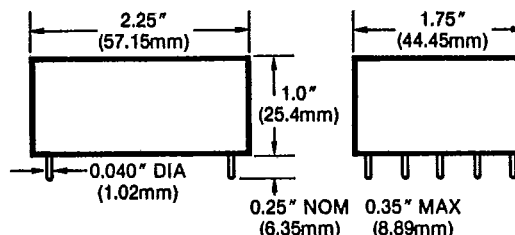
OUTPUT VOLTAGE	OUTPUT CURRENT	VOLTAGE ACCURACY	LINE & LOAD (NL TO FL) REGULATION	NOISE RIPPLE	CASE SIZE	MODEL NUMBER
+5V	300mA	±1%	±0.1%	2mVrms	C	21-30
+12V	120mA	±0.5%	±0.1%	2mVrms	C	21-12
±12V	±120mA	±0.5%	±0.02%	2mVrms	A	22-120
±15V	±50mA	±0.5%	±0.1%	2mVrms	C	22-40
±15V	±100mA	±0.5%	±0.02%	2mVrms	A	22-100
±15V	±100mA	±0.5%	±0.02%	2mVrms	A	22-100DV

All units for 50Hz operation derate output current 50%.
Dual AC Input Voltage 100VAC to 120VAC or 200VAC to 240VAC:

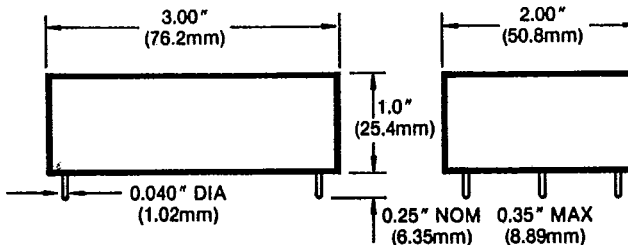


CASE SIZES

Case C



Case A



See next page for additional case details.

Mounting Kits for Subminiature Supplies

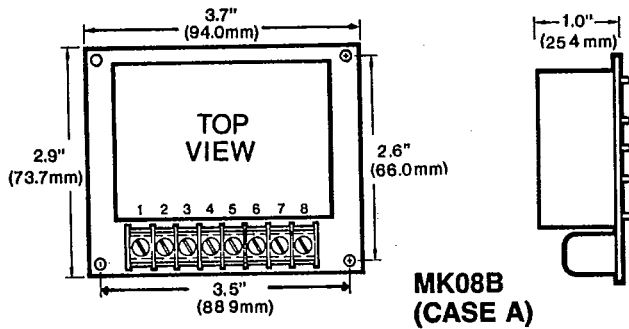


3355 Vincent Road, Pleasant Hill, CA 94523-4389 Telephone (415) 932-3911 Telex: 269 888 Telefax: (415) 932-6017

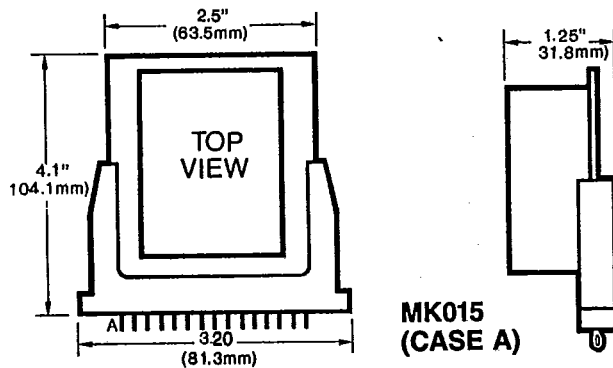
DESCRIPTION

Two types of mounting kits are available for this subminiature series of supplies. One consists of a PC card with 15 pin connector. The second employs a barrier strip for chassis mount applications. The module can be firmly attached in place with mounting screws.

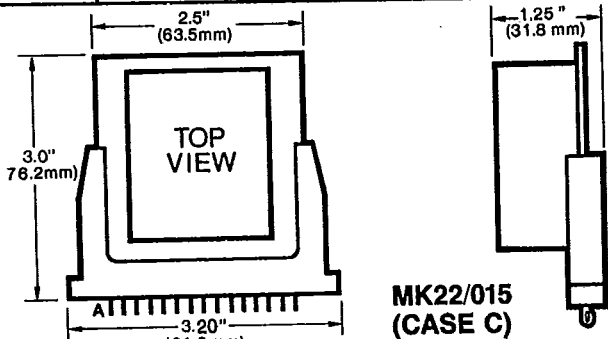
CASE TO MOUNTING KIT CONNECTIONS				
CASE SIZE	A	C	A	C
CASE PIN	MK08B	MK22/08B	MK015	MK22/015
1	-	1	-	P
2	2	2	P	S
3	3	6	S	C
4	-	5	-	J
5	5	4	E	A
6	4	-	L	-
7	8	-	C	-
8	7	-	J	-
9	6	-	A	-



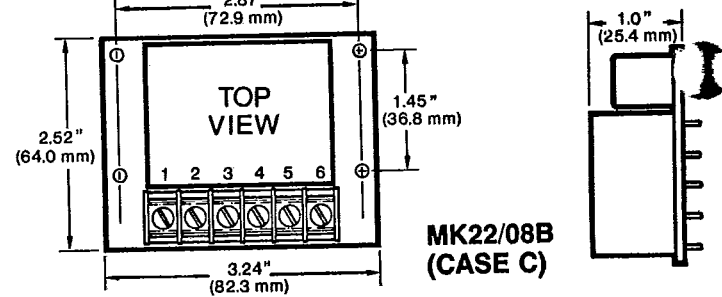
MK08B (CASE A)



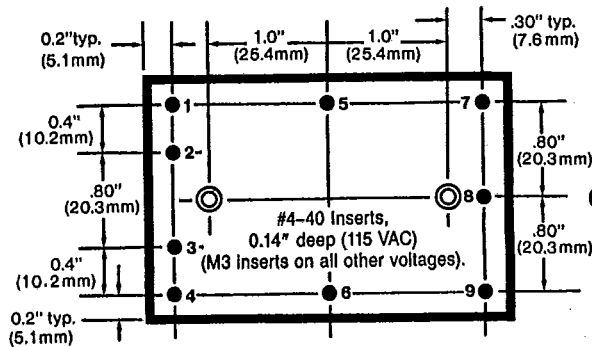
MK015 (CASE A)



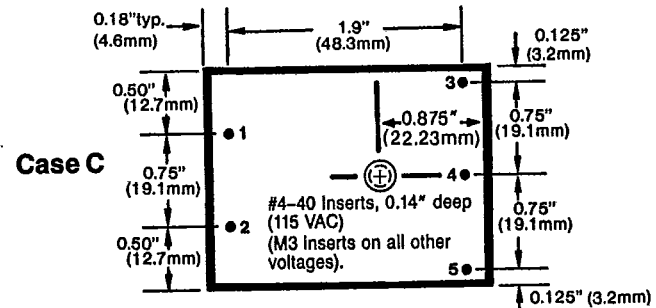
MK22/015 (CASE C)



MK22/08B (CASE C)



Case A



Case C

PIN	MODEL					
	22-120	22-100	22-100DV*	21-30	21-12	22-40
1			AC in	AC in	AC in	AC in
2	AC in	AC in		AC in	AC in	AC in
3	AC in	AC in		COM	COM	-15 reg
4			AC in			COM
5	- unreg	- unreg	- unreg	+ 5 reg	+ 12 reg	+ 15 reg
6	+ unreg	+ unreg	+ unreg			
7	- 12 reg	- 15 reg	- 15 reg			
8	COM	COM	COM			
9	+ 12 reg	+ 15 reg	+ 15 reg			

Pins not referenced are not inserted in case.
 *For 220VAC In, add jumpers 2-3;
 for 110VAC In, add jumpers 1-3 & 2-4