

PLEASE CHECK WWW.MOLEX.COM FOR LATEST PART INFORMATION

Part Number: [0498389102](#)
Status: **Active**
Description: 6.35mm (.250") MP-Lock™ Flag Terminal, 14-18 AWG, Pre Tin Plated

Documents:

[Drawing \(PDF\)](#) [RoHS Certificate of Compliance \(PDF\)](#)
[Product Specification PS-49838-001 \(PDF\)](#)

General

Product Family	Crimp Terminals
Series	49838
Crimp Quality Equipment	Yes
Product Name	MP-Lock™

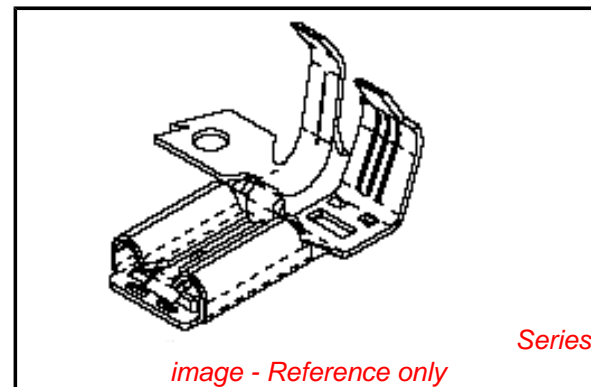
Physical

Gender	Female
Material - Metal	Brass
Material - Plating Mating	Tin
Material - Plating Termination	Tin
Packaging Type	Reel
Plating min: Mating (µin)	32.00
Plating min: Mating (µm)	0.800
Plating min: Termination (µin)	32.00
Plating min: Termination (µm)	0.80
Wire Insulation Diameter	N/A
Wire Size AWG	12, 14, 16, 18
Wire Size mm²	N/A

Material Info

Reference - Drawing Numbers

Product Specification	PS-49838-001
Sales Drawing	SD-49838-001



EU RoHS

**ELV and RoHS
Compliant**
**REACH SVHC
Contains SVHC: No**
**Halogen-Free
Status**

China RoHS



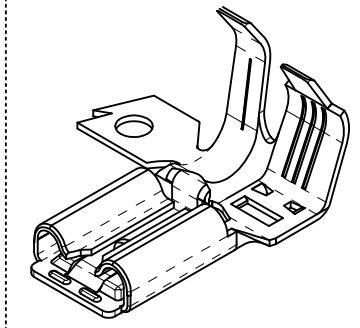
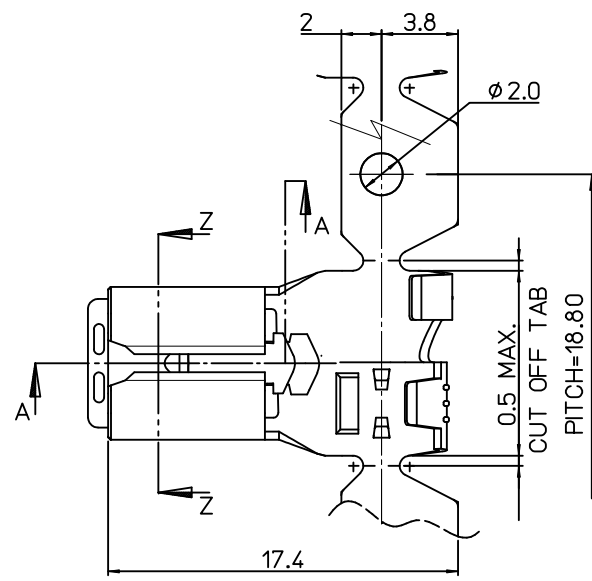
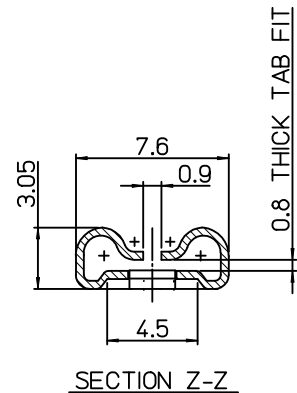
**Need more information on product
environmental compliance?**

Email productcompliance@molex.com
 For a multiple part number RoHS Certificate of Compliance, [click here](#)

Please visit the [Contact Us](#) section for any non-product compliance questions.

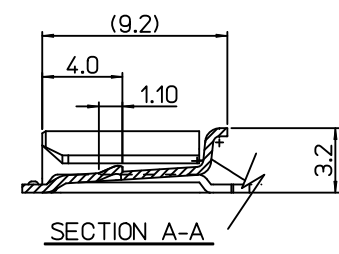
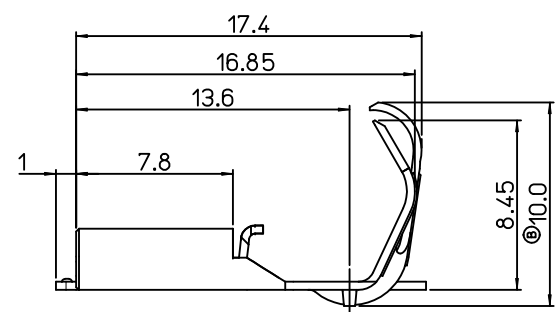
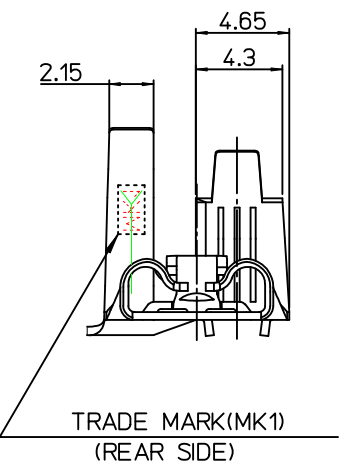
Search Parts in this Series
[49838Series](#)

Mates With



NOTES.

1. MATERIAL : BRASS
2. FINISH : PRE-TIN PLATED
1.0 μm TIN PLATING
OVERALL 0.3 μm COPPER PLATING
3. MATED HOUSING : 49837-011*
4. MATING TAB : 0.8T
5. APPLICABLE WIRE RANGE : AWG#12~#18
6. PRODUCT SPECIFICATION : PS-49838-001
7. PACKING SPECIFICATION : PK-49838-001
8. CRIMPING SPECIFICATION : CS-49838-001



REVISED EC NO: KOR2010-0144 DRAWN: JHPARK01 CHKD: 2010/03/29 APPR: YUNSIKKIM 2010/03/30	QUALITY SYMBOLS	GENERAL TOLERANCES (UNLESS SPECIFIED)	DIMENSION STYLE	SCALE	DESIGN UNITS	THIRD ANGLE PROJECTION
	$\nabla = 0$ $\sphericalangle = 0$	mm INCH	MM ONLY	1:1	METRIC	
	4 PLACES ± --- ± --- 3 PLACES ± --- ± --- 2 PLACES ± 0.30 ± --- 1 PLACE ± 0.30 ± --- ANGULAR ± 1 °	DRAWN BY: JB. JIN CHECKED BY: WY. YANG APPROVED BY: EH. JUNG DATE: 2007/04/18 DATE: 2007/04/18 DATE: 2007/04/18	TITLE	.250 MP-LOCK FLAG TERMINAL(MEX)		
	DRAFT WHERE APPLICABLE MUST REMAIN WITHIN DIMENSIONS	MATERIAL NO. 498389102	MOLEX INCORPORATED DOCUMENT NO. SD-49838-001	SHEET NO.	1 OF 01	