

1M-BIT CMOS STATIC RAM

128K-WORD BY 8-BIT

Description

The μ PD431000A is a high speed, low power, and 1,048,576 bits (131,072 words by 8 bits) CMOS static RAM.

The μ PD431000A has two chip enable pins (/CE1, CE2) to extend the capacity. And battery backup is available. In addition to this, A and B versions are low voltage operations.

The μ PD431000A is packed in 32-pin PLASTIC DIP, 32-pin PLASTIC SOP and 32-pin PLASTIC TSOP (I) (8 × 13.4 mm) and (8 × 20 mm).

Features

- 131,072 words by 8 bits organization
- Fast access time: 70, 85, 100, 120, 150 ns (MAX.)
- Low voltage operation (A version: $V_{CC} = 3.0$ to 5.5 V, B version: $V_{CC} = 2.7$ to 5.5 V)
- Operating ambient temperature: $T_A = 0$ to 70 °C
- Low V_{CC} data retention: 2.0 V (MIN.)
- Output Enable input for easy application
- Two Chip Enable inputs: /CE1, CE2

Part number	Access time ns (MAX.)	Operating supply voltage V	Operating ambient temperature °C	Supply current		
				At operating mA (MAX.)	At standby μ A (MAX.)	At data retention μ A (MAX.) ^{Note1}
μ PD431000A-xxL	70, 85	4.5 to 5.5	0 to 70	70	100	15
μ PD431000A-xxLL					20	3
μ PD431000A-Axx	70 ^{Note2} , 100	3.0 to 5.5		35 ^{Note3}	13 ^{Note5}	
★ μ PD431000A-Bxx	70 ^{Note2} , 100, 120, 150	2.7 to 5.5		30 ^{Note4}	11 ^{Note6}	

Notes 1. $T_A \leq 40$ °C

2. $V_{CC} = 4.5$ to 5.5 V
3. 70 mA ($V_{CC} > 3.6$ V)
4. 70 mA ($V_{CC} > 3.3$ V)
5. 20 μ A ($V_{CC} > 3.6$ V)
6. 20 μ A ($V_{CC} > 3.3$ V)

The information in this document is subject to change without notice. Before using this document, please confirm that this is the latest version.
Not all devices/types available in every country. Please check with local NEC representative for availability and additional information.

Ordering Information

Part number	Package	Access time ns (MAX.)	Operating supply voltage V	Operating ambient temperature °C	Remark	
μPD431000ACZ-70L	32-pin PLASTIC DIP (15.24mm (600))	70	4.5 to 5.5	0 to 70	L version	
μPD431000ACZ-85L		85				
μPD431000ACZ-70LL		70			LL version	
μPD431000ACZ-85LL		85				
μPD431000AGW-70L	32-pin PLASTIC SOP (13.34 mm (525))	70	4.5 to 5.5	0 to 70	L version	
μPD431000AGW-85L		85				
μPD431000AGW-70LL		70			LL version	
μPD431000AGW-85LL		85	3.0 to 5.5	0 to 70	A version	
μPD431000AGW-A10		100			B version	
μPD431000AGW-B12		120			150	
μPD431000AGW-B15		150				
μPD431000AGZ-85L-KJH		32-pin PLASTIC TSOP(I) (8x20) (Normal bent)	85	4.5 to 5.5	0 to 70	L version
μPD431000AGZ-70LL-KJH			70			LL version
μPD431000AGZ-85LL-KJH	85		2.7 to 5.5	0 to 70	B version	
★ μPD431000AGZ-B10-KJH	100					
μPD431000AGZ-B15-KJH	150					
μPD431000AGZ-70LL-KKH	32-pin PLASTIC TSOP(I) (8x20) (Reverse bent)	70	4.5 to 5.5	0 to 70	LL version	
μPD431000AGZ-B15-KKH		150	2.7 to 5.5		B version	
★ μPD431000AGU-B10-9JH	32-pin PLASTIC TSOP(I) (8x13.4) (Normal bent)	100	2.7 to 5.5	0 to 70	B version	
μPD431000AGU-B12-9JH		120				
μPD431000AGU-B15-9JH		150				
★ μPD431000AGU-B10-9KH	32-pin PLASTIC TSOP(I) (8x13.4) (Reverse bent)	100				

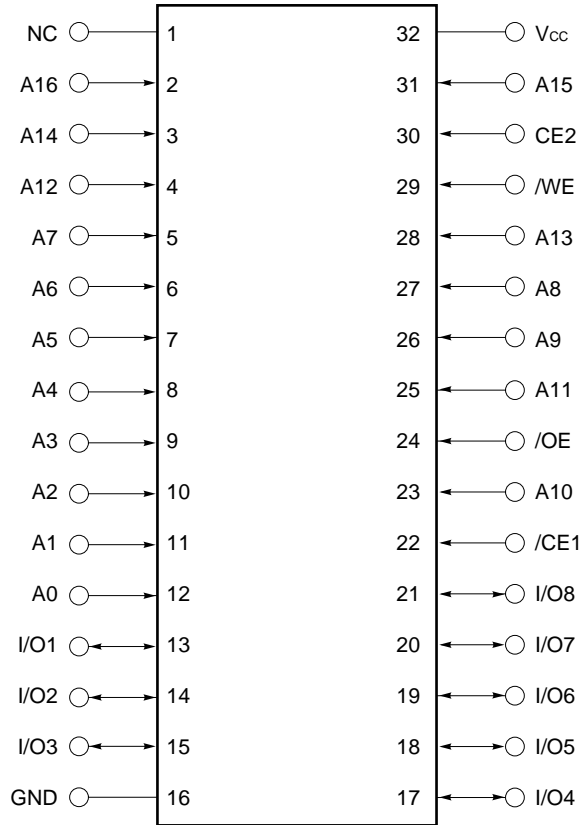
Pin Configurations (Marking Side)

/xxx indicates active low signal.

32-pin PLASTIC DIP (15.24 mm (600))

[μPD431000ACZ-xxL]

[μPD431000ACZ-xxLL]



- A0 - A16 : Address inputs
- I/O1 - I/O8 : Data inputs / outputs
- /CE1, CE2 : Chip Enable 1, 2
- /WE : Write Enable
- /OE : Output Enable
- Vcc : Power supply
- GND : Ground
- NC : No connection

Remark Refer to **Package Drawings** for the 1-pin index mark.

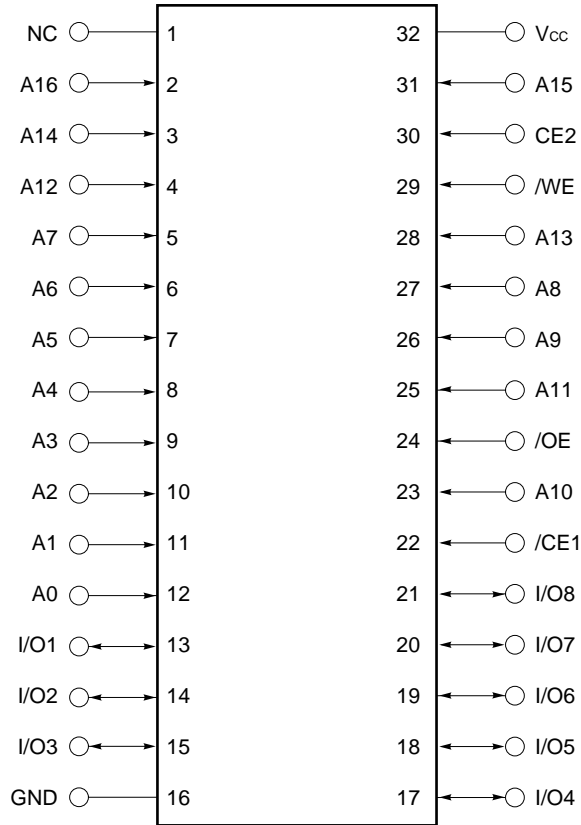
32-pin PLASTIC SOP (13.34 mm (525))

[μPD431000AGW-xxL]

[μPD431000AGW-xxLL]

[μPD431000AGW-Axx]

[μPD431000AGW-Bxx]



- A0 - A16 : Address inputs
- I/O1 - I/O8 : Data inputs / outputs
- /CE1, CE2 : Chip Enable 1, 2
- /WE : Write Enable
- /OE : Output Enable
- Vcc : Power supply
- GND : Ground
- NC : No connection

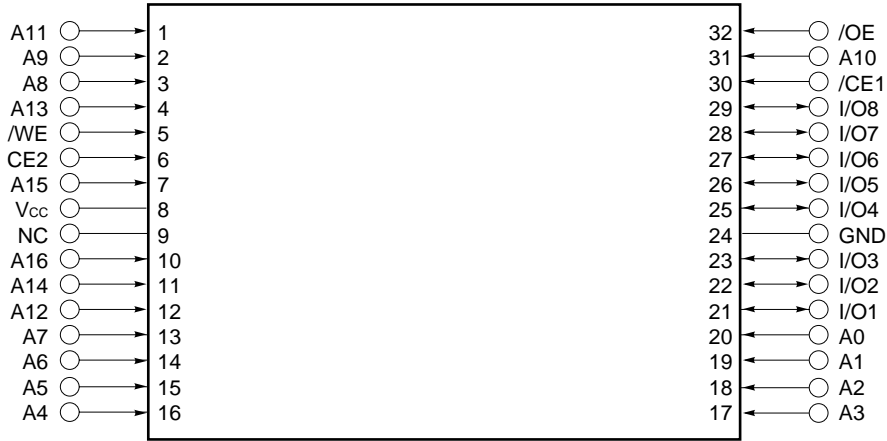
Remark Refer to **Package Drawings** for the 1-pin index mark.

32-pin PLASTIC TSOP(I) (8x20) (Normal bent)

[μPD431000AGZ-xxL-KJH]

[μPD431000AGZ-xxLL-KJH]

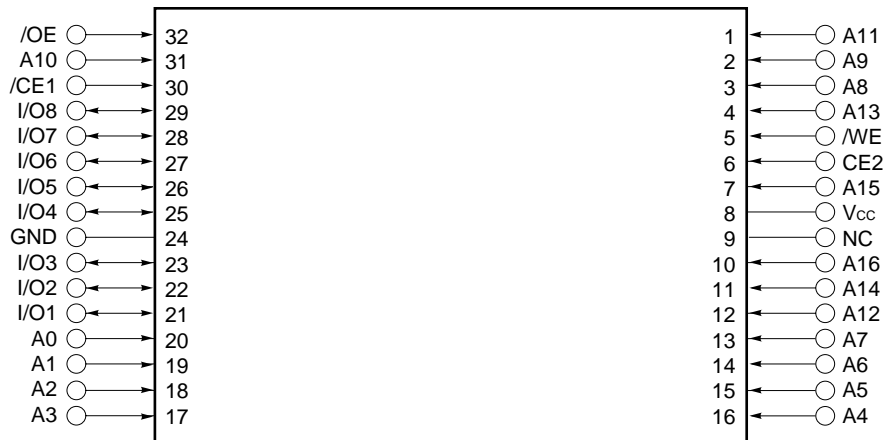
[μPD431000AGZ-Bxx-KJH]



32-pin PLASTIC TSOP(I) (8x20) (Reverse bent)

[μPD431000AGZ-xxLL-KKH]

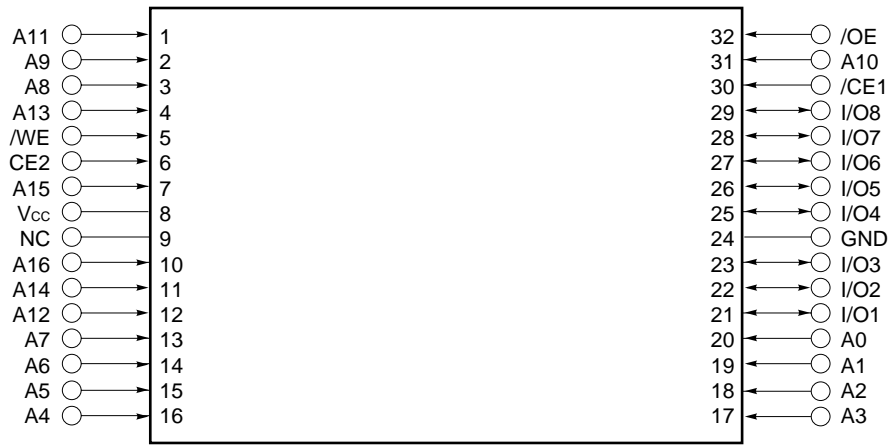
[μPD431000AGZ-Bxx-KKH]



- A0 - A16 : Address inputs
- I/O1 - I/O8 : Data inputs / outputs
- /CE1, CE2 : Chip Enable 1, 2
- /WE : Write Enable
- /OE : Output Enable
- Vcc : Power supply
- GND : Ground
- NC : No connection

Remark Refer to **Package Drawings** for the 1-pin index mark.

32-pin PLASTIC TSOP(I) (8x13.4) (Normal bent)
[μPD431000AGU-Bxx-9JH]



★

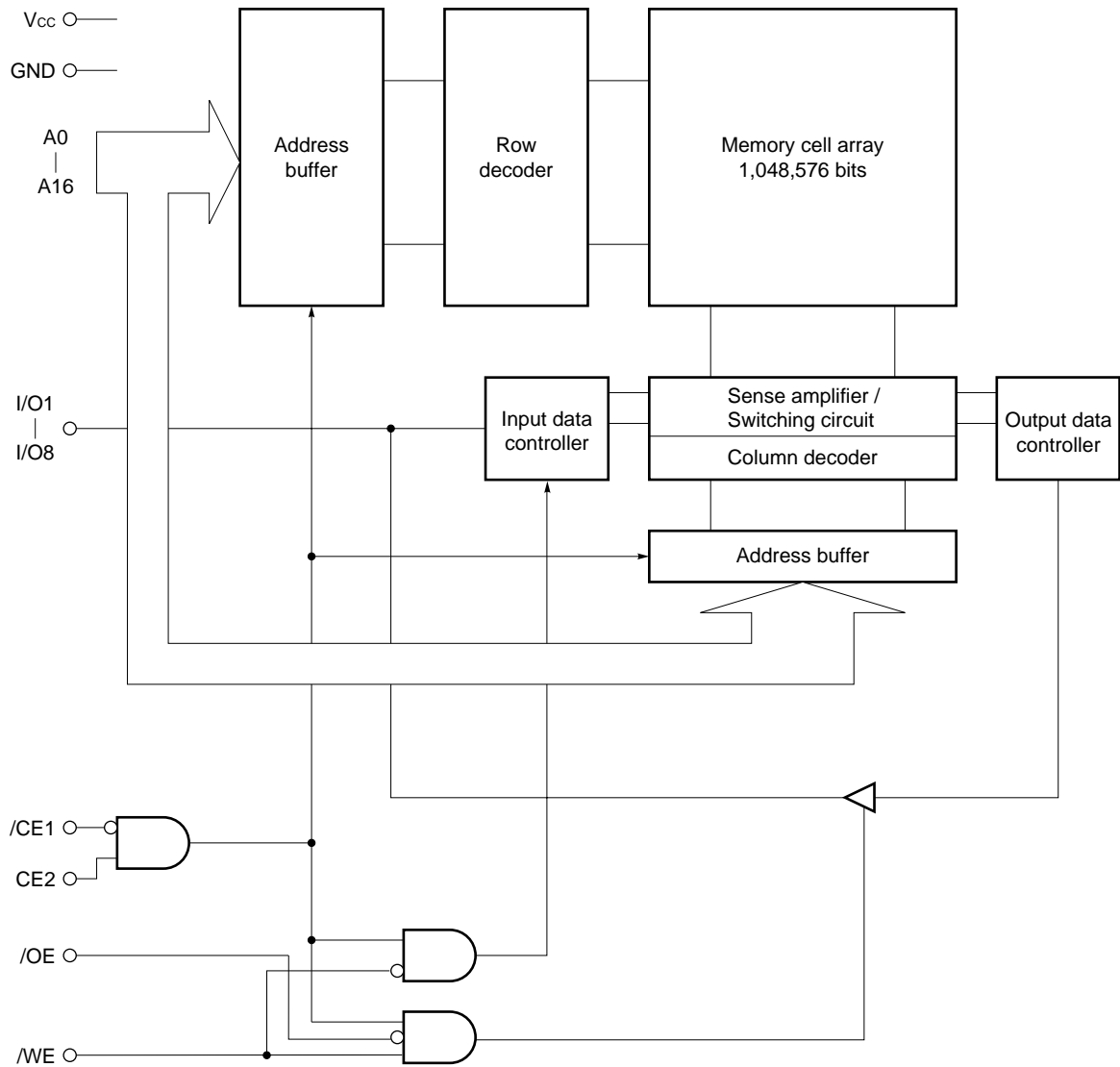
32-pin PLASTIC TSOP(I) (8x13.4) (Reverse bent)
[μPD431000AGU-Bxx-9KH]



- A0 - A16 : Address inputs
- I/O1 - I/O8 : Data inputs / outputs
- /CE1, CE2 : Chip Enable 1, 2
- /WE : Write Enable
- /OE : Output Enable
- V_{cc} : Power supply
- GND : Ground
- NC : No connection

Remark Refer to **Package Drawings** for the 1-pin index mark.

Block Diagram



Truth Table

/CE1	CE2	/OE	/WE	Mode	I/O	Supply current
H	×	×	×	Not selected	High impedance	I _{SB}
×	L	×	×			
L	H	H	H	Output disable		I _{CCA}
L	H	L	H	Read	D _{OUT}	
L	H	×	L	Write	D _{IN}	

Remark × : V_{IH} or V_{IL}

Electrical Specifications

Absolute Maximum Ratings

Parameter	Symbol	Condition	Rating	Unit
Supply voltage	V _{CC}		-0.5 ^{Note} to +7.0	V
Input / Output voltage	V _T		-0.5 ^{Note} to V _{CC} + 0.5	V
Operating ambient temperature	T _A		0 to 70	°C
Storage temperature	T _{stg}		-55 to +125	°C

Note -3.0 V (MIN.) (Pulse width: 30 ns)

Caution Exposing the device to stress above those listed in Absolute Maximum Rating could cause permanent damage. The device is not meant to be operated under conditions outside the limits described in the operational section of this specification. Exposure to Absolute Maximum Rating conditions for extended periods may affect device reliability.

Recommended Operating Conditions

Parameter	Symbol	Condition	μPD431000A-xxL		μPD431000A-Axx		μPD431000A-Bxx		Unit
			MIN.	MAX.	MIN.	MAX.	MIN.	MAX.	
Supply voltage	V _{CC}		4.5	5.5	3.0	5.5	2.7	5.5	V
High level input voltage	V _{IH}		2.2	V _{CC} +0.5	2.2	V _{CC} +0.5	2.2	V _{CC} +0.5	V
Low level input voltage	V _{IL}		-0.3 ^{Note}	+0.8	-0.3 ^{Note}	+0.5	-0.3 ^{Note}	+0.5	V
Operating ambient temperature	T _A		0	70	0	70	0	70	°C

Note -3.0 V (MIN.) (Pulse width: 30 ns)

Capacitance (T_A = 25 °C, f = 1 MHz)

Parameter	Symbol	Test conditions	MIN.	TYP.	MAX.	Unit
Input capacitance	C _{IN}	V _{IN} = 0 V			6	pF
Input / Output capacitance	C _{I/O}	V _{I/O} = 0 V			10	pF

- Remarks**
- V_{IN} : Input voltage
V_{I/O} : Input / Output voltage
 - These parameters are not 100% tested.

DC Characteristics (Recommended Operating Conditions Unless Otherwise Noted) (1/2)

Parameter	Symbol	Test condition	μPD431000A-xxL			μPD431000A-xxLL			μPD431000A-Axx			Unit
			MIN.	TYP.	MAX.	MIN.	TYP.	MAX.	MIN.	TYP.	MAX.	
Input leakage current	I _{LI}	V _{IN} = 0 V to V _{CC}	-1.0		+1.0	-1.0		+1.0	-1.0		+1.0	μA
I/O leakage current	I _{LO}	V _{I/O} = 0 V to V _{CC} , /CE1 = V _{IH} or CE2 = V _{IL} or /WE = V _{IL} or /OE = V _{IH}	-1.0		+1.0	-1.0		+1.0	-1.0		+1.0	μA
Operating supply current	I _{CCA1}	/CE1 = V _{IL} , CE2 = V _{IH} , I _{I/O} = 0 mA		40	70		40	70		40	70	mA
		Minimum cycle time V _{CC} ≤ 3.6 V			-			-			35	
	I _{CCA2}	/CE1 = V _{IL} , CE2 = V _{IH} , I _{I/O} = 0 mA, Cycle time = ∞			15			15			15	
		V _{CC} ≤ 3.6 V			-			-			8	
I _{CCA3}	/CE1 ≤ 0.2 V, CE2 ≥ V _{CC} - 0.2 V, Cycle time = 1 μs, I _{I/O} = 0 mA, V _{IL} ≤ 0.2 V, V _{IH} ≥ V _{CC} - 0.2 V			10			10			10		
	V _{CC} ≤ 3.6 V			-			-			8		
Standby supply current	I _{SB}	/CE1 = V _{IH} or CE2 = V _{IL}			3			3			3	mA
		V _{CC} ≤ 3.6 V			-			-			2	
	I _{SB1}	/CE1 ≥ V _{CC} - 0.2 V, CE2 ≥ V _{CC} - 0.2 V		2	100		1	20		1	20	μA
		V _{CC} ≤ 3.6 V			-			-		0.5	13	
I _{SB2}	CE2 ≤ 0.2 V		2	100		1	20		1	20		
	V _{CC} ≤ 3.6 V			-			-		0.5	13		
High level output voltage	V _{OH1}	I _{OH} = -1.0 mA, V _{CC} ≥ 4.5 V	2.4			2.4			2.4			V
		I _{OH} = -0.5 mA	-			-			2.4			
	V _{OH2}	I _{OH} = -0.02 mA	-			-			V _{CC} -0.1			
Low level output voltage	V _{OL1}	I _{OL} = 2.1 mA, V _{CC} ≥ 4.5 V			0.4			0.4			0.4	V
		I _{OL} = 1.0 mA			-			-			0.4	
	V _{OL2}	I _{OL} = 0.02 mA			-			-			0.1	

Remarks 1. V_{IN} : Input voltage

V_{I/O} : Input / Output voltage

2. These DC characteristics are in common regardless product classification.

DC Characteristics (Recommended Operating Conditions Unless Otherwise Noted) (2/2)

Parameter	Symbol	Test condition	μPD431000A-Bxx			Unit
			MIN.	TYP.	MAX.	
Input leakage current	I _{LI}	V _{IN} = 0 V to V _{CC}	-1.0		+1.0	μA
I/O leakage current	I _{LO}	V _{I/O} = 0 V to V _{CC} , /CE1 = V _{IH} or CE2 = V _{IL} or /WE = V _{IL} or /OE = V _{IH}	-1.0		+1.0	μA
Operating supply current	I _{CCA1}	/CE1 = V _{IL} , CE2 = V _{IH} , I _{I/O} = 0 mA		40	70	mA
		Minimum cycle time	V _{CC} ≤ 3.3 V		30	
	I _{CCA2}	/CE1 = V _{IL} , CE2 = V _{IH} , I _{I/O} = 0 mA,			15	
		Cycle time = ∞	V _{CC} ≤ 3.3 V		7	
I _{CCA3}	/CE1 ≤ 0.2 V, CE2 ≥ V _{CC} - 0.2 V,			10		
	Cycle time = 1 μs, I _{I/O} = 0 mA, V _{IL} ≤ 0.2 V, V _{IH} ≥ V _{CC} - 0.2 V	V _{CC} ≤ 3.3 V		7		
Standby supply current	I _{SB}	/CE1 = V _{IH} or CE2 = V _{IL}			3	mA
			V _{CC} ≤ 3.3 V		2	
	I _{SB1}	/CE1 ≥ V _{CC} - 0.2 V, CE2 ≥ V _{CC} - 0.2 V		1	20	μA
			V _{CC} ≤ 3.3 V	0.5	11	
I _{SB2}	CE2 ≤ 0.2 V		1	20		
		V _{CC} ≤ 3.3 V	0.5	11		
High level output voltage	V _{OH1}	I _{OH} = -1.0 mA, V _{CC} ≥ 4.5 V	2.4			V
		I _{OH} = -0.5 mA	2.4			
	V _{OH2}	I _{OH} = -0.02 mA	V _{CC} -0.1			
Low level output voltage	V _{OL1}	I _{OL} = 2.1 mA, V _{CC} ≥ 4.5 V			0.4	V
		I _{OL} = 1.0 mA			0.4	
	V _{OL2}	I _{OL} = 0.02 mA			0.1	

Remarks 1. V_{IN} : Input voltage

V_{I/O} : Input / Output voltage

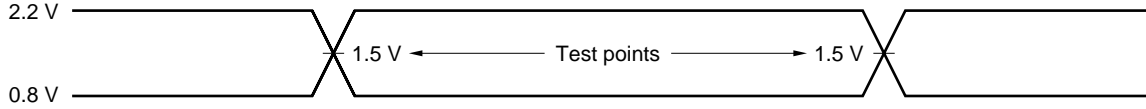
2. These DC characteristics are in common regardless product classification.

AC Characteristics (Recommended Operating Conditions Unless Otherwise Noted)

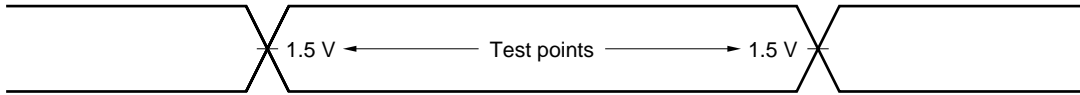
AC Test Conditions

[μPD431000A-70L, μPD431000A-85L, μPD431000A-70LL, μPD431000A-85LL]

Input Waveform (Rise and Fall Time ≤ 5 ns)



Output Waveform



Output Load

AC characteristics should be measured with the following output load conditions.

Figure 1

(tAA, tCO1, tCO2, tOE, tOH)

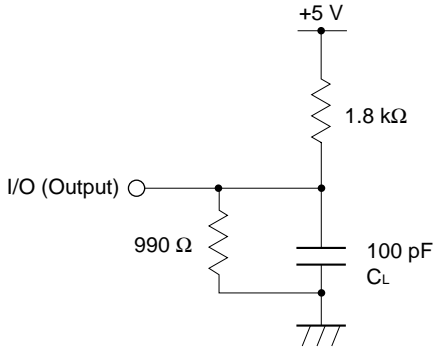
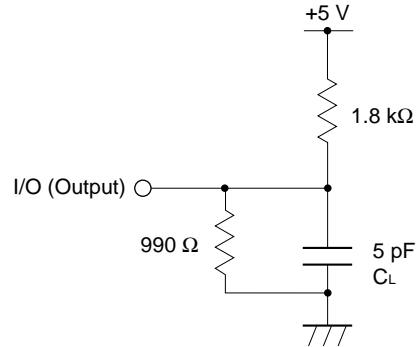


Figure 2

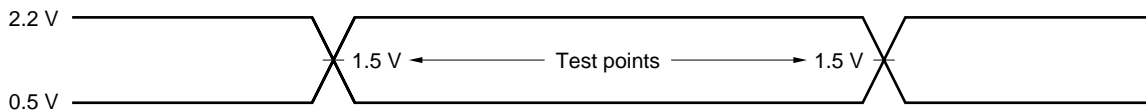
(tLZ1, tLZ2, tOLZ, tHZ1, tHZ2, tOHZ, tWHZ, tOW)



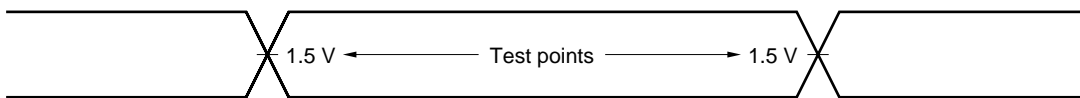
Remark CL includes capacitance of the probe and jig, and stray capacitance.

★ [μPD431000A-A10, μPD431000A-B10, μPD431000A-B12, μPD431000A-B15]

Input Waveform (Rise and Fall Time ≤ 5 ns)



Output Waveform



Output Load

AC characteristics should be measured with the following output load conditions.

Part number	Output load condition	
	tAA, tCO1, tCO2, tOE, tOH	tLZ1, tLZ2, tOLZ, tHZ1, tHZ2, tOHZ, tWHZ, tOW
μPD431000A-A10, μPD431000A-B10, μPD431000A-B12	1TTL + 50 pF	1TTL + 5 pF
μPD431000A-B15	1TTL + 100 pF	1TTL + 5 pF

★

Read Cycle (1/2)

Parameter	Symbol	V _{CC} ≥ 4.5 V				V _{CC} ≥ 3.0 V		Unit	Condition
		μPD431000A-70 μPD431000A-Axx μPD431000A-Bxx		μPD431000A-85		μPD431000A-A10			
		MIN.	MAX.	MIN.	MAX.	MIN.	MAX.		
Read cycle time	t _{RC}	70		85		100		ns	
Address access time	t _{AA}		70		85		100	ns	Note
/CE1 access time	t _{CO1}		70		85		100	ns	
CE2 access time	t _{CO2}		70		85		100	ns	
/OE to output valid	t _{OE}		35		45		50	ns	
Output hold from address change	t _{OH}	10		10		10		ns	
/CE1 to output in low impedance	t _{LZ1}	10		10		10		ns	
CE2 to output in low impedance	t _{LZ2}	10		10		10		ns	
/OE to output in low impedance	t _{OLZ}	5		5		5		ns	
/CE1 to output in high impedance	t _{HZ1}		25		30		35	ns	
CE2 to output in high impedance	t _{HZ2}		25		30		35	ns	
/OE to output in high impedance	t _{OHZ}		25		30		35	ns	

Note See the **output load**.

Remark These AC characteristics are in common regardless of package types.

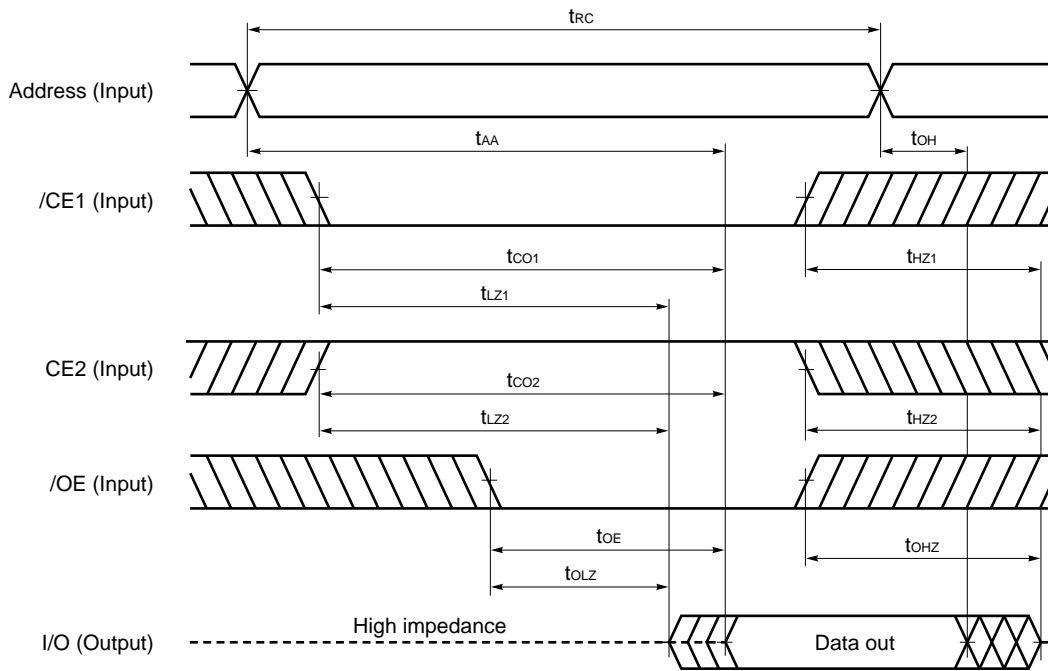
★ **Read Cycle (2/2)**

Parameter	Symbol	V _{CC} ≥ 2.7 V						Unit	Condition
		μPD431000A-B10		μPD431000A-B12		μPD431000A-B15			
		MIN.	MAX.	MIN.	MAX.	MIN.	MAX.		
Read cycle time	t _{RC}	100		120		150		ns	
Address access time	t _{AA}		100		120		150	ns	Note
/CE1 access time	t _{CO1}		100		120		150	ns	
CE2 access time	t _{CO2}		100		120		150	ns	
/OE to output valid	t _{OE}		50		60		70	ns	
Output hold from address change	t _{OH}	10		10		10		ns	
/CE1 to output in low impedance	t _{LZ1}	10		10		10		ns	
CE2 to output in low impedance	t _{LZ2}	10		10		10		ns	
/OE to output in low impedance	t _{OLZ}	5		5		5		ns	
/CE1 to output in high impedance	t _{HZ1}		35		40		50	ns	
CE2 to output in high impedance	t _{HZ2}		35		40		50	ns	
/OE to output in high impedance	t _{OHZ}		35		40		50	ns	

Note See the **output load**.

Remark These AC characteristics are in common regardless of package types.

Read Cycle Timing Chart



Remark In read cycle, /WE should be fixed to high level.

Write Cycle (1/2)

Parameter	Symbol	V _{CC} ≥ 4.5 V				V _{CC} ≥ 3.0 V		Unit	Condition
		μPD431000A-70 μPD431000A-Axx μPD431000A-Bxx		μPD431000A-85		μPD431000A-A10			
		MIN.	MAX.	MIN.	MAX.	MIN.	MAX.		
Write cycle time	t _{wc}	70		85		100		ns	
/CE1 to end of write	t _{cw1}	55		70		80		ns	
CE2 to end of write	t _{cw2}	55		70		80		ns	
Address valid to end of write	t _{aw}	55		70		80		ns	
Address setup time	t _{as}	0		0		0		ns	
Write pulse width	t _{wp}	50		60		60		ns	
Write recovery time	t _{wr}	5		5		0		ns	
Data valid to end of write	t _{dw}	35		35		60		ns	
Data hold time	t _{dh}	0		0		0		ns	
/WE to output in high impedance	t _{whz}		25		30		35	ns	Note
Output active from end of write	t _{ow}	5		5		5		ns	

Note See the **output load**.

Remark These AC characteristics are in common regardless package types.

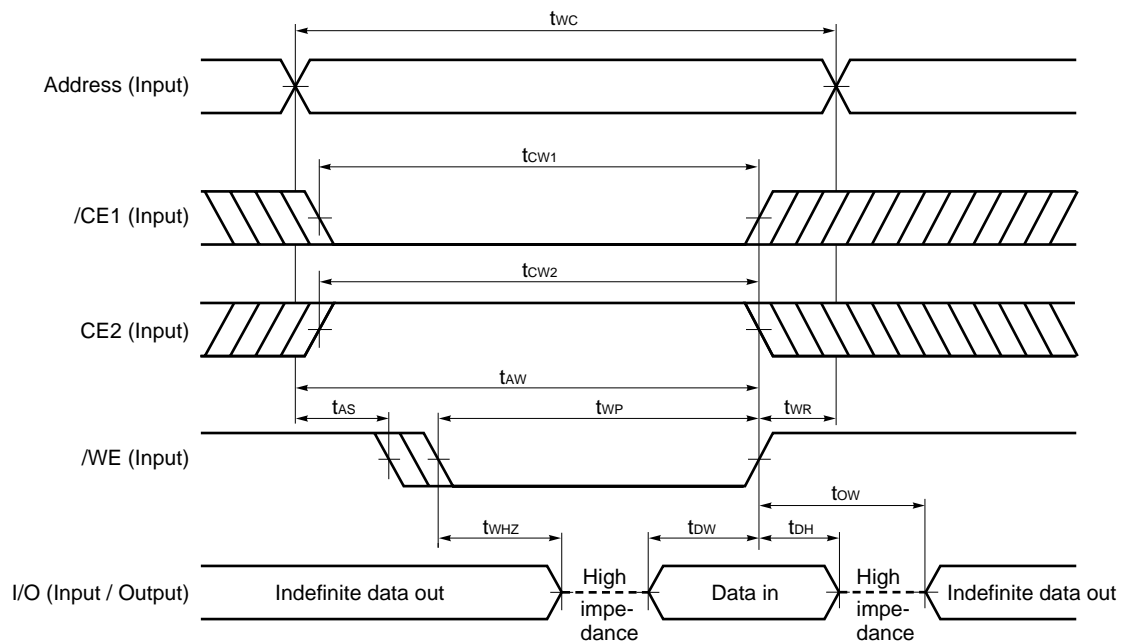
★ **Write Cycle (2/2)**

Parameter	Symbol	V _{CC} ≥ 2.7 V						Unit	Condition
		μPD431000A-B10		μPD431000A-B12		μPD431000A-B15			
		MIN.	MAX.	MIN.	MAX.	MIN.	MAX.		
Write cycle time	t _{wc}	100		120		150		ns	
/CE1 to end of write	t _{cw1}	80		100		120		ns	
CE2 to end of write	t _{cw2}	80		100		120		ns	
Address valid to end of write	t _{aw}	80		100		120		ns	
Address setup time	t _{as}	0		0		0		ns	
Write pulse width	t _{wp}	60		85		100		ns	
Write recovery time	t _{wr}	0		0		0		ns	
Data valid to end of write	t _{dw}	60		60		80		ns	
Data hold time	t _{dh}	0		0		0		ns	
/WE to output in high impedance	t _{whz}		35		40		50	ns	Note
Output active from end of write	t _{ow}	5		5		5		ns	

Note See the **output load**.

Remark These AC characteristics are in common regardless of package types.

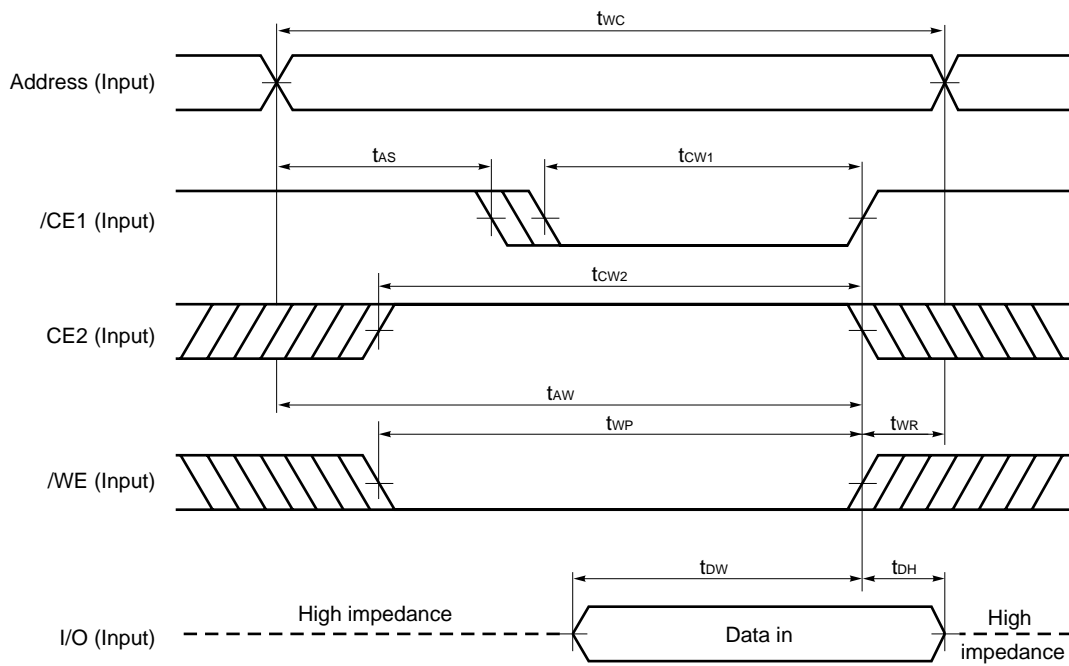
Write Cycle Timing Chart 1 (/WE Controlled)



- Cautions**
1. During address transition, at least one of pins /CE1, CE2, /WE should be inactivated.
 2. Do not input data to the I/O pins while they are in the output state.

- Remarks**
1. Write operation is done during the overlap time of a low level /CE1, /WE and a high level CE2.
 2. If /CE1 changes to low level at the same time or after the change of /WE to low level, or if CE2 changes to high level at the same time or after the change of /WE to low level, the I/O pins will remain high impedance state.
 3. When /WE is at low level, the I/O pins are always high impedance. When /WE is at high level, read operation is executed. Therefore /OE should be at high level to make the I/O pins high impedance.

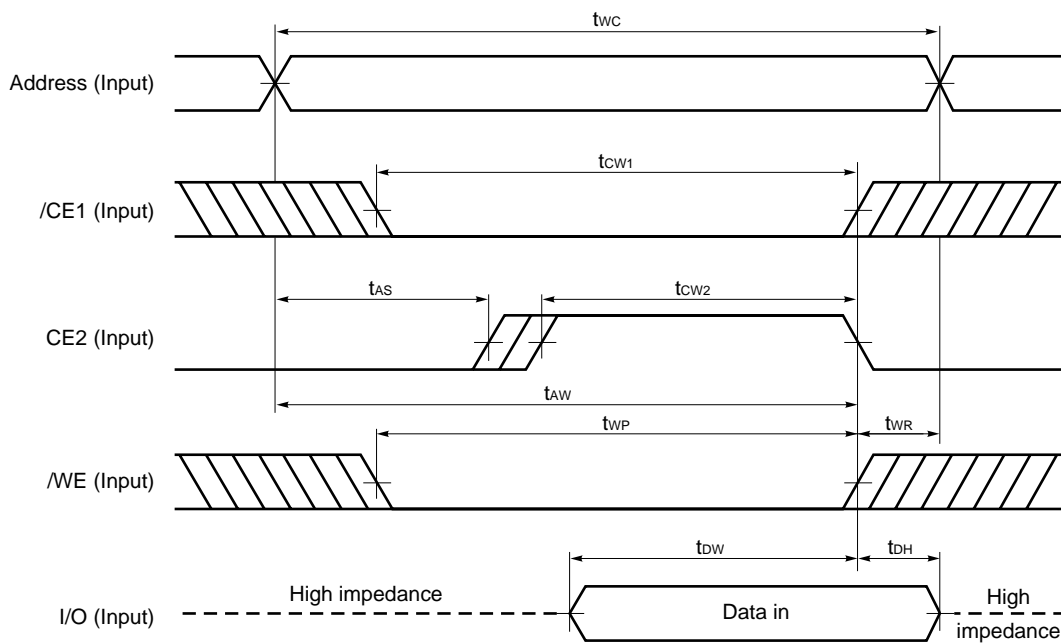
Write Cycle Timing Chart 2 (/CE1 Controlled)



- Cautions**
1. During address transition, at least one of pins $\overline{CE1}$, CE2, \overline{WE} should be inactivated.
 2. Do not input data to the I/O pins while they are in the output state.

Remark Write operation is done during the overlap time of a low level $\overline{CE1}$, \overline{WE} and a high level CE2.

Write Cycle Timing Chart 3 (CE2 Controlled)



- Cautions**
1. During address transition, at least one of pins /CE1, CE2, /WE should be inactivated.
 2. Do not input data to the I/O pins while they are in the output state.

Remark Write operation is done during the overlap time of a low level /CE1, /WE and a high level CE2.

Low V_{CC} Data Retention Characteristics (T_A = 0 to 70 °C)

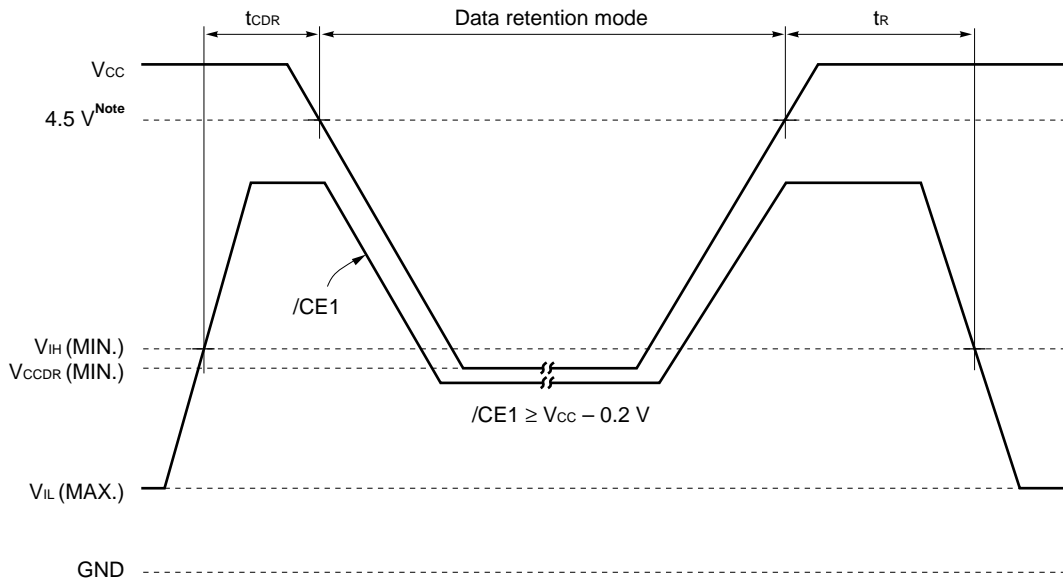
Parameter	Symbol	Test Condition	μPD431000A-xxL			μPD431000A-xxLL μPD431000A-Axx μPD431000A-Bxx			Unit
			MIN.	TYP.	MAX.	MIN.	TYP.	MAX.	
Data retention supply voltage	V _{CCDR1}	/CE1 ≥ V _{CC} – 0.2 V, CE2 ≥ V _{CC} – 0.2 V	2.0		5.5	2.0		5.5	V
	V _{CCDR2}	CE2 ≤ 0.2 V	2.0		5.5	2.0		5.5	
Data retention supply current	I _{CCDR1}	V _{CC} = 3.0 V, /CE1 ≥ V _{CC} – 0.2 V, CE2 ≥ V _{CC} – 0.2 V		1	50 ^{Note1}		0.5	10 ^{Note2}	μA
	I _{CCDR2}	V _{CC} = 3.0 V, CE2 ≤ 0.2 V		1	50 ^{Note1}		0.5	10 ^{Note2}	
Chip deselection to data retention mode	t _{CDR}		0			0			ns
Operation recovery time	t _R		5			5			ms

Notes 1. 15 μA (T_A ≤ 40 °C)

2. 3 μA (T_A ≤ 40 °C)

Data Retention Timing Chart

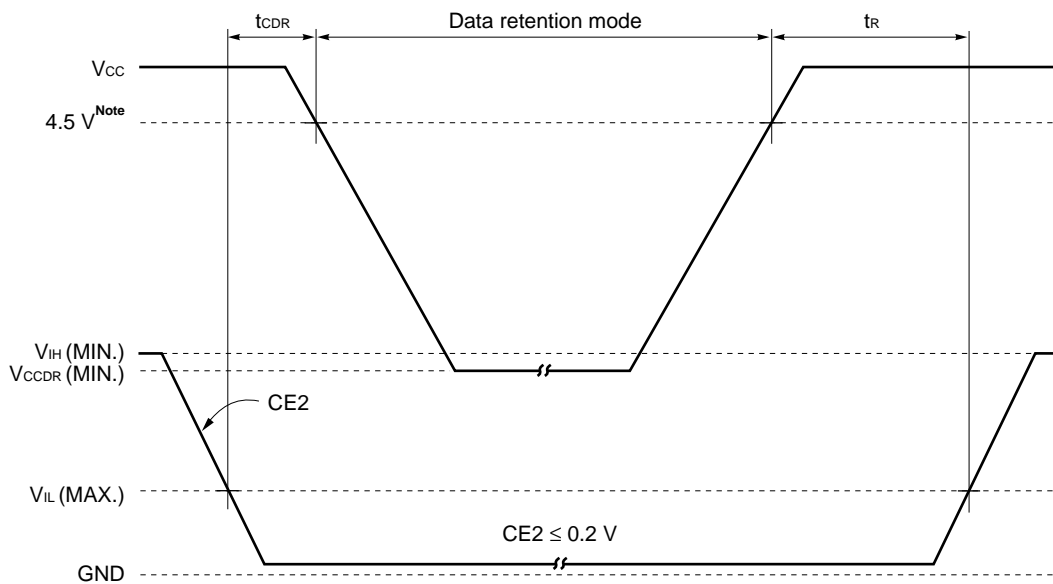
(1) /CE1 Controlled



Note A version : 3.0 V, B version : 2.7 V

Remark On the data retention mode by controlling $\overline{CE1}$, the input level of CE2 must be $CE2 \geq V_{CC} - 0.2\text{ V}$ or $CE2 \leq 0.2\text{ V}$. The other pins (Address, I/O, \overline{WE} , \overline{OE}) can be in high impedance state.

(2) CE2 Controlled

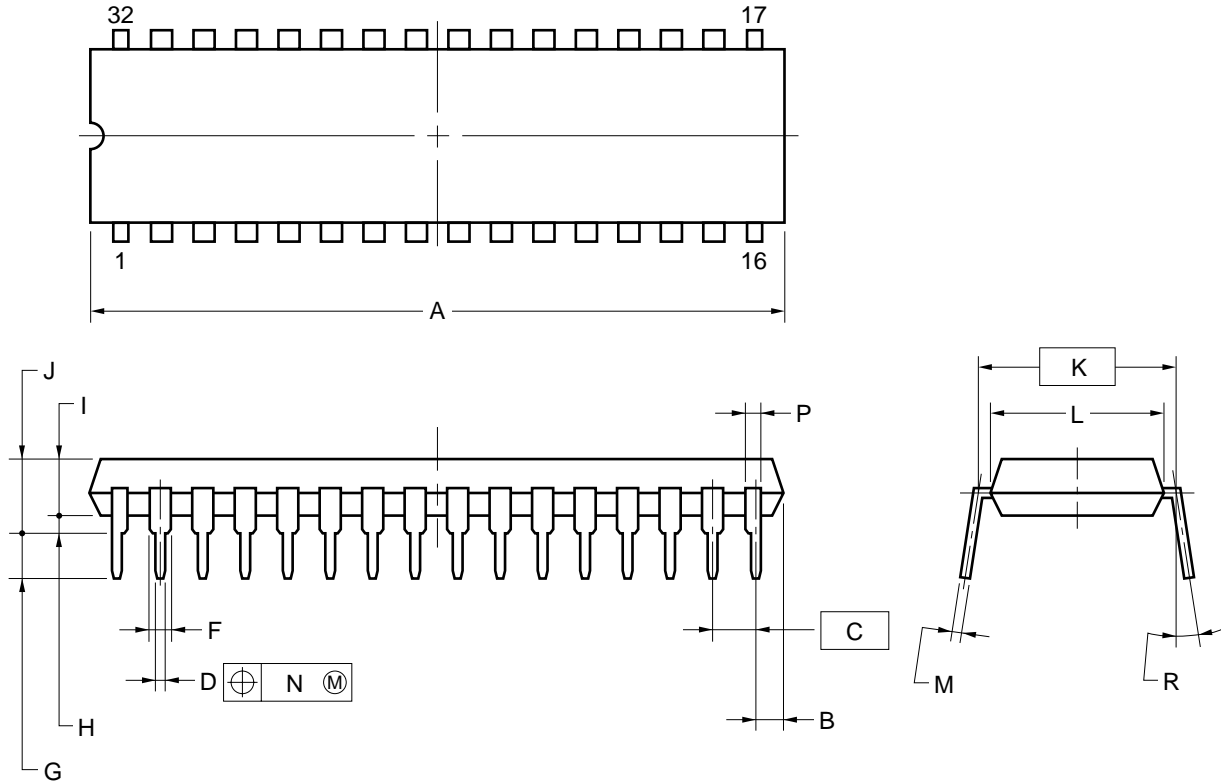


Note A version : 3.0 V, B version : 2.7 V

Remark On the data retention mode by controlling CE2, the other pins ($\overline{CE1}$, Address, I/O, \overline{WE} , \overline{OE}) can be in high impedance state.

Package Drawings

32-PIN PLASTIC DIP (15.24mm(600))



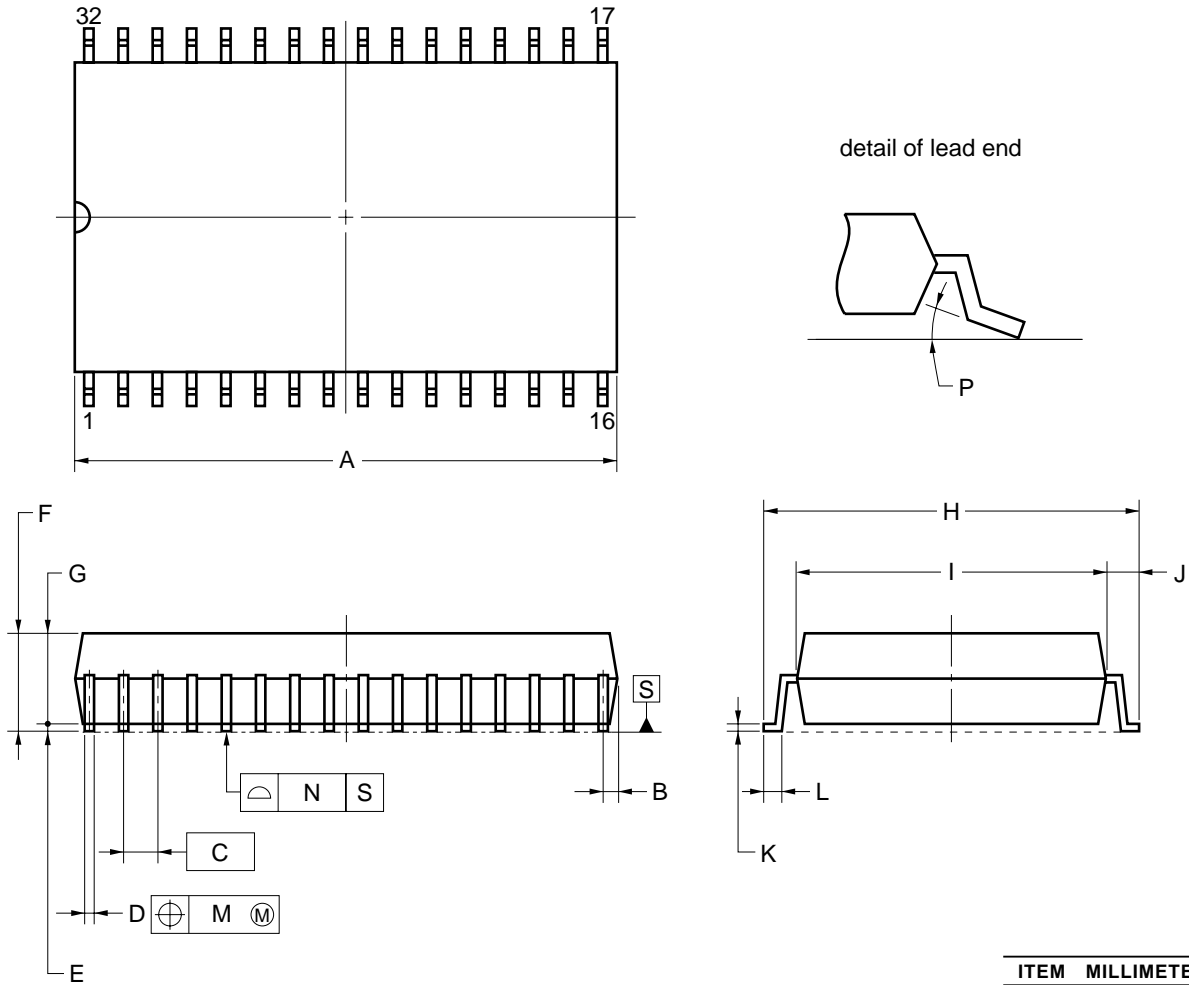
NOTES

1. Each lead centerline is located within 0.25 mm of its true position (T.P.) at maximum material condition.
2. Item "K" to center of leads when formed parallel.

ITEM	MILLIMETERS
A	40.64 MAX.
B	1.27 MAX.
C	2.54 (T.P.)
D	0.50±0.10
F	1.1 MIN.
G	3.2±0.3
H	0.51 MIN.
I	4.31 MAX.
J	5.08 MAX.
K	15.24 (T.P.)
L	13.2
M	0.25 ^{+0.10} _{-0.05}
N	0.25
P	0.9 MIN.
R	0 - 15°

P32C-100-600A-2

32-PIN PLASTIC SOP (13.34 mm (525))

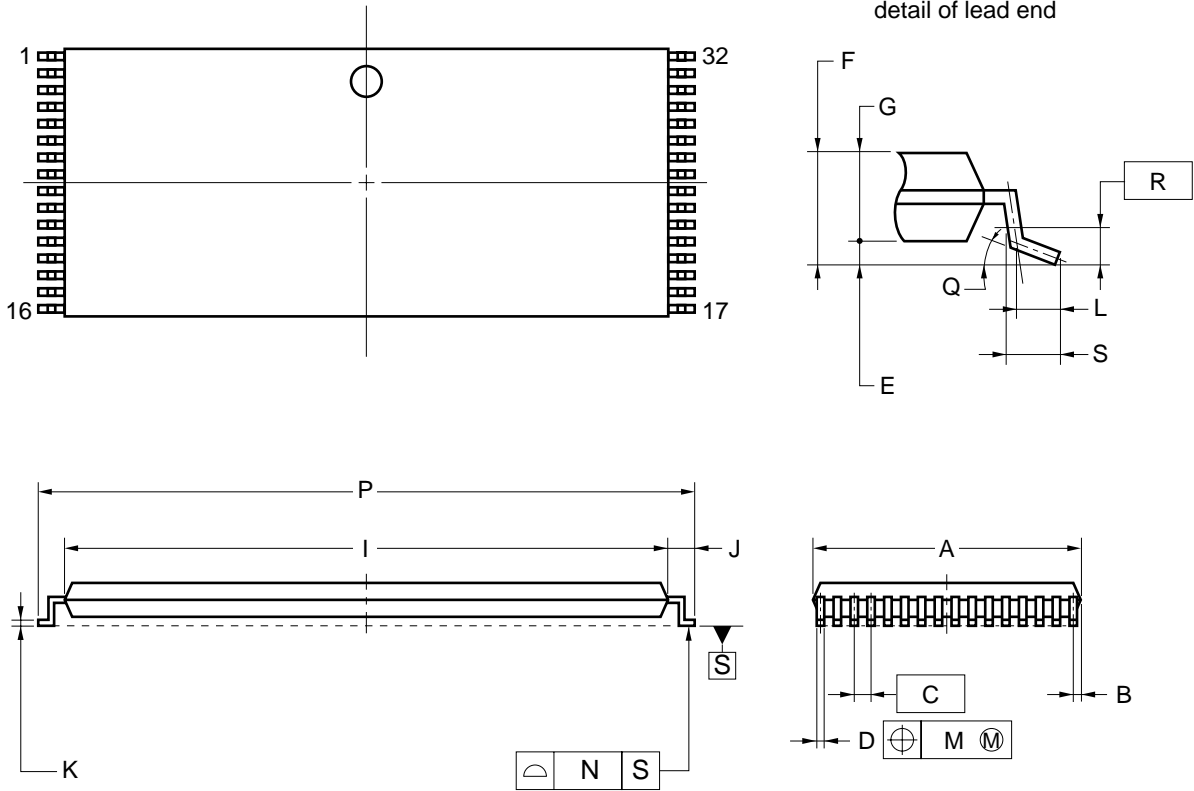


NOTE
 Each lead centerline is located within 0.12 mm of its true position (T.P.) at maximum material condition.

ITEM	MILLIMETERS
A	20.61 MAX.
B	0.78 MAX.
C	1.27 (T.P.)
D	0.40 ^{+0.10} _{-0.05}
E	0.15±0.05
F	2.95 MAX.
G	2.7
H	14.1±0.3
I	11.3
J	1.4±0.2
K	0.20 ^{+0.10} _{-0.05}
L	0.8±0.2
M	0.12
N	0.10
P	3° ^{+7°} _{-3°}

P32GW-50-525A-1

32-PIN PLASTIC TSOP(I) (8x20)



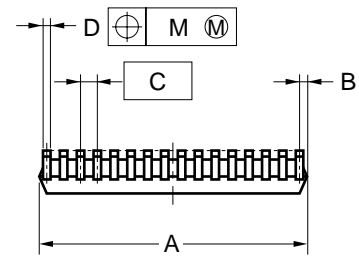
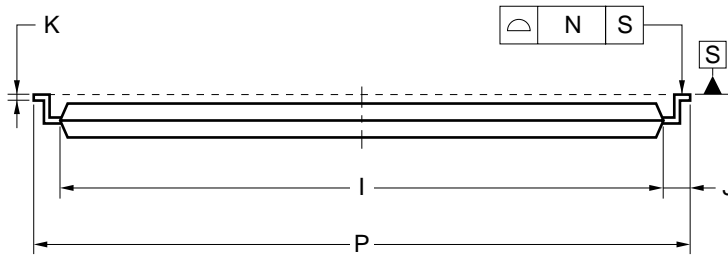
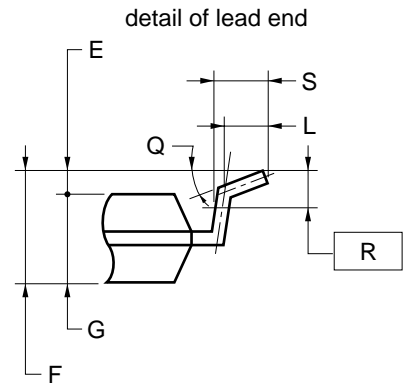
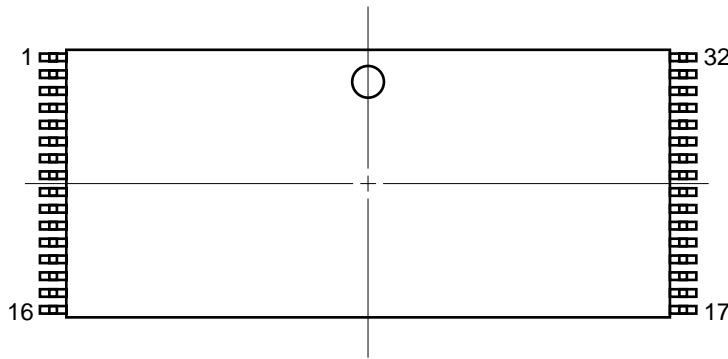
NOTES

1. Each lead centerline is located within 0.10 mm of its true position (T.P.) at maximum material condition.
2. "A" excludes mold flash. (Includes mold flash : 8.3 mm MAX.)

ITEM	MILLIMETERS
A	8.0±0.1
B	0.45 MAX.
C	0.5 (T.P.)
D	0.22±0.05
E	0.1±0.05
F	1.2 MAX.
G	0.97±0.08
I	18.4±0.1
J	0.8±0.2
K	0.145±0.05
L	0.5
M	0.10
N	0.10
P	20.0±0.2
Q	3° ^{+5°} -3°
R	0.25
S	0.60±0.15

S32GZ-50-KJH1-2

32-PIN PLASTIC TSOP(I) (8x20)



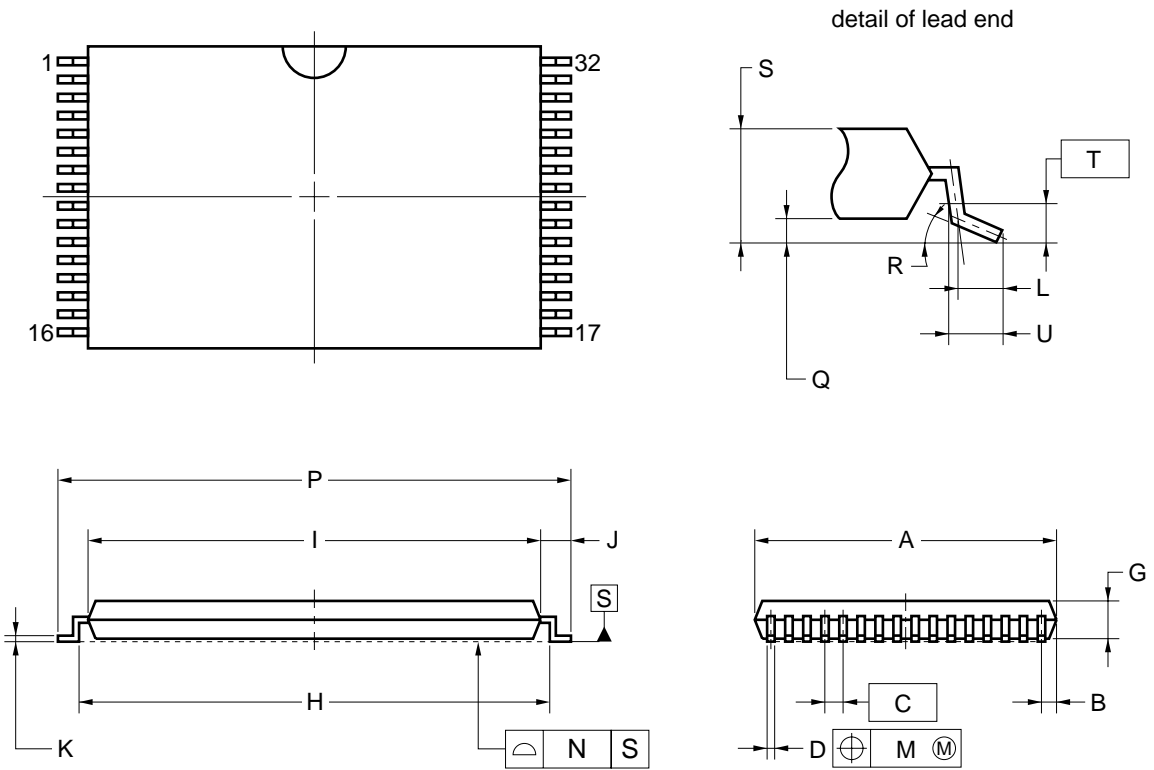
NOTES

1. Each lead centerline is located within 0.10 mm of its true position (T.P.) at maximum material condition.
2. "A" excludes mold flash. (Includes mold flash : 8.3 mm MAX.)

ITEM	MILLIMETERS
A	8.0±0.1
B	0.45 MAX.
C	0.5 (T.P.)
D	0.22±0.05
E	0.1±0.05
F	1.2 MAX.
G	0.97±0.08
I	18.4±0.1
J	0.8±0.2
K	0.145±0.05
L	0.5
M	0.10
N	0.10
P	20.0±0.2
Q	3°+5° -3°
R	0.25
S	0.60±0.15

S32GZ-50-KKH1-2

32-PIN PLASTIC TSOP(I) (8x13.4)



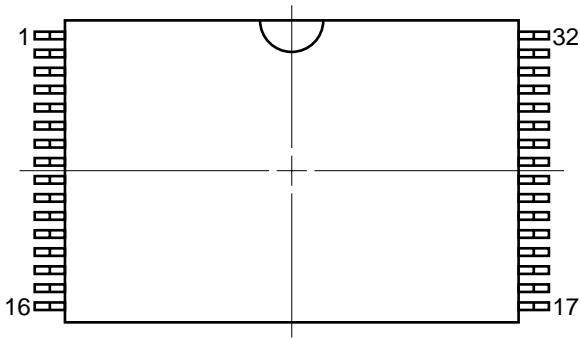
NOTES

1. Each lead centerline is located within 0.08 mm of its true position (T.P.) at maximum material condition.
2. "A" excludes mold flash. (Includes mold flash : 8.3 mm MAX.)

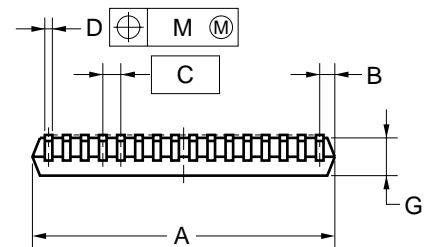
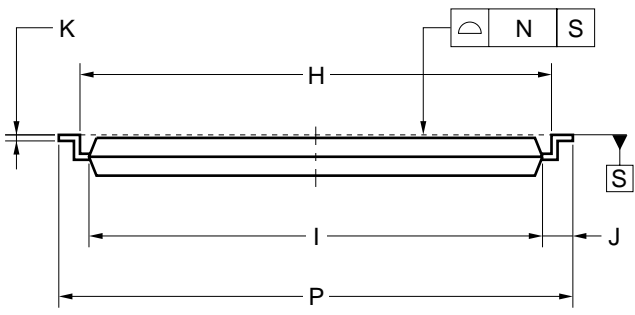
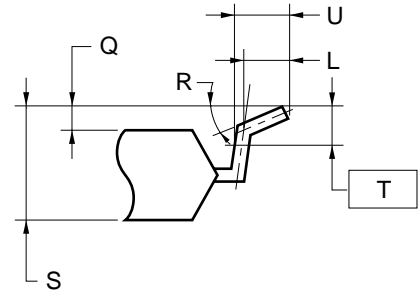
ITEM	MILLIMETERS
A	8.0±0.1
B	0.45 MAX.
C	0.5 (T.P.)
D	0.22±0.05
G	1.0±0.05
H	12.4±0.2
I	11.8±0.1
J	0.8±0.2
K	0.145 ^{+0.025} _{-0.015}
L	0.5
M	0.08
N	0.08
P	13.4±0.2
Q	0.1±0.05
R	3° ^{+5°} _{-3°}
S	1.2 MAX.
T	0.25
U	0.6±0.15

P32GU-50-9JH-2

★ 32-PIN PLASTIC TSOP(I) (8x13.4)



detail of lead end



NOTES

1. Each lead centerline is located within 0.08 mm of its true position (T.P.) at maximum material condition.
2. "A" excludes mold flash. (Includes mold flash : 8.3 mm MAX.)

ITEM	MILLIMETERS
A	8.0±0.1
B	0.45 MAX.
C	0.5 (T.P.)
D	0.22±0.05
G	1.0±0.05
H	12.4±0.2
I	11.8±0.1
J	0.8±0.2
K	0.145 ^{+0.025} _{-0.015}
L	0.5
M	0.08
N	0.08
P	13.4±0.2
Q	0.1±0.05
R	3° ^{+5°} _{-3°}
S	1.2 MAX.
T	0.25
U	0.6±0.15

P32GU-50-9KH-2

Recommended Soldering Conditions

The following conditions must be met when soldering conditions of the μPD431000A.

For more details, refer to our document “**SEMICONDUCTOR DEVICE MOUNTING TECHNOLOGY MANUAL**” (C10535E).

Please consult with our sales offices in case other soldering process is used, or in case soldering is done under different conditions.

Types of Surface Mount Device

- μPD431000AGW-xxL : 32-pin PLASTIC SOP (13.34 mm (525))
- μPD431000AGW-xxLL : 32-pin PLASTIC SOP (13.34 mm (525))
- μPD431000AGW-Axx : 32-pin PLASTIC SOP (13.34 mm (525))
- μPD431000AGW-Bxx : 32-pin PLASTIC SOP (13.34 mm (525))
- μPD431000AGZ-xxL-KJH : 32-pin PLASTIC TSOP(I) (8x20) (Normal bent)
- μPD431000AGZ-xxLL-KJH : 32-pin PLASTIC TSOP(I) (8x20) (Normal bent)
- μPD431000AGZ-xxLL-KKH : 32-pin PLASTIC TSOP(I) (8x20) (Reverse bent)
- μPD431000AGZ-Bxx-KJH : 32-pin PLASTIC TSOP(I) (8x20) (Normal bent)
- μPD431000AGZ-Bxx-KKH : 32-pin PLASTIC TSOP(I) (8x20) (Reverse bent)
- μPD431000AGU-Bxx-9JH : 32-pin PLASTIC TSOP(I) (8x13.4) (Normal bent)
- ★ μPD431000AGU-Bxx-9KH : 32-pin PLASTIC TSOP(I) (8x13.4) (Reverse bent)

Please consult with our sales offices.

Types of Through Hole Mount Device

- μPD431000ACZ-xxL: 32-pin PLASTIC DIP (15.24 mm (600))
- μPD431000ACZ-xxLL: 32-pin PLASTIC DIP (15.24 mm (600))

Soldering process	Soldering conditions
Wave soldering (Only to leads)	Solder temperature: 260 °C or below, Flow time: 10 seconds or below
Partial heating method	Pin temperature : 300 °C or below, Time: 3 seconds or below (Per one lead)

Caution Do not jet molten solder on the surface of package.

Revision History

Edition/ Date	Page		Type of revision	Location	Description (Previous edition -> This edition)
	This edition	Previous edition			
11th edition/ April 2002	Throughout	Throughout	Addition	Part number	μPD431000AGZ-B10-KJH μPD431000AGU-B10-9JH μPD431000AGU-B10-9KH
	p. 2, 6, 25, 26	p. 2, 6, 25	Addition	Package	32-pin PLASTIC TSOP(I) (8x13.4) (Reverse bent)

[MEMO]

[MEMO]

[MEMO]

NOTES FOR CMOS DEVICES**① PRECAUTION AGAINST ESD FOR SEMICONDUCTORS**

Note:

Strong electric field, when exposed to a MOS device, can cause destruction of the gate oxide and ultimately degrade the device operation. Steps must be taken to stop generation of static electricity as much as possible, and quickly dissipate it once, when it has occurred. Environmental control must be adequate. When it is dry, humidifier should be used. It is recommended to avoid using insulators that easily build static electricity. Semiconductor devices must be stored and transported in an anti-static container, static shielding bag or conductive material. All test and measurement tools including work bench and floor should be grounded. The operator should be grounded using wrist strap. Semiconductor devices must not be touched with bare hands. Similar precautions need to be taken for PW boards with semiconductor devices on it.

② HANDLING OF UNUSED INPUT PINS FOR CMOS

Note:

No connection for CMOS device inputs can be cause of malfunction. If no connection is provided to the input pins, it is possible that an internal input level may be generated due to noise, etc., hence causing malfunction. CMOS devices behave differently than Bipolar or NMOS devices. Input levels of CMOS devices must be fixed high or low by using a pull-up or pull-down circuitry. Each unused pin should be connected to V_{DD} or GND with a resistor, if it is considered to have a possibility of being an output pin. All handling related to the unused pins must be judged device by device and related specifications governing the devices.

③ STATUS BEFORE INITIALIZATION OF MOS DEVICES

Note:

Power-on does not necessarily define initial status of MOS device. Production process of MOS does not define the initial operation status of the device. Immediately after the power source is turned ON, the devices with reset function have not yet been initialized. Hence, power-on does not guarantee out-pin levels, I/O settings or contents of registers. Device is not initialized until the reset signal is received. Reset operation must be executed immediately after power-on for devices having reset function.

- **The information in this document is current as of April, 2002. The information is subject to change without notice. For actual design-in, refer to the latest publications of NEC's data sheets or data books, etc., for the most up-to-date specifications of NEC semiconductor products. Not all products and/or types are available in every country. Please check with an NEC sales representative for availability and additional information.**
 - No part of this document may be copied or reproduced in any form or by any means without prior written consent of NEC. NEC assumes no responsibility for any errors that may appear in this document.
 - NEC does not assume any liability for infringement of patents, copyrights or other intellectual property rights of third parties by or arising from the use of NEC semiconductor products listed in this document or any other liability arising from the use of such products. No license, express, implied or otherwise, is granted under any patents, copyrights or other intellectual property rights of NEC or others.
 - Descriptions of circuits, software and other related information in this document are provided for illustrative purposes in semiconductor product operation and application examples. The incorporation of these circuits, software and information in the design of customer's equipment shall be done under the full responsibility of customer. NEC assumes no responsibility for any losses incurred by customers or third parties arising from the use of these circuits, software and information.
 - While NEC endeavours to enhance the quality, reliability and safety of NEC semiconductor products, customers agree and acknowledge that the possibility of defects thereof cannot be eliminated entirely. To minimize risks of damage to property or injury (including death) to persons arising from defects in NEC semiconductor products, customers must incorporate sufficient safety measures in their design, such as redundancy, fire-containment, and anti-failure features.
 - NEC semiconductor products are classified into the following three quality grades:
"Standard", "Special" and "Specific". The "Specific" quality grade applies only to semiconductor products developed based on a customer-designated "quality assurance program" for a specific application. The recommended applications of a semiconductor product depend on its quality grade, as indicated below. Customers must check the quality grade of each semiconductor product before using it in a particular application.
"Standard": Computers, office equipment, communications equipment, test and measurement equipment, audio and visual equipment, home electronic appliances, machine tools, personal electronic equipment and industrial robots
"Special": Transportation equipment (automobiles, trains, ships, etc.), traffic control systems, anti-disaster systems, anti-crime systems, safety equipment and medical equipment (not specifically designed for life support)
"Specific": Aircraft, aerospace equipment, submersible repeaters, nuclear reactor control systems, life support systems and medical equipment for life support, etc.
- The quality grade of NEC semiconductor products is "Standard" unless otherwise expressly specified in NEC's data sheets or data books, etc. If customers wish to use NEC semiconductor products in applications not intended by NEC, they must contact an NEC sales representative in advance to determine NEC's willingness to support a given application.
- (Note)
- (1) "NEC" as used in this statement means NEC Corporation and also includes its majority-owned subsidiaries.
 - (2) "NEC semiconductor products" means any semiconductor product developed or manufactured by or for NEC (as defined above).