

RJ-45

100 BASE-TX 4 Ports

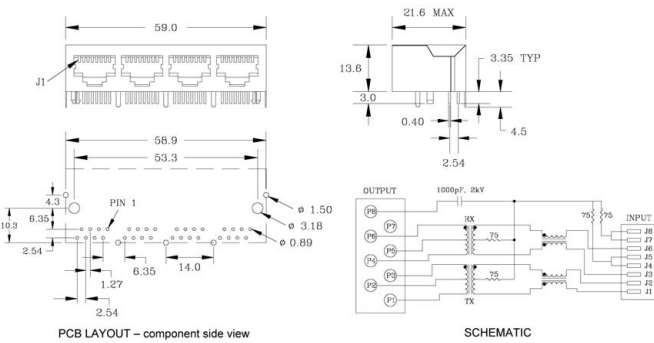
8320



- RJ-45 connector with integrated magnetics/resistors/high voltage capacitor
- Designed for 100 base transmission over UTP-5 cable
- Reduced EMI radiation and improved EMI performance



Mechanical and Schematic (All dimensions in millimetres)



ELECTRICAL SPECIFICATION @ 25°C

| Turns Ratio ±3% | DCR Ω MAX | C _{int} ¹ pF MAX | Inductance ² μH MIN | L ₁ ³ μH MAX | Return Loss dB MIN | Insertion Loss dB MAX | Crosstalk dB MIN | CCMA dB MIN | Hipot ⁴ VAC |
|----------------------------|-------------------|---|-----------------------------------|---------------------------------------|-----------------------|--------------------------|---------------------|----------------|-------------------------------------|
| (P6-P4-J3) & (P3-P1-J2-J1) | (J6-J3) & (J2-J1) | (P4-J3) & (P1-J1) | (P6-P4) & (P3-P1) | (P6-P4 & J6+J3) & (P3-P1 & J2+J1) | 1.30 MHz | 30.80 MHz | 0.1-100 MHz | 1-100MHz | (J1-J2 to P1-P3) & (J3-J6 to P4-P6) |
| ICT:ICT | 1.2 | 30 | 350 | 0.3 | -16 | -12 | -1.1 | -35 | 1500 |

1. Interwinding Capacitance @ 1.0 MHz, 0.1V
 2. Inductance @ 100kHz, 0.1V, 8mA DC Bias
 3. Leakage Inductance @ 1.0MHz, 0.1V
 4. Hipot: 1.0mA, 1sec

