



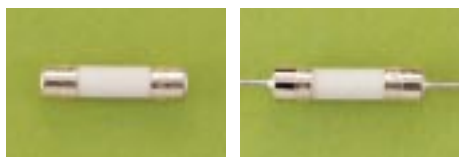
defining a degree of excellence

5HFD0598

Type 5HF / 5HF

5 x 20mm Ceramic Tube

Quick-acting Fuse Series (High-Breaking Capacity)



Electrical Characteristics (IEC-127-2 STANDARD SHEET 1)

| Rated Current | 1.5 In | | 2.1 In | | 2.75 In | | 4 In | | 10 In |
|----------------|--------|------|--------|-----|---------|-----|------|-----|-------|
| | MIN | MAX | MIN | MAX | MIN | MAX | MIN | MAX | MAX |
| 100mA to 3.15A | 1 | 30 | 10 | 2 | 3 | 300 | 20 | | |
| 4A and above | 1 | 30 | 10 | 3 | 3 | 300 | 20 | | |
| | hr. | min. | ms | sec | ms | ms | ms | | |

Approvals



| Safety Agency Approvals | Amp range / Volt @ I.R. ability |
|---|---------------------------------|
| Certificate No. 9351184 & 9431177 Licence No. 85046 Certificate No. EI263 | 1A - 6.3A / 250V AC@ 1,500A |
| Recognized File No. E20624 Acceptance File No. LR39772 | 100mA -10A / 250V AC@ 1,500A |
| Approval File No. 32-1790, 32-1818 | 1A - 5A / 250V AC@ 1,500A |

Operating Temperature

-55°C to +125°C

Physical Specification

Materials

Ceramic body / Nickel Plated Brass Caps

Lead wire:

Tin-lead plated Copper,

Diameter 0.032", 6.3A and less

Diameter 0.040", 8A and above

Marking

On fuse:

"bel", "F", "Current Rating", "H", "250V",
and "Appropriate Safety Logos"

On label:

Above info plus "5HF" or "5HFP", "CE" and
interrupting rating

Packaging

1. In bulk:

5HF - 1,000 pcs per box; 5HFP - 500 pcs per box

2. On Axial Tape & Reel:

1,500 pcs per reel

3. Tape & Reel specification:

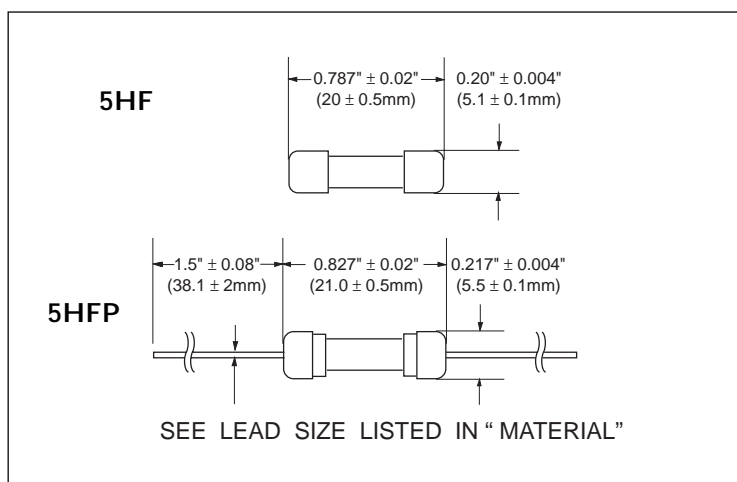
per EIA-296-E & IEC 286-1

@ 10mm Pitch and 63.5mm inside Tape Spacing

| Catalog Number | Ampere Rating | Typical Cold Resistance (ohm) | Volt-drop @100% In (Volt) max. | Melting I ² T < 10 mSec (A ² Sec) | Melting I ² T @10 In (A ² Sec) | Maximum Power Dissipation (W) |
|----------------|---------------|-------------------------------|--------------------------------|---|--|-------------------------------|
| 5HF (P) 100 | 100mA | 3.85 | 0.56 | 0.003 | 0.002 | 0.30 |
| 5HF (P) 125 | 125mA | 2.78 | 0.54 | 0.005 | 0.004 | 0.36 |
| 5HF (P) 160 | 160mA | 2.01 | 0.52 | 0.009 | 0.008 | 0.43 |
| 5HF (P) 200 | 200mA | 1.45 | 0.50 | 0.016 | 0.014 | 0.52 |
| 5HF (P) 250 | 250mA | 1.05 | 0.48 | 0.028 | 0.026 | 0.63 |
| 5HF (P) 315 | 315mA | 0.76 | 0.46 | 0.051 | 0.046 | 0.76 |
| 5HF (P) 400 | 400mA | 0.55 | 0.44 | 0.091 | 0.084 | 0.92 |
| 5HF (P) 500 | 500mA | 0.40 | 0.43 | 0.16 | 0.15 | 1.11 |
| 5HF (P) 630 | 630mA | 0.29 | 0.41 | 0.29 | 0.27 | 1.35 |
| 5HF (P) 800 | 800mA | 0.21 | 0.20 | 0.36 | 0.35 | 0.58 |
| 5HF (P) 1 | 1A | 0.15 | 0.18 | 0.65 | 0.63 | 0.69 |
| 5HF (P) 1.25 | 1.25A | 0.11 | 0.17 | 1.17 | 1.15 | 0.81 |
| 5HF (P) 1.6 | 1.6A | 0.08 | 0.16 | 2.10 | 2.07 | 0.96 |
| 5HF (P) 2 | 2A | 0.06 | 0.15 | 3.8 | 3.7 | 1.1 |
| 5HF (P) 2.5 | 2.5A | 0.04 | 0.14 | 6.8 | 6.8 | 1.3 |
| 5HF (P) 3.15 | 3.15A | 0.031 | 0.14 | 12.2 | 12.3 | 1.6 |
| 5HF (P) 4 | 4A | 0.023 | 0.13 | 22 | 22 | 1.9 |
| 5HF (P) 5 | 5A | 0.016 | 0.12 | 39 | 40 | 2.2 |
| 5HF (P) 6.3 | 6.3A | 0.012 | 0.113 | 70 | 73 | 2.7 |
| 5HF (P) 8 | 8A | 0.009 | 0.106 | 126 | 131 | 3.1 |
| 5HF (P) 10 | 10A | 0.006 | 0.100 | 227 | 238 | 3.7 |

Consult manufacturer for other ratings

Mechanical Dimensions



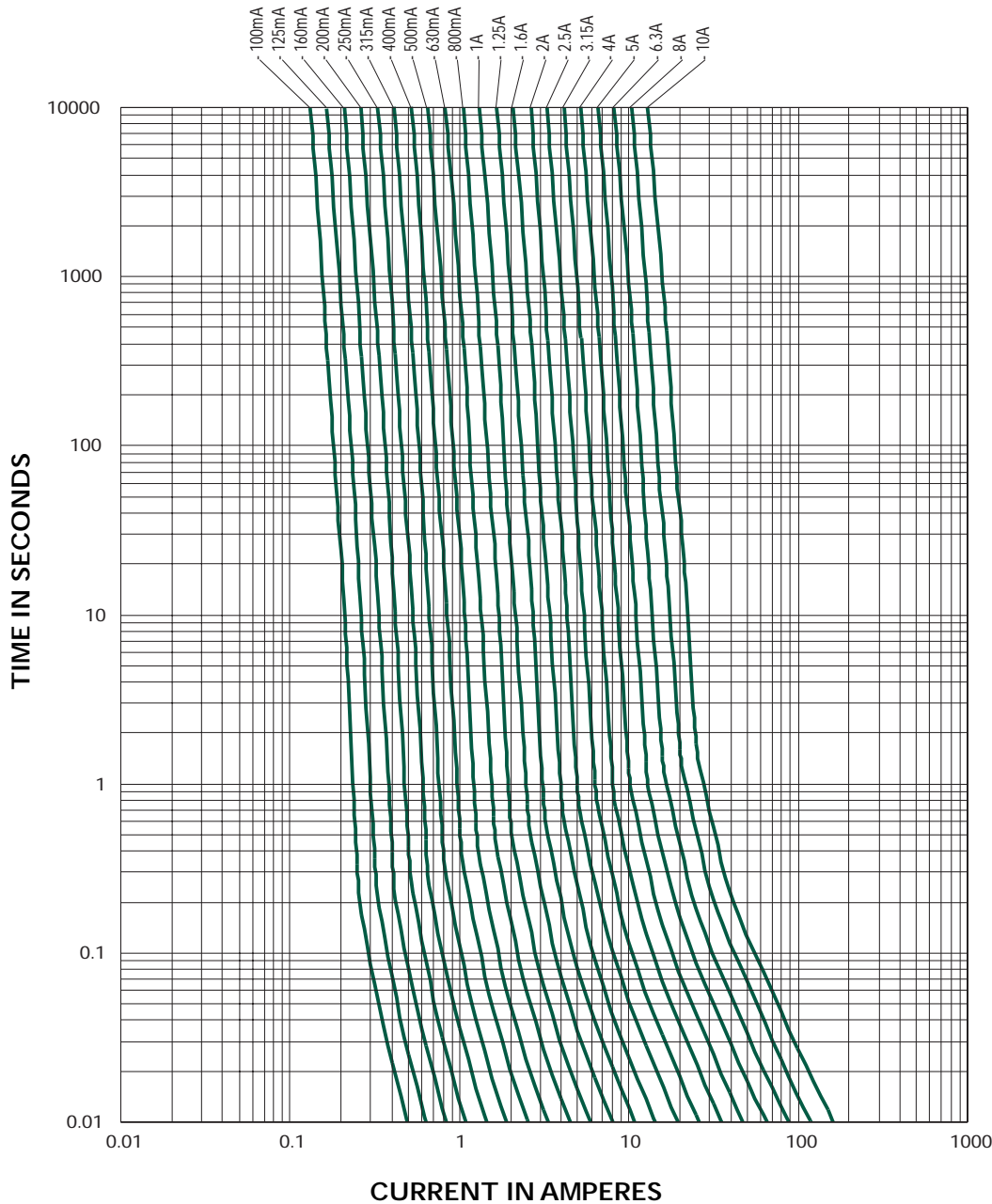
Specifications subject to change without notice

Type 5HF / 5HF
Quick-acting Fuse Series (High-Breaking Capacity)

5 x 20mm Ceramic Tube

5HFC0600

5HF / 5HFP - TIME CURRENT CHARACTERISTIC CURVE



Specifications subject to change without notice

NOTE - see important information under "User Guide" on P.08

Corporate Office

Bel Fuse Inc.
 198 Van Vorst Street, Jersey City, NJ 07302
 Tel: 201-432-0463
 FaxFax: 201-432-9542
 E-Mail: belfuse@belfuse.com
 Internet: <http://www.belfuse.com>

Far East Office

Bel Fuse Ltd.
 8F/8 Luk Hop Street
 San Po Kong
 Kowloon, Hong Kong
 Tel: 852-2328-5515
 Fax: 852-2352-3706

European Office

Bel Fuse Europe Ltd.
 Preston Technology Management Centre
 Marsh Lane, Preston PR1 8U
 Lancashire, U.K
 Tel: 44-1772-556601
 Fax: 44-1772-888366