

## R61505U

262,144-color, 240RGB x 320 dot graphics liquid crystal controller driver for Amorphous-Silicon TFT Panel

REJxxxxxxx-xxxx

Rev.1.21

April 9, 2007

Description .....	6
Features .....	7
<i>Difference between R61505 and R61505U</i> .....	10
Block Diagram .....	11
Block Function .....	12
1. <i>System Interface</i> .....	12
2. <i>External Display Interface (RGB, VSYNC interfaces)</i> .....	13
3. <i>Address Counter (AC)</i> .....	13
4. <i>Graphics RAM (GRAM)</i> .....	14
5. <i>Grayscale Voltage Generating Circuit</i> .....	14
6. <i>Liquid crystal drive power supply circuit</i> .....	14
7. <i>Timing Generator</i> .....	14
8. <i>Oscillator (OSC)</i> .....	14
9. <i>Liquid crystal driver Circuit</i> .....	14
10. <i>Internal logic power supply regulator</i> .....	14
Pin Function .....	15
PAD arrangement.....	22
PAD coordinates .....	24
BUMP arrangement .....	39
Connection example.....	40
GRAM address map .....	41
Instruction .....	43
<i>Outline</i> .....	43
<i>Instruction Data Format</i> .....	43
<i>Index (IR)</i> .....	44
<i>Display control</i> .....	44
<i>Device code read (R00h)</i> .....	44

Driver Output Control (R01h).....	45
LCD Driving Wave Control (R02h).....	45
Entry Mode (R03h).....	46
Resizing Control (R04h).....	49
Display Control 1 (R07h).....	50
Display Control 2 (R08h).....	52
Display Control 3 (R09h).....	53
Display Control 4 (R0Ah).....	55
External Display Interface Control 1 (R0Ch).....	55
Frame Marker Position (R0Dh).....	57
VCOM Low Power Control (R0Eh).....	58
External Display Interface Control 2 (R0Fh).....	59
<b>Power control</b> .....	<b>60</b>
Power Control 1 (R10h).....	60
Power Control 2 (R11h).....	62
Power Control 3 (R12h).....	64
Power Control 4 (R13h).....	66
Power Control 5 (R17h).....	66
Power Control 6 (R19h).....	67
<b>RAM access instruction</b> .....	<b>68</b>
RAM Address Set (Horizontal Address) (R20h) RAM Address Set (Vertical Address) (R21h).....	68
Write Data to GRAM (R22h).....	69
Read Data from GRAM (R22h).....	72
<b>NVM(NON-VOLATILE MEMORY) write control instruction</b> .....	<b>73</b>
NVM read data (R28h), VCOM High Voltage (R29h, R2Ah).....	73
<b>γControl</b> .....	<b>76</b>
γ Control 1 ~ 14 (R30h to R3Dh).....	76
<b>Window address control instruction</b> .....	<b>78</b>
Window Horizontal RAM Address Start/End (R50h/ R51h).....	78
Window Vertical RAM Address Start/End (R52h/R53h).....	78
<b>Base image display control instruction</b> .....	<b>79</b>
Driver Output Control (R60h).....	79
Base Image Display Control (R61h).....	79
Vertical Scroll Control (R6Ah).....	79
<b>Partial display control instruction</b> .....	<b>82</b>
Partial Image 1: Display Position (R80h), RAM Address (Start/End Line Address) (R81h/R82h).....	82
Partial Image 2: Display Position (R83h), RAM Address (Start/End Line Address) (R84h/R85h).....	82
<b>Panel interface control instruction</b> .....	<b>83</b>
Panel interface control 1(R90h).....	83
Panel interface control 2(R92h).....	85
Panel interface control 3(R93h).....	86
Panel interface control 4(R95h).....	87
Panel interface control 5(R97h).....	89
Panel interface control 6(R98h).....	89
<b>NVM(NON-VOLATILE MEMORY) control</b> .....	<b>90</b>
NVM access control 1 (RA0h), NVM access control 2 (RA1h).....	90
Calibration control (RA4h).....	91
<b>Setting disabled instruction (Inhibition)</b> .....	<b>92</b>

## R61505U

---

Instruction List .....	93
Reset Function.....	94
Basic mode operation of the R61505U .....	96
Interface and data format .....	97
System Interface.....	100
80-system 18-bit Bus Interface.....	101
80-system 16-bit Bus Interface.....	102
Data Transfer Synchronization in 16-bit Bus Interface operation.....	104
80-system 9-bit Bus Interface.....	105
Data Transfer Synchronization in 9-bit Bus Interface operation.....	106
80-system 8-bit Bus Interface.....	107
Data Transfer Synchronization in 8-bit Bus Interface operation.....	109
Serial Interface.....	110
VSYNC Interface .....	113
Notes to VSYNC Interface operation.....	115
FMARK Interface .....	117
FMP setting example.....	120
External Display Interface.....	121
RGB Interface .....	122
Polarities of VSYNC, HSYNC, ENABLE, and DOTCLK Signals.....	122
RGB Interface Timing.....	123
16-/18-bit RGB Interface Timing .....	123
6-bit RGB Interface Timing.....	124
RAM access via system interface in RGB interface operation.....	125
6-bit RGB interface.....	127
Data Transfer Synchronization in 6-bit Bus Interface operation.....	128
16-bit RGB interface.....	129
18-bit RGB interface.....	130
Notes to external display interface operation.....	131
RAM Address and Display Position on the Panel .....	133
Restrictions in setting display control instruction.....	134
Instruction setting example.....	136
Resizing function .....	138
Resizing setting.....	139
Example of 1/2 resizing .....	140
Resizing instruction .....	140
Notes to Resizing function.....	141
High-speed RAM Write Function.....	142

## R61505U

---

<i>Notes to high-speed RAM write function</i> .....	143
<i>High-speed RAM data write in a window address area</i> .....	144
Window Address Function .....	145
Scan Mode Setting .....	146
8-color Display Mode .....	147
Line Inversion AC Drive .....	148
<i>Alternating Timing</i> .....	149
Frame-Frequency Adjustment Function .....	150
<i>Relationship between liquid crystal drive duty and frame frequency</i> .....	150
Partial Display Function .....	151
Liquid crystal panel interface timing .....	152
<i>Internal clock operation</i> .....	152
<i>RGB interface operation</i> .....	153
Oscillator .....	154
$\gamma$ Correction function .....	155
<i><math>\gamma</math>Correction registers</i> .....	155
<i><math>\gamma</math>Correction register settings and <math>\gamma</math>curve relationship</i> .....	157
Power-supply Generating Circuit .....	158
<i>Power supply circuit connection example 1 (VCII = VCIOUT)</i> .....	158
<i>Power supply circuit connection example 2 (VCII = VCI direct input)</i> .....	159
Specifications of Power-supply Circuit External Elements.....	160
Voltage Setting Pattern Diagram .....	161
<i>Liquid crystal application voltage waveform and electrical potential</i> .....	162
VCOMH voltage adjustment sequence.....	163
NVM control sequence .....	165
<i>NVM Write In Sequence</i> .....	166
<i>NVM Read Out Sequence</i> .....	167
Power supply Instruction Setting .....	169
Notes to Power Supply ON sequence .....	170
Instruction setting.....	171
<i>Display ON/OFF sequences</i> .....	171

## R61505U

---

<i>Sleep mode SET/EXIT sequences</i> .....	172
<i>Deep standby mode IN/EXIT sequences</i> .....	173
<i>8-color mode setting</i> .....	176
<i>Partial display setting</i> .....	176
<b>Absolute Maximum Ratings</b> .....	177
<b>Electrical Characteristics</b> .....	178
<i>DC characteristics (VCC= 2.50V~3.30V, IOVCC=1.65V~3.30V, Ta=-40C~+85C See note 1)</i> .....	178
<i>Step-Up Circuit Characteristics</i> .....	180
<i>Internal Reference Voltage (Condition: VCC= 2.50V~3.30V, Ta=25 °C)</i> .....	180
<b>AC Characteristics</b> .....	181
1. <i>Clock Characteristics</i> .....	181
2. <i>80-System Bus Interface Timing Characteristics (18-/ 16- bit interface)</i> .....	181
3. <i>80-System Bus Interface Timing Characteristics (9-/ 8- bit interface)</i> .....	183
4. <i>Clock-synchronized Serial Interface Timing Characteristics</i> .....	184
5. <i>Reset Timing Characteristics (IOVCC=1.65~3.30V)</i> .....	184
6. <i>RGB Interface Timing Characteristics</i> .....	185
7. <i>LCD driver Output Characteristics</i> .....	186
<i>Notes on Electrical Characteristics</i> .....	187

## R61505U

---

### Description

The R61505U is a single-chip liquid crystal controller driver LSI for a-Si TFT panel, comprising RAM for a maximum 240 RGB x 320 dot graphics display, source driver, gate driver and power supply circuit. For efficient data transfer, the R61505U supports high-speed interface via 8-/9-/16-/18-bit ports as system interface to the microcomputer and high-speed RAM write function. The R61505U supports RGB interface (VSYNC, HSYNC, DOTCLK, ENABLE, DB17-0).

The power supply circuit incorporates step-up circuit and voltage follower circuit to generate TFT liquid crystal panel drive voltages.

The R61505U's power management functions such as 8-color display and deep standby and so on make this LSI an ideal driver for the medium or small sized portable products with color display systems such as digital cellular phones or small PDAs, where long battery life is a major concern.

**Features**

- A single-chip controller driver incorporating a gate circuit and a power supply circuit for a maximum 240RGB x 320dots graphics display on amorphous TFT panel in 262k colors
- System interface
  - High-speed interfaces via 8-, 9-, 16-, 18-bit parallel ports
  - Clock synchronous serial interface
- Moving picture display interface
  - 6-, 16-, 18-bit RGB interface (VSYNC, HSYNC, DOTCLK, ENABLE, DB17-0)
  - VSYNC interface (System interface + VSYNC)
  - FMARK interface (System interface + FMARK)
- High-speed RAM write function
- Window address function to specify a rectangular area in the internal RAM to write data
- Write data within a rectangular area in the internal RAM via moving picture interface
- Reduce data transfer by specifying the area in the RAM to rewrite data
- Enable displaying the data in the still picture RAM area with a moving picture simultaneously
- Resizing function (x 1/2, x 1/4)
- Abundant color display and drawing functions
  - Programmable  $\gamma$ -correction function for 262k-color display
  - Partial display function
- Low -power consumption architecture (allowing direct input of interface I/O power supply)
  - Deep standby function
  - 8-color display function
  - Input power supply voltages:  $VCC = 2.5V \sim 3.3V$  (logic regulator power supply)  
 $IOVCC = 1.65V \sim 3.3V$  (interface I/O power supply)  
 $VCI = 2.5V \sim 3.3V$  (liquid crystal analog circuit power supply)
- Incorporates a liquid crystal drive power supply circuit
  - Source driver liquid crystal drive/VCOM power supply:  $DDVDH-GND = 4.5V \sim 6.0V$   
 $VCL-GND = -1.9V \sim -3.0V$   
 $VCI-VCL \leq 6.0V$
  - Gate drive power supply:  $VGH-GND = 10.0V \sim 20.0V$   
 $VGL-GND = -4.5V \sim -13.5V$   
 $VGH-VGL \leq 28.0V$
  - VCOM drive (VCOM power supply):  $VCOMH = 3.0V \sim (DDVDH-0.5)V$   
 $VCOML = (VCL+0.5)V \sim 0V$   
 $VCOMH-VCOML$  amplitude = 6.0V (max.)
- Liquid crystal power supply startup sequencer
- TFT storage capacitance: Cst only (common VCOM formula)
- 172,800-byte internal RAM
- Internal 720-channel source driver and 320-channel gate driver
- Single-chip solution for COG module with the arrangement of gate circuits on both sides of the glass substrate
- Internal NVM: User identification code, 4 bits, VCOM level adjustment, 5 bits x 2 sets

## R61505U

---

- Internal reference voltage: to generate VREG1OUT (VCIR)

- **Product Numbers**

The R61505U has two variations of frequencies enabling users to choose whichever suitable for display system.

Product Number	RC Oscillation Frequency
R61505U0	376KHz
R61505U1	600KHz



## R61505U

### • Power supply specifications

Table 1

No.	Item	R61505U	
1	TFT data lines	720	
2	TFT gate lines	320	
3	TFT display storage capacitance	Cst only (Common VCOM formula)	
4	Liquid crystal drive output	S1~S720	V0 ~ V31 grayscales
		G1~320	VGH-VGL
		VCOM	Change VCOMH-VCOML amplitude with electronic volume Change VCOMH with either electronic volume or from VCOMR
5	Input voltage	IOVCC (interface voltage)	1.65V ~ 3.30V Power supply to IM0/ID, IM1-3, RESET*, DB17-0, RD*, SDI, SDO, WR/SCL, RS, CS*, VSYNC, HSYNC, DOTCLK, ENABLE, FMARK Connect to VCC and VCI on the FPC when the electrical potentials are the same.
		VCC (logic regulator power supply)	2.50V ~ 3.30V Connect to IOVCC and VCI on the FPC when the electrical potentials are the same.
		VCI (liquid crystal drive power supply voltage)	2.50V ~ 3.30V Connect to IOVCC and VCC on the FPC when the electrical potentials are the same.
		VPP (NVM power supply)	VPP1: 9.0 ± 0.1V
			VPP2: 7.5 ± 0.1V
VPP3A/ VPP3B: GND			
6	Liquid crystal drive voltages	DDVDH	4.5V ~ 6.0V
		VGH	10.0V ~ 20.0V
		VGL	-4.5V ~ -13.5V
		VGH-VGL	Max. 28.0V
		VCL	-1.9V ~ -3.0V
		VCI-VCL	Max. 6.0V
6	Internal step-up circuits	VLOUT1 (DDVDH)	VCI1 x 2, x 3
		VLOUT2 (VGH)	VCI1 x 6, x 7, x 8
		VLOUT3 (VGL)	VCI1 x -3, x -4, x -5
		VCL	VCI1 x -1

## R61505U

---

### Difference between R61505 and R61505U

**Table 2 R61505**

BT[2:0]	DDVDH	VCL	VGH	VGL	Capacitor connection pins
3'h0	VCI1 x 2 [x 2]	-VCI1 [x -1]	<b>DDVDH x 4</b> [x 8]	-(VCI1+DDVDH x 2) [x -5]	VLOUT1, VLOUT2, VLOUT3, VCL, C11±, C12±, C13±, C21 ±, C22±, C23±

**Table 3 R61505U**

BT[2:0]	DDVDH	VCL	VGH	VGL	Capacitor connection pins
3'h0	VCI1 x 2 [x 2]	-VCI1 [x -1]	<b>DDVDH x 3</b> [x 6]	-(VCI1+DDVDH x 2) [x -5]	See "Specifications of Power- supply Circuit External Elements". C23± may be omitted.

**Table 4 VCOM amplitude**

	R61505	R61505U
VCOM amplitude (Max.)	VREG1OUT x 1.0	VREG1OUT x 1.24

**Table 5 Oscillator**

	R61505	R61505U
RC Oscillation	External resistor	Internal resistor

Block Diagram

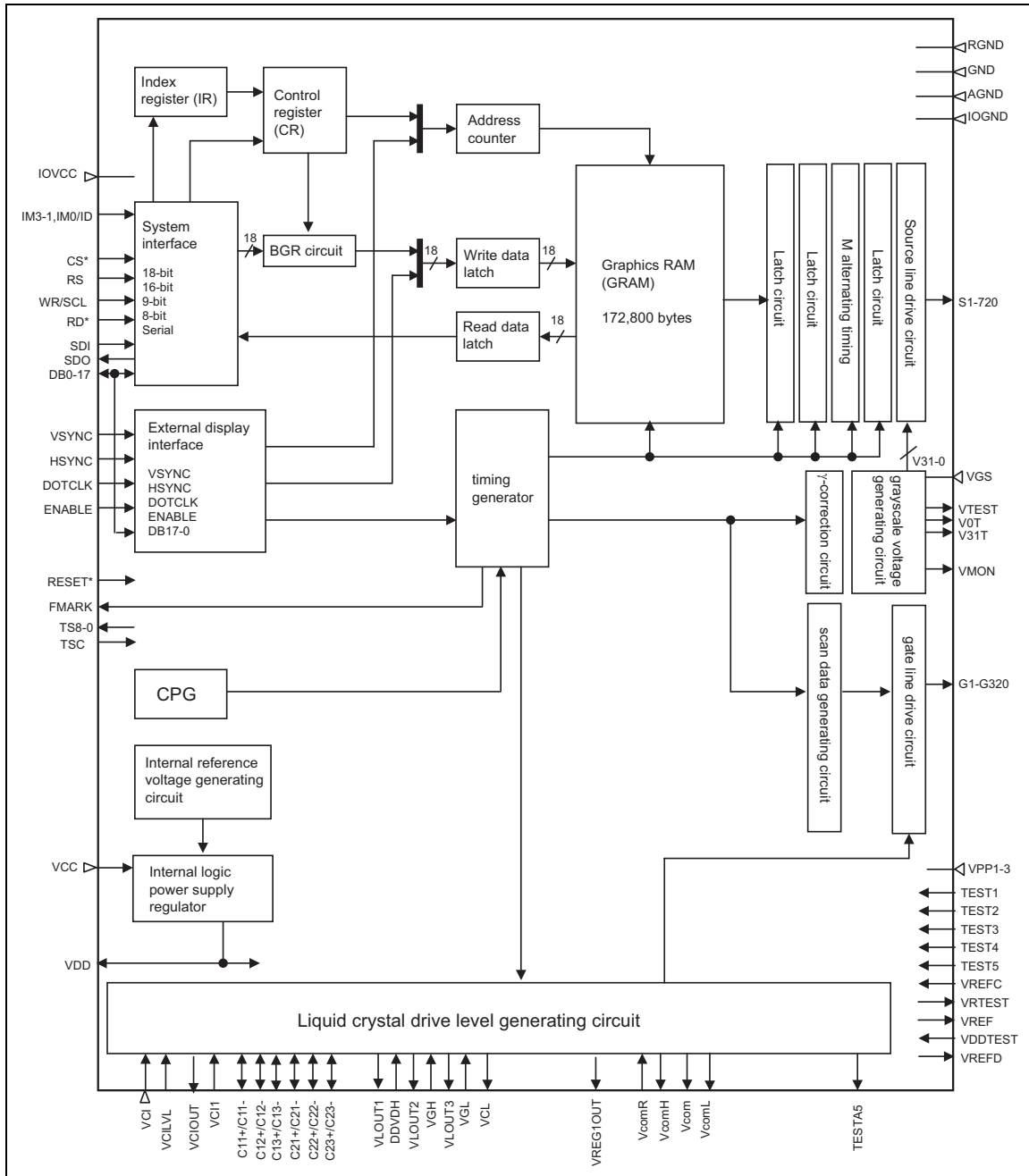


Figure 1

**Block Function****1. System Interface**

The R61505U supports 80-system high-speed interface via 8-, 9-, 16-, 18-bit parallel ports and a clock synchronous serial interface. The interface is selected by setting the IM3-0 pins.

The R61505U has a 16-bit index register (IR), an 18-bit write-data register (WDR), and an 18-bit read-data register (RDR). The IR is the register to store index information from control register and internal GRAM. The WDR is the register to temporarily store data to be written to control register and internal GRAM. The RDR is the register to temporarily store the data read from the GRAM. The data from the MPU to be written to the internal GRAM is first written to the WDR and then automatically written to the internal GRAM in internal operation. The data is read via RDR from the internal GRAM. Therefore, invalid data is sent to the data bus when the R61505U performs the first read operation from the internal GRAM. Valid data is read out when the R61505U performs the second and subsequent read operation.

The instruction execution time except that of starting oscillation takes 0 clock cycle to allow writing instructions consecutively.

**Table 6 Register Selection (80-system 8/9/16/18-bit Parallel Interface)**

<b>WR*</b>	<b>RD*</b>	<b>RS</b>	<b>Function</b>
0	1	0	Write index to IR
1	0	0	Setting disabled
0	1	1	Write to control register or internal GRAM via WDR
1	0	1	Read from internal GRAM and register via RDR

**Table 7 Register Selection (Clock synchronous serial interface)**

<b>Start byte</b>		
<b>R/W</b>	<b>RS</b>	<b>Function</b>
0	0	Write index to IR
1	0	Setting disabled
0	1	Write to control register or internal GRAM via WDR
1	1	Read from internal GRAM and register via RDR

## R61505U

**Table 8**

IM3	IM2	IM1	IM0	System interface	DB pins	RAM write data	Instruction write transfer
0	0	0	0	Setting disabled	-	-	-
0	0	0	1	Setting disabled	-	-	-
0	0	1	0	80-system 16-bit interface	DB17-10, DB8-1	Single transfer (16 bits) 2 transfers (1st: 2 bits, 2nd: 16 bits) 2 transfers (1st: 16 bits, 2nd: 2 bits)	Single transfer (16 bits)
0	0	1	1	80-system 8-bit interface	DB17-10	2 transfers (1st: 8 bits, 2nd: 8 bits) 3 transfers (1st: 6 bits, 2nd: 6 bits, 3rd: 6 bits)	2 transfers (1st: 8 bits, 2nd: 8 bits)
0	1	0	*	Clock synchronous serial interface	(SDI, SDO)	2 transfers (1st: 8 bits, 2nd: 8 bits)	2 transfers (1st: 8 bits, 2nd: 8 bits)
0	1	1	0	Setting disabled	-	-	-
0	1	1	1	Setting disabled	-	-	-
1	0	0	0	Setting disabled	-	-	-
1	0	0	1	Setting disabled	-	-	-
1	0	1	0	80-system 18-bit interface	DB17-0	Single transfer (18 bits)	Single transfer (16 bits)
1	0	1	1	80-system 9-bit interface	DB17-9	2 transfers (1st: 9 bits, 2nd: 9 bits)	2 transfers (1st: 8 bits, 2nd: 8 bits)
1	1	*	*	Setting disabled	-	-	-

### 2. External Display Interface (RGB, VSYNC interfaces)

The R61505U supports RGB interface and VSYNC interface as the external interface to display moving picture. When the RGB interface is selected, the display operation is synchronized with externally supplied signals, VSYNC, HSYNC, and DOTCLK. In RGB interface operation, data (DB17-0) is written in synchronization with these signals when the polarity of enable signal (ENABLE) allows write operation in order to prevent flicker while updating display data.

In VSYNC interface operation, the display operation is synchronized with the internal clock except frame synchronization, which synchronizes the display operation with the VSYNC signal. The display data is written to the internal GRAM via system interface. When writing data via VSYNC interface, there are constraints in speed and method in writing data to the internal RAM. For details, see the “VSYNC interface” section.

The R61505U allows switching interface by instruction according to the display, i.e. still and/or moving picture(s) in order to transfer data only when the data is updated and thereby reduce the data transfer and power consumption for moving picture display.

### 3. Address Counter (AC)

The address counter (AC) gives an address to the internal GRAM. When the index of the register to set a RAM address in the AC is written to the IR, the address information is sent from the IR to the AC. As the R61505U writes data to the internal GRAM, the address in the AC is automatically updated plus or minus 1. The window address function enables writing data only within the rectangular area specified in the GRAM.

**4. Graphics RAM (GRAM)**

GRAM is graphics RAM, which can store bit-pattern data of 172,800 (240RGB x 320 (dots) x 18(bits)) bytes at maximum, using 18 bits per pixel.

**5. Grayscale Voltage Generating Circuit**

The grayscale voltage generating circuit generates liquid crystal drive voltages according to the grayscale data in the  $\gamma$ -correction registers to enable 262k-color display. For details, see the  $\gamma$ -Correction Register section.

**6. Liquid crystal drive power supply circuit**

The liquid crystal drive power supply circuit generates DDVDH, VGH, VGL and VCOM levels to drive liquid crystal.

**7. Timing Generator**

The timing generator generates a timing signal for the operation of internal circuit such as the internal GRAM. The timing signal for display operation such as RAM read operation and the timing signal for internal operation such as RAM access from the MPU are generated separately in order to avoid mutual interference.

**8. Oscillator (OSC)**

Internal RC oscillator generates clock signal used to operate the R61505U.

The R61505U generates the RC oscillation clock using internal RC oscillator. Adjusting the frequency by external resistance is impossible. Adjust the oscillation frequency and line numbers by Frame-Frequency Adjustment Function. During the deep standby mode, RC oscillation halts to reduce power consumption. See "Oscillator" for details.

**9. Liquid crystal driver Circuit**

The liquid crystal driver circuit of the R61505U consists of a 720-output source driver (S1 ~ S720) and a 320-output gate driver (G1~G320). The display pattern data is latched when 720 bits of data are inputted. The latched data control the source driver and output drive waveforms. The gate driver for scanning gate lines outputs either VGH or VGL level. The shift direction of 720-bit source output from the source driver can be changed by setting the SS bit and the shift direction of gate output from the gate driver can be changed by setting the GS bit. The scan mode by the gate driver can be changed by setting the SM bit. Sets the gate driver pin arrangement in combination with the GS bit to select the optimal scan mode for the module.

**10. Internal logic power supply regulator**

The internal logic power supply regulator generates internal logic power supply VDD.

## Pin Function

Table 9 Interface

Signal	I/O	Connect to	Function	When not in use																																																																																																		
IM3-1, IM0/ID	I	IOGND or IOVCC	Select a mode to interface to an MPU. In serial interface operation, the IM0 pin is used to set the ID bit of device code.	-																																																																																																		
			<table border="1"> <thead> <tr> <th>IM3</th> <th>IM2</th> <th>IM1</th> <th>IM0/ID</th> <th>Interface Mode</th> <th>DB Pin</th> <th>Colors</th> </tr> </thead> <tbody> <tr> <td>0</td> <td>0</td> <td>0</td> <td>0</td> <td>Setting disabled</td> <td>-</td> <td>-</td> </tr> <tr> <td>0</td> <td>0</td> <td>0</td> <td>1</td> <td>Setting disabled</td> <td>-</td> <td>-</td> </tr> <tr> <td>0</td> <td>0</td> <td>1</td> <td>0</td> <td>80-system 16-bit interface</td> <td>DB17-10, DB8-1</td> <td>262,144 see Note 1</td> </tr> <tr> <td>0</td> <td>0</td> <td>1</td> <td>1</td> <td>80-system 8-bit interface</td> <td>DB17-10</td> <td>262,144 see Note 2</td> </tr> <tr> <td>0</td> <td>1</td> <td>0</td> <td>*(ID)</td> <td>Clock synchronous serial interface</td> <td>-</td> <td>65,536</td> </tr> <tr> <td>0</td> <td>1</td> <td>1</td> <td>0</td> <td>Setting disabled</td> <td>-</td> <td>-</td> </tr> <tr> <td>0</td> <td>1</td> <td>1</td> <td>1</td> <td>Setting disabled</td> <td>-</td> <td>-</td> </tr> <tr> <td>1</td> <td>0</td> <td>0</td> <td>0</td> <td>Setting disabled</td> <td>-</td> <td>-</td> </tr> <tr> <td>1</td> <td>0</td> <td>0</td> <td>1</td> <td>Setting disabled</td> <td>-</td> <td>-</td> </tr> <tr> <td>1</td> <td>0</td> <td>1</td> <td>0</td> <td>80-system 18-bit interface</td> <td>DB17-0</td> <td>262,144</td> </tr> <tr> <td>1</td> <td>0</td> <td>1</td> <td>1</td> <td>80-system 9-bit interface</td> <td>DB17-9</td> <td>262,144</td> </tr> <tr> <td>1</td> <td>1</td> <td>0</td> <td>0</td> <td>Setting disabled</td> <td>-</td> <td>-</td> </tr> <tr> <td>1</td> <td>1</td> <td>0</td> <td>1</td> <td>Setting disabled</td> <td>-</td> <td>-</td> </tr> </tbody> </table>		IM3	IM2	IM1	IM0/ID	Interface Mode	DB Pin	Colors	0	0	0	0	Setting disabled	-	-	0	0	0	1	Setting disabled	-	-	0	0	1	0	80-system 16-bit interface	DB17-10, DB8-1	262,144 see Note 1	0	0	1	1	80-system 8-bit interface	DB17-10	262,144 see Note 2	0	1	0	*(ID)	Clock synchronous serial interface	-	65,536	0	1	1	0	Setting disabled	-	-	0	1	1	1	Setting disabled	-	-	1	0	0	0	Setting disabled	-	-	1	0	0	1	Setting disabled	-	-	1	0	1	0	80-system 18-bit interface	DB17-0	262,144	1	0	1	1	80-system 9-bit interface	DB17-9	262,144	1	1	0	0	Setting disabled	-	-	1	1	0	1	Setting disabled	-	-
			IM3		IM2	IM1	IM0/ID	Interface Mode	DB Pin	Colors																																																																																												
			0		0	0	0	Setting disabled	-	-																																																																																												
			0		0	0	1	Setting disabled	-	-																																																																																												
			0		0	1	0	80-system 16-bit interface	DB17-10, DB8-1	262,144 see Note 1																																																																																												
			0		0	1	1	80-system 8-bit interface	DB17-10	262,144 see Note 2																																																																																												
			0		1	0	*(ID)	Clock synchronous serial interface	-	65,536																																																																																												
			0		1	1	0	Setting disabled	-	-																																																																																												
			0		1	1	1	Setting disabled	-	-																																																																																												
			1		0	0	0	Setting disabled	-	-																																																																																												
			1		0	0	1	Setting disabled	-	-																																																																																												
			1		0	1	0	80-system 18-bit interface	DB17-0	262,144																																																																																												
			1		0	1	1	80-system 9-bit interface	DB17-9	262,144																																																																																												
			1		1	0	0	Setting disabled	-	-																																																																																												
1	1	0	1	Setting disabled	-	-																																																																																																
Notes:			1. 65,536 colors in one transfer mode 2. 65,536 colors in two transfers mode																																																																																																			
CS*	I	MPU	Chip select signal. Amplitude: IOVCC-IOGND Low: the R61505U is selected and accessible High: the R61505U is not selected and not accessible.	IOVCC																																																																																																		
RS	I	MPU	Register select signal. Amplitude: IOVCC-IOGND Low: select Index or status register High: select control register	IOVCC																																																																																																		
WR*/SCL	I	MPU	Write strobe signal in 80-system bus interface operation and enables write operation when WR* is low. Synchronous clock signal (SCL) in serial interface operation. Amplitude: IOVCC-IOGND	IOVCC																																																																																																		
RD*	I	MPU	Read strobe signal in 80-system bus interface operation and enables read operation when RD* is low. Amplitude: IOVCC-IOGND	IOVCC																																																																																																		
SDI	I	MPU	Serial data input (SDI) pin in serial interface operation. The data is inputted on the rising edge of the SCL signal. Amplitude: IOVCC-IOGND	IOGND or IOVCC																																																																																																		
SDO	I/O	MPU	Serial data output (SDO) pin in serial interface operation. The data is outputted on the falling edge of the SCL signal. Amplitude: IOVCC-IOGND	Open																																																																																																		

## R61505U

Signal	I/O	Connect to	Function	When not in use
DB0-DB17	I/O	MPU	<p>18-bit parallel bi-directional data bus for 80-system interface operation (Amplitude: IOVCC-IOGND).</p> <p>8-bit I/F: DB17-DB10 are used. 9-bit I/F: DB17-DB9 are used. 16-bit I/F: DB17-DB10 and DB8-1 are used. 18-bit I/F: DB17-DB0 are used.</p> <p>18-bit parallel bi-directional data bus for RGB interface operation (Amplitude: IOVCC-IOGND).</p> <p>6-bit I/F: DB17-DB12 are used. 16-bit I/F: DB17-DB13 and DB11-1 are used. 18-bit I/F: DB17-DB0 are used.</p>	IOGND or IOVCC
ENABLE	I	MPU	<p>Data enable signal for RGB interface operation. (Amplitude: IOVCC-IOGND).</p> <p>Low: accessible (select) High: Not accessible (Not select)</p> <p>The polarity of ENABLE signal can be inverted by setting the EPL bit.</p>	IOGND or IOVCC
VSYNC	I	MPU	Frame synchronous signal for RGB interface operation. Low active. (Amplitude: IOVCC-IOGND).	IOGND or IOVCC
HSYNC	I	MPU	Line synchronous signal for RGB interface operation. Low active. (Amplitude: IOVCC-IOGND).	IOGND or IOVCC
DOTCLK	I	MPU	Dot clock signal for RGB interface operation. The data input timing is on the rising edge of DOTCLK. (Amplitude: IOVCC-IOGND).	IOGND or IOVCC
FMARK	O	MPU	Frame head pulse signal, which is used when writing data to the internal RAM. (Amplitude: IOVCC-IOGND).	Open

**Table 10 Reset, RC oscillation**

Signal	I/O	Connect to	Function	When not in use
RESET*	I	MPU or external RC circuit	Reset signal. Initializes the R61505U when it is low. Make sure to execute a power-on reset when turning on power supply (IOVCC-IOGND amplitude signal).	-
OSC1 OSC2	I O	Open	Leave them open.	Open



Table 11 Power supply

Signal	I/O	Connect to	Function	When not in use												
VCC	-	Power supply	Power supply to internal logic regulator circuit: VCC = 2.5V~3.3V. VCC ≥ IOVCC	-												
GND	-	Power supply	Internal logic GND: GND = 0V.	-												
RGND	-	Power supply	Internal RAM GND. RGND must be at the same electrical potential as GND. In case of COG, connect to GND on the FPC to prevent noise.	-												
VDD	O	Stabilizing capacitor	Internal logic regulator output, which is used as the power supply to internal logic. Connect a stabilizing capacitor.	-												
IOVCC	-	Power supply	Power supply to the interface pins: RESET*, CS*, WR, RD*, RS, DB17-0, VSYNC, HSYNC, DOTCLK, ENABLE. IOVCC = 1.65V ~ 3.3V. VCC ≥ IOVCC. In case of COG, connect to VCC on the FPC if IOVCC=VCC, to prevent noise.	-												
IOGND	-	Power supply	GND for the interface pins: RESET*, CS*, WR, RD*, RS, DB17-0, VSYNC, HSYNC, DOTCLK, ENABLE. IOGND = 0V. In case of COG, connect to GND on the FPC to prevent noise.	-												
AGND	-	Power supply	Analog GND (for logic regulator and liquid crystal power supply circuit): AGND = 0V. In case of COG, connect to GND on the FPC to prevent noise.	-												
VCI	I	Power supply	Power supply to the liquid crystal power supply analog circuit. Connect to an external power supply of 2.5V ~ 3.3V.	-												
VCILVL	I	Reference power supply	VCILVL must be at the same electrical potential as VCI. VCILVL = 2.5V ~ 3.3V. Connect to external power supply. In case of COG, connect to VCI on the FPC to prevent noise.	-												
VPP1	I	Power supply or open	Internal NVM power supply. Apply the following voltages on VPP1 ~ VPP2 respectively according to the power supply ON sequence.	Open												
VPP2	I	Power supply or open	<table border="1"> <thead> <tr> <th>Operation mode</th> <th>VPP1</th> <th>VPP2</th> <th>VPP3A / VPP3B</th> </tr> </thead> <tbody> <tr> <td>NVM write</td> <td>9.0±0.1V</td> <td>7.5±0.1V</td> <td>GND</td> </tr> <tr> <td>NVM read</td> <td>Open</td> <td>Open</td> <td>GND</td> </tr> </tbody> </table>	Operation mode	VPP1	VPP2	VPP3A / VPP3B	NVM write	9.0±0.1V	7.5±0.1V	GND	NVM read	Open	Open	GND	Open
			Operation mode	VPP1	VPP2	VPP3A / VPP3B										
NVM write	9.0±0.1V	7.5±0.1V	GND													
NVM read	Open	Open	GND													
NVM read	Open	Open	GND													
VPP3A/ VPP3B	I	Power supply or open		GND												

**R61505U****Table 12 Step-up circuit**

Signal	I/O	Connect to	Function	When not in use
VCIOUT	O	Stabilizing capacitor, VCI1	Output voltage from the step-up circuit 1, generated from the reference voltage. The output factor is set by VC bits. Make sure to connect to stabilizing capacitor.	-
VCI1	I/O	VCIOUT	Reference voltage of step-up circuit 1. Make sure the output voltage levels from VLOUT1, VLOUT2, VLOUT3 do not exceed the respective setting ranges.	-
VLOUT1	O	Stabilizing capacitor, DDVDH	Output voltage from the step-up circuit 1, generated from VCI1. The step-up factor is set by instruction (BT bits). Make sure to connect to stabilizing capacitor. VLOUT1 = 4.5V ~ 6.0V	-
DDVDH	I	VLOUT1	Power supply for the source driver liquid crystal drive unit and VCOM drive. Connect to VLOUT1. DDVDH = 4.5V ~ 6.0V	-
VLOUT2	O	Stabilizing capacitor, VGH	Output voltage from the step-up circuit 2, generated from VCI1 and DDVDH. The step-up factor is set by instruction (BT bits). Make sure to connect to stabilizing capacitor. VLOUT2 = max 20.0V	-
VGH	I	VLOUT2	Liquid crystal drive power supply. Connect to VLOUT2.	-
VLOUT3	O	Stabilizing capacitor, VGL	Output voltage from the step-up circuit 2, generated from VCI1 and DDVDH. The step-up factor is set by instruction (BT bits). Make sure to connect to stabilizing capacitor. VLOUT3 = min -13.5V	-
VGL	I	VLOUT3	Liquid crystal drive power supply. Connect to VLOUT3.	-
VCL	O	Stabilizing capacitor	VCOML drive power supply. Make sure to connect to stabilizing capacitor. VCL = -1.9V ~ -3.0V	-
C11+, C11- C12+, C12-	I O	Step-up capacitor	Capacitor connection pins for the step-up circuit 1.	-
C13+, C13- C21+, C21- C22+, C22- C23+, C23-	I O	Step-up capacitor	Capacitor connection pins for the step-up circuit 2. Connect capacitors to C23± according to the step-up factor.	-

Table 13 LCD drive

Signal	I/O	Connect to	Function	When not in use
VREG1 OUT	O	Stabilizing capacitor	Output voltage generated from the reference voltage (VCILVL or VCIR). The factor is determined by instruction (VRH bits). VREG1OUT is used for (1) source driver grayscale reference voltage, (2) VCOMH level reference voltage, and (3) VCOM amplitude reference voltage. Connect to a stabilizing capacitor when in use. $VREG1OUT = 4.0V \sim (DDVDH - 0.5)V$	Open
VCOM	O	TFT panel common electrode	Power supply to TFT panel's common electrode. VCOM alternates between VCOMH and VCOML. The alternating cycle is set by internal register. Also, the VCOM output can be started and halted by register setting.	Open
VCOMH	O	Stabilizing capacitor	The High level of VCOM amplitude. The output level can be adjusted by either external resistor (VCOMR) or electronic volume. Make sure to connect to stabilizing capacitor.	Open
VCOML	O	Stabilizing capacitor	The Low level of VCOM amplitude. The output level can be adjusted by instruction (VDV bits). $VCOML = (VCL+0.5)V \sim 0V$ . Make sure to connect to stabilizing capacitor.	Open
VCOMR	I	Variable resistor or open	Connect a variable resistor when adjusting the VCOMH level between VREG1OUT and GND.	Open
VGS	I	GND	Reference level for the grayscale voltage generating circuit.	-
S1~S720	O	LCD	Liquid crystal application voltages. To change the shift direction of segment signal output, set the SS bit as follows. When SS = 0, the data in the RAM address h00000 is outputted from S1. When SS = 1, the data in the RAM address h00000 is outputted from S720.	Open
G1~G320	O	LCD	Gate line output signals. VGH: gate line select level VGL: gate line non-select level	Open

**R61505U****Table 14 Others (test, dummy pins)**

Signal	I/O	Connect to	Function	When not in use
V0T, V31T	I/O	Open	Test pins. Leave them open.	Open
VTEST	O	Open	Test pin. Leave it open.	Open
VREFC	I	AGND	Test pin. Make sure to fix to the AGND level.	-
VREF	O	Open	Test pin. Leave it open.	Open
VDDTEST	I	AGND	Test pin. Make sure to fix to the AGND level.	-
VREFD	O	Open	Test pin. Leave it open.	Open
VMON	O	Open	Test pin. Leave it open.	Open
TESTA5	O	Open	Test pin. Leave it open.	Open
IOVCCDUM1-2	O	-	Use them to fix the electrical potentials of unused interface pins and fixed pins. When not in use, leave it open.	Open
VCCDUM1	O	-	Test pin. Leave it open	Open
IOGNDDUM1-3	O	-	Use them to fix the electrical potentials of unused interface pins and fixed pins. When not in use, leave it open.	Open
OSC1DUM1-4	O	-	Test pins. Leave them open.	Open
OSC2DUM1-2	O	-	Test pins. Leave them open.	Open
AGNDDUM1-4	O	-	Use them to fix VREFC, VDDTEST.	Open
DUMMYR 1-10	-	-	DUMMYR1 and DUMMYR10, DUMMYR2 and DUMMYR9, DUMMYR3 and DUMMYR4, DUMMYR5 and DUMMYR8, and DUMMYR6 and DUMMYR7 are short-circuited within the chip for COG contact resistance measurement.	Open
VGLDMY 1-4	O	-	Dummy pads. Leave them open.	Open

**R61505U**

---

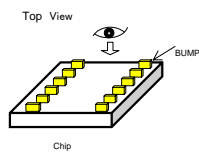
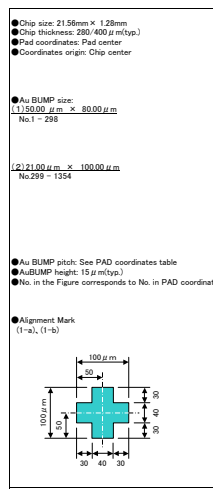
Signal	I/O	Connect to	Function	When not in use
TEST01-38	O	-	Dummy pads. Leave them open.	Open
TEST1, 2	I	IOGND	Test pins. Connect to IOGND.	IOGND
TEST3	I	IOVCC	Test pin. Connect to IOVCC.	IOVCC
TEST4	I	IOVCC	Test pin. Connect to IOVCC.	IOVCC
TEST5	I	IOGND	NVM operation enable pin. Connect to IOGND.	IOGND
TSC	I	IOGND	Test pin. Connect to IOGND.	IOGND
TS8-0	O	Open	Test pins. Leave them open.	Open

Patents of dummy pin which is used to fix pin to VCC or GND are pending or granted.

PATENT ISSUED: United States Patent No. 6,323,930

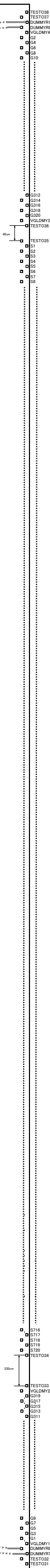
PATENT PENDING: Japanese Application No. 10-514484, Korean Application No. 19997002322

Taiwanese Application No.086103756, (PCT/JP96/02728(W098/12597))



Pad No.	Pad Name	Pad Name	Pad Name
1	DUMMYR1	DUMMYR1	TEST038
2	DUMMYR2	DUMMYR2	TEST037
3	TEST01	DUMMYR9	DUMMYR9
4	VCC0A1	DUMMYR10	DUMMYR10
5	VPP1	G6	G6
6	VPP2	G6	G6
7	VPP3	G6	G6
8	VPP4	G6	G6
9	VPP5	G6	G6
10	VPP6	G6	G6
11	VPP7	G6	G6
12	VPP8	G6	G6
13	VPP9	G6	G6
14	VPP10	G6	G6
15	VPP11	G6	G6
16	TEST02	G6	G6
17	IOGND0A1	G6	G6
18	TEST03	G6	G6
19	TEST04	G6	G6
20	TEST05	G6	G6
21	TEST06	G6	G6
22	TEST07	G6	G6
23	TEST08	G6	G6
24	TEST09	G6	G6
25	TEST10	G6	G6
26	TEST11	G6	G6
27	TEST12	G6	G6
28	TEST13	G6	G6
29	IOVCC0A1	G6	G6
30	TEST14	G6	G6
31	TEST15	G6	G6
32	VDRNG	G6	G6
33	KEYING	G6	G6
34	DOTCH	G6	G6
35	ENABLE	G6	G6
36	DE	G6	G6
37	DB10	G6	G6
38	DB11	G6	G6
39	DB12	G6	G6
40	DB13	G6	G6
41	DB14	G6	G6
42	DB15	G6	G6
43	DB16	G6	G6
44	DB17	G6	G6
45	TEST04	G6	G6
46	TEST05	G6	G6
47	IOGND0A1	G6	G6
48	TEST07	G6	G6
49	TEST08	G6	G6
50	DB1	G6	G6
51	DB2	G6	G6
52	DB3	G6	G6
53	DB4	G6	G6
54	DB5	G6	G6
55	DB6	G6	G6
56	DB7	G6	G6
57	SDO	G6	G6
58	SIO	G6	G6
59	R01	G6	G6
60	WRW_SQ1	G6	G6
61	CS1	G6	G6
62	CS2	G6	G6
63	TEST09	G6	G6
64	IOVCC0A1	G6	G6
65	TEST10	G6	G6
66	FMANK	G6	G6
67	TS1	G6	G6
68	TS2	G6	G6
69	TS3	G6	G6
70	TS4	G6	G6
71	TS5	G6	G6
72	TS6	G6	G6
73	TS7	G6	G6
74	TS8	G6	G6
75	TS9	G6	G6
76	TS10	G6	G6
77	TEST11	G6	G6
78	IOGND0A1	G6	G6
79	TEST12	G6	G6
80	TEST13	G6	G6
81	OSC0A1	G6	G6
82	OSC0A2	G6	G6
83	OSC0A3	G6	G6
84	OSC0A4	G6	G6
85	OSC0A5	G6	G6
86	OSC0A6	G6	G6
87	OSC0A7	G6	G6
88	OSC0A8	G6	G6
89	DUMMYR1	G6	G6
90	DUMMYR2	G6	G6
91	EGND	G6	G6
92	EGND	G6	G6
93	EGND	G6	G6
94	EGND	G6	G6
95	EGND	G6	G6
96	EGND	G6	G6
97	EGND	G6	G6
98	EGND	G6	G6
99	IOVCC	G6	G6
100	IOVCC	G6	G6
101	IOVCC	G6	G6
102	IOVCC	G6	G6
103	IOVCC	G6	G6
104	IOVCC	G6	G6
105	VCC	G6	G6
106	VCC	G6	G6
107	VCC	G6	G6
108	VCC	G6	G6
109	VCC	G6	G6
110	VCC	G6	G6
111	VCC	G6	G6
112	VCC	G6	G6
113	VCC	G6	G6
114	VDD	G6	G6
115	VDD	G6	G6
116	VDD	G6	G6
117	VDD	G6	G6
118	VDD	G6	G6
119	VDD	G6	G6
120	VDD	G6	G6
121	VDD	G6	G6
122	VDD	G6	G6
123	VDD	G6	G6
124	VDD	G6	G6
125	VDD	G6	G6
126	TEST14	G6	G6
127	VREF	G6	G6
128	TEST15	G6	G6
129	VREF	G6	G6
130	TEST16	G6	G6
131	VREF	G6	G6
132	TEST17	G6	G6
133	VDDTEST	G6	G6
134	AGND	G6	G6
135	AGND	G6	G6
136	AGND	G6	G6
137	AGND	G6	G6
138	AGND	G6	G6
139	AGND	G6	G6
140	AGND	G6	G6
141	AGND	G6	G6
142	AGND	G6	G6
143	AGND	G6	G6
144	AGND	G6	G6
145	GND	G6	G6
146	GND	G6	G6
147	GND	G6	G6
148	GND	G6	G6
149	GND	G6	G6
150	GND	G6	G6
151	RGND	G6	G6
152	RGND	G6	G6
153	RGND	G6	G6
154	RGND	G6	G6
155	RGND	G6	G6
156	RGND	G6	G6
157	RGND	G6	G6
158	RGND	G6	G6
159	RGND	G6	G6
160	RGND	G6	G6
161	TEST01	G6	G6
162	VREF	G6	G6
163	TEST02	G6	G6
164	VREF	G6	G6
165	TEST03	G6	G6
166	VREF	G6	G6
167	TEST04	G6	G6
168	VREF	G6	G6
169	TEST05	G6	G6
170	VREF	G6	G6
171	VCOM	G6	G6
172	VCOM	G6	G6
173	VCOM	G6	G6
174	VCOM	G6	G6
175	VCOM	G6	G6
176	VCOM	G6	G6
177	VCOM	G6	G6
178	VCOM	G6	G6
179	VCOM	G6	G6
180	VCOM	G6	G6
181	VCOM	G6	G6
182	VCOM	G6	G6
183	VCOM	G6	G6
184	VCOM	G6	G6
185	VCOM	G6	G6
186	VCOM	G6	G6
187	VCOM	G6	G6
188	VCOM	G6	G6
189	TEST06	G6	G6
190	VREF	G6	G6
191	TEST07	G6	G6
192	VREF	G6	G6
193	TEST08	G6	G6
194	VREF	G6	G6
195	TEST09	G6	G6
196	VREF	G6	G6
197	VGL	G6	G6
198	VGL	G6	G6
199	VGL	G6	G6
200	VGL	G6	G6
201	VGL	G6	G6
202	VGL	G6	G6
203	VGL	G6	G6
204	DDVDD	G6	G6
205	DDVDD	G6	G6
206	DDVDD	G6	G6
207	DDVDD	G6	G6
208	DDVDD	G6	G6
209	DDVDD	G6	G6
210	VGL	G6	G6
211	VGL	G6	G6
212	VGL	G6	G6
213	VGL	G6	G6
214	VGL	G6	G6
215	VGL	G6	G6
216	VGL	G6	G6
217	VGL	G6	G6
218	VGL	G6	G6
219	VGL	G6	G6
220	VGL	G6	G6
221	VGL	G6	G6
222	VGL	G6	G6
223	VGL	G6	G6
224	VGL	G6	G6
225	VGL	G6	G6
226	VGL	G6	G6
227	C11	G6	G6
228	C12	G6	G6
229	C13	G6	G6
230	C14	G6	G6
231	C15	G6	G6
232	C16	G6	G6
233	C17	G6	G6
234	C18	G6	G6
235	C19	G6	G6
236	C20	G6	G6
237	C21	G6	G6
238	C22	G6	G6
239	C23	G6	G6
240	C24	G6	G6
241	C25	G6	G6
242	C26	G6	G6
243	C27	G6	G6
244	C28	G6	G6
245	C29	G6	G6
246	C30	G6	G6
247	AGND0A1	G6	G6
248	VGL	G6	G6
249	VGL	G6	G6
250	VGL	G6	G6
251	VGL	G6	G6
252	VGL	G6	G6
253	VGL	G6	G6
254	VGL	G6	G6
255	VGL	G6	G6
256	VGL	G6	G6
257	VGL	G6	G6
258	VGL	G6	G6
259	VGL	G6	G6
260	AGND0A1	G6	G6
261	AGND0A1	G6	G6
262	AGND0A1	G6	G6
263	VGL	G6	G6
264	VGL	G6	G6
265	VGL	G6	G6
266	VGL	G6	G6
267	VGL	G6	G6
268	VGL	G6	G6
269	TEST01	G6	G6
270	C11	G6	G6
271	C12	G6	G6
272	C13	G6	G6
273	TEST02	G6	G6
274	C14	G6	G6
275	C15	G6	G6
276	C16	G6	G6
277	TEST03	G6	G6
278	C17	G6	G6
279	C18	G6	G6
280	C19	G6	G6
281	C20	G6	G6
282	C21	G6	G6
283	C22	G6	G6
284	C23	G6	G6
285	C24	G6	G6
286	C25	G6	G6
287	C26	G6	G6
288	C27	G6	G6
289	C28	G6	G6
290	C29	G6	G6
291	C30	G6	G6
292	C31	G6	G6
293	C32	G6	G6
294	C33	G6	G6
295	TEST04	G6	G6
296	C34	G6	G6
297	TEST05	G6	G6
298	DUMMYR1	G6	G6

R61505U  
Staggered output  
Top View  
(Bump View)



## R61505U

Chip size: 21.56 mm x 1.28 mm  
 Chip thickness: 280/400 $\mu$ m (typ.)  
 PAD coordinates: PAD center  
 PAD coordinates origin: Chip center

Au bump size  
 (1) 50 $\mu$ m x 80 $\mu$ m

I/O output side:  
 No. 1 - No. 298

(2) 21 $\mu$ m x 100 $\mu$ m

Liquid crystal output side:  
 No. 299 - No. 1354

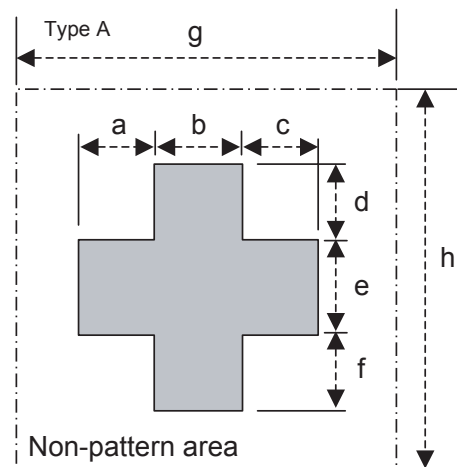
Au bump pitch: See PAD coordinates table

Au bump height: 15 $\mu$ m (typ.)

No. in the Figure corresponds to No. in the  
 PAD coordinates table

Alignment mark

Alignment mark shape	X	Y
Type A	-10613.0	-468.0
	10613.0	-468.0



Unit ( $\mu$ m)

a: 30    e: 40  
 b: 40    f: 30  
 c: 30    g: 100  
 d: 30    h: 100

### R61505U Pad Coordinate (Unit: $\mu\text{m}$ )

2007/04/09 rev1.21

pad No	pad name	X	Y
1	DUMMYR1	-10395.0	-517.5
2	DUMMYR2	-10325.0	-517.5
3	TESTO1	-10255.0	-517.5
4	VCCDUM1	-10185.0	-517.5
5	VPP1	-10115.0	-517.5
6	VPP1	-10045.0	-517.5
7	VPP1	-9975.0	-517.5
8	VPP2	-9905.0	-517.5
9	VPP2	-9835.0	-517.5
10	VPP2	-9765.0	-517.5
11	VPP2	-9695.0	-517.5
12	VPP2	-9625.0	-517.5
13	VPP3A	-9555.0	-517.5
14	VPP3A	-9485.0	-517.5
15	VPP3B	-9415.0	-517.5
16	TESTO2	-9345.0	-517.5
17	IOGNDDUM1	-9275.0	-517.5
18	TESTO3	-9205.0	-517.5
19	TEST1	-9135.0	-517.5
20	TEST2	-9065.0	-517.5
21	TEST4	-8995.0	-517.5
22	TEST5	-8925.0	-517.5
23	TEST3	-8855.0	-517.5
24	IM0/ID	-8785.0	-517.5
25	IM1	-8715.0	-517.5
26	IM2	-8645.0	-517.5
27	IM3	-8575.0	-517.5
28	TESTO4	-8505.0	-517.5
29	IOVCCDUM1	-8435.0	-517.5
30	TESTO5	-8365.0	-517.5
31	RESET*	-8295.0	-517.5
32	VSYNC	-8225.0	-517.5
33	HSYNC	-8155.0	-517.5
34	DOTCLK	-8085.0	-517.5
35	ENABLE	-8015.0	-517.5
36	DB17	-7945.0	-517.5
37	DB16	-7875.0	-517.5
38	DB15	-7805.0	-517.5
39	DB14	-7735.0	-517.5
40	DB13	-7665.0	-517.5
41	DB12	-7595.0	-517.5
42	DB11	-7525.0	-517.5
43	DB10	-7455.0	-517.5
44	DB9	-7385.0	-517.5
45	DB8	-7315.0	-517.5
46	TESTO6	-7245.0	-517.5
47	IOGNDDUM2	-7175.0	-517.5
48	TESTO7	-7105.0	-517.5
49	DB7	-7035.0	-517.5
50	DB6	-6965.0	-517.5

pad No	pad name	X	Y
51	DB5	-6895.0	-517.5
52	DB4	-6825.0	-517.5
53	DB3	-6755.0	-517.5
54	DB2	-6685.0	-517.5
55	DB1	-6615.0	-517.5
56	DB0	-6545.0	-517.5
57	SDO	-6475.0	-517.5
58	SDI	-6405.0	-517.5
59	RD*	-6335.0	-517.5
60	WR*/SCL	-6265.0	-517.5
61	RS	-6195.0	-517.5
62	CS*	-6125.0	-517.5
63	TESTO8	-6055.0	-517.5
64	IOVCCDUM2	-5985.0	-517.5
65	TESTO9	-5915.0	-517.5
66	FMARK	-5845.0	-517.5
67	TS8	-5775.0	-517.5
68	TS7	-5705.0	-517.5
69	TS6	-5635.0	-517.5
70	TS5	-5565.0	-517.5
71	TS4	-5495.0	-517.5
72	TS3	-5425.0	-517.5
73	TS2	-5355.0	-517.5
74	TS1	-5285.0	-517.5
75	TS0	-5215.0	-517.5
76	TSC	-5145.0	-517.5
77	TESTO10	-5075.0	-517.5
78	IOGNDDUM3	-5005.0	-517.5
79	TESTO11	-4935.0	-517.5
80	TESTO12	-4865.0	-517.5
81	OSC1DUM1	-4795.0	-517.5
82	OSC1DUM2	-4725.0	-517.5
83	OSC1	-4655.0	-517.5
84	OSC1DUM3	-4585.0	-517.5
85	OSC1DUM4	-4515.0	-517.5
86	OSC2	-4445.0	-517.5
87	OSC2DUM1	-4375.0	-517.5
88	OSC2DUM2	-4305.0	-517.5
89	DUMMYR3	-4235.0	-517.5
90	DUMMYR4	-4165.0	-517.5
91	IOGND	-4095.0	-517.5
92	IOGND	-4025.0	-517.5
93	IOGND	-3955.0	-517.5
94	IOGND	-3885.0	-517.5
95	IOGND	-3815.0	-517.5
96	IOGND	-3745.0	-517.5
97	IOGND	-3675.0	-517.5
98	IOVCC	-3605.0	-517.5
99	IOVCC	-3535.0	-517.5
100	IOVCC	-3465.0	-517.5



### R61505U Pad Coordinate (Unit: $\mu\text{m}$ )

2007/04/09 rev1.21

pad No	pad name	X	Y
101	IOVCC	-3395.0	-517.5
102	IOVCC	-3325.0	-517.5
103	IOVCC	-3255.0	-517.5
104	IOVCC	-3185.0	-517.5
105	VCC	-3115.0	-517.5
106	VCC	-3045.0	-517.5
107	VCC	-2975.0	-517.5
108	VCC	-2905.0	-517.5
109	VCC	-2835.0	-517.5
110	VCC	-2765.0	-517.5
111	VCC	-2695.0	-517.5
112	VCC	-2625.0	-517.5
113	VDDOUT	-2555.0	-517.5
114	VDDOUT	-2485.0	-517.5
115	VDDOUT	-2415.0	-517.5
116	VDDOUT	-2345.0	-517.5
117	VDD	-2275.0	-517.5
118	VDD	-2205.0	-517.5
119	VDD	-2135.0	-517.5
120	VDD	-2065.0	-517.5
121	VDD	-1995.0	-517.5
122	VDD	-1925.0	-517.5
123	VDD	-1855.0	-517.5
124	VDD	-1785.0	-517.5
125	VDD	-1715.0	-517.5
126	TESTO13	-1645.0	-517.5
127	VREFD	-1575.0	-517.5
128	TESTO14	-1505.0	-517.5
129	VREF	-1435.0	-517.5
130	TESTO15	-1365.0	-517.5
131	VREFC	-1295.0	-517.5
132	TESTO16	-1225.0	-517.5
133	VDDTEST	-1155.0	-517.5
134	AGND	-1085.0	-517.5
135	AGND	-1015.0	-517.5
136	AGND	-945.0	-517.5
137	AGND	-875.0	-517.5
138	AGND	-805.0	-517.5
139	AGND	-735.0	-517.5
140	AGND	-665.0	-517.5
141	AGND	-595.0	-517.5
142	AGND	-525.0	-517.5
143	AGND	-455.0	-517.5
144	AGND	-385.0	-517.5
145	GND	-315.0	-517.5
146	GND	-245.0	-517.5
147	GND	-175.0	-517.5
148	GND	-105.0	-517.5
149	GND	-35.0	-517.5
150	GND	35.0	-517.5

pad No	pad name	X	Y
151	RGND	105.0	-517.5
152	RGND	175.0	-517.5
153	RGND	245.0	-517.5
154	RGND	315.0	-517.5
155	RGND	385.0	-517.5
156	RGND	455.0	-517.5
157	RGND	525.0	-517.5
158	RGND	595.0	-517.5
159	RGND	665.0	-517.5
160	RGND	735.0	-517.5
161	TESTO17	805.0	-517.5
162	VTEST	875.0	-517.5
163	TESTO18	945.0	-517.5
164	VGS	1015.0	-517.5
165	TESTO19	1085.0	-517.5
166	V0T	1155.0	-517.5
167	TESTO20	1225.0	-517.5
168	VMON	1295.0	-517.5
169	TESTO21	1365.0	-517.5
170	V31T	1435.0	-517.5
171	VCOM	1505.0	-517.5
172	VCOM	1575.0	-517.5
173	VCOM	1645.0	-517.5
174	VCOM	1715.0	-517.5
175	VCOM	1785.0	-517.5
176	VCOM	1855.0	-517.5
177	VCOMH	1925.0	-517.5
178	VCOMH	1995.0	-517.5
179	VCOMH	2065.0	-517.5
180	VCOMH	2135.0	-517.5
181	VCOMH	2205.0	-517.5
182	VCOMH	2275.0	-517.5
183	VCOML	2345.0	-517.5
184	VCOML	2415.0	-517.5
185	VCOML	2485.0	-517.5
186	VCOML	2555.0	-517.5
187	VCOML	2625.0	-517.5
188	VCOML	2695.0	-517.5
189	TESTO22	2765.0	-517.5
190	TESTO23	2835.0	-517.5
191	VREG1OUT	2905.0	-517.5
192	TESTO24	2975.0	-517.5
193	TESTA5	3045.0	-517.5
194	TESTO25	3115.0	-517.5
195	VCOMR	3185.0	-517.5
196	TESTO26	3255.0	-517.5
197	VCL	3325.0	-517.5
198	VCL	3395.0	-517.5
199	VCL	3465.0	-517.5
200	VLOUT1	3535.0	-517.5

**R61505U Pad Coordinate (Unit:  $\mu\text{m}$ )**

2007/04/09 rev1.21

pad No	pad name	X	Y
201	VLOUT1	3605.0	-517.5
202	VLOUT1	3675.0	-517.5
203	DDVDH	3745.0	-517.5
204	DDVDH	3815.0	-517.5
205	DDVDH	3885.0	-517.5
206	DDVDH	3955.0	-517.5
207	DDVDH	4025.0	-517.5
208	DDVDH	4095.0	-517.5
209	DDVDH	4165.0	-517.5
210	VCIOUT	4235.0	-517.5
211	VCIOUT	4305.0	-517.5
212	VCIOUT	4375.0	-517.5
213	VCI1	4445.0	-517.5
214	VCI1	4515.0	-517.5
215	VCI1	4585.0	-517.5
216	VCI1	4655.0	-517.5
217	VCI1	4725.0	-517.5
218	VCILVL	4795.0	-517.5
219	VCI	4865.0	-517.5
220	VCI	4935.0	-517.5
221	VCI	5005.0	-517.5
222	VCI	5075.0	-517.5
223	VCI	5145.0	-517.5
224	VCI	5215.0	-517.5
225	VCI	5285.0	-517.5
226	VCI	5355.0	-517.5
227	C12-	5425.0	-517.5
228	C12-	5495.0	-517.5
229	C12-	5565.0	-517.5
230	C12-	5635.0	-517.5
231	C12-	5705.0	-517.5
232	C12+	5775.0	-517.5
233	C12+	5845.0	-517.5
234	C12+	5915.0	-517.5
235	C12+	5985.0	-517.5
236	C12+	6055.0	-517.5
237	C11-	6125.0	-517.5
238	C11-	6195.0	-517.5
239	C11-	6265.0	-517.5
240	C11-	6335.0	-517.5
241	C11-	6405.0	-517.5
242	C11+	6475.0	-517.5
243	C11+	6545.0	-517.5
244	C11+	6615.0	-517.5
245	C11+	6685.0	-517.5
246	C11+	6755.0	-517.5
247	AGNDDUM1	6825.0	-517.5
248	VLOUT3	6895.0	-517.5
249	VLOUT3	6965.0	-517.5
250	VGL	7035.0	-517.5

pad No	pad name	X	Y
251	VGL	7105.0	-517.5
252	VGL	7175.0	-517.5
253	VGL	7245.0	-517.5
254	VGL	7315.0	-517.5
255	VGL	7385.0	-517.5
256	VGL	7455.0	-517.5
257	VGL	7525.0	-517.5
258	VGL	7595.0	-517.5
259	VGL	7665.0	-517.5
260	AGNDDUM2	7735.0	-517.5
261	AGNDDUM3	7805.0	-517.5
262	AGNDDUM4	7875.0	-517.5
263	VLOUT2	7945.0	-517.5
264	VLOUT2	8015.0	-517.5
265	VGH	8085.0	-517.5
266	VGH	8155.0	-517.5
267	VGH	8225.0	-517.5
268	VGH	8295.0	-517.5
269	TESTO27	8365.0	-517.5
270	C13-	8435.0	-517.5
271	C13-	8505.0	-517.5
272	C13-	8575.0	-517.5
273	TESTO28	8645.0	-517.5
274	C13+	8715.0	-517.5
275	C13+	8785.0	-517.5
276	C13+	8855.0	-517.5
277	TESTO29	8925.0	-517.5
278	C21-	8995.0	-517.5
279	C21-	9065.0	-517.5
280	C21-	9135.0	-517.5
281	C21+	9205.0	-517.5
282	C21+	9275.0	-517.5
283	C21+	9345.0	-517.5
284	C22-	9415.0	-517.5
285	C22-	9485.0	-517.5
286	C22-	9555.0	-517.5
287	C22+	9625.0	-517.5
288	C22+	9695.0	-517.5
289	C22+	9765.0	-517.5
290	C23-	9835.0	-517.5
291	C23-	9905.0	-517.5
292	C23-	9975.0	-517.5
293	C23+	10045.0	-517.5
294	C23+	10115.0	-517.5
295	C23+	10185.0	-517.5
296	TESTO30	10255.0	-517.5
297	DUMMYR5	10325.0	-517.5
298	DUMMYR6	10395.0	-517.5
299	TESTO31	10670.0	511.5
300	TESTO32	10650.0	386.5

**R61505U Pad Coordinate (Unit:  $\mu\text{m}$ )**

2007/04/09 rev1.21

pad No	pad name	X	Y
301	DUMMYR7	10630.0	511.5
302	DUMMYR8	10610.0	386.5
303	VGLDMY1	10590.0	511.5
304	G1	10570.0	386.5
305	G3	10550.0	511.5
306	G5	10530.0	386.5
307	G7	10510.0	511.5
308	G9	10490.0	386.5
309	G11	10470.0	511.5
310	G13	10450.0	386.5
311	G15	10430.0	511.5
312	G17	10410.0	386.5
313	G19	10390.0	511.5
314	G21	10370.0	386.5
315	G23	10350.0	511.5
316	G25	10330.0	386.5
317	G27	10310.0	511.5
318	G29	10290.0	386.5
319	G31	10270.0	511.5
320	G33	10250.0	386.5
321	G35	10230.0	511.5
322	G37	10210.0	386.5
323	G39	10190.0	511.5
324	G41	10170.0	386.5
325	G43	10150.0	511.5
326	G45	10130.0	386.5
327	G47	10110.0	511.5
328	G49	10090.0	386.5
329	G51	10070.0	511.5
330	G53	10050.0	386.5
331	G55	10030.0	511.5
332	G57	10010.0	386.5
333	G59	9990.0	511.5
334	G61	9970.0	386.5
335	G63	9950.0	511.5
336	G65	9930.0	386.5
337	G67	9910.0	511.5
338	G69	9890.0	386.5
339	G71	9870.0	511.5
340	G73	9850.0	386.5
341	G75	9830.0	511.5
342	G77	9810.0	386.5
343	G79	9790.0	511.5
344	G81	9770.0	386.5
345	G83	9750.0	511.5
346	G85	9730.0	386.5
347	G87	9710.0	511.5
348	G89	9690.0	386.5
349	G91	9670.0	511.5
350	G93	9650.0	386.5

pad No	pad name	X	Y
351	G95	9630.0	511.5
352	G97	9610.0	386.5
353	G99	9590.0	511.5
354	G101	9570.0	386.5
355	G103	9550.0	511.5
356	G105	9530.0	386.5
357	G107	9510.0	511.5
358	G109	9490.0	386.5
359	G111	9470.0	511.5
360	G113	9450.0	386.5
361	G115	9430.0	511.5
362	G117	9410.0	386.5
363	G119	9390.0	511.5
364	G121	9370.0	386.5
365	G123	9350.0	511.5
366	G125	9330.0	386.5
367	G127	9310.0	511.5
368	G129	9290.0	386.5
369	G131	9270.0	511.5
370	G133	9250.0	386.5
371	G135	9230.0	511.5
372	G137	9210.0	386.5
373	G139	9190.0	511.5
374	G141	9170.0	386.5
375	G143	9150.0	511.5
376	G145	9130.0	386.5
377	G147	9110.0	511.5
378	G149	9090.0	386.5
379	G151	9070.0	511.5
380	G153	9050.0	386.5
381	G155	9030.0	511.5
382	G157	9010.0	386.5
383	G159	8990.0	511.5
384	G161	8970.0	386.5
385	G163	8950.0	511.5
386	G165	8930.0	386.5
387	G167	8910.0	511.5
388	G169	8890.0	386.5
389	G171	8870.0	511.5
390	G173	8850.0	386.5
391	G175	8830.0	511.5
392	G177	8810.0	386.5
393	G179	8790.0	511.5
394	G181	8770.0	386.5
395	G183	8750.0	511.5
396	G185	8730.0	386.5
397	G187	8710.0	511.5
398	G189	8690.0	386.5
399	G191	8670.0	511.5
400	G193	8650.0	386.5

**R61505U Pad Coordinate (Unit: μm)**

2007/04/09 rev1.21

pad No	pad name	X	Y
401	G195	8630.0	511.5
402	G197	8610.0	386.5
403	G199	8590.0	511.5
404	G201	8570.0	386.5
405	G203	8550.0	511.5
406	G205	8530.0	386.5
407	G207	8510.0	511.5
408	G209	8490.0	386.5
409	G211	8470.0	511.5
410	G213	8450.0	386.5
411	G215	8430.0	511.5
412	G217	8410.0	386.5
413	G219	8390.0	511.5
414	G221	8370.0	386.5
415	G223	8350.0	511.5
416	G225	8330.0	386.5
417	G227	8310.0	511.5
418	G229	8290.0	386.5
419	G231	8270.0	511.5
420	G233	8250.0	386.5
421	G235	8230.0	511.5
422	G237	8210.0	386.5
423	G239	8190.0	511.5
424	G241	8170.0	386.5
425	G243	8150.0	511.5
426	G245	8130.0	386.5
427	G247	8110.0	511.5
428	G249	8090.0	386.5
429	G251	8070.0	511.5
430	G253	8050.0	386.5
431	G255	8030.0	511.5
432	G257	8010.0	386.5
433	G259	7990.0	511.5
434	G261	7970.0	386.5
435	G263	7950.0	511.5
436	G265	7930.0	386.5
437	G267	7910.0	511.5
438	G269	7890.0	386.5
439	G271	7870.0	511.5
440	G273	7850.0	386.5
441	G275	7830.0	511.5
442	G277	7810.0	386.5
443	G279	7790.0	511.5
444	G281	7770.0	386.5
445	G283	7750.0	511.5
446	G285	7730.0	386.5
447	G287	7710.0	511.5
448	G289	7690.0	386.5
449	G291	7670.0	511.5
450	G293	7650.0	386.5

pad No	pad name	X	Y
451	G295	7630.0	511.5
452	G297	7610.0	386.5
453	G299	7590.0	511.5
454	G301	7570.0	386.5
455	G303	7550.0	511.5
456	G305	7530.0	386.5
457	G307	7510.0	511.5
458	G309	7490.0	386.5
459	G311	7470.0	511.5
460	G313	7450.0	386.5
461	G315	7430.0	511.5
462	G317	7410.0	386.5
463	G319	7390.0	511.5
464	VGLDMY2	7370.0	386.5
465	TESTO33	7350.0	511.5
466	TESTO34	7130.0	511.5
467	S720	7110.0	386.5
468	S719	7090.0	511.5
469	S718	7070.0	386.5
470	S717	7050.0	511.5
471	S716	7030.0	386.5
472	S715	7010.0	511.5
473	S714	6990.0	386.5
474	S713	6970.0	511.5
475	S712	6950.0	386.5
476	S711	6930.0	511.5
477	S710	6910.0	386.5
478	S709	6890.0	511.5
479	S708	6870.0	386.5
480	S707	6850.0	511.5
481	S706	6830.0	386.5
482	S705	6810.0	511.5
483	S704	6790.0	386.5
484	S703	6770.0	511.5
485	S702	6750.0	386.5
486	S701	6730.0	511.5
487	S700	6710.0	386.5
488	S699	6690.0	511.5
489	S698	6670.0	386.5
490	S697	6650.0	511.5
491	S696	6630.0	386.5
492	S695	6610.0	511.5
493	S694	6590.0	386.5
494	S693	6570.0	511.5
495	S692	6550.0	386.5
496	S691	6530.0	511.5
497	S690	6510.0	386.5
498	S689	6490.0	511.5
499	S688	6470.0	386.5
500	S687	6450.0	511.5

**R61505U Pad Coordinate (Unit: μm)**

2007/04/09 rev1.21

pad No	pad name	X	Y
501	S686	6430.0	386.5
502	S685	6410.0	511.5
503	S684	6390.0	386.5
504	S683	6370.0	511.5
505	S682	6350.0	386.5
506	S681	6330.0	511.5
507	S680	6310.0	386.5
508	S679	6290.0	511.5
509	S678	6270.0	386.5
510	S677	6250.0	511.5
511	S676	6230.0	386.5
512	S675	6210.0	511.5
513	S674	6190.0	386.5
514	S673	6170.0	511.5
515	S672	6150.0	386.5
516	S671	6130.0	511.5
517	S670	6110.0	386.5
518	S669	6090.0	511.5
519	S668	6070.0	386.5
520	S667	6050.0	511.5
521	S666	6030.0	386.5
522	S665	6010.0	511.5
523	S664	5990.0	386.5
524	S663	5970.0	511.5
525	S662	5950.0	386.5
526	S661	5930.0	511.5
527	S660	5910.0	386.5
528	S659	5890.0	511.5
529	S658	5870.0	386.5
530	S657	5850.0	511.5
531	S656	5830.0	386.5
532	S655	5810.0	511.5
533	S654	5790.0	386.5
534	S653	5770.0	511.5
535	S652	5750.0	386.5
536	S651	5730.0	511.5
537	S650	5710.0	386.5
538	S649	5690.0	511.5
539	S648	5670.0	386.5
540	S647	5650.0	511.5
541	S646	5630.0	386.5
542	S645	5610.0	511.5
543	S644	5590.0	386.5
544	S643	5570.0	511.5
545	S642	5550.0	386.5
546	S641	5530.0	511.5
547	S640	5510.0	386.5
548	S639	5490.0	511.5
549	S638	5470.0	386.5
550	S637	5450.0	511.5

pad No	pad name	X	Y
551	S636	5430.0	386.5
552	S635	5410.0	511.5
553	S634	5390.0	386.5
554	S633	5370.0	511.5
555	S632	5350.0	386.5
556	S631	5330.0	511.5
557	S630	5310.0	386.5
558	S629	5290.0	511.5
559	S628	5270.0	386.5
560	S627	5250.0	511.5
561	S626	5230.0	386.5
562	S625	5210.0	511.5
563	S624	5190.0	386.5
564	S623	5170.0	511.5
565	S622	5150.0	386.5
566	S621	5130.0	511.5
567	S620	5110.0	386.5
568	S619	5090.0	511.5
569	S618	5070.0	386.5
570	S617	5050.0	511.5
571	S616	5030.0	386.5
572	S615	5010.0	511.5
573	S614	4990.0	386.5
574	S613	4970.0	511.5
575	S612	4950.0	386.5
576	S611	4930.0	511.5
577	S610	4910.0	386.5
578	S609	4890.0	511.5
579	S608	4870.0	386.5
580	S607	4850.0	511.5
581	S606	4830.0	386.5
582	S605	4810.0	511.5
583	S604	4790.0	386.5
584	S603	4770.0	511.5
585	S602	4750.0	386.5
586	S601	4730.0	511.5
587	S600	4710.0	386.5
588	S599	4690.0	511.5
589	S598	4670.0	386.5
590	S597	4650.0	511.5
591	S596	4630.0	386.5
592	S595	4610.0	511.5
593	S594	4590.0	386.5
594	S593	4570.0	511.5
595	S592	4550.0	386.5
596	S591	4530.0	511.5
597	S590	4510.0	386.5
598	S589	4490.0	511.5
599	S588	4470.0	386.5
600	S587	4450.0	511.5

**R61505U Pad Coordinate (Unit: μm)**

2007/04/09 rev1.21

pad No	pad name	X	Y
601	S586	4430.0	386.5
602	S585	4410.0	511.5
603	S584	4390.0	386.5
604	S583	4370.0	511.5
605	S582	4350.0	386.5
606	S581	4330.0	511.5
607	S580	4310.0	386.5
608	S579	4290.0	511.5
609	S578	4270.0	386.5
610	S577	4250.0	511.5
611	S576	4230.0	386.5
612	S575	4210.0	511.5
613	S574	4190.0	386.5
614	S573	4170.0	511.5
615	S572	4150.0	386.5
616	S571	4130.0	511.5
617	S570	4110.0	386.5
618	S569	4090.0	511.5
619	S568	4070.0	386.5
620	S567	4050.0	511.5
621	S566	4030.0	386.5
622	S565	4010.0	511.5
623	S564	3990.0	386.5
624	S563	3970.0	511.5
625	S562	3950.0	386.5
626	S561	3930.0	511.5
627	S560	3910.0	386.5
628	S559	3890.0	511.5
629	S558	3870.0	386.5
630	S557	3850.0	511.5
631	S556	3830.0	386.5
632	S555	3810.0	511.5
633	S554	3790.0	386.5
634	S553	3770.0	511.5
635	S552	3750.0	386.5
636	S551	3730.0	511.5
637	S550	3710.0	386.5
638	S549	3690.0	511.5
639	S548	3670.0	386.5
640	S547	3650.0	511.5
641	S546	3630.0	386.5
642	S545	3610.0	511.5
643	S544	3590.0	386.5
644	S543	3570.0	511.5
645	S542	3550.0	386.5
646	S541	3530.0	511.5
647	S540	3510.0	386.5
648	S539	3490.0	511.5
649	S538	3470.0	386.5
650	S537	3450.0	511.5

pad No	pad name	X	Y
651	S536	3430.0	386.5
652	S535	3410.0	511.5
653	S534	3390.0	386.5
654	S533	3370.0	511.5
655	S532	3350.0	386.5
656	S531	3330.0	511.5
657	S530	3310.0	386.5
658	S529	3290.0	511.5
659	S528	3270.0	386.5
660	S527	3250.0	511.5
661	S526	3230.0	386.5
662	S525	3210.0	511.5
663	S524	3190.0	386.5
664	S523	3170.0	511.5
665	S522	3150.0	386.5
666	S521	3130.0	511.5
667	S520	3110.0	386.5
668	S519	3090.0	511.5
669	S518	3070.0	386.5
670	S517	3050.0	511.5
671	S516	3030.0	386.5
672	S515	3010.0	511.5
673	S514	2990.0	386.5
674	S513	2970.0	511.5
675	S512	2950.0	386.5
676	S511	2930.0	511.5
677	S510	2910.0	386.5
678	S509	2890.0	511.5
679	S508	2870.0	386.5
680	S507	2850.0	511.5
681	S506	2830.0	386.5
682	S505	2810.0	511.5
683	S504	2790.0	386.5
684	S503	2770.0	511.5
685	S502	2750.0	386.5
686	S501	2730.0	511.5
687	S500	2710.0	386.5
688	S499	2690.0	511.5
689	S498	2670.0	386.5
690	S497	2650.0	511.5
691	S496	2630.0	386.5
692	S495	2610.0	511.5
693	S494	2590.0	386.5
694	S493	2570.0	511.5
695	S492	2550.0	386.5
696	S491	2530.0	511.5
697	S490	2510.0	386.5
698	S489	2490.0	511.5
699	S488	2470.0	386.5
700	S487	2450.0	511.5

**R61505U Pad Coordinate (Unit:  $\mu\text{m}$ )**

2007/04/09 rev1.21

pad No	pad name	X	Y
701	S486	2430.0	386.5
702	S485	2410.0	511.5
703	S484	2390.0	386.5
704	S483	2370.0	511.5
705	S482	2350.0	386.5
706	S481	2330.0	511.5
707	S480	2310.0	386.5
708	S479	2290.0	511.5
709	S478	2270.0	386.5
710	S477	2250.0	511.5
711	S476	2230.0	386.5
712	S475	2210.0	511.5
713	S474	2190.0	386.5
714	S473	2170.0	511.5
715	S472	2150.0	386.5
716	S471	2130.0	511.5
717	S470	2110.0	386.5
718	S469	2090.0	511.5
719	S468	2070.0	386.5
720	S467	2050.0	511.5
721	S466	2030.0	386.5
722	S465	2010.0	511.5
723	S464	1990.0	386.5
724	S463	1970.0	511.5
725	S462	1950.0	386.5
726	S461	1930.0	511.5
727	S460	1910.0	386.5
728	S459	1890.0	511.5
729	S458	1870.0	386.5
730	S457	1850.0	511.5
731	S456	1830.0	386.5
732	S455	1810.0	511.5
733	S454	1790.0	386.5
734	S453	1770.0	511.5
735	S452	1750.0	386.5
736	S451	1730.0	511.5
737	S450	1710.0	386.5
738	S449	1690.0	511.5
739	S448	1670.0	386.5
740	S447	1650.0	511.5
741	S446	1630.0	386.5
742	S445	1610.0	511.5
743	S444	1590.0	386.5
744	S443	1570.0	511.5
745	S442	1550.0	386.5
746	S441	1530.0	511.5
747	S440	1510.0	386.5
748	S439	1490.0	511.5
749	S438	1470.0	386.5
750	S437	1450.0	511.5

pad No	pad name	X	Y
751	S436	1430.0	386.5
752	S435	1410.0	511.5
753	S434	1390.0	386.5
754	S433	1370.0	511.5
755	S432	1350.0	386.5
756	S431	1330.0	511.5
757	S430	1310.0	386.5
758	S429	1290.0	511.5
759	S428	1270.0	386.5
760	S427	1250.0	511.5
761	S426	1230.0	386.5
762	S425	1210.0	511.5
763	S424	1190.0	386.5
764	S423	1170.0	511.5
765	S422	1150.0	386.5
766	S421	1130.0	511.5
767	S420	1110.0	386.5
768	S419	1090.0	511.5
769	S418	1070.0	386.5
770	S417	1050.0	511.5
771	S416	1030.0	386.5
772	S415	1010.0	511.5
773	S414	990.0	386.5
774	S413	970.0	511.5
775	S412	950.0	386.5
776	S411	930.0	511.5
777	S410	910.0	386.5
778	S409	890.0	511.5
779	S408	870.0	386.5
780	S407	850.0	511.5
781	S406	830.0	386.5
782	S405	810.0	511.5
783	S404	790.0	386.5
784	S403	770.0	511.5
785	S402	750.0	386.5
786	S401	730.0	511.5
787	S400	710.0	386.5
788	S399	690.0	511.5
789	S398	670.0	386.5
790	S397	650.0	511.5
791	S396	630.0	386.5
792	S395	610.0	511.5
793	S394	590.0	386.5
794	S393	570.0	511.5
795	S392	550.0	386.5
796	S391	530.0	511.5
797	S390	510.0	386.5
798	S389	490.0	511.5
799	S388	470.0	386.5
800	S387	450.0	511.5

**R61505U Pad Coordinate (Unit: μm)**

2007/04/09 rev1.21

pad No	pad name	X	Y
801	S386	430.0	386.5
802	S385	410.0	511.5
803	S384	390.0	386.5
804	S383	370.0	511.5
805	S382	350.0	386.5
806	S381	330.0	511.5
807	S380	310.0	386.5
808	S379	290.0	511.5
809	S378	270.0	386.5
810	S377	250.0	511.5
811	S376	230.0	386.5
812	S375	210.0	511.5
813	S374	190.0	386.5
814	S373	170.0	511.5
815	S372	150.0	386.5
816	S371	130.0	511.5
817	S370	110.0	386.5
818	S369	90.0	511.5
819	S368	70.0	386.5
820	S367	50.0	511.5
821	S366	30.0	386.5
822	S365	10.0	511.5
823	S364	-10.0	386.5
824	S363	-30.0	511.5
825	S362	-50.0	386.5
826	S361	-70.0	511.5
827	S360	-90.0	386.5
828	S359	-110.0	511.5
829	S358	-130.0	386.5
830	S357	-150.0	511.5
831	S356	-170.0	386.5
832	S355	-190.0	511.5
833	S354	-210.0	386.5
834	S353	-230.0	511.5
835	S352	-250.0	386.5
836	S351	-270.0	511.5
837	S350	-290.0	386.5
838	S349	-310.0	511.5
839	S348	-330.0	386.5
840	S347	-350.0	511.5
841	S346	-370.0	386.5
842	S345	-390.0	511.5
843	S344	-410.0	386.5
844	S343	-430.0	511.5
845	S342	-450.0	386.5
846	S341	-470.0	511.5
847	S340	-490.0	386.5
848	S339	-510.0	511.5
849	S338	-530.0	386.5
850	S337	-550.0	511.5

pad No	pad name	X	Y
851	S336	-570.0	386.5
852	S335	-590.0	511.5
853	S334	-610.0	386.5
854	S333	-630.0	511.5
855	S332	-650.0	386.5
856	S331	-670.0	511.5
857	S330	-690.0	386.5
858	S329	-710.0	511.5
859	S328	-730.0	386.5
860	S327	-750.0	511.5
861	S326	-770.0	386.5
862	S325	-790.0	511.5
863	S324	-810.0	386.5
864	S323	-830.0	511.5
865	S322	-850.0	386.5
866	S321	-870.0	511.5
867	S320	-890.0	386.5
868	S319	-910.0	511.5
869	S318	-930.0	386.5
870	S317	-950.0	511.5
871	S316	-970.0	386.5
872	S315	-990.0	511.5
873	S314	-1010.0	386.5
874	S313	-1030.0	511.5
875	S312	-1050.0	386.5
876	S311	-1070.0	511.5
877	S310	-1090.0	386.5
878	S309	-1110.0	511.5
879	S308	-1130.0	386.5
880	S307	-1150.0	511.5
881	S306	-1170.0	386.5
882	S305	-1190.0	511.5
883	S304	-1210.0	386.5
884	S303	-1230.0	511.5
885	S302	-1250.0	386.5
886	S301	-1270.0	511.5
887	S300	-1290.0	386.5
888	S299	-1310.0	511.5
889	S298	-1330.0	386.5
890	S297	-1350.0	511.5
891	S296	-1370.0	386.5
892	S295	-1390.0	511.5
893	S294	-1410.0	386.5
894	S293	-1430.0	511.5
895	S292	-1450.0	386.5
896	S291	-1470.0	511.5
897	S290	-1490.0	386.5
898	S289	-1510.0	511.5
899	S288	-1530.0	386.5
900	S287	-1550.0	511.5



**R61505U Pad Coordinate (Unit: μm)**

2007/04/09 rev1.21

pad No	pad name	X	Y
901	S286	-1570.0	386.5
902	S285	-1590.0	511.5
903	S284	-1610.0	386.5
904	S283	-1630.0	511.5
905	S282	-1650.0	386.5
906	S281	-1670.0	511.5
907	S280	-1690.0	386.5
908	S279	-1710.0	511.5
909	S278	-1730.0	386.5
910	S277	-1750.0	511.5
911	S276	-1770.0	386.5
912	S275	-1790.0	511.5
913	S274	-1810.0	386.5
914	S273	-1830.0	511.5
915	S272	-1850.0	386.5
916	S271	-1870.0	511.5
917	S270	-1890.0	386.5
918	S269	-1910.0	511.5
919	S268	-1930.0	386.5
920	S267	-1950.0	511.5
921	S266	-1970.0	386.5
922	S265	-1990.0	511.5
923	S264	-2010.0	386.5
924	S263	-2030.0	511.5
925	S262	-2050.0	386.5
926	S261	-2070.0	511.5
927	S260	-2090.0	386.5
928	S259	-2110.0	511.5
929	S258	-2130.0	386.5
930	S257	-2150.0	511.5
931	S256	-2170.0	386.5
932	S255	-2190.0	511.5
933	S254	-2210.0	386.5
934	S253	-2230.0	511.5
935	S252	-2250.0	386.5
936	S251	-2270.0	511.5
937	S250	-2290.0	386.5
938	S249	-2310.0	511.5
939	S248	-2330.0	386.5
940	S247	-2350.0	511.5
941	S246	-2370.0	386.5
942	S245	-2390.0	511.5
943	S244	-2410.0	386.5
944	S243	-2430.0	511.5
945	S242	-2450.0	386.5
946	S241	-2470.0	511.5
947	S240	-2490.0	386.5
948	S239	-2510.0	511.5
949	S238	-2530.0	386.5
950	S237	-2550.0	511.5

pad No	pad name	X	Y
951	S236	-2570.0	386.5
952	S235	-2590.0	511.5
953	S234	-2610.0	386.5
954	S233	-2630.0	511.5
955	S232	-2650.0	386.5
956	S231	-2670.0	511.5
957	S230	-2690.0	386.5
958	S229	-2710.0	511.5
959	S228	-2730.0	386.5
960	S227	-2750.0	511.5
961	S226	-2770.0	386.5
962	S225	-2790.0	511.5
963	S224	-2810.0	386.5
964	S223	-2830.0	511.5
965	S222	-2850.0	386.5
966	S221	-2870.0	511.5
967	S220	-2890.0	386.5
968	S219	-2910.0	511.5
969	S218	-2930.0	386.5
970	S217	-2950.0	511.5
971	S216	-2970.0	386.5
972	S215	-2990.0	511.5
973	S214	-3010.0	386.5
974	S213	-3030.0	511.5
975	S212	-3050.0	386.5
976	S211	-3070.0	511.5
977	S210	-3090.0	386.5
978	S209	-3110.0	511.5
979	S208	-3130.0	386.5
980	S207	-3150.0	511.5
981	S206	-3170.0	386.5
982	S205	-3190.0	511.5
983	S204	-3210.0	386.5
984	S203	-3230.0	511.5
985	S202	-3250.0	386.5
986	S201	-3270.0	511.5
987	S200	-3290.0	386.5
988	S199	-3310.0	511.5
989	S198	-3330.0	386.5
990	S197	-3350.0	511.5
991	S196	-3370.0	386.5
992	S195	-3390.0	511.5
993	S194	-3410.0	386.5
994	S193	-3430.0	511.5
995	S192	-3450.0	386.5
996	S191	-3470.0	511.5
997	S190	-3490.0	386.5
998	S189	-3510.0	511.5
999	S188	-3530.0	386.5
1000	S187	-3550.0	511.5

**R61505U Pad Coordinate (Unit: μm)**

2007/04/09 rev1.21

pad No	pad name	X	Y
1001	S186	-3570.0	386.5
1002	S185	-3590.0	511.5
1003	S184	-3610.0	386.5
1004	S183	-3630.0	511.5
1005	S182	-3650.0	386.5
1006	S181	-3670.0	511.5
1007	S180	-3690.0	386.5
1008	S179	-3710.0	511.5
1009	S178	-3730.0	386.5
1010	S177	-3750.0	511.5
1011	S176	-3770.0	386.5
1012	S175	-3790.0	511.5
1013	S174	-3810.0	386.5
1014	S173	-3830.0	511.5
1015	S172	-3850.0	386.5
1016	S171	-3870.0	511.5
1017	S170	-3890.0	386.5
1018	S169	-3910.0	511.5
1019	S168	-3930.0	386.5
1020	S167	-3950.0	511.5
1021	S166	-3970.0	386.5
1022	S165	-3990.0	511.5
1023	S164	-4010.0	386.5
1024	S163	-4030.0	511.5
1025	S162	-4050.0	386.5
1026	S161	-4070.0	511.5
1027	S160	-4090.0	386.5
1028	S159	-4110.0	511.5
1029	S158	-4130.0	386.5
1030	S157	-4150.0	511.5
1031	S156	-4170.0	386.5
1032	S155	-4190.0	511.5
1033	S154	-4210.0	386.5
1034	S153	-4230.0	511.5
1035	S152	-4250.0	386.5
1036	S151	-4270.0	511.5
1037	S150	-4290.0	386.5
1038	S149	-4310.0	511.5
1039	S148	-4330.0	386.5
1040	S147	-4350.0	511.5
1041	S146	-4370.0	386.5
1042	S145	-4390.0	511.5
1043	S144	-4410.0	386.5
1044	S143	-4430.0	511.5
1045	S142	-4450.0	386.5
1046	S141	-4470.0	511.5
1047	S140	-4490.0	386.5
1048	S139	-4510.0	511.5
1049	S138	-4530.0	386.5
1050	S137	-4550.0	511.5

pad No	pad name	X	Y
1051	S136	-4570.0	386.5
1052	S135	-4590.0	511.5
1053	S134	-4610.0	386.5
1054	S133	-4630.0	511.5
1055	S132	-4650.0	386.5
1056	S131	-4670.0	511.5
1057	S130	-4690.0	386.5
1058	S129	-4710.0	511.5
1059	S128	-4730.0	386.5
1060	S127	-4750.0	511.5
1061	S126	-4770.0	386.5
1062	S125	-4790.0	511.5
1063	S124	-4810.0	386.5
1064	S123	-4830.0	511.5
1065	S122	-4850.0	386.5
1066	S121	-4870.0	511.5
1067	S120	-4890.0	386.5
1068	S119	-4910.0	511.5
1069	S118	-4930.0	386.5
1070	S117	-4950.0	511.5
1071	S116	-4970.0	386.5
1072	S115	-4990.0	511.5
1073	S114	-5010.0	386.5
1074	S113	-5030.0	511.5
1075	S112	-5050.0	386.5
1076	S111	-5070.0	511.5
1077	S110	-5090.0	386.5
1078	S109	-5110.0	511.5
1079	S108	-5130.0	386.5
1080	S107	-5150.0	511.5
1081	S106	-5170.0	386.5
1082	S105	-5190.0	511.5
1083	S104	-5210.0	386.5
1084	S103	-5230.0	511.5
1085	S102	-5250.0	386.5
1086	S101	-5270.0	511.5
1087	S100	-5290.0	386.5
1088	S99	-5310.0	511.5
1089	S98	-5330.0	386.5
1090	S97	-5350.0	511.5
1091	S96	-5370.0	386.5
1092	S95	-5390.0	511.5
1093	S94	-5410.0	386.5
1094	S93	-5430.0	511.5
1095	S92	-5450.0	386.5
1096	S91	-5470.0	511.5
1097	S90	-5490.0	386.5
1098	S89	-5510.0	511.5
1099	S88	-5530.0	386.5
1100	S87	-5550.0	511.5

**R61505U Pad Coordinate (Unit: μm)**

2007/04/09 rev1.21

pad No	pad name	X	Y
1101	S86	-5570.0	386.5
1102	S85	-5590.0	511.5
1103	S84	-5610.0	386.5
1104	S83	-5630.0	511.5
1105	S82	-5650.0	386.5
1106	S81	-5670.0	511.5
1107	S80	-5690.0	386.5
1108	S79	-5710.0	511.5
1109	S78	-5730.0	386.5
1110	S77	-5750.0	511.5
1111	S76	-5770.0	386.5
1112	S75	-5790.0	511.5
1113	S74	-5810.0	386.5
1114	S73	-5830.0	511.5
1115	S72	-5850.0	386.5
1116	S71	-5870.0	511.5
1117	S70	-5890.0	386.5
1118	S69	-5910.0	511.5
1119	S68	-5930.0	386.5
1120	S67	-5950.0	511.5
1121	S66	-5970.0	386.5
1122	S65	-5990.0	511.5
1123	S64	-6010.0	386.5
1124	S63	-6030.0	511.5
1125	S62	-6050.0	386.5
1126	S61	-6070.0	511.5
1127	S60	-6090.0	386.5
1128	S59	-6110.0	511.5
1129	S58	-6130.0	386.5
1130	S57	-6150.0	511.5
1131	S56	-6170.0	386.5
1132	S55	-6190.0	511.5
1133	S54	-6210.0	386.5
1134	S53	-6230.0	511.5
1135	S52	-6250.0	386.5
1136	S51	-6270.0	511.5
1137	S50	-6290.0	386.5
1138	S49	-6310.0	511.5
1139	S48	-6330.0	386.5
1140	S47	-6350.0	511.5
1141	S46	-6370.0	386.5
1142	S45	-6390.0	511.5
1143	S44	-6410.0	386.5
1144	S43	-6430.0	511.5
1145	S42	-6450.0	386.5
1146	S41	-6470.0	511.5
1147	S40	-6490.0	386.5
1148	S39	-6510.0	511.5
1149	S38	-6530.0	386.5
1150	S37	-6550.0	511.5

pad No	pad name	X	Y
1151	S36	-6570.0	386.5
1152	S35	-6590.0	511.5
1153	S34	-6610.0	386.5
1154	S33	-6630.0	511.5
1155	S32	-6650.0	386.5
1156	S31	-6670.0	511.5
1157	S30	-6690.0	386.5
1158	S29	-6710.0	511.5
1159	S28	-6730.0	386.5
1160	S27	-6750.0	511.5
1161	S26	-6770.0	386.5
1162	S25	-6790.0	511.5
1163	S24	-6810.0	386.5
1164	S23	-6830.0	511.5
1165	S22	-6850.0	386.5
1166	S21	-6870.0	511.5
1167	S20	-6890.0	386.5
1168	S19	-6910.0	511.5
1169	S18	-6930.0	386.5
1170	S17	-6950.0	511.5
1171	S16	-6970.0	386.5
1172	S15	-6990.0	511.5
1173	S14	-7010.0	386.5
1174	S13	-7030.0	511.5
1175	S12	-7050.0	386.5
1176	S11	-7070.0	511.5
1177	S10	-7090.0	386.5
1178	S9	-7110.0	511.5
1179	S8	-7130.0	386.5
1180	S7	-7150.0	511.5
1181	S6	-7170.0	386.5
1182	S5	-7190.0	511.5
1183	S4	-7210.0	386.5
1184	S3	-7230.0	511.5
1185	S2	-7250.0	386.5
1186	S1	-7270.0	511.5
1187	TESTO35	-7290.0	386.5
1188	TESTO36	-7350.0	511.5
1189	VGLDMY3	-7370.0	386.5
1190	G320	-7390.0	511.5
1191	G318	-7410.0	386.5
1192	G316	-7430.0	511.5
1193	G314	-7450.0	386.5
1194	G312	-7470.0	511.5
1195	G310	-7490.0	386.5
1196	G308	-7510.0	511.5
1197	G306	-7530.0	386.5
1198	G304	-7550.0	511.5
1199	G302	-7570.0	386.5
1200	G300	-7590.0	511.5

**R61505U Pad Coordinate (Unit: μm)**

2007/04/09 rev1.21

pad No	pad name	X	Y
1201	G298	-7610.0	386.5
1202	G296	-7630.0	511.5
1203	G294	-7650.0	386.5
1204	G292	-7670.0	511.5
1205	G290	-7690.0	386.5
1206	G288	-7710.0	511.5
1207	G286	-7730.0	386.5
1208	G284	-7750.0	511.5
1209	G282	-7770.0	386.5
1210	G280	-7790.0	511.5
1211	G278	-7810.0	386.5
1212	G276	-7830.0	511.5
1213	G274	-7850.0	386.5
1214	G272	-7870.0	511.5
1215	G270	-7890.0	386.5
1216	G268	-7910.0	511.5
1217	G266	-7930.0	386.5
1218	G264	-7950.0	511.5
1219	G262	-7970.0	386.5
1220	G260	-7990.0	511.5
1221	G258	-8010.0	386.5
1222	G256	-8030.0	511.5
1223	G254	-8050.0	386.5
1224	G252	-8070.0	511.5
1225	G250	-8090.0	386.5
1226	G248	-8110.0	511.5
1227	G246	-8130.0	386.5
1228	G244	-8150.0	511.5
1229	G242	-8170.0	386.5
1230	G240	-8190.0	511.5
1231	G238	-8210.0	386.5
1232	G236	-8230.0	511.5
1233	G234	-8250.0	386.5
1234	G232	-8270.0	511.5
1235	G230	-8290.0	386.5
1236	G228	-8310.0	511.5
1237	G226	-8330.0	386.5
1238	G224	-8350.0	511.5
1239	G222	-8370.0	386.5
1240	G220	-8390.0	511.5
1241	G218	-8410.0	386.5
1242	G216	-8430.0	511.5
1243	G214	-8450.0	386.5
1244	G212	-8470.0	511.5
1245	G210	-8490.0	386.5
1246	G208	-8510.0	511.5
1247	G206	-8530.0	386.5
1248	G204	-8550.0	511.5
1249	G202	-8570.0	386.5
1250	G200	-8590.0	511.5

pad No	pad name	X	Y
1251	G198	-8610.0	386.5
1252	G196	-8630.0	511.5
1253	G194	-8650.0	386.5
1254	G192	-8670.0	511.5
1255	G190	-8690.0	386.5
1256	G188	-8710.0	511.5
1257	G186	-8730.0	386.5
1258	G184	-8750.0	511.5
1259	G182	-8770.0	386.5
1260	G180	-8790.0	511.5
1261	G178	-8810.0	386.5
1262	G176	-8830.0	511.5
1263	G174	-8850.0	386.5
1264	G172	-8870.0	511.5
1265	G170	-8890.0	386.5
1266	G168	-8910.0	511.5
1267	G166	-8930.0	386.5
1268	G164	-8950.0	511.5
1269	G162	-8970.0	386.5
1270	G160	-8990.0	511.5
1271	G158	-9010.0	386.5
1272	G156	-9030.0	511.5
1273	G154	-9050.0	386.5
1274	G152	-9070.0	511.5
1275	G150	-9090.0	386.5
1276	G148	-9110.0	511.5
1277	G146	-9130.0	386.5
1278	G144	-9150.0	511.5
1279	G142	-9170.0	386.5
1280	G140	-9190.0	511.5
1281	G138	-9210.0	386.5
1282	G136	-9230.0	511.5
1283	G134	-9250.0	386.5
1284	G132	-9270.0	511.5
1285	G130	-9290.0	386.5
1286	G128	-9310.0	511.5
1287	G126	-9330.0	386.5
1288	G124	-9350.0	511.5
1289	G122	-9370.0	386.5
1290	G120	-9390.0	511.5
1291	G118	-9410.0	386.5
1292	G116	-9430.0	511.5
1293	G114	-9450.0	386.5
1294	G112	-9470.0	511.5
1295	G110	-9490.0	386.5
1296	G108	-9510.0	511.5
1297	G106	-9530.0	386.5
1298	G104	-9550.0	511.5
1299	G102	-9570.0	386.5
1300	G100	-9590.0	511.5

**R61505U Pad Coordinate (Unit:  $\mu\text{m}$ )**

2007/04/09 rev1.21

pad No	pad name	X	Y
1301	G98	-9610.0	386.5
1302	G96	-9630.0	511.5
1303	G94	-9650.0	386.5
1304	G92	-9670.0	511.5
1305	G90	-9690.0	386.5
1306	G88	-9710.0	511.5
1307	G86	-9730.0	386.5
1308	G84	-9750.0	511.5
1309	G82	-9770.0	386.5
1310	G80	-9790.0	511.5
1311	G78	-9810.0	386.5
1312	G76	-9830.0	511.5
1313	G74	-9850.0	386.5
1314	G72	-9870.0	511.5
1315	G70	-9890.0	386.5
1316	G68	-9910.0	511.5
1317	G66	-9930.0	386.5
1318	G64	-9950.0	511.5
1319	G62	-9970.0	386.5
1320	G60	-9990.0	511.5
1321	G58	-10010.0	386.5
1322	G56	-10030.0	511.5
1323	G54	-10050.0	386.5
1324	G52	-10070.0	511.5
1325	G50	-10090.0	386.5
1326	G48	-10110.0	511.5
1327	G46	-10130.0	386.5
1328	G44	-10150.0	511.5
1329	G42	-10170.0	386.5
1330	G40	-10190.0	511.5
1331	G38	-10210.0	386.5
1332	G36	-10230.0	511.5
1333	G34	-10250.0	386.5
1334	G32	-10270.0	511.5
1335	G30	-10290.0	386.5
1336	G28	-10310.0	511.5
1337	G26	-10330.0	386.5
1338	G24	-10350.0	511.5
1339	G22	-10370.0	386.5
1340	G20	-10390.0	511.5
1341	G18	-10410.0	386.5
1342	G16	-10430.0	511.5
1343	G14	-10450.0	386.5
1344	G12	-10470.0	511.5
1345	G10	-10490.0	386.5
1346	G8	-10510.0	511.5
1347	G6	-10530.0	386.5
1348	G4	-10550.0	511.5
1349	G2	-10570.0	386.5
1350	VGLDMY4	-10590.0	511.5

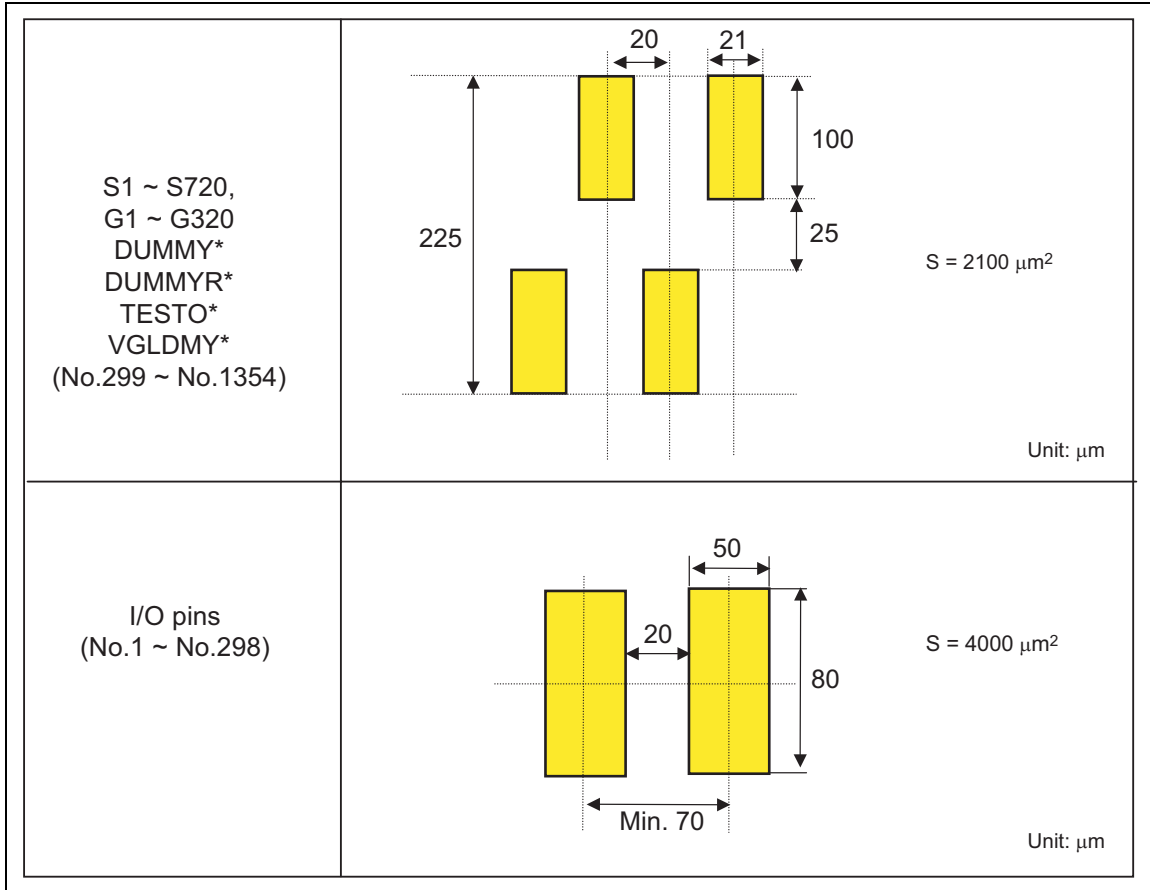
pad No	pad name	X	Y
1351	DUMMYR9	-10610.0	386.5
1352	DUMMYR10	-10630.0	511.5
1353	TESTO37	-10650.0	386.5
1354	TESTO38	-10670.0	511.5

**R61505U Pad Coordinate (Unit:  $\mu\text{m}$ )**

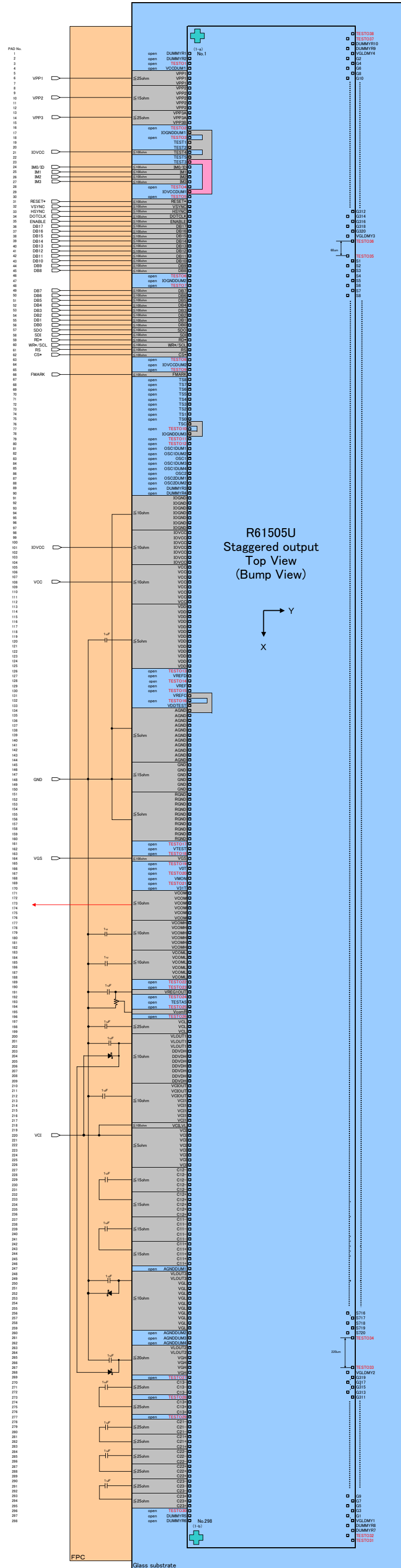
2007/04/09 rev1.21

Alignment mark	X	Y
1-a	-10613.0	-468.0
1-b	10613.0	-468.0

**BUMP arrangement**



**Figure 2**



Note: The wiring resistance is recommended values. It is desirable to set the resistance as small as possible.



## GRAM address map

Table 15 GRAM address and display position on the panel (SS = 0, BGR = 0)

S/G pin		S1	S2	S3	S4	S5	S6	S7	S8	S9	S10	S11	S12	.....	S709	S710	S711	S712	S713	S714	S715	S716	S717	S718	S719	S720
GS=0	GS=1	WD[17:0]			WD[17:0]			WD[17:0]			WD[17:0]			.....	WD[17:0]			WD[17:0]			WD[17:0]			WD[17:0]		
G1	G320	h00000			h00001			h00002			h00003			.....	h000EC			h000ED			h000EE			h000EF		
G2	G319	h00100			h00101			h00102			h00103			.....	h001EC			h001ED			h001EE			h001EF		
G3	G318	h00200			h00201			h00202			h00203			.....	h002EC			h002ED			h002EE			h002EF		
G4	G317	h00300			h00301			h00302			h00303			.....	h003EC			h003ED			h003EE			h003EF		
G5	G316	h00400			h00401			h00402			h00403			.....	h004EC			h004ED			h004EE			h004EF		
G6	G315	h00500			h00501			h00502			h00503			.....	h005EC			h005ED			h005EE			h005EF		
G7	G314	h00600			h00601			h00602			h00603			.....	h006EC			h006ED			h006EE			h006EF		
G8	G313	h00700			h00701			h00702			h00703			.....	h007EC			h007ED			h007EE			h007EF		
G9	G312	h00800			h00801			h00802			h00803			.....	h008EC			h008ED			h008EE			h008EF		
G10	G311	h00900			h00901			h00902			h00903			.....	h009EC			h009ED			h009EE			h009EF		
G11	G310	h00A00			h00A01			h00A02			h00A03			.....	h00AEC			h00AED			h00AEE			h00AEF		
G12	G309	h00B00			h00B01			h00B02			h00B03			.....	h00BEC			h00BED			h00BEE			h00BEF		
G13	G308	h00C00			h00C01			h00C02			h00C03			.....	h00CEC			h00CED			h00CEE			h00CEF		
G14	G307	h00D00			h00D01			h00D02			h00D03			.....	h00DEC			h00DED			h00DEE			h00DEF		
G15	G306	h00E00			h00E01			h00E02			h00E03			.....	h00EEC			h00EED			h00EEE			h00EEF		
G16	G305	h00F00			h00F01			h00F02			h00F03			.....	h00FEC			h00FED			h00FEE			h00FEF		
G17	G304	h01000			h01001			h01002			h01003			.....	h010EC			h010ED			h010EE			h010EF		
G18	G303	h01100			h01101			h01102			h01103			.....	h011EC			h011ED			h011EE			h011EF		
G19	G302	h01200			h01201			h01202			h01203			.....	h012EC			h012ED			h012EE			h012EF		
G20	G301	h01300			h01301			h01302			h01303			.....	h013EC			h013ED			h013EE			h013EF		
:	:	:			:			:			:			:	:			:			:			:		
G305	G16	h13000			h13001			h13002			h13003			.....	h130EC			h130ED			h130EE			h130EF		
G306	G15	h13100			h13101			h13102			h13103			.....	h131EC			h131ED			h131EE			h131EF		
G307	G14	h13200			h13201			h13202			h13203			.....	h132EC			h132ED			h132EE			h132EF		
G308	G13	h13300			h13301			h13302			h13303			.....	h133EC			h133ED			h133EE			h133EF		
G309	G12	h13400			h13401			h13402			h13403			.....	h134EC			h134ED			h134EE			h134EF		
G310	G11	h13500			h13501			h13502			h13503			.....	h135EC			h135ED			h135EE			h135EF		
G311	G10	h13600			h13601			h13602			h13603			.....	h136EC			h136ED			h136EE			h136EF		
G312	G9	h13700			h13701			h13702			h13703			.....	h137EC			h137ED			h137EE			h137EF		
G313	G8	h13800			h13801			h13802			h13803			.....	h138EC			h138ED			h138EE			h138EF		
G314	G7	h13900			h13901			h13902			h13903			.....	h139EC			h139ED			h139EE			h139EF		
G315	G6	h13A00			h13A01			h13A02			h13A03			.....	h13AEC			h13AED			h13AEE			h13AEF		
G316	G5	h13B00			h13B01			h13B02			h13B03			.....	h13BEC			h13BED			h13BEE			h13BEF		
G317	G4	h13C00			h13C01			h13C02			h13C03			.....	h13CEC			h13CED			h13CEE			h13CEF		
G318	G3	h13D00			h13D01			h13D02			h13D03			.....	h13DEC			h13DED			h13DEE			h13DEF		
G319	G2	h13E00			h13E01			h13E02			h13E03			.....	h13EEC			h13EED			h13EEE			h13EEF		
G320	G1	h13F00			h13F01			h13F02			h13F03			.....	h13FEC			h13FED			h13FEE			h13FEF		

**R61505U**

**Table 16 GRAM address and display position on the panel (SS = 1, BGR = 1)**

S/G pin		S720	S719	S718	S717	S716	S715	S714	S713	S712	S711	S710	S709	.....	S12	S11	S10	S9	S8	S7	S6	S5	S4	S3	S2	S1			
GS=0	GS=1	WD[17:0]			WD[17:0]			WD[17:0]			WD[17:0]			.....	WD[17:0]			WD[17:0]			WD[17:0]			WD[17:0]			WD[17:0]		
G1	G320	h00000			h00001			h00002			h00003			.....	h000EC			h000ED			h000EE			h000EF					
G2	G319	h00100			h00101			h00102			h00103			.....	h001EC			h001ED			h001EE			h001EF					
G3	G318	h00200			h00201			h00202			h00203			.....	h002EC			h002ED			h002EE			h002EF					
G4	G317	h00300			h00301			h00302			h00303			.....	h003EC			h003ED			h003EE			h003EF					
G5	G316	h00400			h00401			h00402			h00403			.....	h004EC			h004ED			h004EE			h004EF					
G6	G315	h00500			h00501			h00502			h00503			.....	h005EC			h005ED			h005EE			h005EF					
G7	G314	h00600			h00601			h00602			h00603			.....	h006EC			h006ED			h006EE			h006EF					
G8	G313	h00700			h00701			h00702			h00703			.....	h007EC			h007ED			h007EE			h007EF					
G9	G312	h00800			h00801			h00802			h00803			.....	h008EC			h008ED			h008EE			h008EF					
G10	G311	h00900			h00901			h00902			h00903			.....	h009EC			h009ED			h009EE			h009EF					
G11	G310	h00A00			h00A01			h00A02			h00A03			.....	h00AEC			h00AED			h00AEE			h00AEF					
G12	G309	h00B00			h00B01			h00B02			h00B03			.....	h00BEC			h00BED			h00BEE			h00BEF					
G13	G308	h00C00			h00C01			h00C02			h00C03			.....	h00CEC			h00CED			h00CEE			h00CEF					
G14	G307	h00D00			h00D01			h00D02			h00D03			.....	h00DEC			h00DED			h00DEE			h00DEF					
G15	G306	h00E00			h00E01			h00E02			h00E03			.....	h00EEC			h00EED			h00EEE			h00EEF					
G16	G305	h00F00			h00F01			h00F02			h00F03			.....	h00FEC			h00FED			h00FEE			h00FEF					
G17	G304	h01000			h01001			h01002			h01003			.....	h010EC			h010ED			h010EE			h010EF					
G18	G303	h01100			h01101			h01102			h01103			.....	h011EC			h011ED			h011EE			h011EF					
G19	G302	h01200			h01201			h01202			h01203			.....	h012EC			h012ED			h012EE			h012EF					
G20	G301	h01300			h01301			h01302			h01303			.....	h013EC			h013ED			h013EE			h013EF					
:	:	:			:			:			:			:	:			:			:			:			:		
G305	G16	h13000			h13001			h13002			h13003			.....	h130EC			h130ED			h130EE			h130EF					
G306	G15	h13100			h13101			h13102			h13103			.....	h131EC			h131ED			h131EE			h131EF					
G307	G14	h13200			h13201			h13202			h13203			.....	h132EC			h132ED			h132EE			h132EF					
G308	G13	h13300			h13301			h13302			h13303			.....	h133EC			h133ED			h133EE			h133EF					
G309	G12	h13400			h13401			h13402			h13403			.....	h134EC			h134ED			h134EE			h134EF					
G310	G11	h13500			h13501			h13502			h13503			.....	h135EC			h135ED			h135EE			h135EF					
G311	G10	h13600			h13601			h13602			h13603			.....	h136EC			h136ED			h136EE			h136EF					
G312	G9	h13700			h13701			h13702			h13703			.....	h137EC			h137ED			h137EE			h137EF					
G313	G8	h13800			h13801			h13802			h13803			.....	h138EC			h138ED			h138EE			h138EF					
G314	G7	h13900			h13901			h13902			h13903			.....	h139EC			h139ED			h139EE			h139EF					
G315	G6	h13A00			h13A01			h13A02			h13A03			.....	h13AEC			h13AED			h13AEE			h13AEF					
G316	G5	h13B00			h13B01			h13B02			h13B03			.....	h13BEC			h13BED			h13BEE			h13BEF					
G317	G4	h13C00			h13C01			h13C02			h13C03			.....	h13CEC			h13CED			h13CEE			h13CEF					
G318	G3	h13D00			h13D01			h13D02			h13D03			.....	h13DEC			h13DED			h13DEE			h13DEF					
G319	G2	h13E00			h13E01			h13E02			h13E03			.....	h13EEC			h13EED			h13EEE			h13EEF					
G320	G1	h13F00			h13F01			h13F02			h13F03			.....	h13FEC			h13FED			h13FEE			h13FEF					

### Instruction

#### Outline

The R61505U adopts 18-bit bus architecture in order to interface to high-performance microcomputer in high speed. The R61505U starts internal processing after storing control information (16, 8, 1 bit(s)), sent from the microcomputer, in the instruction register (IR) and the data register (DR). Since the internal operation of the R61505U is controlled by the signals sent from the microcomputer, the register selection signal (RS), the read/write signal (R/W), and the internal 16-bit data bus signals (IB15 ~ IB0) are called instruction. The following are the kinds of instruction of the R61505U.

1. Specify index
2. Display control
3. Power management control
4. Set internal GRAM address
5. Transfer data to and from the internal GRAM
6.  $\gamma$ -correction
7. Window address control
8. Panel Display Control

Normally, the instruction to write data is used the most often. The internal GRAM address is updated automatically as data is written to the internal GRAM, which, in combination with the window address function, contributes to minimizing data transfer and thereby lessens the load on the microcomputer. The R61505U writes instructions consecutively by executing the instruction within the cycle when it is written (instruction execution time: 0 cycle).

#### Instruction Data Format

As the following figure shows, the data bus used to transfer 16 instruction bits (IB[15:0]) is different according to the interface format. Make sure to transfer the instruction bits according to the format of the selected interface.

## R61505U

---

The following are detail descriptions of instruction bits (IB15-0). Note that the instruction bits IB[15:0] in the following figures are transferred according to the format of the selected interface.

### Index (IR)

R/W	RS	IB15	IB14	IB13	IB12	IB11	IB10	IB9	IB8	IB7	IB6	IB5	IB4	IB3	IB2	IB1	IB0
W	0	*	*	*	*	*	*	*	*	ID [7]	ID [6]	ID [5]	ID [4]	ID [3]	ID [2]	ID [1]	ID [0]

The index register specifies the index R00h to RFFh of the control register or RAM control to be accessed using a binary number from “0000\_0000” to “1111\_1111”. The access to the register and instruction bits in it is prohibited unless the index is specified in the index register.

### Display control

#### Device code read (R00h)

R/W	RS	IB15	IB14	IB13	IB12	IB11	IB10	IB9	IB8	IB7	IB6	IB5	IB4	IB3	IB2	IB1	IB0
R	1	0	0	0	1	0	1	0	1	0	0	0	0	0	1	0	1

The device code “1505”H is read out when reading out this register forcibly.

## R61505U

### Driver Output Control (R01h)

R/W	RS	IB15	IB14	IB13	IB12	IB11	IB10	IB9	IB8	IB7	IB6	IB5	IB4	IB3	IB2	IB1	IB0
W	1	0	0	0	0	0	SM	0	SS	0	0	0	0	0	0	0	0
Default value		0	0	0	0	0	0	0	0	0	0	0	0	0	0	0	0

**SS:** Sets the shift direction of output from the source driver.

When SS = "0", the source driver output shift from S1 to S720.

When SS = "1", the source driver output shift from S720 to S1.

The combination of SS and BGR settings determines the RGB assignment to the source driver pins S1 ~ S720.

When SS = "0" and BGR = "0", RGB dots are assigned one to one from S1 to S720.

When SS = "1" and BGR = "1", RGB dots are assigned one to one from S720 to S1.

When changing the SS and BGR bits, RAM data must be rewritten.

**SM:** Controls the scan mode in combination with GS setting. See "Scan mode setting".

### LCD Driving Wave Control (R02h)

R/W	RS	IB15	IB14	IB13	IB12	IB11	IB10	IB9	IB8	IB7	IB6	IB5	IB4	IB3	IB2	IB1	IB0
W	1	0	0	0	0	0	1	BC0	EOR	0	0	0	0	0	0	0	NW0
Default value		0	0	0	0	0	1	0	0	0	0	0	0	0	0	0	0

**NW0:** When line inversion waveform is selected (BC0=1), NW0 bit sets number of line, N, as alternating cycle of line inversion. Line inversion is operated every N+1 line cycle. NW0 bit can be set to 1 or 2.

**BC0:** Selects the liquid crystal drive waveform VCOM. See "Line Inversion AC Drive" for details.

BC0 = 0: frame inversion waveform is selected.

BC0 = 1: line inversion waveform is selected when EOR = 1.

In either liquid crystal drive method; the polarity inversion is halted in blank period (back and front porch periods).

**EOR:** Enables liquid-crystal line-inversion drive when EOR = 1 and BC0 = 1

## R61505U

---

### Entry Mode (R03h)

R/W	RS	IB15	IB14	IB13	IB12	IB11	IB10	IB9	IB8	IB7	IB6	IB5	IB4	IB3	IB2	IB1	IB0
W	1	TRIR EG	DFM	0	BGR	0	0	HWM	0	ORG	0	I/D [1]	I/D [0]	AM	0	0	0
Default value		0	0	0	0	0	0	0	0	0	0	1	1	0	0	0	0

The entry mode register includes instruction bits for setting how to write data from the microcomputer to the internal GRAM of the R61505U.

**AM:** Sets either horizontal or vertical direction in updating the address counter automatically as the R61505U writes data to the internal GRAM.

AM = "0", sets the horizontal direction.

AM = "1", sets the vertical direction.

When making a window address area, the data is written only within the area in the direction determined by I/D1-0, AM bits.

**I/D[1:0]:** Either increments (+1) or decrements (-1) the address counter (AC) automatically as the data is written to the GRAM. The I/D[0] bit sets either increment or decrement in horizontal direction (updates the address AD[7:0]). The I/D[1] bit sets either increment or decrement in vertical direction (updates the address AD[8:16]). The AM bit sets either horizontal or vertical direction in updating RAM address counter automatically when writing data to the internal RAM.

**ORG:** Moves the origin address according to the ID setting when a window address area is made. This function is enabled when writing data within the window address area using high-speed RAM write function. Also see Figure 3 and Figure 4.

ORG = 0: The origin address is not moved. In this case, specify the address to start write operation according to the GRAM address map within the window address area.

ORG = 1: The origin address "h00000" is moved according to the I/D[1:0] setting.

Notes: 1. When ORG = 1, only the origin address "h00000" can be set in the RAM address set registers (R20h, R21h).

2. In RAM read operation, make sure to set ORG = 0.

**HWM:** The R61505U writes data in high speed with low power consumption by setting HWM = 1. The data to be written within the window address area is buffered in order to write the data in units of horizontal lines. This can minimize the number of RAM access and the power consumption required in data write operation.

When HWM = 1, make sure to set AM = 0 (horizontal direction) and write the data in each horizontal line of the window address area at a time. If the data is not enough to rewrite the horizontal line of the window address area, the GRAM data in that line is not overwritten.

Notes: 1. The R61505U requires no dummy write operation in high-speed write operation.

2. When terminating RAM data write operation in the middle of the line and executing another instruction, the data in the buffer is cleared.

## R61505U

---

- When switching from high-speed RAM write operation to index write operation, wait at least 2 normal-write cycle periods ( $2 t_{cyew}$  periods).

**BGR:** Reverses the order from RGB to BGR in writing 18-bit pixel data in the GRAM.

BGR = 0: Write data in the order of RGB to the GRAM.

BGR = 1: Reverse the order from RGB to BGR in writing data to the GRAM.

### **BGR = 0**

D17	D16	D15	D14	D13	D12	D11	D10	D9	D8	D7	D6	D5	D4	D3	D2	D1	D0
R5	R4	R3	R2	R1	R0	G5	G4	G3	G2	G1	G0	B5	B4	B3	B2	B1	B0

### **BGR = 1**

D17	D16	D15	D14	D13	D12	D11	D10	D9	D8	D7	D6	D5	D4	D3	D2	D1	D0
B5	B4	B3	B2	B1	B0	G5	G4	G3	G2	G1	G0	R5	R4	R3	R2	R1	R0

**DFM:** In combination with the TRIREG setting, sets the format to develop 16-/8-bit data to 18-bit data when using either 16-bit or 8-bit bus interface. Make sure to set DFM = 0 when not transferring data via 16-bit or 8-bit interface.

**TRIREG:** Selects the format to transfer data bits via 16-bit or 8-bit interface.

In 8-bit interface operation,

TRIREG = 0: 16-bit RAM data is transferred in two transfers.

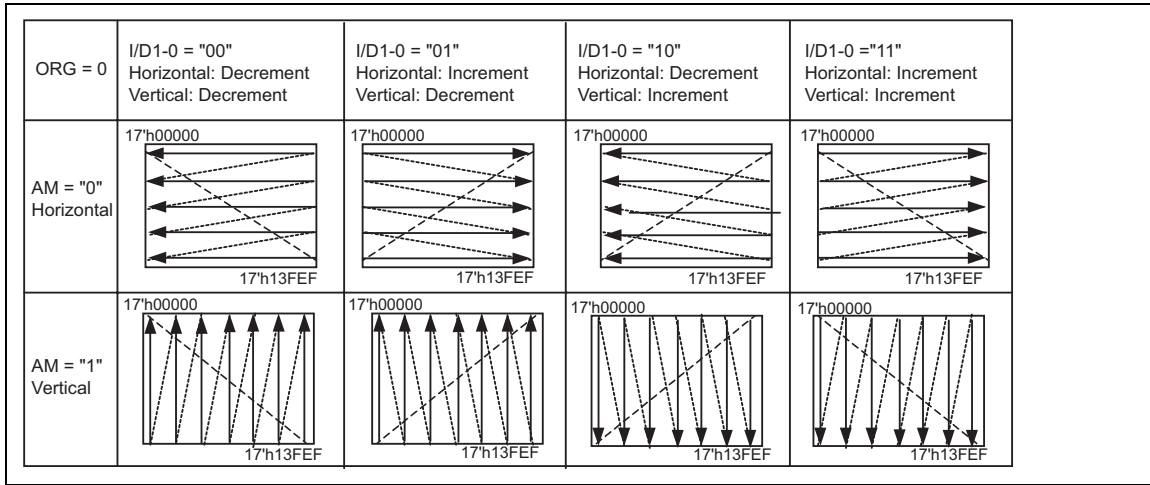
TRIREG = 1: 18-bit RAM data is transferred in three transfers.

In 16-bit bus interface operation,

TRIREG = 0: 16-bit RAM data is transferred in one transfer.

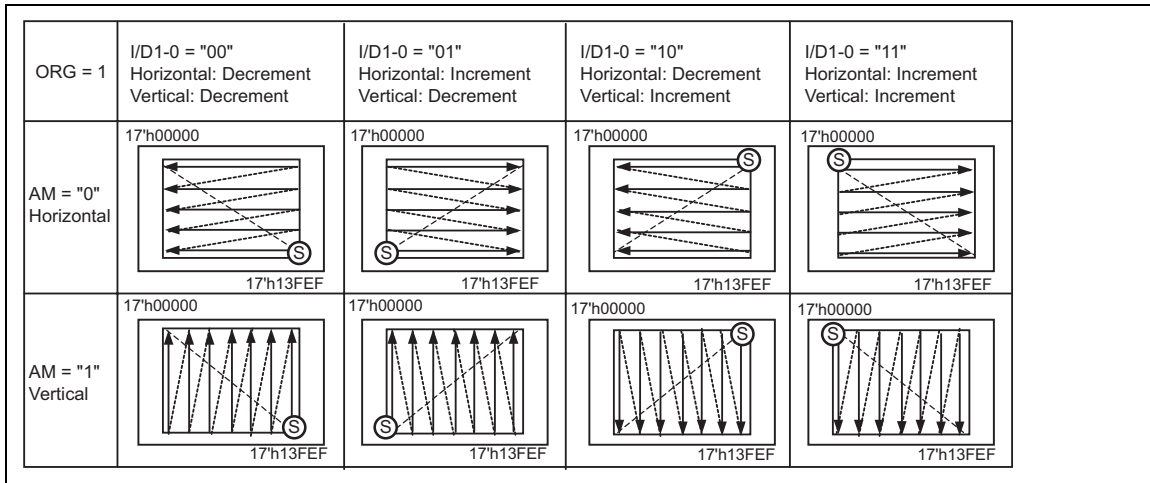
TRIREG = 1: 18-bit RAM data is transferred in two transfers.

Make sure TRIREG = 0 when not transferring data via 16-bit or 8-bit interface. Also, set TRIREG = 0 during read operation.



**Figure 3 Automatic address update (ORG = 0, AM, ID)**

Note: When writing data within the window address area with ORG = 0, any address within the window address area can be designated as the starting point of RAM write operation.



**Figure 4 Automatic address update (ORG = 1, AM, ID)**

- Notes:
- When ORG = 1, make sure to set the address "h00000" in the RAM address set registers (R210h, R21h). Setting other addresses is inhibited.
  - When ORG = 1, the starting point of writing data within the window address area can be set at either corner of the window address area ("S" in circle in the above figure).



## R61505U

### Resizing Control (R04h)

R/W	RS	IB15	IB14	IB13	IB12	IB11	IB10	IB9	IB8	IB7	IB6	IB5	IB4	IB3	IB2	IB1	IB0
W	1	0	0	0	0	0	0	RCV [1]	RCV [0]	0	0	RCH [1]	RCH [0]	0	0	RSZ [1]	RSZ [0]
Default value		0	0	0	0	0	0	0	0	0	0	0	0	0	0	0	0

**RSZ[1:0]:** Sets the resizing factor. When the RSZ bits are set for resizing, the R61505U writes the data according to the resizing factor so that the original image is displayed in horizontal and vertical dimensions contracted according to the factor. See “Resizing function”.

**RCH[1:0]:** Sets the number of pixels made as the remainder in horizontal direction when resizing a picture. By specifying the number of remainder pixels with RCH bits, the data can be transferred without taking the remainder pixels into consideration. Make sure that  $RCH = 2^h0$  when not using the resizing function ( $RSZ = 2^h0$ ) or there are no remainder pixels.

**RCV[1:0]:** Sets the number of pixels made as the remainder in vertical direction when resizing a picture. By specifying the number of remainder pixels with the RCV bits, the data can be transferred without taking the remainder pixels into consideration. Make sure that  $RCV = 2^h0$  when not using the resizing function ( $RSZ = 2^h0$ ).

**Table 17 Resizing factor (RSR)**

RSZ [1:0]	Resizing Scale
2'h0	No resizing (x1)
2'h1	x 1/2
2'h2	Setting inhibited
2'h3	x 1/4

**Table 18 Remainder Pixels in Horizontal Direction (RCH)**

RCH [1:0]	Number of remainder Pixels in Horizontal Direction
2'h0	0 pixel
2'h1	1 pixel
2'h2	2 pixels
2'h3	3 pixels

Note: 1 pixel = 1RGB

**Table 19 Remainder Pixels in Vertical Direction (RCV)**

RCV [1:0]	Number of remainder Pixels in Vertical Direction
2'h0	0 pixel
2'h1	1 pixel
2'h2	2 pixels
2'h3	3 pixels

Note: 1 pixel = 1RGB

## R61505U

### Display Control 1 (R07h)

R/W	RS	IB15	IB14	IB13	IB12	IB11	IB10	IB9	IB8	IB7	IB6	IB5	IB4	IB3	IB2	IB1	IB0
W	1	0	0	PTDE [1]	PTDE [0]	0	0	0	BASE E	0	VON	GON	DTE	COL	0	D [1]	D [0]
Default value		0	0	0	0	0	0	0	0	0	0	0	0	0	0	0	0

**D[1:0]:** A graphics display is turned on when writing D1 = “1”, and is turned off when writing D1 = “0”. When writing D1 = “0”, the graphics display data is retained in the internal GRAM and the R61505U displays the data when writing D1 = “1”. When D1 = “0”, i.e. while no display is shown on the panel, all source outputs becomes the GND level to reduce charging/discharging current, which is generated within the LCD while driving liquid crystal with AC voltage.

When the display is turned off by setting D1-0 = 2'b01, the R61505U continues internal display operation. When the display is turned off by setting D1-0 = 2'b00, the R61505U's internal display operation is halted completely. In combination with the GON setting, the D[1:0] setting controls display ON/OFF. For details, see “Instruction Setting”.

**Table 20 Source output level and display operation**

D[1:0]	BASEE	Source Output (S1-720)	FMARK signal	Internal Operation
2'h0	*	GND	Halt	Halt
2'h1	*	GND	Operation	Operation
2'h2	*	Non-lit display	Operation	Operation
2'h3	0	Non-lit display	Operation	Operation
	1	Base-image display	Operation	Operation

Notes: 1: The data write operation from the microcomputer is not affected by the D[1:0] setting.

2: The PTS bits set the source output level for “Non-lit display”.

3: The LCD drive level during non-lit display period is determined by NDL setting.

**COL:** When COL = 1, 30 grayscale amplifiers other than V0 and V30 halt to display using less power. When setting 8-color display mode, follow the sequence of 8-color display mode setting.

**Table 21**

COL	Operating amplifier	Display color
0	32	262,144
1	2	8

Note: When COL = 1, do not write the data corresponding to the grayscales, for which the operation of amplifier is halted.

## R61505U

---

**GON, DTE:** The combination of GON and DTE settings set the output level form gate lines (G1 ~ G320). When GON = 0, the VCOM output level becomes the GND level.

**Table 22**

APE	GON	DTE	G1~G320
0	*	*	VGL (= GND)
	0	0	VGH
1	0	1	VGH
	1	0	VGL
	1	1	VGH/VGL

**VON:** Controls VCOMH, VCOML, VCOM amplitude signal output.

**Table 23**

APE	AP[1:0]	VON	VCOM output
0	*	*	GND
	0	0	GND
1	0	1	Setting disabled
	1 ~ 3	0	GND
	1 ~ 3	1	VCOMH/VCOML

**BASEE:** Base image display enable bit.

BASEE = 0: No base image is displayed. The R61505U drives liquid crystal with non-lit display level or drives only partial image display areas.

BASEE = 1: A base image is displayed on the screen.

The D[1:0] setting has precedence over the BASEE setting.

**PTDE[1:0]:** PTDE[0] is the display enable bit of partial image 1. PTDE[1] is the display enable bit of partial image 2. When PTDE1/0 = 0, the partial image is turned off and only base image is displayed on the screen. When PTDE1/0 = 1, the partial image is displayed on the screen. In this case, turn off the base image by setting BASEE = 0.

## R61505U

### Display Control 2 (R08h)

R/W	RS	IB15	IB14	IB13	IB12	IB11	IB10	IB9	IB8	IB7	IB6	IB5	IB4	IB3	IB2	IB1	IB0
W	1	0	0	0	0	FP [3]	FP [2]	FP [1]	FP [0]	0	0	0	0	BP [3]	BP [2]	BP [1]	BP [0]
Default value		0	0	0	0	1	0	0	0	0	0	0	0	1	0	0	0

**FP [3:0]:** Sets the number of lines for a front porch period (a blank period following the end of display).

**BP [3:0]:** Sets the number of lines for a back porch period (a blank period made before the beginning of display).

In external display interface operation, a back porch (BP) period starts on the falling edge of the VSYNC signal and the display operation starts after the back porch period. A blank period will start after a front porch (FP) period and it will continue until next VSYNC input is detected.

Note to Setting BP and FP

Set the BP and FP bits as follows in respective operation modes.

**Table 24 BP and FP Settings**

Internal clock operation mode	BP ≥ 2 lines	FP ≥ 2 lines	FP + BP ≤ 16 lines
RGB interface operation	BP ≥ 2 lines	FP ≥ 2 lines	FP + BP ≤ 16 lines
VSYNC interface operation	BP ≥ 2 lines	FP ≥ 2 lines	FP + BP = 16 lines

**Table 25 Front and Back Porch period (Line periods)**

FP[3:0] BP[3:0]	Front and Back Porch period (Line periods)
4'h0	Setting inhibited
4'h1	Setting inhibited
4'h2	2 lines
4'h3	3 lines
4'h4	4 lines
4'h5	5 lines
4'h6	6 lines
4'h7	7 lines
4'h8	8 lines
4'h9	9 lines
4'hA	10 lines
4'hB	11 lines
4'hC	12 lines
4'hD	13 lines
4'hE	14 lines
4'hF	Setting inhibited

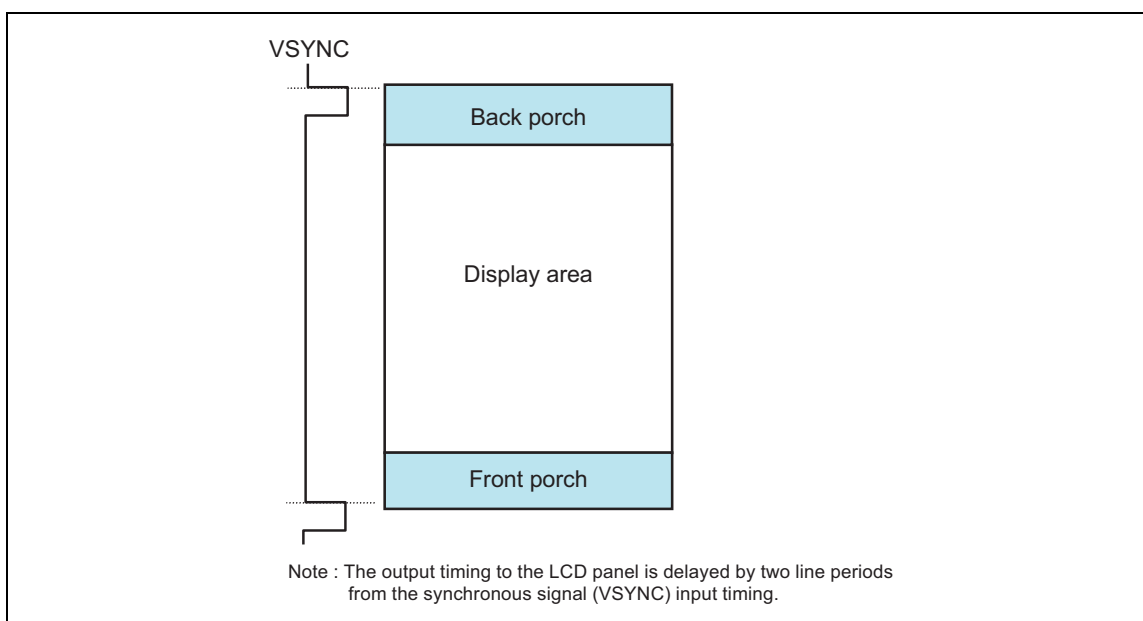


Figure 5 Front and Back Porch periods

## Display Control 3 (R09h)

R/W	RS	IB15	IB14	IB13	IB12	IB11	IB10	IB9	IB8	IB7	IB6	IB5	IB4	IB3	IB2	IB1	IB0
W	1	0	0	0	0	0	PTS [2]	PTS [1]	PTS [0]	0	0	PTG [1]	PTG [0]	ISC [3]	ISC [2]	ISC [1]	ISC [0]
Default value		0	0	0	0	0	0	0	0	0	0	0	0	0	0	0	0

**ISC [3:0]:** Set the scan cycle when PTG[1:0] selects interval scan in non-display area drive period. The scan cycle is defined by n frame periods, where n is an odd number from 3 to 31. The polarity of liquid crystal drive voltage from the gate driver is inverted in the same timing as the interval scan cycle.

Table 26

ISC[3:0]	Scan cycle	Time for interval when (fFLM) = 60Hz	ISC[3:0]	Scan cycle	Time for interval when (fFLM) = 60Hz
4'h0	Setting disabled	-	4'h8	17 frames	284ms
4'h1	3 frames	50ms	4'h9	19 frames	317ms
4'h2	5 frames	84ms	4'hA	21 frames	351ms
4'h3	7 frames	117ms	4'hB	23 frames	384ms
4'h4	9 frames	150ms	4'hC	25 frames	418ms
4'h5	11 frames	184ms	4'hD	27 frames	451ms
4'h6	13 frames	217ms	4'hE	29 frames	484ms
4'h7	15 frames	251ms	4'hF	31 frames	518ms

## R61505U

**PTG[1:0]:** Sets the scan mode in non-display area. The scan mode selected by PTG[1:0] bits is applied in the non-display area when the base image is turned off and the non-display area other than the first and second partial display areas.

**Table 27**

PTG[1]	PTG[0]	Scan mode in non-display area	Source output level in non-display area	VCOM output
0	0	Normal scan	PTS[2:0] setting	VCOMH/VCOML amplitude
0	1	Setting disabled	-	-
1	0	Interval scan	PTS[2:0] setting	VCOMH/VCOML amplitude
1	1	Setting disabled	-	-

Note: Select frame-inversion AC drive when interval scan is selected.

**PTS[2:0]:** Sets the source output level in non-display area drive period. When PTS[2] = 1, the operation of amplifiers which generates the grayscales other than V0 and V31 are halted and the step-up clock frequency becomes half the normal frequency in non-display drive period in order to reduce power consumption.

**Table 28 Source output level and voltage generating operation in non-display drive period**

PTS[2:0]	Source output level		Grayscale amplifier in operation	Step-up clock frequency
	Positive polarity	Negative polarity		
3'h0	V31	V0	V0 to V31	Register setting (DC0, DC1)
3'h1	Setting inhibited	Setting inhibited	-	-
3'h2	GND	GND	V0 to V31	Register setting (DC0, DC1)
3'h3	Hi-Z	Hi-Z	V0 to V31	Register setting (DC0, DC1)
3'h4	V31	V0	V0 and V31	1/2 the frequency set by DC0, DC1
3'h5	Setting inhibited	Setting inhibited	-	-
3'h6	GND	GND	V0 and V31	1/2 the frequency set by DC0, DC1
3'h7	Hi-Z	Hi-Z	V0 and V31	1/2 the frequency set by DC0, DC1

- Notes:
1. The power efficiency improved by halting grayscale amplifiers and slowing down the step-up clock frequency can be obtained in non-display drive period.
  2. The gate output level in non-display drive period is controlled by the PTG setting (off-scan mode).

## R61505U

### Display Control 4 (R0Ah)

R/W	RS	IB15	IB14	IB13	IB12	IB11	IB10	IB9	IB8	IB7	IB6	IB5	IB4	IB3	IB2	IB1	IB0
W	1	0	0	0	0	0	0	0	0	0	0	0	0	FMARKOE	FMI[2]	FMI[1]	FMI[0]
Default value		0	0	0	0	0	0	0	0	0	0	0	0	0	0	0	0

**FMI[2:0]:** Sets the output interval of FMARK signal according to the display data rewrite cycle and data transfer rate.

**FMARKOE:** When FMARKOE = 1, the R61505U starts outputting FMARK signal from the FMARK pin in the output interval set by FMI[2:0] bits. See [FMARK Interface](#) for details.

**Table 29**

FMI[2]	FMI[1]	FMI[0]	Output interval
0	0	0	1 frame
0	0	1	2 frames
0	1	1	4 frames
1	0	1	6 frames
Other settings			Setting disabled

### External Display Interface Control 1 (R0Ch)

R/W	RS	IB15	IB14	IB13	IB12	IB11	IB10	IB9	IB8	IB7	IB6	IB5	IB4	IB3	IB2	IB1	IB0
W	1	0	ENC[2]	ENC[1]	ENC[0]	0	0	0	RM	0	0	DM[1]	DM[0]	0	0	RIM[1]	RIM[0]
Default value		0	0	0	0	0	0	0	0	0	0	0	0	0	0	0	0

**RIM[1:0]:** Sets the interface format when RGB interface is selected by RM and DM bits. Set RIM[1:0] bits before starting display operation via RGB interface. Do not change the setting while the R61505U performs display operation.

**Table 30 RGB interface operation**

RIM[1:0]	RGB Interface operation	Colors
2'h0	18-bit RGB interface (1 transfer/pixel) via DB17-0	262,144
2'h1	16-bit RGB interface (1 transfer/pixel) via DB17-13 and DB11-1	65,536
2'h2	6-bit RGB interface (3 transfers/pixel) via DB17-12	262,144
2'h3	Setting inhibited	-

Notes: 1: Instruction bits are set via system interface.

2: Transfer the RGB dot data one by one in synchronization with DOTCLK in 6-bit RGB interface operation.

## R61505U

---

**DM[1:0]:** Selects the interface for the display operation. The DM[1:0] setting allows switching between internal clock operation mode and external display interface operation mode. However, switching between the RGB interface operation mode and the VSYNC interface operation mode is prohibited.

**Table 31 Display Interface**

<b>DM[1:0]</b>	<b>Display Interface</b>
2'h0	Internal clock operations
2'h1	RGB interface
2'h2	VSYNC interface
2'h3	Setting inhibited

**RM:** Selects the interface for RAM access operation. RAM access is possible only via the interface selected by the RM bit. Set RM = 1 when writing display data via RGB interface. When RM = 0, it is possible to write data via system interface while performing display operation via RGB interface.

**Table 32 RAM Access Interface**

<b>RM</b>	<b>RAM Access Interface</b>
0	System interface/VSYNC interface
1	RGB interface

**ENC[2:0]:** Sets the RAM write cycle via RGB interface.

**Table 25 RAM Write Cycle**

<b>ENC[2:0]</b>	<b>RAM Write Cycle (frame periods)</b>
3'h0	1 frame
3'h1	2 frames
3'h2	3 frames
3'h3	4 frames
3'h4	5 frames
3'h5	6 frames
3'h6	7 frames
3'h7	8 frames



## R61505U

---

### Frame Marker Position (R0Dh)

R/W	RS	IB15	IB14	IB13	IB12	IB11	IB10	IB9	IB8	IB7	IB6	IB5	IB4	IB3	IB2	IB1	IB0
W	1	0	0	0	0	0	0	0	FMP [8]	FMP [7]	FMP [6]	FMP [5]	FMP [4]	FMP [3]	FMP [2]	FMP [1]	FMP [0]
Default value		0	0	0	0	0	0	0	0	0	0	0	0	0	0	0	0

**FMP[8:0]:** Sets the output position of frame cycle signal (frame marker). When FMP[8:0] = 9'h000, a high-active pulse FMARK is outputted at the start of back porch period for 1H period (IOVCC-IOGND amplitude signal). FMARK can be used as the trigger signal for frame synchronous write operation. See [FMARK Interface](#) for details.

Make sure the setting restriction  $9'h000 \leq \text{FMP} \leq \text{BP} + \text{NL} + \text{FP}$ .

**Table 33**

FMP[8:0]	FMARK output position
9'h000	0 <sup>th</sup> line
9'h001	1 <sup>st</sup> line
9'h002	2 <sup>nd</sup> line
:	:
9'h14E	334 <sup>th</sup> line
9'h14F	335 <sup>th</sup> line
9'h150~1FF	Setting disabled

## R61505U

---

### VCOM Low Power Control (R0Eh)

R/W	RS	IB15	IB14	IB13	IB12	IB11	IB10	IB9	IB8	IB7	IB6	IB5	IB4	IB3	IB2	IB1	IB0
W	1	0	0	0	0	0	0	0	0	0	0	0	VEM [0]	0	0	0	0
Default value		0	0	0	0	0	0	0	0	0	0	0	0	0	0	0	0

**VEM [0]**: VCOM equalize function control bit.

When VEM [0]="1", VCOM connect to GND when switching to VCOMH to VCOML (VCOMH → GND → VCOML).

Adjust VCOM equalize period by setting VEQWI[2:0] (R93h) after setting VEM[0]=1.

Less power is consumed when VCOM equalize function is used compared with normal VCOM drive.  
Check image quality and effectiveness of the function.

Make sure that VCI<VCOMH and GND>VCOML.

**Table 34**

VEM[0]	Operation
1'h0	Normal VCOM drive
1'h1	Equalize VCOML (VCOMH→VCOML)

Note: This function is disabled when RGB interface is selected.

## R61505U

---

### External Display Interface Control 2 (R0Fh)

R/W	RS	IB15	IB14	IB13	IB12	IB11	IB10	IB9	IB8	IB7	IB6	IB5	IB4	IB3	IB2	IB1	IB0
W	1	0	0	0	0	0	0	0	0	0	0	0	VSPL	HSPL	0	EPL	DPL
Default value		0	0	0	0	0	0	0	0	0	0	0	0	0	0	0	0

**DPL:** Sets the signal polarity of DOTCLK pin.

DPL = 0: input data on the rising edge of DOTCLK

DPL = 1: input data on the falling edge of DOTCLK

**EPL:** Sets the signal polarity of ENABLE pin.

EPL = 0: writes data DB17-0 when ENABLE = "0" and disables data write operation when ENABLE = "1".

EPL = 1: writes data DB17-0 when ENABLE = "1" and disables data write operation when ENABLE = "0".

**HSPL:** Sets the signal polarity of HSYNC pin.

HSPL = 0: low active

HSPL = 1: high active

**VSPL:** Sets the signal polarity of VSYNC pin.

VSPL = 0: low active

VSPL = 1: high active

## R61505U

---

### Power control

#### Power Control 1 (R10h)

R/W	RS	IB15	IB14	IB13	IB12	IB11	IB10	IB9	IB8	IB7	IB6	IB5	IB4	IB3	IB2	IB1	IB0
W	1	0	SAP [1]	SAP [0]	SAP	0	BT [2]	BT [1]	BT [0]	APE	AP [2]	AP [1]	AP [0]	0	DSTB	SLP	0
Default value		0	0	0	0	0	0	0	0	0	0	0	0	0	0	0	0

**SLP:** When SLP = 1, the R61505U enters the sleep mode. In sleep mode, the internal display operation except RC oscillation is halted to reduce power consumption. No change to the GRAM data and instruction setting is accepted and the GRAM data and the instruction setting are maintained in sleep mode.

**DSTB:** When DSTB = 1, the R61505U enters the deep standby mode. In deep standby mode, the internal logic power supply is turned off to reduce power consumption. The GRAM data and instruction setting are not maintained when the R61505U enters the deep standby mode, and they must be reset after exiting deep standby mode.

**AP[2:0]:** Adjusts the constant current in the operational amplifier circuit in the LCD power supply circuit. The larger constant current enhances the drivability of the LCD, but it also increases the current consumption. Adjust the constant current taking the trade-off into account between the display quality and the current consumption. In no-display period, set AP[2:0] = 3'h0 to halt the operational amplifier circuits and the step-up circuits to reduce current consumption.

**Table 35 Constant current in amplifier in LCD power supply**

AP[2:0]	LCD power supply circuits
3'h0	Halt operation
3'h1	Setting disabled
3'h2	Setting disabled
3'h3	1
3'h4	Setting disabled
3'h5	Setting disabled
3'h6	Setting disabled
3'h7	1.60

Note: In this table, the constant current in operational amplifiers is the ratio to the constant current when AP[2:0] is set to 3'h3.

## R61505U

**APE:** Liquid crystal power supply enable bit. Set APE = 1 and follow the sequence when starting up the liquid crystal power supply.

**Table 36**

APE	Liquid crystal power supply circuit	Grayscale voltage generating circuit
0	Halt	Halt
1	Operate	Operate

**BT[2:0]:** Sets the factor used in the step-up circuits. Select the optimal step-up factor for the operating voltage. To reduce power consumption, set a smaller factor.

**Table 37 Step up factor and output voltage level**

BT[2:0]	DDVDH	VCL	VGH	VGL	Capacitor connection pin (see note 4)
3'h0	VCI1 x 2 [x 2]	-VCI1 [x -1]	DDVDH x 3 [x 6]	-(VCI1+DDVDH x 2) [x -5]	C23± may be omitted.
3'h1			DDVDH x 4 [x 8]	-(DDVDH x 2) [x -4]	
3'h2				-(VCI1+DDVDH) [x -3]	
3'h3			VCI1+DDVDH x 3 [x 7]	-(VCI1+DDVDH x 2) [x -5]	
3'h4				-(DDVDH x 2) [x -4]	
3'h5				-(VCI1+DDVDH) [x -3]	
3'h6			DDVDH x 3 [x 6]	-(DDVDH x 2) [x -4]	C23± may be omitted.
3'h7				-(VCI1+DDVDH) [x -3]	C23± may be omitted.

- Notes:
1. The step-up factor from VCI1 is shown in the brackets [ ].
  2. Connect capacitors where required when using DDVDH, VGH, VGL and VCL voltages.
  3. Set the following voltages within the respective ranges:  
DDVDH = 6.0V (max.)  
VGH = 20.0V (max.)  
VGL = -13.5V (max.)  
VCL = -3.0V(max.)
  4. Connect capacitors according to "Specifications of Power-supply Circuit External Elements". In this case, comments should be preceded.

**SAP:** The grayscale voltage generating circuit is halted by setting SAP = 0. Grayscale voltages are generated when SAP = 1. When starting the operation of LCD power supply circuit in Power ON operation and so on, make sure SAP = 0. Set SAP = 1, after starting up the LCD power supply circuit.

**SAP[1:0]:** Adjusts constant current in the grayscale voltage generating circuit. Note that VC and AP bits must be taken into consideration when setting SAP[1:0] bit:

When VC=3'h7, set AP[2:0]=3'h3 and SAP[1:0]=2'h0

When VC ≠ 3'h7, set AP[2:0]=3'h7, SAP[1:0]=2'h3

## R61505U

---

### Power Control 2 (R11h)

R/W	RS	IB15	IB14	IB13	IB12	IB11	IB10	IB9	IB8	IB7	IB6	IB5	IB4	IB3	IB2	IB1	IB0
W	1	0	0	0	0	0	DC1 [2]	DC1 [1]	DC1 [0]	0	DC0 [2]	DC0 [1]	DC0 [0]	0	VC [2]	VC [1]	VC [0]
Default value		0	0	0	0	0	1	1	0	0	1	1	0	0	0	0	0

**Table 38** step-up frequency (Step-up Circuit 1)

DC0[2:0]	Step-up circuit 1: step-up frequency ( $f_{\text{DCDC1}}$ )
3'h0	fosc
3'h1	fosc / 2
3'h2	fosc / 4
3'h3	fosc / 8
3'h4	fosc / 16
3'h5	Setting inhibited
3'h6	Halt Step-up circuit 1
3'h7	Setting inhibited

Note 1: Make sure the DC0, DC1 setting restriction:  $f_{\text{DCDC1}} \geq f_{\text{DCDC2}}$ .

Note 2: fosc: RC oscillation frequency.

**Table 39** step-up frequency (Step-up Circuit 2)

DC1[2:0]	Step-up circuit 2: step-up frequency ( $f_{\text{DCDC2}}$ )
3'h0	fosc / 16
3'h1	fosc / 32
3'h2	fosc / 64
3'h3	fosc / 128
3'h4	fosc / 256
3'h5	Setting inhibited
3'h6	Halt Step-up circuit 2
3'h7	Setting inhibited

## R61505U

---

**Table 40 VCIOUT output level**

VC[2:0]	VCIOUT (Reference Voltage) (VCI1 Voltage)
3'h0	0.94 x VCILVL
3'h1	0.89 x VCILVL
3'h2	0.84 x VCILVL
3'h3	Setting inhibited
3'h4	Setting inhibited
3'h5	Setting inhibited
3'h6	0.7 x VCILVL Note 3
3'h7	1.00 x VCILVL Note 4

Note 3: This setting is allowed only during the power ON sequence. However, when the electrical potential VCI is directly applied to VCI1 pin (connected on the substrate), setting VC=3'h6 is inhibited. See [Power supply Instruction Setting](#) for detail.

Note 4: When VC=3'h7, set AP[2:0]=3'h3 and SAP[1:0]=2'h0. When VC≠3'h7, AP[2:0]=3'h7 and SAP[1:0]=2'h3.

## R61505U

### Power Control 3 (R12h)

R/W	RS	IB15	IB14	IB13	IB12	IB11	IB10	IB9	IB8	IB7	IB6	IB5	IB4	IB3	IB2	IB1	IB0
W	1	0	0	0	0	0	0	0	VCM R[0]	VRE G1R	0	PSON	PON	VRH [3]	VRH [2]	VRH [1]	VRH [0]
Default value		0	0	0	0	0	0	0	0	0	0	0	0	0	0	0	0

**VRH[3:0]:** Sets the factor to generate VREG1OUT from VCILVL.

**Table 41 VREG1OUT**

VRH	VREG1OUT Voltage (External Reference Electric potential; VCILVL)	VREG1OUT Voltage (Internal Reference Electric Potential; VCIR)
4'h0 ~ 4'h3	Halt (Hiz)	Halt (Hiz)
4'h4 ~ 4'h7	Setting inhibited	Setting inhibited
4'h8	$VCILVL \times 1.60$	$2.5V \times 1.60 = 4.00V$
4'h9	$VCILVL \times 1.65$	$2.5V \times 1.65 = 4.13V$
4'hA	$VCILVL \times 1.70$	$2.5V \times 1.70 = 4.25V$
4'hB	$VCILVL \times 1.75$	$2.5V \times 1.75 = 4.38V$
4'hC	$VCILVL \times 1.80$	$2.5V \times 1.80 = 4.50V$
4'hD	$VCILVL \times 1.85$	$2.5V \times 1.85 = 4.63V$
4'hE	$VCILVL \times 1.90$	$2.5V \times 1.90 = 4.75V$
4'hF	Setting inhibited	Setting inhibited

Note: Make sure the VC and VRH setting restrictions:  $VREG1OUT \leq (DDVDH-0.5)V$ .

**PON:** Controls the operation to generate VLOUT3. In setting the PON bit, follows the power-supply startup sequence.

PON = 0: Halts the step-up operation to generate VLOUT3.

PON = 1: Starts the step-up operation to generate VLOUT3.

**PSON:** Power supply ON bit. When turning on the power supply, set PSE = 1 first and then set PSON = 1 to start internal power supply operation.

**VREG1R:** Set reference voltage to generate VREG1OUT.

**Table 42**

VREG1R	reference voltage for VREG1OUT
0 (Default Value)	VCILVL (External)
1	VCIR (Internal Reference Voltage)



## R61505U

---

**VCMR[0]:** Selects either external resistance (VCOMR pin) or internal electronic volume (VCM[4:0]) to set the electrical potential of VCOMH. The internal electronic volume can be set by VCM1 and VCM2 bits

**Table 43**

VCMR[0]	VCOMH Electrical Potential setting
---------	------------------------------------

0	VCOMR
---	-------

1	Internal electronic volume
---	----------------------------

## R61505U

### Power Control 4 (R13h)

R/W	RS	IB15	IB14	IB13	IB12	IB11	IB10	IB9	IB8	IB7	IB6	IB5	IB4	IB3	IB2	IB1	IB0
W	1	0	0	0	VDV [4]	VDV [3]	VDV [2]	VDV [1]	VDV [0]	0	0	0	0	0	0	0	0
Default value		0	0	0	0	0	0	0	0	0	0	0	0	0	0	0	0

**VDV[4:0]:** Set VCOM alternating amplitude in the range of VREG1OUTx0.70 to VREG1OUTx1.24.

**Table 44 VDV Setting**

VDV[4:0]	VCOM Amplitude	VDV[4:0]	VCOM Amplitude
5'h0	VREG1OUT×0.70	5'h10	VREG1OUT×0.94
5'h1	VREG1OUT×0.72	5'h11	VREG1OUT×0.96
5'h2	VREG1OUT×0.74	5'h12	VREG1OUT×0.98
5'h3	VREG1OUT×0.76	5'h13	VREG1OUT×1.00
5'h4	VREG1OUT×0.78	5'h14	VREG1OUT×1.02
5'h5	VREG1OUT×0.80	5'h15	VREG1OUT×1.04
5'h6	VREG1OUT×0.82	5'h16	VREG1OUT×1.06
5'h7	VREG1OUT×0.84	5'h17	VREG1OUT×1.08
5'h8	VREG1OUT×0.86	5'h18	VREG1OUT×1.10
5'h9	VREG1OUT×0.88	5'h19	VREG1OUT×1.12
5'hA	VREG1OUT×0.90	5'h1A	VREG1OUT×1.14
5'hB	VREG1OUT×0.92	5'h1B	VREG1OUT×1.16
5'hC	VREG1OUT×0.94	5'h1C	VREG1OUT×1.18
5'hD	VREG1OUT×0.96	5'h1D	VREG1OUT×1.20
5'hE	VREG1OUT×0.98	5'h1E	VREG1OUT×1.22
5'hF	VREG1OUT×1.00	5'h1F	VREG1OUT×1.24

Note: Set VDV[4:0] so that VCOM amplitude becomes 6.0V or less.

### Power Control 5 (R17h)

R/W	RS	IB15	IB14	IB13	IB12	IB11	IB10	IB9	IB8	IB7	IB6	IB5	IB4	IB3	IB2	IB1	IB0
W	1	0	0	0	0	0	0	0	0	0	0	0	0	0	0	0	PSE
Default value		0	0	0	0	0	0	0	0	0	0	0	0	0	0	0	0

**PSE:** Power supply startup enable bit.

PSE = 1: The R61505U's power supply is started by setting PSON when PSE =1. When completing the power supply generating operation, PSE is set to 0.

## R61505U

---

### Power Control 6 (R19h)

R/W	RS	IB 15	IB 14	IB13	IB12	IB11	IB10	IB9	IB8	IB7	IB6	IB5	IB4	IB3	IB2	IB1	IB0
W	1	0	0	0	0	0	0	TBT [1]	TBT [0]	0	0	0	0	0	0	0	0
Default		0	0	0	0	0	0	1	1	0	0	0	0	0	0	0	0

**TBT[1:0]:** Sets position from where BT bit (R10h) is enabled by number of frame(s). Set TBT=2'h0 in Power Supply Instruction Setting, Deep Standby Exit Sequence and Sleep Mode Exit Sequence.

See [Power supply Instruction Setting](#).

## R61505U

### RAM access instruction

#### RAM Address Set (Horizontal Address) (R20h)

#### RAM Address Set (Vertical Address) (R21h)

	R/W	RS	IB15	IB14	IB13	IB12	IB11	IB10	IB9	IB8	IB7	IB6	IB5	IB4	IB3	IB2	IB1	IB0
R 20	W	1	0	0	0	0	0	0	0	0	AD [7]	AD [6]	AD [5]	AD [4]	AD [3]	AD [2]	AD [1]	AD [0]
	Default value		0	0	0	0	0	0	0	0	0	0	0	0	0	0	0	0
R 21	W	1	0	0	0	0	0	0	0	AD [16]	AD [15]	AD [14]	AD [13]	AD [12]	AD [11]	AD [10]	AD [9]	AD [8]
	Default value		0	0	0	0	0	0	0	0	0	0	0	0	0	0	0	0

**AD[16:0]:** A GRAM address set initially in the AC (Address Counter). The address in the AC is automatically updated according to the combination of AM, I/D[1:0] settings as the R61505U writes data to the internal GRAM so that data can be written consecutively without resetting the address in the AC. The address is not automatically updated when reading data from the internal GRAM.

Note 1: In RGB interface operation (RM = "1"), the address AD16-0 is set in the address counter every frame on the falling edge of VSYNC.

Note 2: In internal clock operation and VSYNC interface operation (RM = "0"), the address AD16-0 is set when executing the instruction.

**Table 45 GRAM Address setting range**

AD[16:0]	GRAM Data Setting
17'h00000 – 17'h000EF	Bitmap data on the first line
17'h00100 – 17'h001EF	Bitmap data on the second line
17'h00200 – 17'h002EF	Bitmap data on the third line
17'h00300 – 17'h003EF	Bitmap data on the fourth line
17'h00400 – 17'h004EF	Bitmap data on the fifth line
:	:
17'h13600 – 17'h13CEF	Bitmap data on the 317 <sup>th</sup> line
17'h13700 – 17'h13DEF	Bitmap data on the 318 <sup>th</sup> line
17'h13800 – 17'h13EEF	Bitmap data on the 319 <sup>th</sup> line
17'h13900 – 17'h13FEF	Bitmap data on the 320 <sup>th</sup> line

## R61505U

---

### Write Data to GRAM (R22h)

R/W RS

W	1	RAM write data WD[17:0] is transferred via different data bus in different interface operation.
RGB interface		RAM write data WD[17:0] is transferred via different data bus in different interface operation.

**WD[17:0]:** The R61505U develops data into 18 bits internally in write operation. The format to develop data into 18 bits is different in different interface operation.

The GRAM data represents the grayscale level. The R61505U automatically updates the address according to AM and I/D[1:0] settings as it writes data in the GRAM. The DFM bit sets the format to develop 16-bit data into the 18-bit data in 16-bit or 8-bit interface operation.

Note: When writing data in the GRAM via system interface while using the RGB interface, make sure that write operations via two interfaces do not conflict one another.

Table 46 GRAM data and corresponding LCD grayscale level (REV =1)

GRAM data RGB	Grayscale level		GRAM data RGB	Grayscale level	
	Negative	Positive		Negative	Positive
6'h00	V31	V0	6'h20	V15	V16
6'h01	$(V30+V31)/2$	$(V0+V1)/2$	6'h21	$(V14+V15)/2$	$(V16+V17)/2$
6'h02	V30	V1	6'h22	V14	V17
6'h03	$(V29+V30)/2$	$(V1+V2)/2$	6'h23	$(V13+V14)/2$	$(V17+V18)/2$
6'h04	V29	V2	6'h24	V13	V18
6'h05	$(V28+V29)/2$	$(V2+V3)/2$	6'h25	$(V12+V13)/2$	$(V18+V19)/2$
6'h06	V28	V3	6'h26	V12	V19
6'h07	$(V27+V28)/2$	$(V3+V4)/2$	6'h27	$(V11+V12)/2$	$(V19+V20)/2$
6'h08	V27	V4	6'h28	V11	V20
6'h09	$(V26+V27)/2$	$(V4+V5)/2$	6'h29	$(V10+V11)/2$	$(V20+V21)/2$
6'h0A	V26	V5	6'h2A	V10	V21
6'h0B	$(V25+V26)/2$	$(V5+V6)/2$	6'h2B	$(V9+V10)/2$	$(V21+V22)/2$
6'h0C	V25	V6	6'h2C	V9	V22
6'h0D	$(V24+V25)/2$	$(V6+V7)/2$	6'h2D	$(V8+V9)/2$	$(V22+V23)/2$
6'h0E	V24	V7	6'h2E	V8	V23
6'h0F	$(V23+V24)/2$	$(V7+V8)/2$	6'h2F	$(V7+V8)/2$	$(V23+V24)/2$
6'h10	V23	V8	6'h30	V7	V24
6'h11	$(V22+V23)/2$	$(V8+V9)/2$	6'h31	$(V6+V7)/2$	$(V24+V25)/2$
6'h12	V22	V9	6'h32	V6	V25
6'h13	$(V21+V22)/2$	$(V9+V10)/2$	6'h33	$(V5+V6)/2$	$(V25+V26)/2$
6'h14	V21	V10	6'h34	V5	V26
6'h15	$(V20+V21)/2$	$(V10+V11)/2$	6'h35	$(V4+V5)/2$	$(V26+V27)/2$
6'h16	V20	V11	6'h36	V4	V27
6'h17	$(V19+V20)/2$	$(V11+V12)/2$	6'h37	$(V3+V4)/2$	$(V27+V28)/2$
6'h18	V19	V12	6'h38	V3	V28
6'h19	$(V18+V19)/2$	$(V12+V13)/2$	6'h39	$(V2+V3)/2$	$(V28+V29)/2$
6'h1A	V18	V13	6'h3A	V2	V29
6'h1B	$(V17+V18)/2$	$(V13+V14)/2$	6'h3B	$(V1+V2)/2$	$(V29+V30)/2$
6'h1C	V17	V14	6'h3C	V1	V30
6'h1D	$(V16+V17)/2$	$(V14+V15)/2$	6'h3D	$(V0+V1)/2$	$(V30+V31)/2$
6'h1E	V16	V15	6'h3E	$(V1+2V0)/3$	$(V30+2V31)/3$
6'h1F	$(V15+V16)/2$	$(V15+V16)/2$	6'h3F	V0	V31

Note:  $(V_n+V_{n+1})/2$ ,  $(V_1+2V_0)/3$  and  $(V_{30}+2V_{31})/3$  are the effective grayscale levels by FRC (frame rate control).

Table 47 GRAM data and corresponding LCD grayscale level (REV =0)

GRAM data RGB	Grayscale level		GRAM data RGB	Grayscale level	
	Negative	Positive		Negative	Positive
6'h00	V0	V31	6'h20	V16	V15
6'h01	(V0+V1)/2	(V30+V31)/2	6'h21	(V16+V17)/2	(V14+V15)/2
6'h02	V1	V30	6'h22	V17	V14
6'h03	(V1+V2)/2	(V29+V30)/2	6'h23	(V17+V18)/2	(V13+V14)/2
6'h04	V2	V29	6'h24	V18	V13
6'h05	(V2+V3)/2	(V28+V29)/2	6'h25	(V18+V19)/2	(V12+V13)/2
6'h06	V3	V28	6'h26	V19	V12
6'h07	(V3+V4)/2	(V27+V28)/2	6'h27	(V19+V20)/2	(V11+V12)/2
6'h08	V4	V27	6'h28	V20	V11
6'h09	(V4+V5)/2	(V26+V27)/2	6'h29	(V20+V21)/2	(V10+V11)/2
6'h0A	V5	V26	6'h2A	V21	V10
6'h0B	(V5+V6)/2	(V25+V26)/2	6'h2B	(V21+V22)/2	(V9+V10)/2
6'h0C	V6	V25	6'h2C	V22	V9
6'h0D	(V6+V7)/2	(V24+V25)/2	6'h2D	(V22+V23)/2	(V8+V9)/2
6'h0E	V7	V24	6'h2E	V23	V8
6'h0F	(V7+V8)/2	(V23+V24)/2	6'h2F	(V23+V24)/2	(V7+V8)/2
6'h10	V8	V23	6'h30	V24	V7
6'h11	(V8+V9)/2	(V22+V23)/2	6'h31	(V24+V25)/2	(V6+V7)/2
6'h12	V9	V22	6'h32	V25	V6
6'h13	(V9+V10)/2	(V21+V22)/2	6'h33	(V25+V26)/2	(V5+V6)/2
6'h14	V10	V21	6'h34	V26	V5
6'h15	(V10+V11)/2	(V20+V21)/2	6'h35	(V26+V27)/2	(V4+V5)/2
6'h16	V11	V20	6'h36	V27	V4
6'h17	(V11+V12)/2	(V19+V20)/2	6'h37	(V27+V28)/2	(V3+V4)/2
6'h18	V12	V19	6'h38	V28	V3
6'h19	(V12+V13)/2	(V18+V19)/2	6'h39	(V28+V29)/2	(V2+V3)/2
6'h1A	V13	V18	6'h3A	V29	V2
6'h1B	(V13+V14)/2	(V17+V18)/2	6'h3B	(V29+V30)/2	(V1+V2)/2
6'h1C	V14	V17	6'h3C	V30	V1
6'h1D	(V14+V15)/2	(V16+V17)/2	6'h3D	(V30+V31)/2	(V0+V1)/2
6'h1E	V15	V16	6'h3E	(V30+2V31)/3	(V1+2V0)/3
6'h1F	(V15+V16)/2	(V15+V16)/2	6'h3F	V31	V0

Note:  $(V_n+V_{n+1})/2$ ,  $(V_1+2V_0)/3$ ,  $(V_{30}+2V_{31})/3$  are the effective grayscale levels by FRC (frame rate control).

## R61505U

### Read Data from GRAM (R22h)

R/W RS

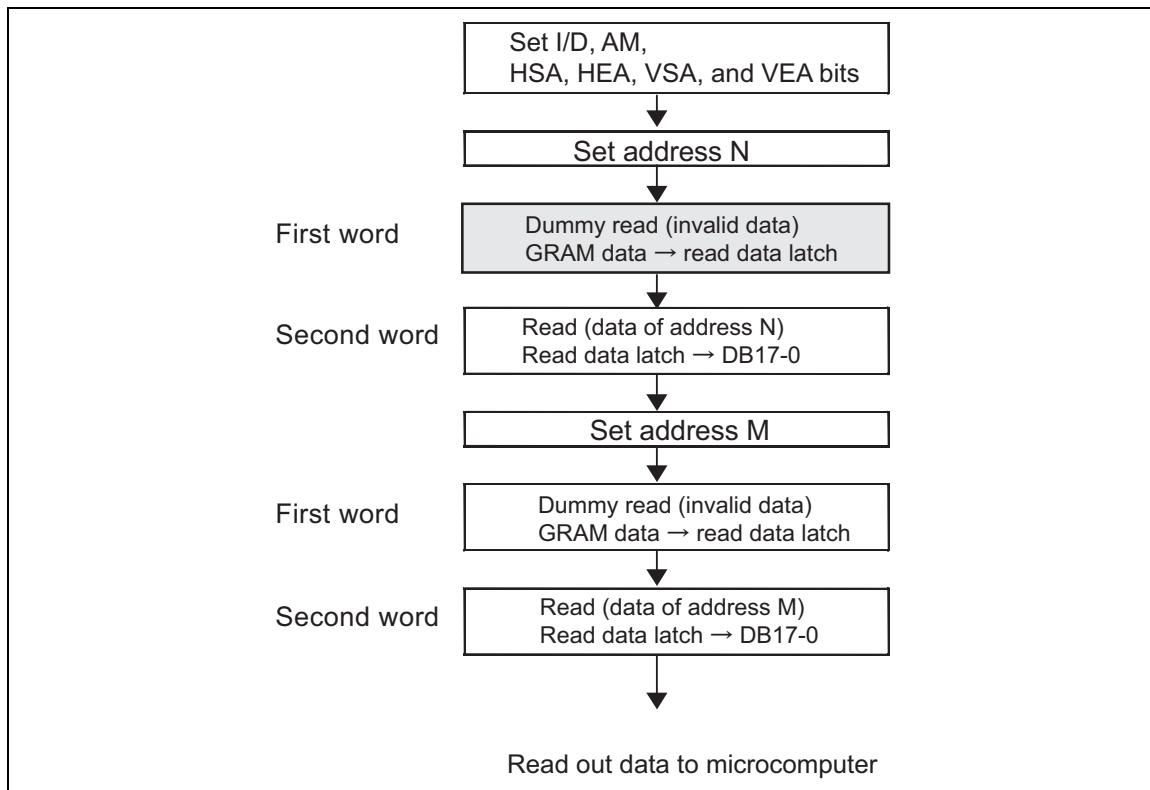
R	1	RAM read data RD[17:0] is transferred via different data bus in different interface operation.
---	---	--

**RD[17:0]:** 18-bit data read from the GRAM. RAM read data RD[17:0] is transferred via different data bus in different interface operation.

When the R61505U reads data from the GRAM to the microcomputer, the first word read immediately after RAM address set is not outputted, so that it is invalid. Valid data is sent to the data bus when the R61505U reads out the second and subsequent words.

When either 8-bit or 16-bit interface is selected, the LSBs of R and B dot data are not read out.

Note: This register is not available in RGB interface operation.



**Figure 6 GRAM Read Sequence**



### NVM(NON-VOLATILE MEMORY) write control instruction

#### NVM read data (R28h), VCOM High Voltage (R29h, R2Ah)

	R/W	RS	IB15	IB14	IB13	IB12	IB11	IB10	IB9	IB8	IB7	IB6	IB5	IB4	IB3	IB2	IB1	IB0
R28	W	1	0	0	0	0	0	0	0	0	0	0	0	0	UID [3]	UID [2]	UID [1]	UID [0]
	Default		0	0	0	0	0	0	0	0	0	0	0	0	0	0	0	0
R29	W	1	0	0	0	0	0	0	0	0	0	0	0	VCM1 [4]	VCM1 [3]	VCM1 [2]	VCM1 [1]	VCM1 [0]
	Default		0	0	0	0	0	0	0	0	0	0	0	0	0	0	0	0
R2A	W	1	0	0	0	0	0	0	0	VCMS EL	0	0	0	VCM2 [4]	VCM2 [3]	VCM2 [2]	VCM2 [1]	VCM2 [0]
	Default		0	0	0	0	0	0	0	0	0	0	0	0	0	0	0	0

**UID[3:0]:** The data bits UID[3:0] are written to the designated address in NVM and the written data can be read out from NVM by instruction setting (CALB) to this register. UID[3:0] can be used to write and read user identification code in NVM.

The setting value in UID[3:0] bits is enabled when not reading out the setting value from NVM via CALB setting.

**VCM1[4:0]:** Selects the factor of VREG1OUT to generate VCOMH. When enabling the setting value in VCM1[4:0], make sure to set VCMSEL = 0.

When using the data written in NVM for setting the VCOMH level, the data bits VCM1[4:0] are written to the designated address in NVM and the written data can be read out from NVM by instruction setting (CALB) to this register. When the data bits VCM2[4:0] are written in NVM before writing the data bits VCM1[4:0] to NVM, the VCM1[4:0] setting value written in NVM cannot be used for setting the VCOMH level.

Note: When R29 register is read after setting CALB=1 (RA4h), data in IB7-5, R29h, is not always 0 and different data may be read out from different die. See [NVM Read Out Sequence](#).

Table 48

VCM1[4:0]	VCOMH voltage	VCM1[4:0]	VCOMH voltage
5'h00	VREG1OUT x 0.69	5'h10	VREG1OUT x 0.85
5'h01	VREG1OUT x 0.70	5'h11	VREG1OUT x 0.86
5'h02	VREG1OUT x 0.71	5'h12	VREG1OUT x 0.87
5'h03	VREG1OUT x 0.72	5'h13	VREG1OUT x 0.88
5'h04	VREG1OUT x 0.73	5'h14	VREG1OUT x 0.89
5'h05	VREG1OUT x 0.74	5'h15	VREG1OUT x 0.90
5'h06	VREG1OUT x 0.75	5'h16	VREG1OUT x 0.91
5'h07	VREG1OUT x 0.76	5'h17	VREG1OUT x 0.92
5'h08	VREG1OUT x 0.77	5'h18	VREG1OUT x 0.93
5'h09	VREG1OUT x 0.78	5'h19	VREG1OUT x 0.94
5'h0A	VREG1OUT x 0.79	5'h1A	VREG1OUT x 0.95
5'h0B	VREG1OUT x 0.80	5'h1B	VREG1OUT x 0.96
5'h0C	VREG1OUT x 0.81	5'h1C	VREG1OUT x 0.97
5'h0D	VREG1OUT x 0.82	5'h1D	VREG1OUT x 0.98
5'h0E	VREG1OUT x 0.83	5'h1E	VREG1OUT x 0.99
5'h0F	VREG1OUT x 0.84	5'h1F	VREG1OUT x 1.00

- Notes: 1. Make sure the VCOMH level is set between 3.0V to (DDVDH-0.5)V.  
 2. The above setting is enabled when selecting internal electronic volume for setting the VCOMH level.

**VCM2[4:0]:** Selects the factor of VREG1OUT to generate VCOMH. When enabling the setting valued in VCM2[4:0], make sure to set VCMSEL = 1. The function of VCM2[4:0] instruction is the same as that of VCM1[4:0].

Write the setting value in VCM2[4:0] bits and VCMSEL = 1 in the designated addresses of NVM, when reading out the setting value written in NVM for VCOMH level setting and the data is already written in the designated address of VCM1[4:0] in the NVM. The VCM2[4:0] data bits written in NVM can be read out via CALB setting for setting the VCOMH level.

Note: When R2A register is read after setting CALB=1 (RA4h), data in IB6-5, R2Ah, is not always 0 and different data may be read out from different die. See [NVM Read Out Sequence](#).

Table 49

VCM2[4:0]	VCOMH voltage	VCM2[4:0]	VCOMH voltage
5'h00	VREG1OUT x 0.69	5'h10	VREG1OUT x 0.85
5'h01	VREG1OUT x 0.70	5'h11	VREG1OUT x 0.86
5'h02	VREG1OUT x 0.71	5'h12	VREG1OUT x 0.87
5'h03	VREG1OUT x 0.72	5'h13	VREG1OUT x 0.88
5'h04	VREG1OUT x 0.73	5'h14	VREG1OUT x 0.89
5'h05	VREG1OUT x 0.74	5'h15	VREG1OUT x 0.90
5'h06	VREG1OUT x 0.75	5'h16	VREG1OUT x 0.91
5'h07	VREG1OUT x 0.76	5'h17	VREG1OUT x 0.92
5'h08	VREG1OUT x 0.77	5'h18	VREG1OUT x 0.93
5'h09	VREG1OUT x 0.78	5'h19	VREG1OUT x 0.94
5'h0A	VREG1OUT x 0.79	5'h1A	VREG1OUT x 0.95
5'h0B	VREG1OUT x 0.80	5'h1B	VREG1OUT x 0.96
5'h0C	VREG1OUT x 0.81	5'h1C	VREG1OUT x 0.97
5'h0D	VREG1OUT x 0.82	5'h1D	VREG1OUT x 0.98
5'h0E	VREG1OUT x 0.83	5'h1E	VREG1OUT x 0.99
5'h0F	VREG1OUT x 0.84	5'h1F	VREG1OUT x 1.00

- Notes: 1. Make sure the VCOMH level is set between 3.0V to (DDVDH-0.5)V.  
 2. The above setting is enabled when selecting internal electronic volume for setting the VCOMH level.

**VCMSEL:** When VCMSEL = 0, VCM1[4:0] is selected. When VCMSEL = 1, VCM2[4:0] is selected.

## R61505U

### $\gamma$ Control

#### $\gamma$ Control 1 ~ 14 (R30h to R3Dh)

	R/W	RS	IB15	IB14	IB13	IB12	IB11	IB10	IB9	IB8	IB7	IB6	IB5	IB4	IB3	IB2	IB1	IB0
R 30	W	1	0	0	0	0	0	POKP 1[2]	POKP 1[1]	POKP 1[0]	0	0	0	0	0	POKP 0[2]	POKP 0[1]	POKP 0[0]
	Default value		0	0	0	0	0	0	0	0	0	0	0	0	0	0	0	0
R 31	W	1	0	0	0	0	0	POKP 3[2]	POKP 3[1]	POKP 3[0]	0	0	0	0	0	POKP 2[2]	POKP 2[1]	POKP 2[0]
	Default value		0	0	0	0	0	0	0	0	0	0	0	0	0	0	0	0
R 32	W	1	0	0	0	0	0	POKP 5[2]	POKP 5[1]	POKP 5[0]	0	0	0	0	0	POKP 4[2]	POKP 4[1]	POKP 4[0]
	Default value		0	0	0	0	0	0	0	0	0	0	0	0	0	0	0	0
R 33	W	1	0	0	0	0	0	POFP 1[1]	POFP 1[0]	0	0	0	0	0	0	0	POFP 0[1]	POFP 0[0]
	Default value		0	0	0	0	0	0	0	0	0	0	0	0	0	0	0	0
R 34	W	1	0	0	0	0	0	POFP 3[1]	POFP 3[0]	0	0	0	0	0	0	0	POFP 2[1]	POFP 2[0]
	Default value		0	0	0	0	0	0	0	0	0	0	0	0	0	0	0	0
R 35	W	1	0	0	0	0	0	PORP 1[2]	PORP 1[1]	PORP 1[0]	0	0	0	0	0	PORP 0[2]	PORP 0[1]	PORP 0[0]
	Default value		0	0	0	0	0	0	0	0	0	0	0	0	0	0	0	0
R 36	W	1	0	0	0	VORP 1[4]	VORP 1[3]	VORP 1[2]	VORP 1[1]	VORP 1[0]	0	0	0	VORP 0[4]	VORP 0[3]	VORP 0[2]	VORP 0[1]	VORP 0[0]
	Default value		0	0	0	0	0	0	0	0	0	0	0	0	0	0	0	0
R 37	W	1	0	0	0	0	0	POK N1[2]	POK N1[1]	POK N1[0]	0	0	0	0	0	POK N0[2]	POK N0[1]	POK N0[0]
	Default value		0	0	0	0	0	0	0	0	0	0	0	0	0	0	0	0
R 38	W	1	0	0	0	0	0	POK N3[2]	POK N3[1]	POK N3[0]	0	0	0	0	0	POK N2[2]	POK N2[1]	POK N2[0]
	Default value		0	0	0	0	0	0	0	0	0	0	0	0	0	0	0	0
R 39	W	1	0	0	0	0	0	POK N5[2]	POK N5[1]	POK N5[0]	0	0	0	0	0	POK N4[2]	POK N4[1]	POK N4[0]
	Default value		0	0	0	0	0	0	0	0	0	0	0	0	0	0	0	0

## R61505U

### $\gamma$ Control 1 ~ 14 (R30h to R3Dh) (continued)

	R/W	RS	IB15	IB14	IB13	IB12	IB11	IB10	IB9	IB8	IB7	IB6	IB5	IB4	IB3	IB2	IB1	IB0	
R 3A	W	1	0	0	0	0	0	0	POFN 1[1]	POFN 1[0]	0	0	0	0	0	0	POFN 0[1]	POFN 0[0]	
	Default value		0	0	0	0	0	0	0	0	0	0	0	0	0	0	0	0	0
R 3B	W	1	0	0	0	0	0	0	POFN 3[1]	POFN 3[0]	0	0	0	0	0	0	POFN 2[1]	POFN 2[0]	
	Default value		0	0	0	0	0	0	0	0	0	0	0	0	0	0	0	0	0
R 3C	W	1	0	0	0	0	0	PORN 1[2]	PORN 1[1]	PORN 1[0]	0	0	0	0	0	0	PORN 0[2]	PORN 0[1]	PORN 0[0]
	Default value		0	0	0	0	0	0	0	0	0	0	0	0	0	0	0	0	0
R 3D	W	1	0	0	0	VOR N1[4]	VOR N1[3]	VOR N1[2]	VOR N1[1]	VOR N1[0]	0	0	0	VOR N0[4]	VOR N0[3]	VOR N0[2]	VOR N0[1]	VOR N0[0]	
	Default value		0	0	0	0	0	0	0	0	0	0	0	0	0	0	0	0	0

P0KP5-0[2:0]:	$\gamma$ fine-adjustment register for positive polarity
P0FP3-0[1:0]:	$\gamma$ fine-adjustment register for positive polarity
P0RP1-0[2:0]:	$\gamma$ gradient-adjustment register for positive polarity
V0RP1-0[4:0]:	$\gamma$ amplitude-adjustment register for positive polarity
P0KN5-0[2:0]:	$\gamma$ fine-adjustment register for negative polarity
P0FN3-0[1:0]:	$\gamma$ fine-adjustment register for negative polarity
P0RN1-0[2:0]:	$\gamma$ gradient-adjustment register for negative polarity
V0RN1-0[4:0]:	$\gamma$ amplitude-adjustment register for negative polarity

## Window address control instruction

## Window Horizontal RAM Address Start/End (R50h/ R51h)

## Window Vertical RAM Address Start/End (R52h/R53h)

	R/W	RS	IB15	IB14	IB13	IB12	IB11	IB10	IB9	IB8	IB7	IB6	IB5	IB4	IB3	IB2	IB1	IB0
R50	W	1	0	0	0	0	0	0	0	0	HSA [7]	HSA [6]	HSA [5]	HSA [4]	HSA [3]	HSA [2]	HSA [1]	HSA [0]
	Default value		0	0	0	0	0	0	0	0	0	0	0	0	0	0	0	0
R51	W	1	0	0	0	0	0	0	0	0	HEA [7]	HEA [6]	HEA [5]	HEA [4]	HEA [3]	HEA [2]	HEA [1]	HEA [0]
	Default value		0	0	0	0	0	0	0	0	1	1	1	0	1	1	1	1
R52	W	1	0	0	0	0	0	0	0	VSA [8]	VSA [7]	VSA [6]	VSA [5]	VSA [4]	VSA [3]	VSA [2]	VSA [1]	VSA [0]
	Default value		0	0	0	0	0	0	0	0	0	0	0	0	0	0	0	0
R53	W	1	0	0	0	0	0	0	0	VEA [8]	VEA [7]	VEA [6]	VEA [5]	VEA [4]	VEA [3]	VEA [2]	VEA [1]	VEA [0]
	Default value		0	0	0	0	0	0	0	1	0	0	1	1	1	1	1	1

**HSA[7:0], HEA[7:0]:** HSA[7:0] and HEA[7:0] are the start and end addresses of the window address area in horizontal direction, respectively. HSA[7:0] and HEA[7:0] specify the horizontal range to write data. Set HSA[7:0] and HEA[7:0] before starting RAM write operation. In setting, make sure that  $8'h00 \leq HSA < HEA \leq 8'hEF$  and  $8'h04 \leq HEA - HSA$ .

**VSA[8:0], VEA[8:0]:** VSA[8:0] and VEA[8:0] are the start and end addresses of the window address area in vertical direction, respectively. VSA[8:0] and VEA[8:0] specify the vertical range to write data. Set VSA[8:0] and VEA[8:0] before starting RAM write operation. In setting, make sure that  $9'h000 \leq VSA < VEA \leq 9'h13F$ .

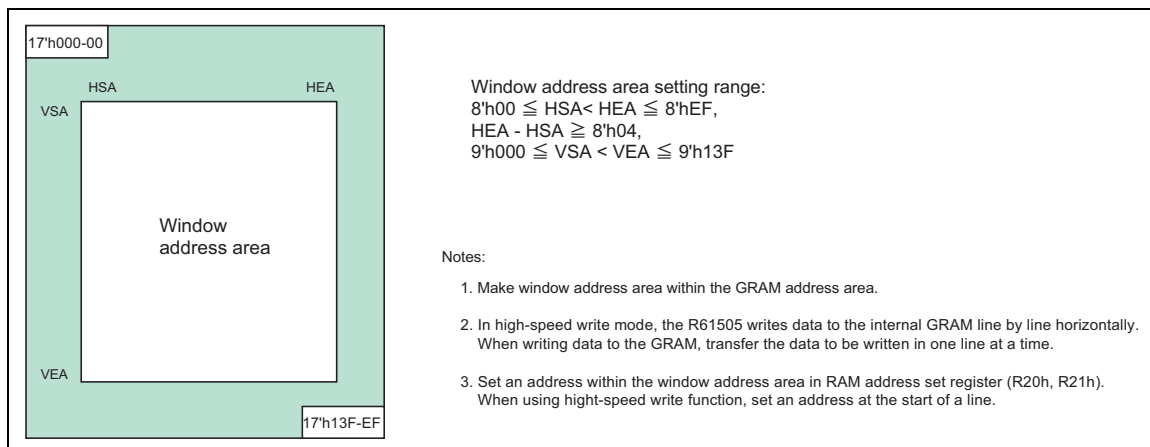


Figure 7 GRAM Address Map and Window Address Area

## R61505U

### Base image display control instruction

#### Driver Output Control (R60h),

#### Base Image Display Control (R61h)

#### Vertical Scroll Control (R6Ah)

	R/W	RS	IB15	IB14	IB13	IB12	IB11	IB10	IB9	IB8	IB7	IB6	IB5	IB4	IB3	IB2	IB1	IB0
R60	W	1	GS	0	NL [5]	NL [4]	NL [3]	NL [2]	NL [1]	NL [0]	0	0	SCN [5]	SCN [4]	SCN [3]	SCN [2]	SCN [1]	SCN [0]
	Default value		0	0	0	0	0	0	0	0	0	0	0	0	0	0	0	0
R61	W	1	0	0	0	0	0	0	0	0	0	0	0	0	0	NDL	VLE	REV
	Default value		0	0	0	0	0	0	0	0	0	0	0	0	0	0	0	0
R6A	W	1	0	0	0	0	0	0	0	VL [8]	VL [7]	VL [6]	VL [5]	VL [4]	VL [3]	VL [2]	VL [1]	VL [0]
	Default value		0	0	0	0	0	0	0	0	0	0	0	0	0	0	0	0

**SCN[5:0]:** Specifies the gate line where the gate driver starts scan.

**NL[5:0]:** Sets the number of lines to drive the LCD at an interval of 8 lines. The GRAM address mapping is not affected by the number of lines set by NL[5:0]. The number of lines must be the same or more than the number of lines necessary for the size of the liquid crystal panel.

**GS:** Sets the direction of scan by the gate driver. Set GS bit in combination with SM and SS bits for the convenience of the display module configuration and the display direction.

**REV:** Enables the grayscale inversion of the image by setting REV = 1. This enables the R61505U to display the same image from the same set of data whether the liquid crystal panel is normally black or white. The source output level during front, back porch periods and blank periods is determined by register setting (PTS).

**Table 50 GRAM Data-grayscale level inversion**

REV	GRAM Data	Source Output Level in Display Area	
		Positive Polarity	Negative Polarity
0	18'h00000	V31	V0
	:	:	:
	18'h3FFFFFF	V0	V31
1	18'h00000	V0	V31
	:	:	:
	18'h3FFFFFF	V31	V0

## R61505U

---

**VLE:** Vertical scroll display enable bit. When VLE = 1, the R61505U starts displaying the base image from the line (of the physical display) determined by VL[8:0] bits. VL[8:0] sets the amount of scrolling, which is the number of lines to shift the start line of the display from the first line of the physical display. Note that the partial image display position is not affected by the base image scrolling.

The vertical scrolling is not available in external display interface operation. In this case, make sure to set VLE = "0".

**Table 51**

VLE	Base image
0	Fixed
1	Enable scrolling

**NDL:** Sets the source output level in non-lit display area. NDL bit can keep the non-display area lit on.

**Table 52**

NDL	Non-display area	
	Positive	Negative
0	V31	V0
1	V0	V31

**VL[8:0]:** Sets the amount of scrolling of the base image. The base image is scrolled in vertical direction and displayed from the line which is determined by VL[8:0]. Make sure  $VL[8:0] \leq 320$ .

**Table 53**

NL[5:0]	Number of Lines	NL[5:0]	Number of Lines	NL[5:0]	Number of Lines
6'h00	Setting inhibited	6'h0E	Setting inhibited	6'h1C	Setting inhibited
6'h01	Setting inhibited	6'h0F	Setting inhibited	6'h1D	240 (lines)
6'h02	Setting inhibited	6'h10	Setting inhibited	6'h1E	248
6'h03	Setting inhibited	6'h11	Setting inhibited	6'h1F	256
6'h04	Setting inhibited	6'h12	Setting inhibited	6'h20	264
6'h05	Setting inhibited	6'h13	Setting inhibited	6'h21	272
6'h06	Setting inhibited	6'h14	Setting inhibited	6'h22	280
6'h07	Setting inhibited	6'h15	176 lines	6'h23	288
6'h08	Setting inhibited	6'h16	Setting inhibited	6'h24	296
6'h09	Setting inhibited	6'h17	Setting inhibited	6'h25	304
6'h0A	Setting inhibited	6'h18	Setting inhibited	6'h26	312
6'h0B	Setting inhibited	6'h19	Setting inhibited	6'h27	320
6'h0C	Setting inhibited	6'h1A	Setting inhibited	6'h28-6'h3F	Setting inhibited
6'h0D	Setting inhibited	6'h1B	Setting inhibited		



Table 54

SCN[5:0]	Gate Line No (Scan start position)				See note.
	SM=0		SM=1		
	GS=0	GS=1	GS=0	GS=1	
6'h00	G1	G320	G1	G320	
6'h01	G9	G312	G17	G304	
6'h02	G17	G304	G33	G288	
6'h03	G25	G296	G49	G272	
6'h04	G33	G288	G65	G256	
6'h05	G41	G280	G81	G240	
6'h06	G49	G272	G97	G224	
6'h07	G57	G264	G113	G208	
6'h08	G65	G256	G129	G192	
6'h09	G73	G248	G145	G176	
6'h0A	G81	G240	G161	G160	
6'h0B	G89	G232	G177	G144	
6'h0C	G97	G224	G193	G128	
6'h0D	G105	G216	G209	G112	
6'h0E	G113	G208	G225	G96	
6'h0F	G121	G200	G241	G80	
6'h10	G129	G192	G257	G64	
6'h11	G137	G184	G273	G48	
6'h12	G145	G176	G289	G32	
6'h13	G153	G168	G305	G16	
6'h14	G161	G160	G2	G319	
6'h15	G169	G152	G18	G303	
6'h16	G177	G144	G34	G287	
6'h17	G185	G136	G50	G271	
6'h18	G193	G128	G66	G255	
6'h19	G201	G120	G82	G239	
6'h1A	G209	G112	G98	G223	
6'h1B	G217	G104	G114	G207	
6'h1C	G225	G96	G130	G191	
6'h1D	G233	G88	G146	G175	
6'h1E	G241	G80	G162	G159	
6'h1F	G249	G72	G178	G143	
6'h20	G257	G64	G194	G127	
6'h21	G265	G56	G210	G111	
6'h22	G273	G48	G226	G95	
6'h23	G281	G40	G242	G79	
6'h24	G289	G32	G258	G63	
6'h25	G297	G24	G274	G47	
6'h26	G305	G16	G290	G31	
6'h27	G313	G8	G306	G15	
6'h28-6'h3F	Setting disabled	Setting disabled	Setting disabled	Setting disabled	

Note: Make sure that number of scan start position + number of scan end position is 320 lines or less.

## Partial display control instruction

**Partial Image 1: Display Position (R80h), RAM Address (Start/End Line Address) (R81h/R82h)**

**Partial Image 2: Display Position (R83h), RAM Address (Start/End Line Address) (R84h/R85h)**

	R/W	RS	IB15	IB14	IB13	IB12	IB11	IB10	IB9	IB8	IB7	IB6	IB5	IB4	IB3	IB2	IB1	IB0
R 80	W	1	0	0	0	0	0	0	0	PTDP 0[8]	PTDP 0[7]	PTDP 0[6]	PTDP 0[5]	PTDP 0[4]	PTDP 0[3]	PTDP 0[2]	PTDP 0[1]	PTDP 0[0]
	Default value		0	0	0	0	0	0	0	0	0	0	0	0	0	0	0	0
R 81	W	1	0	0	0	0	0	0	0	PTSA 0[8]	PTSA 0[7]	PTSA 0[6]	PTSA 0[5]	PTSA 0[4]	PTSA 0[3]	PTSA 0[2]	PTSA 0[1]	PTSA 0[0]
	Default value		0	0	0	0	0	0	0	0	0	0	0	0	0	0	0	0
R 82	W	1	0	0	0	0	0	0	0	PTE A0[8]	PTE A0[7]	PTE A0[6]	PTE A0[5]	PTE A0[4]	PTE A0[3]	PTE A0[2]	PTE A0[1]	PTE A0[0]
	Default value		0	0	0	0	0	0	0	0	0	0	0	0	0	0	0	0
R 83	W	1	0	0	0	0	0	0	0	PTDP 1[8]	PTDP 1[7]	PTDP 1[6]	PTDP 1[5]	PTDP 1[4]	PTDP 1[3]	PTDP 1[2]	PTDP 1[1]	PTDP 1[0]
	Default value		0	0	0	0	0	0	0	0	0	0	0	0	0	0	0	0
R 84	W	1	0	0	0	0	0	0	0	PTSA 1[8]	PTSA 1[7]	PTSA 1[6]	PTSA 1[5]	PTSA 1[4]	PTSA 1[3]	PTSA 1[2]	PTSA 1[1]	PTSA 1[0]
	Default value		0	0	0	0	0	0	0	0	0	0	0	0	0	0	0	0
R 85	W	1	0	0	0	0	0	0	0	PTE A1[8]	PTE A1[7]	PTE A1[6]	PTE A1[5]	PTE A1[4]	PTE A1[3]	PTE A1[2]	PTE A1[1]	PTE A1[0]
	Default value		0	0	0	0	0	0	0	0	0	0	0	0	0	0	0	0

**PTDP0[8:0]:** Sets the display position of partial image 1.

**PTDP1[8:0]:** Sets the display position of partial image 2.

The display areas of the partial images 1 and 2 must not overlap each other. In setting, make sure that

Partial image 1 display area < Partial image 2 display area, and

Coordinates of partial image 1 display position: (PTDP0, PTDP0 + (PTEA0 – PTSA0))

Coordinates of partial image 2 display position: (PTDP1, PTDP1 + (PTEA1 – PTSA1))

If PTDP0 = “9’h000”, the partial image 1 is displayed from the first line of the base image.

**PTSA0[8:0] and PTEA0[8:0]:** Sets the start line and end line addresses of the RAM area, respectively for the partial image 1. In setting, make sure that PTSA0 ≤ PTEA0.

**PTSA1[8:0] and PTEA1[8:0]:** Sets the start line and end line addresses of the RAM area, respectively for the partial image 2. In setting, make sure that PTSA1 ≤ PTEA1.

## Panel interface control instruction

## Panel interface control 1(R90h)

R/W	RS	IB15	IB14	IB13	IB12	IB11	IB10	IB9	IB8	IB7	IB6	IB5	IB4	IB3	IB2	IB1	IB0
W	1	0	0	0	0	0	0	DIVI [1]	DIVI [0]	0	0	0	RTNI [4]	RTNI [3]	RTNI [2]	RTNI [1]	RTNI [0]
Default value		0	0	0	0	0	0	0	0	0	0	0	1	0	0	0	0

**RTNI[4:0]:** Sets 1H (line) period. This setting is enabled while the R61505U's display operation is synchronized with internal clock.

**Table 55 Clocks per line (internal clock operation: 1 clock = 1 OSC)**

RTNI[4:0]	Clocks per Line	RTNI[4:0]	Clocks per Line	RTNI[4:0]	Clocks per Line
5'h00-5'h0F	Setting inhibited	5'h15	21 clocks	5'h1B	27 clocks
5'h10	16 clocks	5'h16	22 clocks	5'h1C	28 clocks
5'h11	17 clocks	5'h17	23 clocks	5'h1D	29 clocks
5'h12	18 clocks	5'h18	24 clocks	5'h1E	30 clocks
5'h13	19 clocks	5'h19	25 clocks	5'h1F	31 clocks
5'h14	20 clocks	5'h1A	26 clocks		

Note: In Power Supply Instruction Setting, Deep Standby Exit Sequence and Sleep Mode Exit Sequence, RTNI bit must be set at the "Initial instruction setting" stage. See [Power supply Instruction Setting and Deep standby mode IN/EXIT sequences](#) for detail of the timing to set the bit.

**DIVI[1:0]:** Sets the division ratio of the internal clock frequency. The R61505U's internal operation is synchronized with the frequency divided internal clock. When DIVI[1:0] setting is changed, the width of the reference clock for liquid crystal panel control signals is changed.

The frame frequency can be adjusted by register setting (RTNI and DIVI bits). When changing the number of lines to drive the liquid crystal panel, adjust the frame frequency too. For details, see "Frame-Frequency Adjustment Function".

The setting in DIVI[1:0] is disabled in RGB interface operation. Setting DIVI  $\neq$  2'h0 is inhibited.

**Table 56 Division ratio of the internal clock**

DIVI[1:0]	Division Ratio	Internal operation clock unit
2'h0	1/1	1 OSC
2'h1	1/2	2 OSC
2'h2	1/4	4 OSC
2'h3	1/8	8 OSC

Note: In Power Supply Instruction Setting, Deep Standby Exit Sequence and Sleep Mode Exit Sequence, DIVI bit must be set at the "Initial instruction setting" stage. See [Power supply Instruction Setting and Deep standby mode IN/EXIT sequences](#) for detail of the timing to set the bit.

## R61505U

---

### Frame Frequency Calculation

$$\text{Frame frequency} = \frac{f_{osc}}{\text{Clocks per line} \times \text{division ratio} \times (\text{line} + \text{BP} + \text{FP})} \quad [\text{Hz}]$$

$f_{osc}$  : RC oscillation frequency

Line: Number of lines to drive the LCD (NL bits)

Division ratio: DIV1

Clocks per line: RTNI

## R61505U

---

### Panel interface control 2(R92h)

R/W	RS	IB15	IB14	IB13	IB12	IB11	IB10	IB9	IB8	IB7	IB6	IB5	IB4	IB3	IB2	IB1	IB0
W	1	0	0	0	0	0	NOW I[2]	NOW I[1]	NOW I[0]	0	0	0	0	0	0	0	0
Default value		0	0	0	0	0	0	0	0	0	0	0	0	0	0	0	0

**NOWI[2:0]:** Sets the non-overlap period of adjacent gate outputs. The setting is enabled in display operation synchronizing with the internal clock.

**Table 57**

NOWI[2:0]	Non-overlap period	NOWI[2:0]	Non-overlap period
3'h0	0 (internal clock <sup>*see note</sup> )	3'h4	4 (internal clock <sup>*see note</sup> )
3'h1	1	3'h5	5
3'h2	2	3'h6	6
3'h3	3	3'h7	7

Note: The internal clock is the frequency divided clock, which is set by DIVI[[1:0] bits.

## R61505U

### Panel interface control 3(R93h)

R/W	RS	IB15	IB14	IB13	IB12	IB11	IB10	IB9	IB8	IB7	IB6	IB5	IB4	IB3	IB2	IB1	IB0
W	1	0	0	0	0	0	VEQ WI [2]	VEQ WI [1]	VEQ WI [0]	0	0	0	0	0	MCP I[2]	MCP I[1]	MCP I[0]
Default value		0	0	0	0	0	0	0	0	0	0	0	0	0	0	0	0

**MCPI[2:0]:** Sets the source output timing by the number of internal clock from the reference point. The setting is enabled in display operation synchronizing with the internal clock.

**Table 58**

MCPI[2:0]	Source output position	MCPI[2:0]	Source output position
3'h0	0 (internal clock <sup>*see note</sup> )	3'h4	4 (internal clock)
3'h1	1	3'h5	5
3'h2	2	3'h6	6
3'h3	3	3'h7	7

Note: The internal clock is the frequency divided clock, which is set by DIVI[[1:0] bits. The source output position is measured from the reference point by the number of internal clock cycle.

**VEQWI [2:0]:** VEQWI sets VCOM equalize period. This setting is enabled when VEM[0]= 1 (R0Eh) and display operation of the R61505U is synchronized with internal clock.

VEQWI setting is enabled when RGB interface is selected.

**Table 59**

#### VEQWI[2:0] VCOM equalize period

3'h0	0 clocks
3'h1	1 clock
3'h2	2 clocks
3'h3	3 clocks
3'h4	4 clocks
3'h5	Setting disabled
3'h6	Setting disabled
3'h7	Setting disabled

Note: DIVI (R90h) sets division ratio of clock frequency.

## R61505U

### Panel interface control 4(R95h)

R/W	RS	IB15	IB14	IB13	IB12	IB11	IB10	IB9	IB8	IB7	IB6	IB5	IB4	IB3	IB2	IB1	IB0
W	1	0	0	0	0	0	0	DIVE [1]	DIVE [0]	0	0	RTN E[5]	RTN E[4]	RTN E[3]	RTN E[2]	RTN E[1]	RTN E[0]
Default value		0	0	0	0	0	0	1	0	0	0	0	1	1	1	1	0

**RTNE[5:0]:** Sets RTNE[5:0] and DIVE[1:0] bits so that the number of DOTCLK calculated from the following formula becomes the number of DOTCLK which should be inputted in 1H period. The RTNE[5:0] setting is enabled in display operation via RGB interface.

$DIVE[1:0] \text{ (division ratio)} \times RTNE[5:0] \text{ (Number of DOTCLK)} \leq \text{Number of DOTCLK in 1H period}$

**DIVE[1:0]:** Sets the division ratio of DOTCLK frequency. The R61505U's internal operation is synchronized with the frequency divided DOTCLK. The setting in DIVE[1:0] is enabled in RGB interface operation.

**Table 60 Division ratio of DOTCLK**

DIVE[1:0]	Division Ratio	Internal operation clock unit (DOTCLK)			
		18-bit, 1 transfer RGB interface	DOTCLK = 5 MHz	6-bit, 3 transfers RGB interface	DOTCLK = 15 MHz
2'h0	Setting disabled	Setting disabled	-	Setting disabled	-
2'h1	1/4	4 DOTCLKs	0.8μs	12 DOTCLKs	0.8μs
2'h2	1/8	8 DOTCLKs	1.6μs	24 DOTCLKs	1.6μs
2'h3	1/16	16 DOTCLKs	3.2μs	48 DOTCLKs	3.2μs

**R61505U**

---

**Table 61 DOTCLK per line (1H period)**

<b>RTNE[5:0]</b>	<b>DOTCLK per line (1H)</b>	<b>RTNE[5:0]</b>	<b>DOTCLK per line (1H)</b>
6'h00	Setting disabled	6'h20	32 clocks
6'h01	Setting disabled	6'h21	33 clocks
6'h02	Setting disabled	6'h22	34 clocks
6'h03	Setting disabled	6'h23	35 clocks
6'h04	Setting disabled	6'h24	36 clocks
6'h05	Setting disabled	6'h25	37 clocks
6'h06	Setting disabled	6'h26	38 clocks
6'h07	Setting disabled	6'h27	39 clocks
6'h08	Setting disabled	6'h28	40 clocks
6'h09	Setting disabled	6'h29	41 clocks
6'h0A	Setting disabled	6'h2A	42 clocks
6'h0B	Setting disabled	6'h2B	43 clocks
6'h0C	Setting disabled	6'h2C	44 clocks
6'h0D	Setting disabled	6'h2D	45 clocks
6'h0E	Setting disabled	6'h2E	46 clocks
6'h0F	Setting disabled	6'h2F	47 clocks
6'h10	16 clocks	6'h30	48 clocks
6'h11	17 clocks	6'h31	49 clocks
6'h12	18 clocks	6'h32	50 clocks
6'h13	19 clocks	6'h33	51 clocks
6'h14	20 clocks	6'h34	52 clocks
6'h15	21 clocks	6'h35	53 clocks
6'h16	22 clocks	6'h36	54 clocks
6'h17	23 clocks	6'h37	55 clocks
6'h18	24 clocks	6'h38	56 clocks
6'h19	25 clocks	6'h39	57 clocks
6'h1A	26 clocks	6'h3A	58 clocks
6'h1B	27 clocks	6'h3B	59 clocks
6'h1C	28 clocks	6'h3C	60 clocks
6'h1D	29 clocks	6'h3D	61 clocks
6'h1E	30 clocks	6'h3E	62 clocks
6'h1F	31 clocks	6'h3F	63 clocks



## R61505U

### Panel interface control 5(R97h)

R/W	RS	IB15	IB14	IB13	IB12	IB11	IB10	IB9	IB8	IB7	IB6	IB5	IB4	IB3	IB2	IB1	IB0
W	1	0	0	0	0	NOW E[3]	NOW E[2]	NOW E[1]	NOW E[0]	0	0	0	0	0	0	0	0
Default value		0	0	0	0	0	0	0	0	0	0	0	0	0	0	0	0

**NOWE[3:0]:** Sets the non-overlap period of adjacent gate outputs. The setting is enabled in display operation via RGB interface.

**Table 62**

NOWE[3:0]	Non-overlap period	NOWE[3:0]	Non-overlap period
4'h0	0 (clock <sup>*see note</sup> )	4'h8	8 (clocks <sup>*see note</sup> )
4'h1	1	4'h9	9
4'h2	2	4'hA	10
4'h3	3	4'hB	11
4'h4	4	4'hC	12
4'h5	5	4'hD	13
4'h6	6	4'hE	14
4'h7	7	4'hF	15

Note: 1 clock = (Number of data transfers/pixel) x DIVE (division ratio) [DOTCLK].

### Panel interface control 6(R98h)

R/W	RS	IB15	IB14	IB13	IB12	IB11	IB10	IB9	IB8	IB7	IB6	IB5	IB4	IB3	IB2	IB1	IB0
W	1	0	0	0	0	0	0	0	0	0	0	0	0	0	MCP E[2]	MCP E[1]	MCP E[0]
Default value		0	0	0	0	0	0	0	0	0	0	0	0	0	0	0	0

**MCPE[2:0]:** Sets the source output timing by the number of internal clock from the reference point. The setting is enabled in display operation via RGB interface.

**Table 63**

MCPE[2:0]	Source output position	MCPE[2:0]	Source output position
3'h0	Setting Disabled	3'h4	4 (clocks <sup>*see note</sup> )
3'h1	1 clock	3'h5	5
3'h2	2	3'h6	6
3'h3	3	3'h7	7

Note: 1 clock = (Number of data transfers/pixel) x DIVE (division ratio) [DOTCLK].

## R61505U

### NVM(NON-VOLATILE MEMORY) control

#### NVM access control 1 (RA0h), NVM access control 2 (RA1h)

	R/W	RS	IB15	IB14	IB13	IB12	IB11	IB10	IB9	IB8	IB7	IB6	IB5	IB4	IB3	IB2	IB1	IB0
RA0	W	1	0	0	0	0	0	0	0	0	TE	0	EOP [1]	EOP [0]	0	0	EAD [1]	EAD [0]
	Default		0	0	0	0	0	0	0	0	0	0	0	0	0	0	0	0
RA1	W		0	0	0	0	0	0	0	0	ED [7]	0	0	ED [4]	ED [3]	ED [2]	ED [1]	ED [0]
	Default		0	0	0	0	0	0	0	0	0	0	0	0	0	0	0	0

**EAD[1:0]:** Designates the address in NVM, where the data is written. See also description of ED7 and ED4-0 bits below.

**Table 64**

EAD[1:0]	Data written in NVM
2'h0	UID[3:0]
2'h1	VCM1[4:0]
2'h2	VCMSEL, VCM2[4:0]
2'h3	Setting disabled

**EOP [1:0]:** Internal NVM control bits to write-in data to NVM, and halt write-in operation.

**Table 65**

EOP[1:0]	NVM control
2'h0	Halt
2'h1	Write
2'h2	Setting disabled
2'h3	Setting disabled

**TE:** Enable internal NVM control bit (EOP). Follow the NVM control sequence when setting TE.

**ED [7], [4:0]:** The data written in the Internal NVM.

**Table 66**

EAD[1:0]	ED7	ED6	ED5	ED4	ED3	ED2	ED1	ED0
2'h0	0	0	0	0	UID[3]	UID[2]	UID[1]	UID[0]
2'h1	0	0	0	VCM1[4]	VCM1[3]	VCM1[2]	VCM1[1]	VCM1[0]
2'h2	VCMSEL	0	0	VCM2[4]	VCM2[3]	VCM2[2]	VCM2[1]	VCM2[0]

## R61505U

---

### Calibration control (RA4h)

R/W	RS	IB15	IB14	IB13	IB12	IB11	IB10	IB9	IB8	IB7	IB6	IB5	IB4	IB3	IB2	IB1	IB0
W	1	0	0	0	0	0	0	0	0	0	0	0	0	0	0	0	CALB
Default Value		0	0	0	0	0	0	0	0	0	0	0	0	0	0	0	0

**CALB:** Instruction to read in data on NVM. When CALB=1, data written to NVM is read out to internal register. CALB sets oscillation frequency at 376kHz +/- 7% (R61505U0) or 600kHz +/- 7% (R61505U1). (IOVCC=VCC=3V, 25C).

Make sure to input CALB=1 every time after power on reset.

Inputting CALB=1 periodically is highly recommended to reduce erroneous display operation caused by noise from outside of the R61505U.

## **R61505U**

---

### **Setting disabled instruction (Inhibition)**

Setting is inhibited for the registers listed as follows. DO NOT ACCESS TO THESE REGISTERS.

R05h-R06h, R0Bh, R14h-R16h, R18h, R1A-R1Fh, R23h-R27h, R2Bh-R2Fh, R3Eh-R3Fh, R54h-R5Fh, R62h-R69h, R6Bh-R6Fh, R86h-R8Fh, R91h, R94h, R96h, R99h-R9Fh, RA2h-RA3h, RA5h-RAFh, RB\*h-RF\*h



**Reset Function**

The R61505U is initialized by the RESET input. During reset period, the R61505U is in a busy state and instruction from the microcomputer and GRAM access are not accepted. The R61505U's internal power supply circuit unit is initialized also by the RESET input. The RESET period must be secured for at least 1ms. In case of power-on reset, wait until the RC oscillation frequency stabilizes (for 1 ms). During this period, GRAM access and initial instruction setting are prohibited.

**1. Initial state of instruction bits (default)**

See the instruction list of p.93. The default value is shown in the parenthesis of each instruction bit cell.

**2. RAM Data initialization**

The RAM data is not automatically initialized by the RESET input. It must be initialized by software in display-off period (D1-0 = "00").

**3. Output pin initial state** \* see Note

- |     |                    |   |
|-----|--------------------|---|
| 1.  | LCD driver S1~S720 | : GND   |
|     | G1~G320            | : VGL (= GND)   |
| 2.  | VCOM               | : Halt (GND output)   |
| 3.  | VCOMH              | : DDVDH   |
| 4.  | VCOML              | : Halt (GND output)   |
| 5.  | VREG1OUT           | : VGS   |
| 6.  | VCIOUT             | : Hi-z  |
| 7.  | VLOUT1 (DDVDH)     | : VCI clamp   |
| 8.  | VLOUT2 (VGH)       | : DDVDH clamp   |
| 9.  | VLOUT3 (VGL)       | : GND   |
| 10. | VCL                | : GND   |
| 11. | VCI1               | : Hi-z  |
| 12. | FMARK              | : Halt (GND output)   |
| 13. | SDO                | : High level (IOVCC) when IM = "010*" (serial interface)<br>: Hi-z when IM ≠ "010*" (other than serial interface) |

**4. Initial state of input/output pins** \* see Note

- |     |      |                 |
|-----|------|-----------------|
| 1.  | C11+ | : Hi-z          |
| 2.  | C11- | : Hi-z          |
| 3.  | C12+ | : Hi-z          |
| 4.  | C12- | : Hi-z          |
| 5.  | C13+ | : VCI1 (= Hi-z) |
| 6.  | C13- | : GND           |
| 7.  | C21+ | : DDVDH         |
| 8.  | C21- | : GND           |
| 9.  | C22+ | : DDVDH         |
| 10. | C22- | : GND           |
| 11. | C23+ | : DDVDH         |
| 12. | C23- | : GND           |
| 13. | VDD  | : VDD           |

## **R61505U**

---

Note: The above mentioned initial states of output and input pins are those of when the R61505U's power supply circuit is connected as exemplified in "Connection example".

### **5. Note on Reset function**

- (1) When RESET is inputted into the R61505U while it is in deep standby mode, the R61505U starts up the inside logic regulator and makes a transition to the initial state. During this period, the state of the interface pins may become unstable. For this reason, do not enter a RESET input in deep standby mode.
- (2) When transferring instruction in either two or three transfers via 8-/9-/16-bit interface, make sure to execute data transfer synchronization after reset operation.

### Basic mode operation of the R61505U

The basic operation modes of the R61505U are shown in the following diagram. When making a transition from one mode to another, refer to instruction setting sequence.

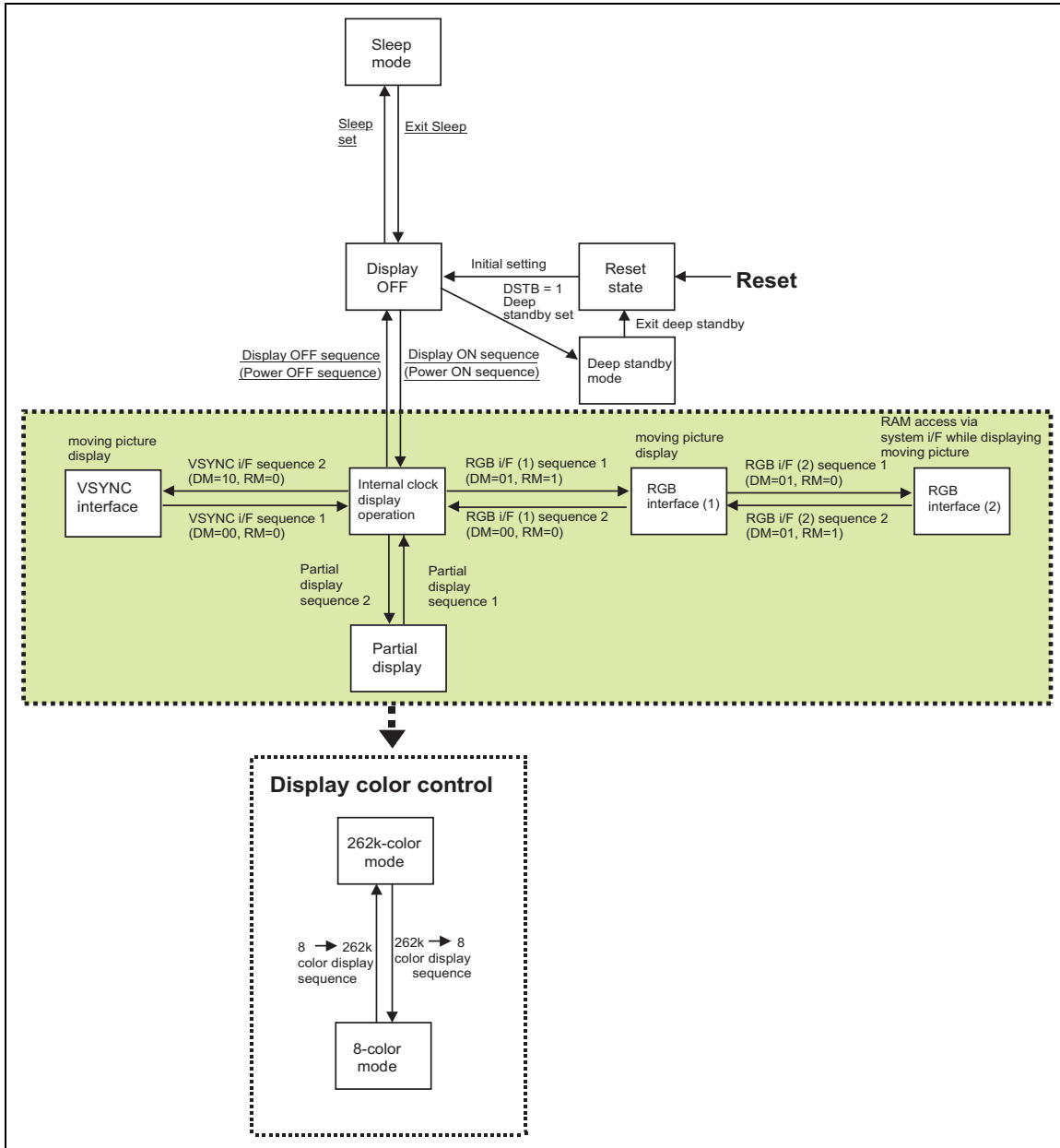


Figure 8



**Interface and data format**

The R61505U supports system interface for making instruction and other settings, and external display interface for displaying a moving picture. The R61505U can select the optimum interface for the display (moving or still picture) in order to transfer data efficiently.

As external display interface, the R61505U supports RGB interface and VSYNC interface, which enables data rewrite operation without flickering the moving picture on display.

In RGB interface operation, the display operation is executed in synchronization with synchronous signals VSYNC, HSYNC, and DOTCLK. In synchronization with these signals, the R61505U writes display data according to data enable signal (ENABLE) via RGB data signal bus (DB17-0). The display data is stored in the R61505U's GRAM so that data is transferred only when rewriting the frames of moving picture and the data transfer required for moving picture display can be minimized. The window address function specifies the RAM area to write data for moving picture display, which enables displaying a moving picture and RAM data in other than the moving picture area simultaneously. To access the R61505U's internal RAM in high speed with low power consumption, use high-speed write function (HWM = 1) in RGB or VSYNC interface operation.

In VSYNC interface operation, the internal display operation is synchronized with the frame synchronization signal (VSYNC). The VSYNC interface enables a moving picture display via system interface by writing the data to the GRAM at faster than the minimum calculated speed in synchronization with the falling edge of VSYNC. In this case, there are restrictions in setting the frequency and the method to write data to the internal RAM.

The R61505U operates in either one of the following four modes according to the state of the display. The operation mode is set in the external display interface control register (R0Ch). When switching from one mode to another, make sure to follow the relevant sequence in setting instruction bits.

**Table 67 Operation Modes**

<b>Operation Mode</b>	<b>RAM Access Setting (RM)</b>	<b>Display Operation Mode (DM)</b>
Internal clock operation (displaying still pictures)	System interface (RM = 0)	Internal clock operation (DM1-0 = 00)
RGB interface (1) (displaying moving pictures)	RGB interface (RM = 1)	RGB interface (DM1-0 = 01)
RGB interface (2) (rewriting still pictures while displaying moving pictures)	System interface (RM = 0)	RGB interface (DM1-0 = 01)
VSYNC interface (displaying moving pictures)	System interface (RM = 0)	VSYNC interface (DM1-0 = 10)

- Notes:
1. Instructions are set only via system interface.
  2. The RGB and VSYNC interfaces cannot be used simultaneously.
  3. Do not make changes to the RGB interface operation setting (RIM1-0) while RGB interface is in operation.
  4. See the "External Display Interface" section for the sequences when switching from one mode to another.
  5. Use high-speed write function (HWM = 1) when writing data via RGB or VSYNC interface.

## R61505U

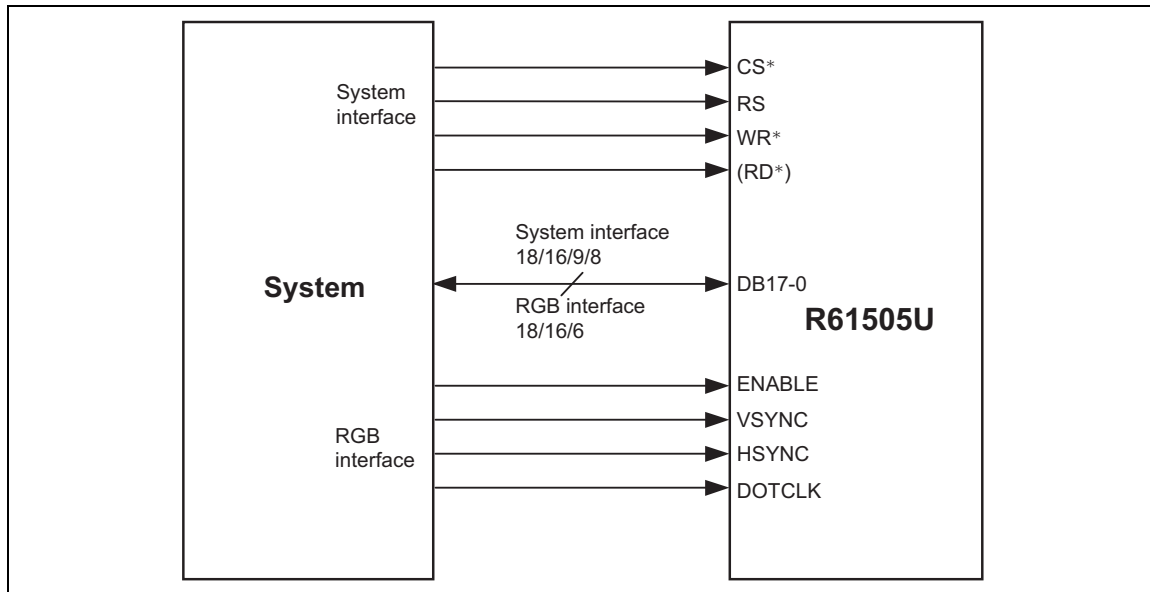


Figure 9

### Internal clock operation

The display operation is synchronized with signals generated from internal oscillator's clock (OSC) in this mode. All input via external display interface is disabled in this operation. The internal RAM can be accessed only via system interface.

### RGB interface operation (1)

The display operation is synchronized with frame synchronous signal (VSYNC), line synchronous signal (HSYNC), and dot clock signal (DOTCLK) in RGB interface operation. These signals must be supplied during the display operation via RGB interface.

The R61505U transfers display data in units of pixels via DB17-0 pins. The display data is stored in the internal RAM. The combined use of high-speed RAM write mode and window address function can minimize the total number of data transfer for moving picture display by transferring only the data to be written in the moving picture RAM area when it is written and enables the R61505U to display a moving picture and the data in other than the moving picture RAM area simultaneously.

The front porch (FP), back porch (BP), and the display (NL) periods are automatically calculated inside the R61505U by counting the number of clocks of line synchronous signal (HSYNC) from the falling edge of the frame synchronous signal (VSYNC). Make sure to transfer pixel data via DB17-0 pins in accordance with the setting of these periods.

## **R61505U**

---

### **RGB interface operation (2)**

This mode enables the R61505U to rewrite RAM data via system interface while using RGB interface for display operation. To rewrite RAM data via system interface, make sure that display data is not transferred via RGB interface (ENABLE = high). To return to the RGB interface operation, change the ENABLE setting first. Then set an address in the RAM address set register and R22h in the index register.

### **VSYNC interface operation**

The internal display operation is synchronized with the frame synchronous signal (VSYNC) in this mode. This mode enables the R61505U to display a moving picture via system interface by writing data in the internal RAM at faster than the calculated minimum speed via system interface from the falling edge of frame synchronous (VSYNC). In this case, there are restrictions in speed and method of writing RAM data. For details, see the “VSYNC Interface” section.

As external input, only VSYNC signal input is valid in this mode. Other input via external display interface becomes disabled.

The front porch (FP), back porch (BP), and the display (NL) periods are automatically calculated from the frame synchronous signal (VSYNC) inside the R61505U according to the instruction settings for these periods.

### **FMARK interface operation**

In the FMARK interface operation, data is written to internal RAM via system interface synchronizing with the frame mark signal (FMARK), realizing tearing-less moving picture while using conventional system interface. In this case, there are restrictions in speed and method of writing RAM data. See “FMARK interface” for detail.

## System Interface

The following are the kinds of system interfaces available with the R61505U. The interface operation is selected by setting the IM3/2/1/0 pins. The system interface is used for instruction setting and RAM access.

**Table 68 IM Bit Settings and System Interface**

IM3	IM2	IM1	IM0	Interfacing Mode with MPU	DB Pins	Colors
0	0	0	0	Setting inhibited	-	-
0	0	0	1	Setting inhibited	-	-
0	0	1	0	80-system 16-bit interface	DB17-10, DB8-1	262,144 *see Note1
0	0	1	1	80-system 8-bit interface	DB17-10	262,144 *see Note2
0	1	0	*	Clock synchronous serial interface	-	65,536
0	1	1	0	Setting inhibited	-	-
0	1	1	1	Setting inhibited	-	-
1	0	0	0	Setting inhibited	-	-
1	0	0	1	Setting inhibited	-	-
1	0	1	0	80-system 18-bit interface	DB17-0	262,144
1	0	1	1	80-system 9-bit interface	DB17-9	262,144
1	1	0	0	Setting inhibited	-	-
1	1	0	1	Setting inhibited	-	-
1	1	1	0	Setting inhibited	-	-
1	1	1	1	Setting inhibited	-	-

Notes: 1. 65,536 colors in 16-bit single transfer mode.

2. 65,536 colors in 8-bit 2-transfer mode.

80-system 18-bit Bus Interface

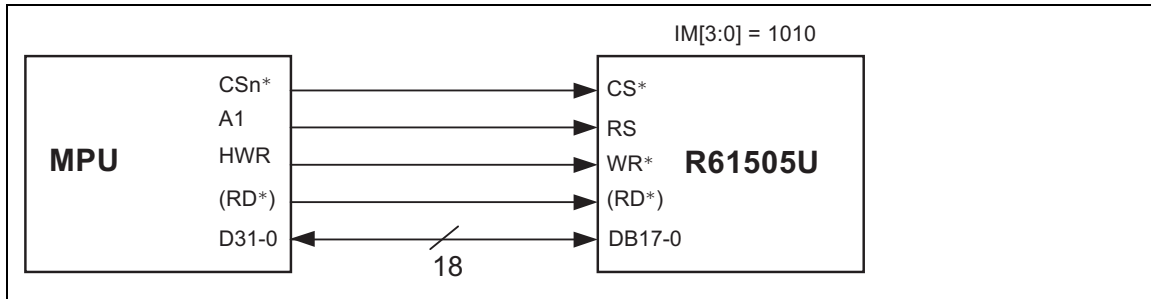


Figure 10 18-bit interface

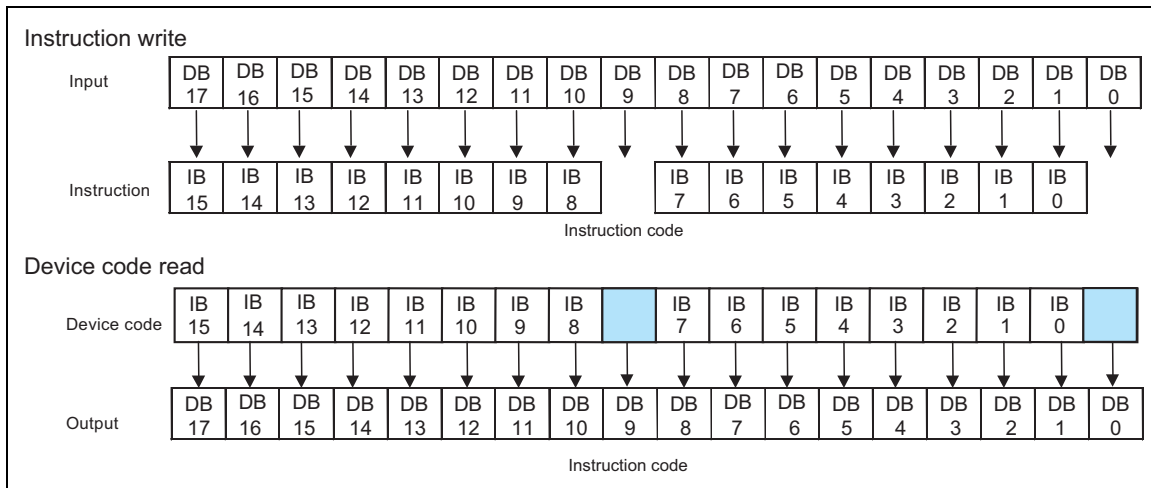


Figure 11 18-bit Interface Data Format (Instruction Write / Device Code Read)

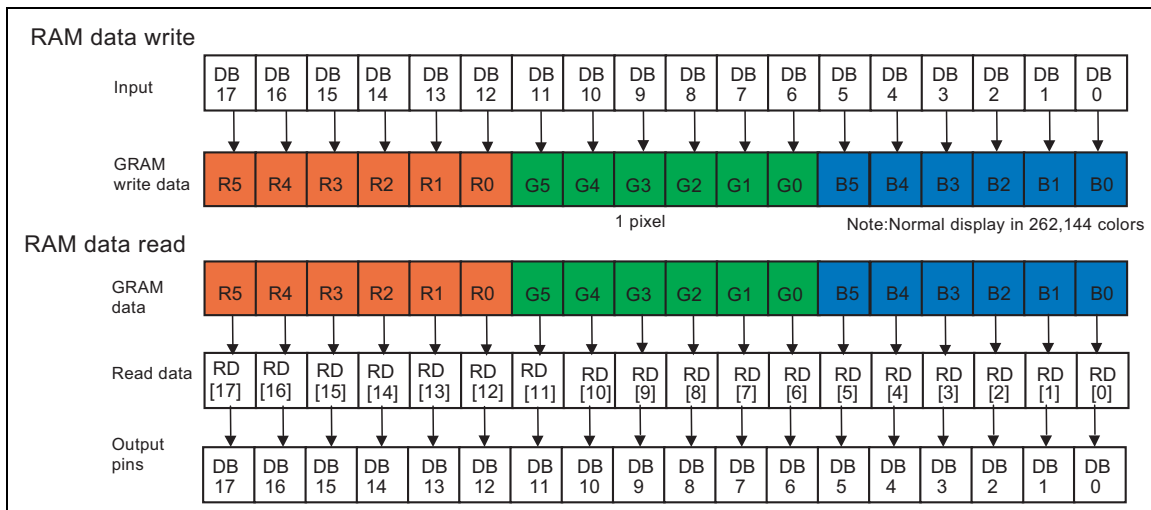


Figure 12 18-bit Interface Data Format (RAM Data Write / RAM Data Read)

80-system 16-bit Bus Interface

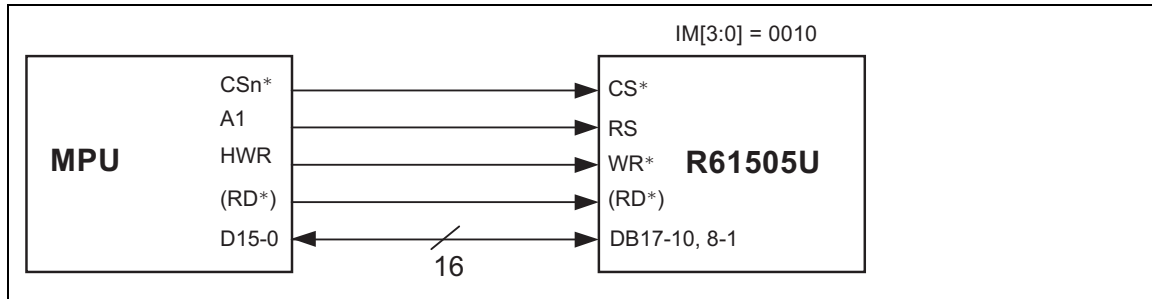


Figure 13 16-bit interface

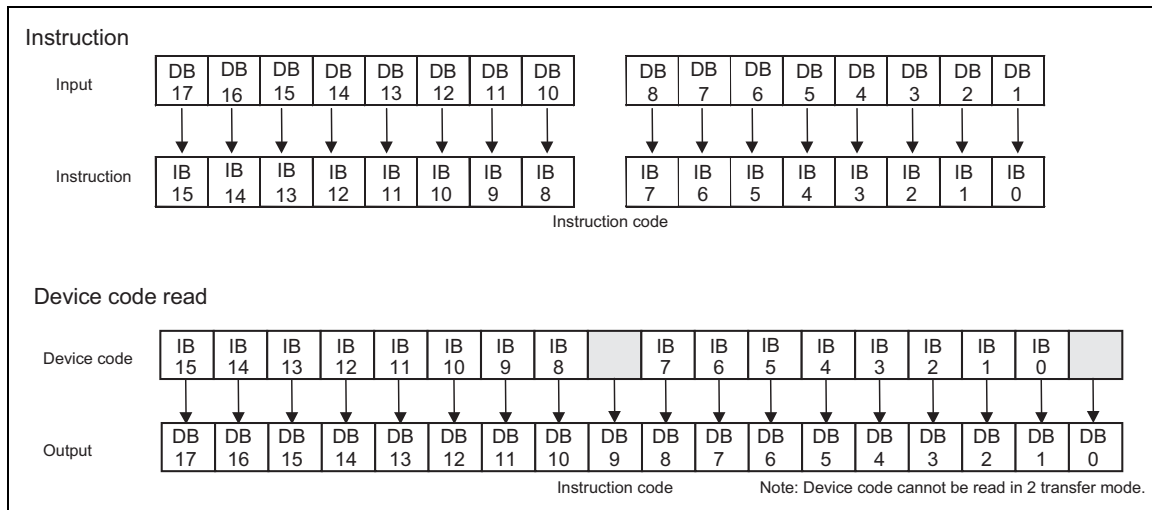
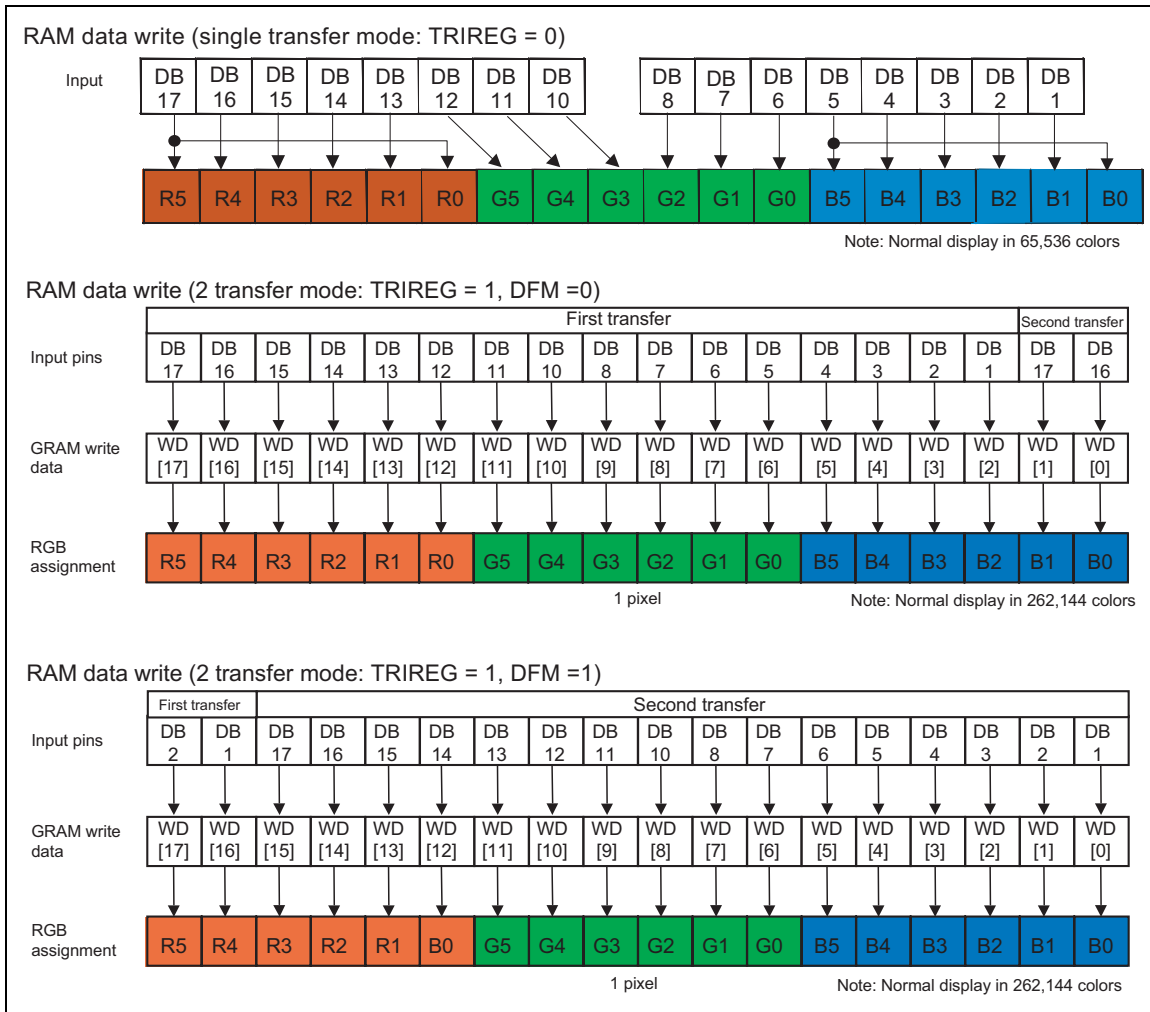
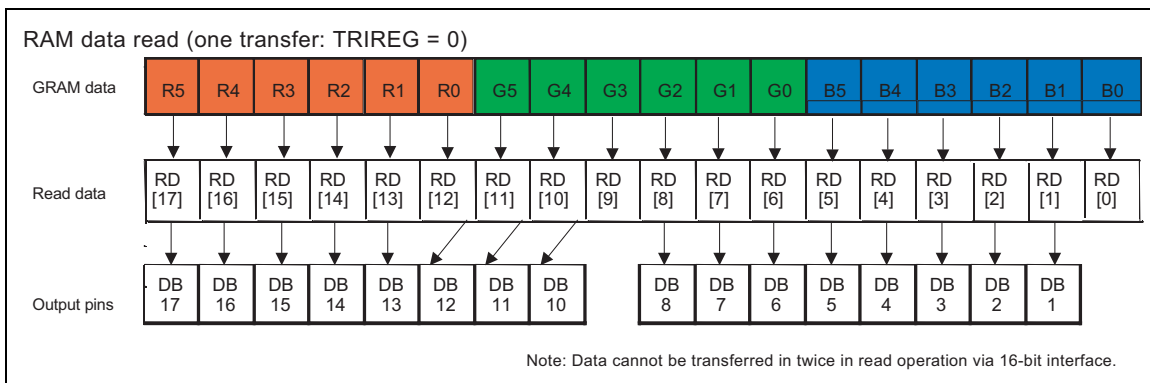


Figure 14 16-bit Interface Data Format (Instruction Write / Device Code Read)

## R61505U



**Figure 15 16-bit Interface Data Format (RAM data write)**

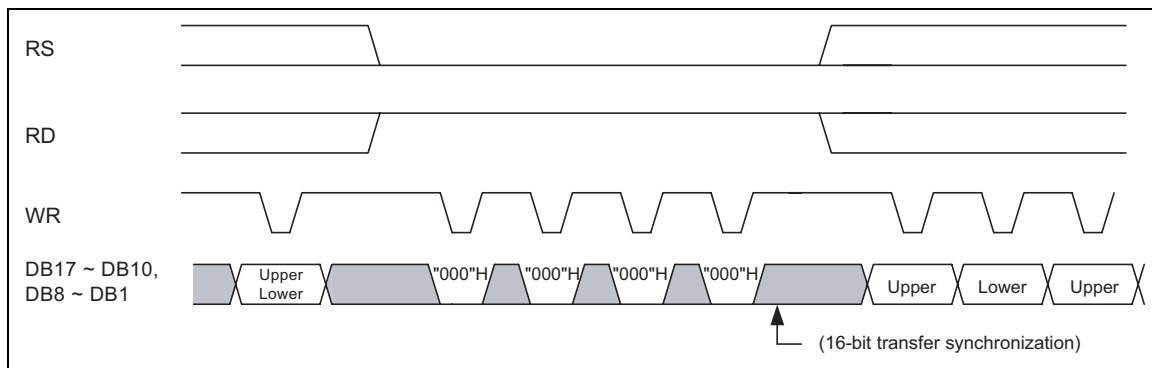


**Figure 16 16-bit Interface Data Format (RAM data read)**

**Data Transfer Synchronization in 16-bit Bus Interface operation**

The R61505U supports data transfer synchronization function to reset the counters for upper 16-/2-bit and lower 2-/16-bit transfers in 16-bit 2-transfer mode. When a mismatch occurs in upper and lower data transfers due to noise and so on, the 000H instruction is written four times consecutively to reset the upper and lower counters in order to restart the data transfer from upper 2/16 bits. The data transfer synchronization, when executed periodically, can help the display system recover from runaway.

Make sure to execute data transfer synchronization after reset operation before transferring instruction.

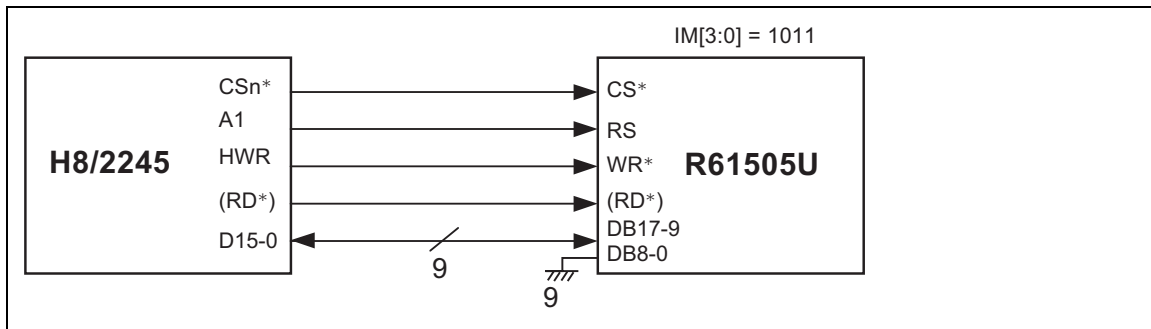


**Figure 17 16-bit Data Transfer Synchronization**

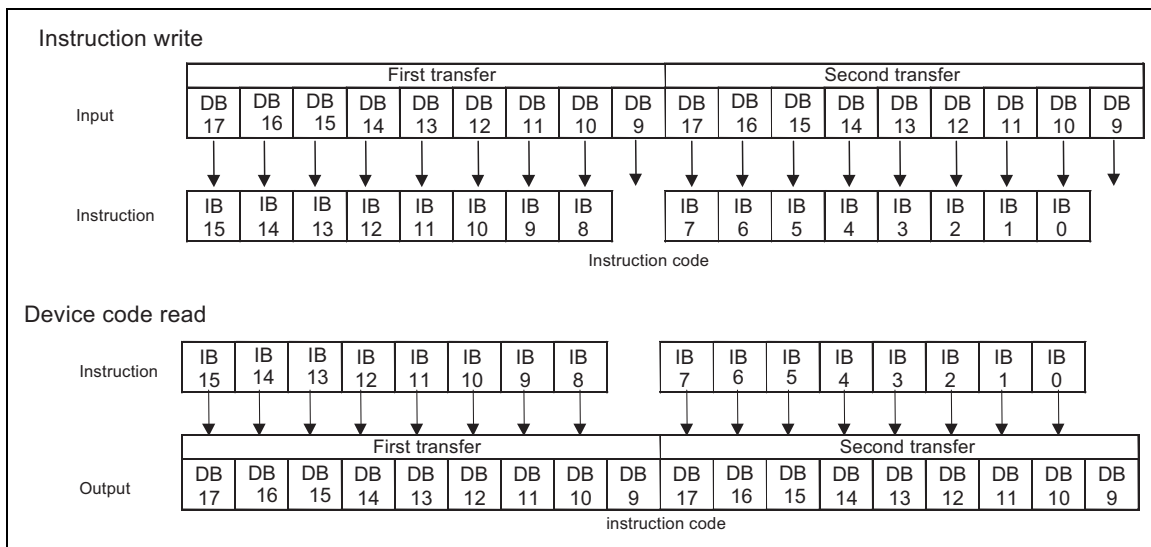


**80-system 9-bit Bus Interface**

When transferring 16-bit instruction, it is divided into upper and lower 8 bits, and the upper 8 bits are transferred first (the LSB is not used). The RAM write data is also divided into upper and lower 9 bits, and the upper 9 bits are transferred first. The unused DB pins must be fixed at either IOVCC or IOGND level. When transferring the index register setting, make sure to write upper byte (8 bits).

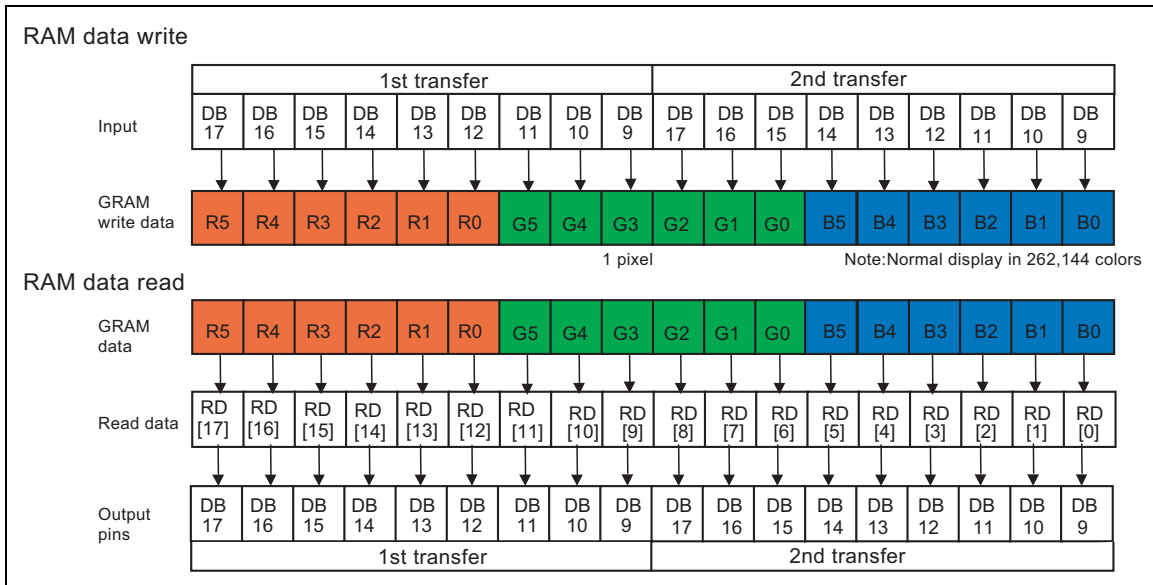


**Figure 18 9-bit interface**



**Figure 19 9-bit Interface Data Format (Instruction Write / Device Code Read)**

## R61505U

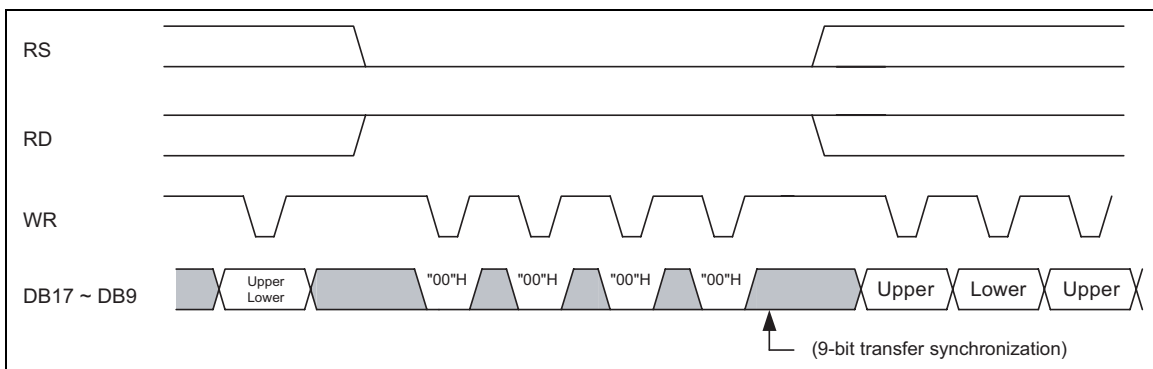


**Figure 20 9-bit Interface Data Format (RAM Data Write/ RAM Data Read)**

### Data Transfer Synchronization in 9-bit Bus Interface operation

The R61505U supports data transfer synchronization function to reset the counters for upper and lower 9-bit transfers in 9-bit bus transfer mode. When a mismatch occurs in upper and lower data transfers due to noise and so on, the 00H instruction is written four times consecutively to reset the upper and lower counters in order to restart the data transfer from upper 9 bits. The data transfer synchronization, when executed periodically, can help the display system recover from runaway.

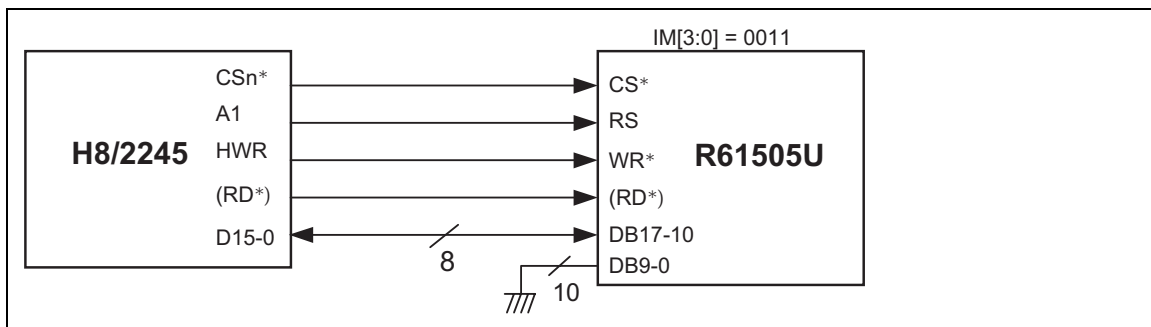
Make sure to execute data transfer synchronization after reset operation before transferring instruction.



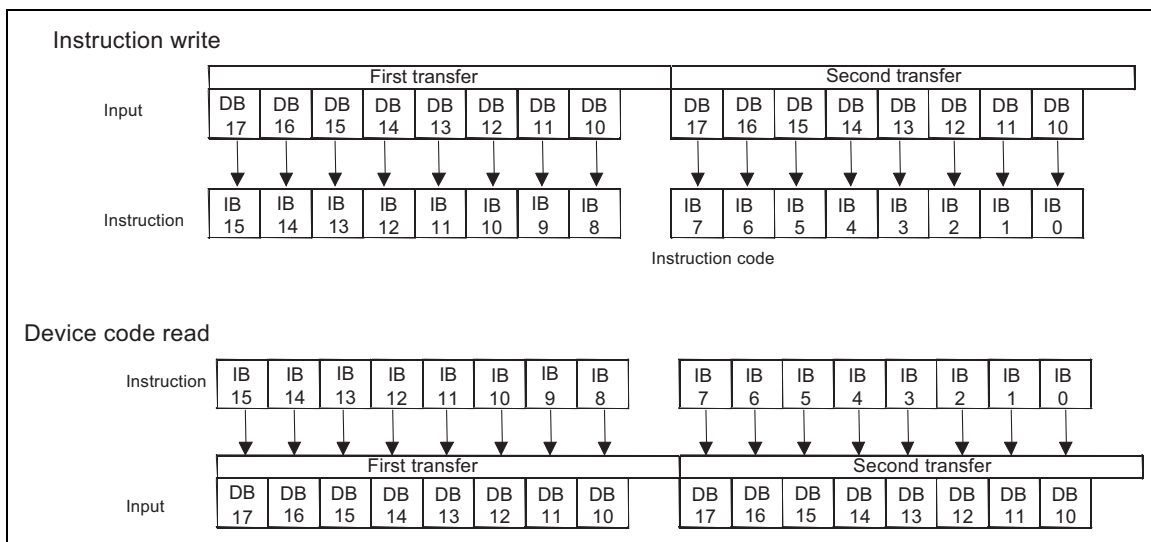
**Figure 21 9-bit Data Transfer Synchronization**

**80-system 8-bit Bus Interface**

When transferring 16-bit instruction, it is divided into upper and lower 8 bits, and the upper 8 bits are transferred first. The RAM write data is also divided into upper and lower 8 bits, and the upper 8 bits are transferred first. The RAM write data is expanded into 18 bits internally as shown below. The unused DB pins must be fixed at either IOVCC or IOGND level. When transferring the index register setting, make sure to write upper byte (8 bits).



**Figure 22 8-bit interface**



**Figure 23 8-bit Interface Data Format (Instruction Write / Device Code Read)**

# R61505U

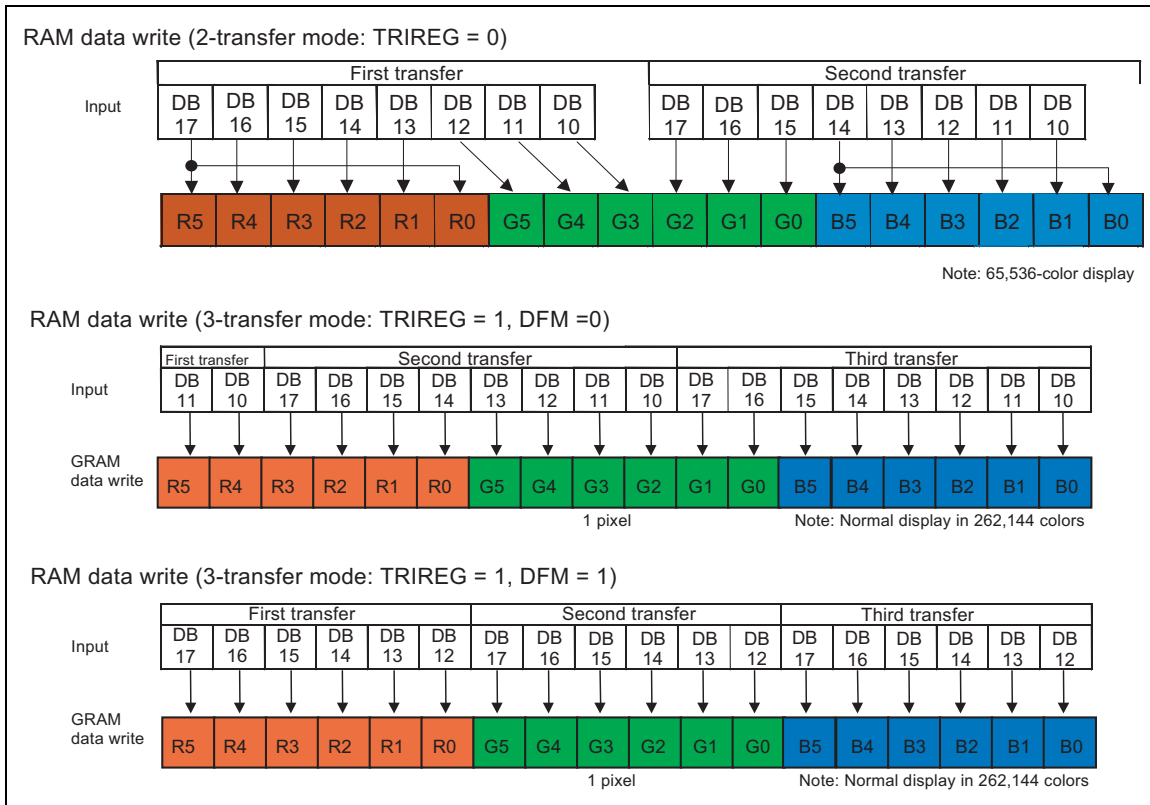


Figure 24 8-bit Interface Data Format (RAM Data Write)

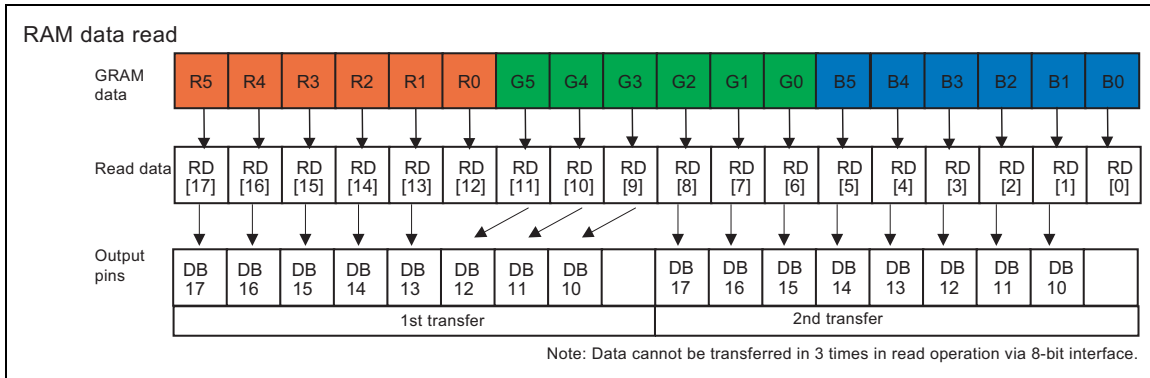
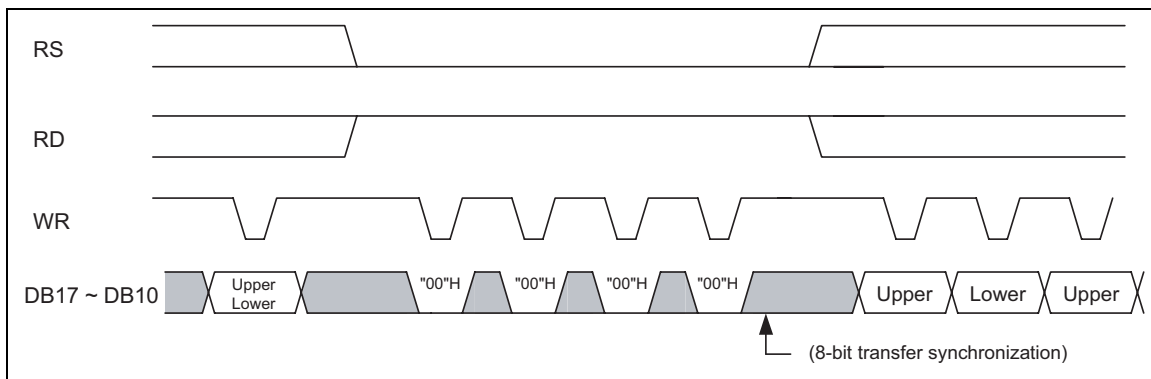


Figure 25 8-bit Interface Data Format (RAM Data Read)

**Data Transfer Synchronization in 8-bit Bus Interface operation**

The R61505U supports data transfer synchronization function to reset the counters for upper and lower 8-bit transfers in 8-bit bus transfer mode. When a mismatch occurs in upper and lower data transfers due to noise and so on, the 00H instruction is written four times consecutively to reset the upper and lower counters in order to restart the data transfer from upper 8 bits. The data transfer synchronization, when executed periodically, can help the display system recover from runaway.

Make sure to execute data transfer synchronization after reset operation before transferring instruction.



**Figure 26 8-bit Data Transfer Synchronization**

## R61505U

---

### Serial Interface

The serial interface is selected by setting the IM3/2/1 pins to the IOGND/IOVCC/IOGND levels, respectively. The data is transferred via chip select line (CS), serial transfer clock line (SCL), serial data input line (SDI), and serial data output line (SDO). In serial interface operation, the IM0/ID pin functions as the ID pin, and the DB17-0 pins, not used in this mode, must be fixed at either IOVCC or GND level.

The R61505U recognizes the start of data transfer on the falling edge of CS input and starts transferring the start byte. It recognizes the end of data transfer on the rising edge of CS input. The R61505U is selected when the 6-bit chip address in the start byte transferred from the transmission unit and the 6-bit device identification code assigned to the R61505U are compared and both 6-bit data match. Then, the R61505U starts taking in subsequent data. The least significant bit of the device identification code is determined by setting the ID pin. Send "01110" to the five upper bits of the device identification code. Two different chip addresses must be assigned to the R61505U because the seventh bit of the start byte is register select bit (RS). When RS = 0, index register write operation is executed. When RS = 1, either instruction write operation or RAM read/write operation is executed. The eighth bit of the start byte is R/W bit, which selects either read or write operation. The R61505U receives data when the R/W = 0, and transfers data when the R/W = 1.

When writing data to the GRAM via serial interface, the data is written to the GRAM after it is transferred in two bytes. The R61505U writes data to the GRAM in units of 18 bits by adding the same bits as the MSBs to the LSB of R and B dot data.

After receiving the start byte, the R61505U starts transferring or receiving data in units of bytes. The R61505U transfers data from the MSB. The R61505U's instruction consists of 16 bits and it is executed inside the R61505U after it is transferred in two bytes (16 bits: DB15-0) from the MSB. The R61505U expands RAM write data into 18 bits when writing them to the internal GRAM. The first byte received by the R61505U following the start byte is recognized as the upper eight bits of instruction and the second byte is recognized as the lower 8 bits of instruction.

When reading data from the GRAM, valid data is not transferred to the data bus until first five bytes of data are read from the GRAM following the start byte. The R61505U sends valid data to the data bus when it reads the sixth and subsequent byte data.

**Table 69 Start Byte Format**

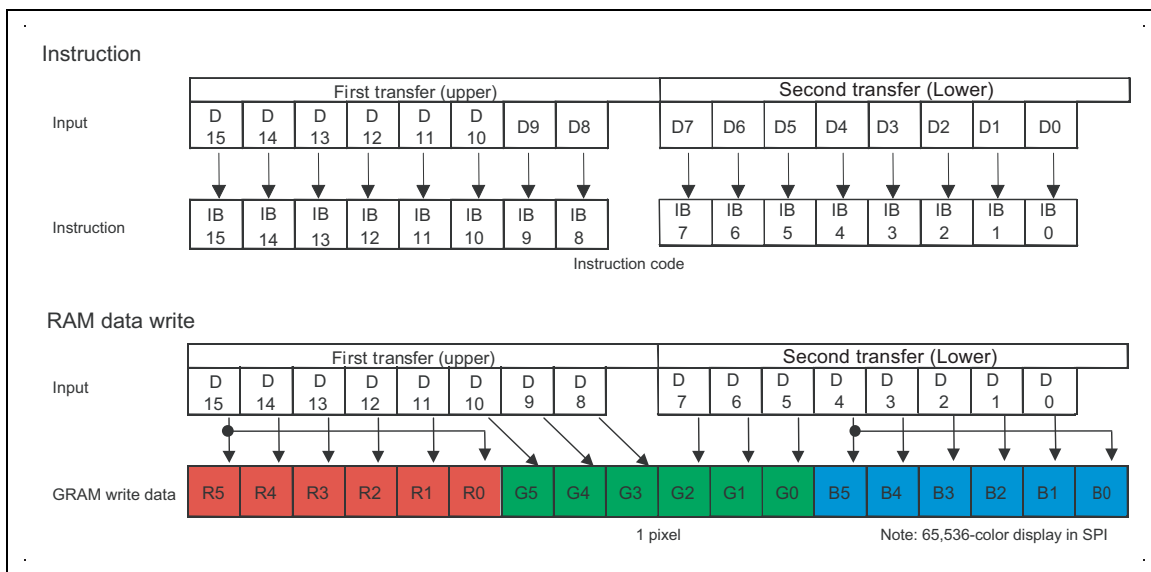
Transferred Bits	S	1	2	3	4	5	6	7	8	
Start byte format	Transfer start	Device ID code							RS	R/W
		0	1	1	1	0	ID			

Note: The ID bit is determined by setting the IM0/ID pin.

## R61505U

**Table 70 Functions of RS, R/W bits**

RS	R/W	Function
0	0	Set index register
0	1	Setting inhibited
1	0	Write instruction or RAM data
1	1	Read register settings or RAM data



**Figure 27 Serial interface Data Format**

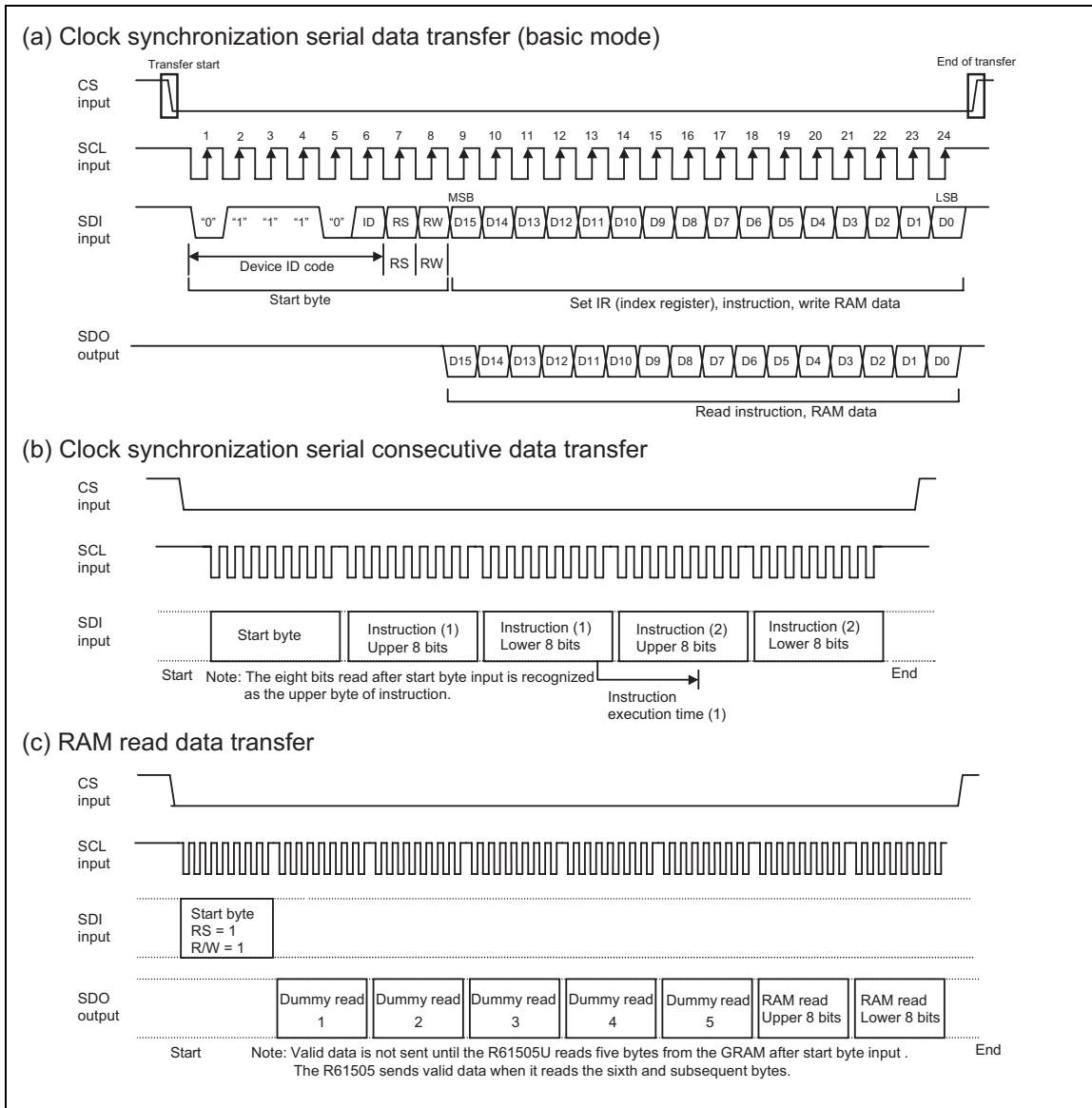


Figure 28 Data Transfer in Serial interface



### VSYNC Interface

The R61505U supports VSYNC interface, which enables displaying a moving picture via system interface by synchronizing the display operation with the VSYNC signal. VSYNC interface can realize moving picture display with minimum modification to the conventional system operation.

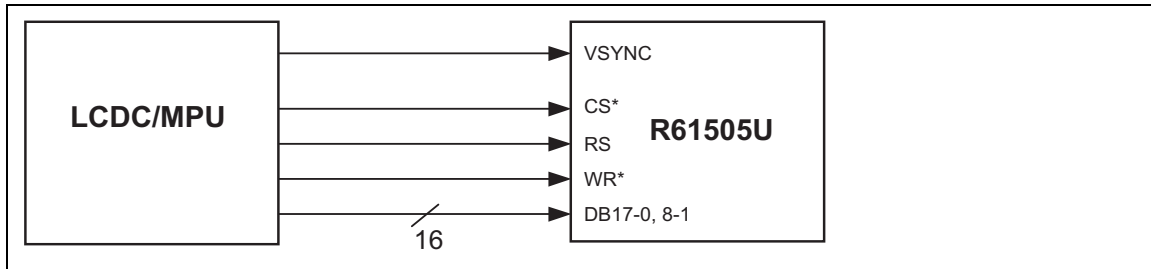


Figure 29 VSYNC Interface

The VSYNC interface is selected by setting DM1-0 = 10 and RM = 0. In VSYNC interface operation, the internal display operation is synchronized with the VSYNC signal. By writing data to the internal RAM at faster than the calculated minimum speed (internal display operation speed + margin), it becomes possible to rewrite the moving picture data without flickering the display and display a moving picture via system interface.

The display operation is performed in synchronization with the internal clock signal generated from the internal oscillator and the VSYNC signal. The display data is written in the internal RAM so that the R61505U rewrites the data only within the moving picture area and minimize the number of data transfer required for moving picture display. By writing data using high-speed write function (HWM=1), the R61505U can write data via VSYNC interface in high speed with low power consumption.

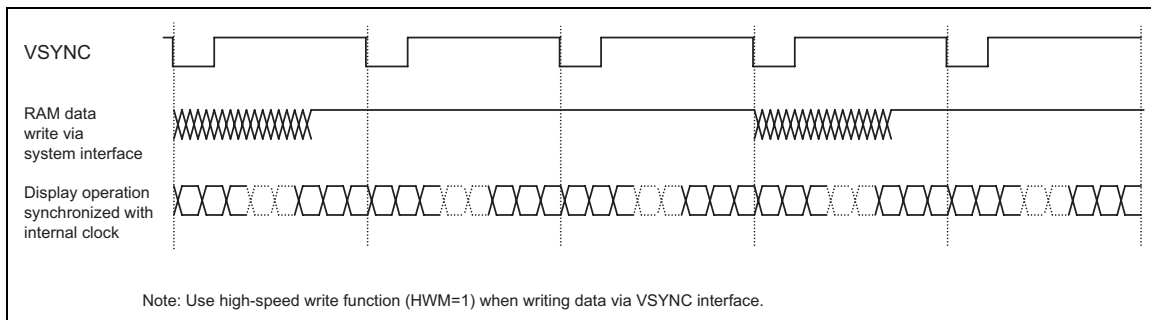


Figure 30 Moving Picture Data Transfers via VSYNC Interface

## R61505U

---

The VSYNC interface has the minimum for RAM data write speed and internal clock frequency, which must be more than the values calculated from the following formulas, respectively.

$$\begin{aligned} & \text{Internal clock frequency (fosc) [Hz]} \\ & = \text{FrameFrequency} \times (\text{DisplayLines(NL)} + \text{FrontPorch(FP)} + \text{BackPorch(BP)}) \times 16(\text{clocks}) \times \text{variance} \end{aligned}$$

$$\text{RAMWriteSpeed (min.) [Hz]} > \frac{240 \times \text{DisplayLines(NL)}}{(\text{BackPorch(BP)} + \text{DisplayLines(NL)} - \text{margins}) \times 16(\text{clocks}) \times \frac{1}{\text{fosc}}}$$

Note: When RAM write operation is not started right after the falling edge of VSYNC, the time from the falling edge of VSYNC until the start of RAM write operation must also be taken into account.

An example of calculating minimum RAM writing speed and internal clock frequency in VSYNC interface operation is as follows.

### [Example]

Panel size	240 RGB × 320 lines (NL = 6'h27: 320 lines)
Total number of lines (NL)	320 lines
Back/front porch	14/2 lines (BP = 4'h'E, FP = 4'h'2)
Frame frequency	65 Hz

$$\begin{aligned} & \text{Internal clock frequency (fosc) [Hz]} \\ & = 65 \text{ Hz} \times (320 + 2 + 14) \text{ lines} \times 16 \text{ clocks} \times 1.07 / 0.93 = 402 \text{ kHz} \end{aligned}$$

- Notes:
1. When setting the internal clock frequency, possible causes of fluctuation must also be taken into consideration. In this example, the internal clock frequency allows for a margin of ±10% for variances and guarantee that display operation is completed within one VSYNC cycle.
  2. This example includes variances attributed to LSI fabrication process and room temperature. Other possible causes of variances, such as differences in external resistors and voltage change are not considered in this example. It is necessary to include a margin for these factors.

$$\begin{aligned} & \text{Minimum speed for RAM writing [Hz]} \\ & > 240 \times 320 / \{((14 + 320 - 2) \text{ lines} \times 16 \text{ clocks}) \times 1/402 \text{ kHz}\} = 5.81 \text{ MHz} \end{aligned}$$

- Notes:
1. In this example, it is assumed that the R61505U starts writing data in the internal RAM on the falling edge of VSYNC.
  2. There must be at least a margin of 2 lines between the line to which the R61505U has just written data and the line where display operation on the LCD is performed.

In this example, the RAM write operation at a speed of 5.7MHz or more, which starts on the falling edge of VSYNC, guarantees the completion of data write operation in a certain line address before the R61505U starts the display operation of the data written in that line and can write moving picture data without causing flicker on the display.

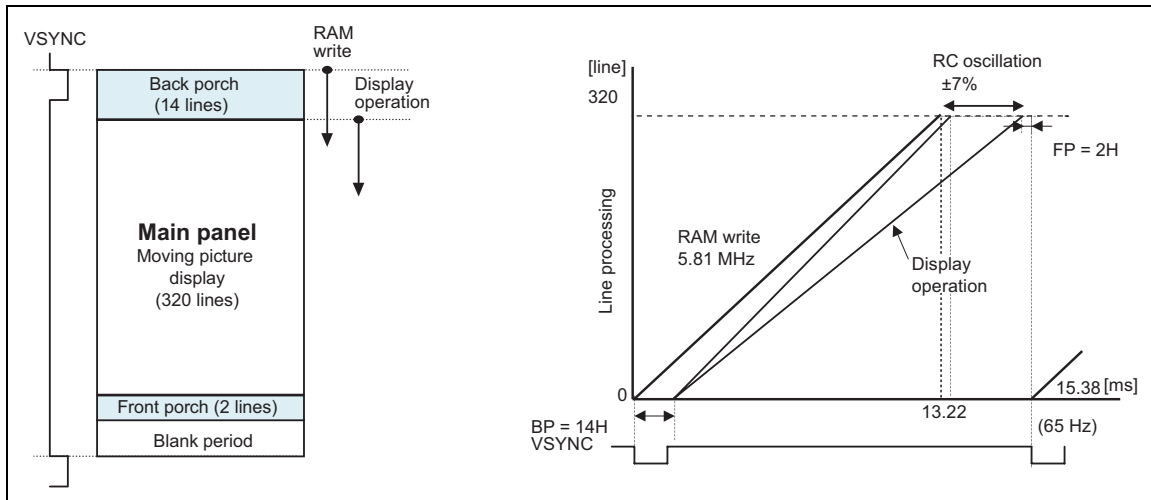


Figure 31 Write/Display Operation Timing via VSYNC Interface

Notes to VSYNC Interface operation

1. The above example of calculation gives a theoretical value. Possible causes of variances of internal oscillator should be taken into consideration. Make enough margin in setting RAM write speed for VSYNC interface operation.
2. The above example shows the values when writing over the full screen. Extra margin will be created if the moving picture display area is smaller than that.

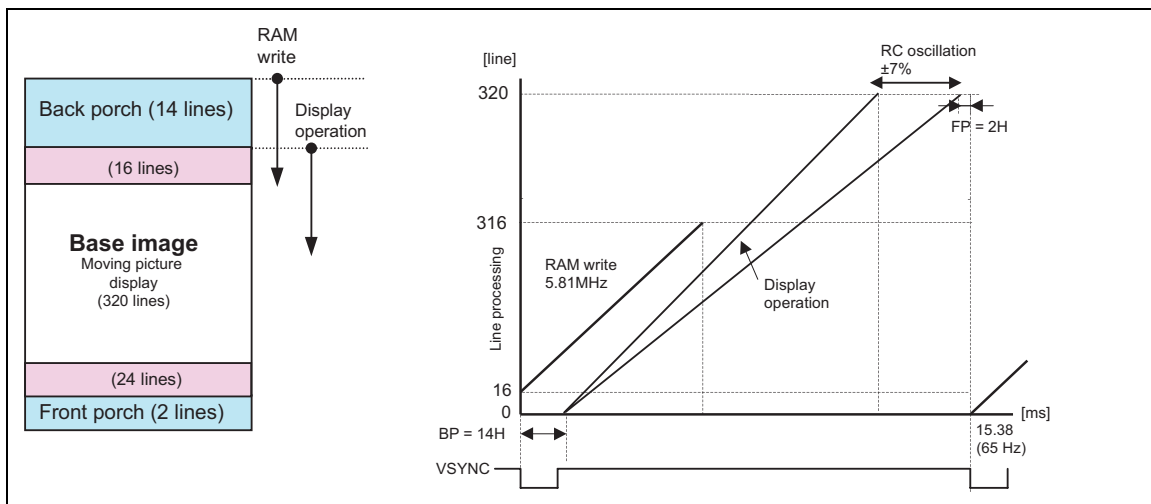
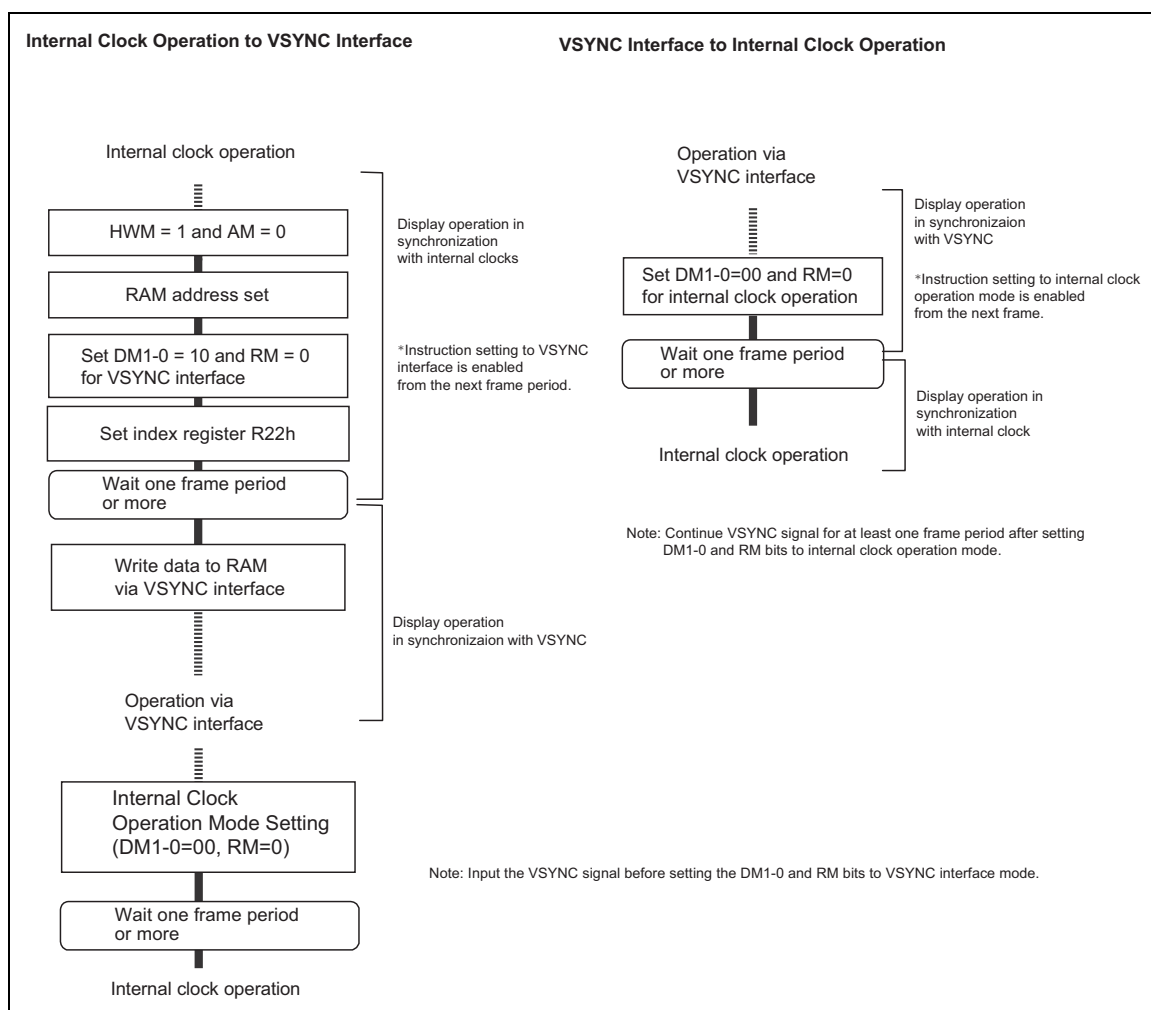


Figure 32 RAM Write Speed Margins

## R61505U

3. The front porch period continues from the end of one frame period to the next VSYNC input.
4. The instructions to switch from internal clock operation (DM1-0 = 00) to VSYNC interface operation modes and vice versa are enabled from the next frame period.
5. The partial display and vertical scroll functions are not available in VSYNC interface operation.
6. In VSYNC interface operation, set AM = 0 to transfer display data correctly.
7. In VSYNC interface operation, use high-speed write function (HWM = 1) when writing display data to the internal RAM.



**Figure 33 Sequences to Switch between VSYNC and Internal Clock Operation Modes**

### FMARK Interface

In the FMARK interface operation, data is written to internal RAM via system interface synchronizing with the frame mark signal (FMARK), realizing tearing less video image while using conventional system interface. FMARK output position is set in units of line using FMP bit. Set the bit considering data transfer speed.

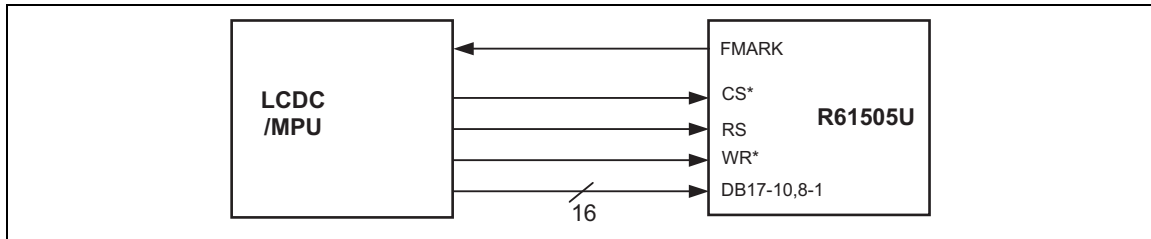


Figure 34 Display synchronous data transfer interface

In this operation, moving picture display is enabled via system interface by writing data at higher than the internal display operation frequency to a certain degree, which guarantees rewriting the moving picture RAM area without causing flicker on the display.

The data is written in the internal RAM. Therefore, when moving picture is displayed, data is written only to the moving picture display area without using RGB or VSYNC interface, minimizing number of data transfer required for moving picture display. High-speed write function (HWM = 1) enables writing data in high speed with low power consumption.

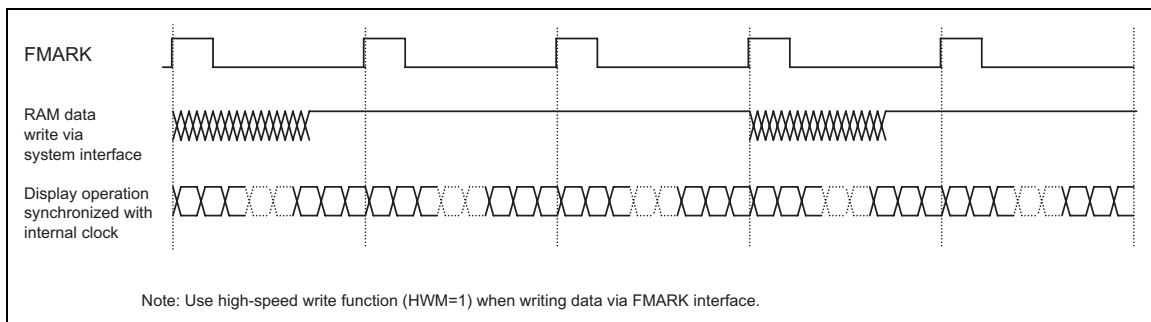


Figure 35 Moving Picture Data Transfers via FMARK function

When transferring data in synchronization with FMARK signal, minimum RAM data write speed and internal clock frequency must be taken into consideration. They must be more than the values calculated from the following equations.

$$\begin{aligned} & \text{Internal clock frequency (fosc) [Hz]} \\ & = \text{FrameFrequency} \times (\text{DisplayLines}(\text{NL}) + \text{FrontPorch}(\text{FP}) + \text{BackPorch}(\text{BP})) \times 16(\text{clocks}) \times \text{variance} \end{aligned}$$

$$\text{RAMWriteSpeed}(\text{min.})[\text{Hz}] > \frac{240 \times \text{DisplayLines}(\text{NL})}{(\text{FrontPorch}(\text{FP}) + \text{BackPorch}(\text{BP}) + \text{DisplayLines}(\text{NL}) - \text{margin}) \times 16(\text{clocks}) \times \frac{1}{fosc}}$$

## R61505U

---

Note: When RAM write operation is not started immediately following the rising edge of FMARK, the time from the rising edge of FMARK until the start of RAM write operation must also be taken into account.

Examples of calculating minimum RAM data write speed and internal clock frequency is as follows.

### [Example]

Panel size	240 RGB × 320 lines (NL = 6'h27)
Total number of lines (NL)	320 lines
Back/front porch	14/2 lines (BP = 4'h'E, FP = 4'h2)
Frame marker position (FMP)	Display end line: 320 <sup>th</sup> (FMP = 9'h14E)
Frame frequency	65 Hz

### Internal clock frequency (fosc) [Hz]

$$= 65 \text{ Hz} \times (320 + 2 + 14) \text{ lines} \times 16 \text{ clocks} \times 1.07 / 0.93 = 402 \text{ kHz}$$

Notes: 1. When setting the internal clock frequency, possible causes of fluctuation must also be taken into consideration. In this example, the internal clock frequency allows for a margin of ±10% for variances and guarantee that display operation is completed within one FMARK cycle.

2. This example includes variances attributed to LSI fabrication process and room temperature. Other possible causes of variances, such as differences in external resistors and voltage change are not considered in this example. It is necessary to include a margin for these factors.

### Minimum speed for RAM writing [Hz]

$$> 240 \times 320 / \{(2+14 + 320 - 2) \text{ lines} \times 16 \text{ clocks}\} \times 1/402 \text{ kHz} = 5.81 \text{ MHz}$$

Notes: 1. In this example, it is assumed that the R61505U starts writing data in the internal RAM on the rising edge of FMARK.

2. There must be at least a margin of 2 lines between the line to which the R61505U has just written data and the line where display operation on the LCD is performed.

3. The FMARK signal output position is set to the line specified by FMP[8:0] bits.

In this example, RAM write operation at a speed of 5.81MHz or more, when starting on the rising edge of FMARK, guarantees the completion of data write operation in a certain line address before the R61505U starts the display operation of the data written in that line and can write moving picture data without causing flicker on the display.

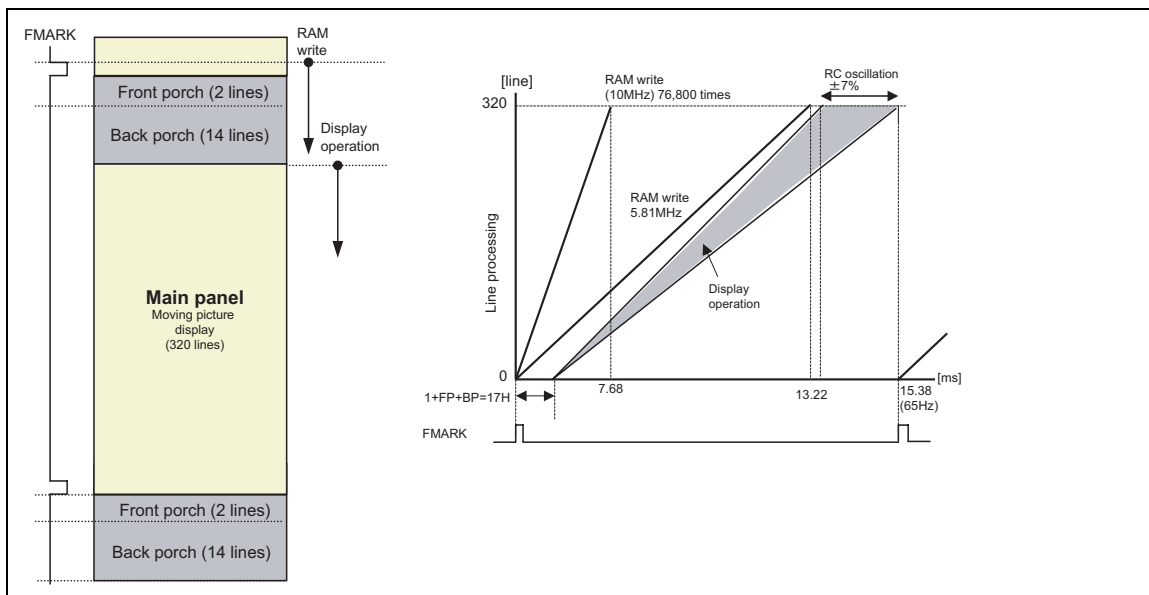


Figure 36

Notes to display operation synchronous data transfer using FMARK signal

1. The above example of calculation gives a theoretical value. Possible causes of variances of internal oscillator should be taken into consideration. Make enough margin in setting RAM write speed for this operation.
2. Use high-speed write function (HWM = 1).

### **FMP bit setting**

The microcomputer detects FMARK signal outputted at the position defined by FMP bit. The R61505U outputs an FMARK pulse when the R61505U is driving the line specified by FMP[8:0] bits. The FMARK signal can be used as a trigger signal to write display data in synchronization with display operation by detecting the address where data is read out for display operation.

The FMARK output interval is set by FMI[2:0] bits. Set FMI[2:0] bits in accordance with display data rewrite cycle and data transfer rate. This setting is enabled when FMARKOE = 1.

## R61505U

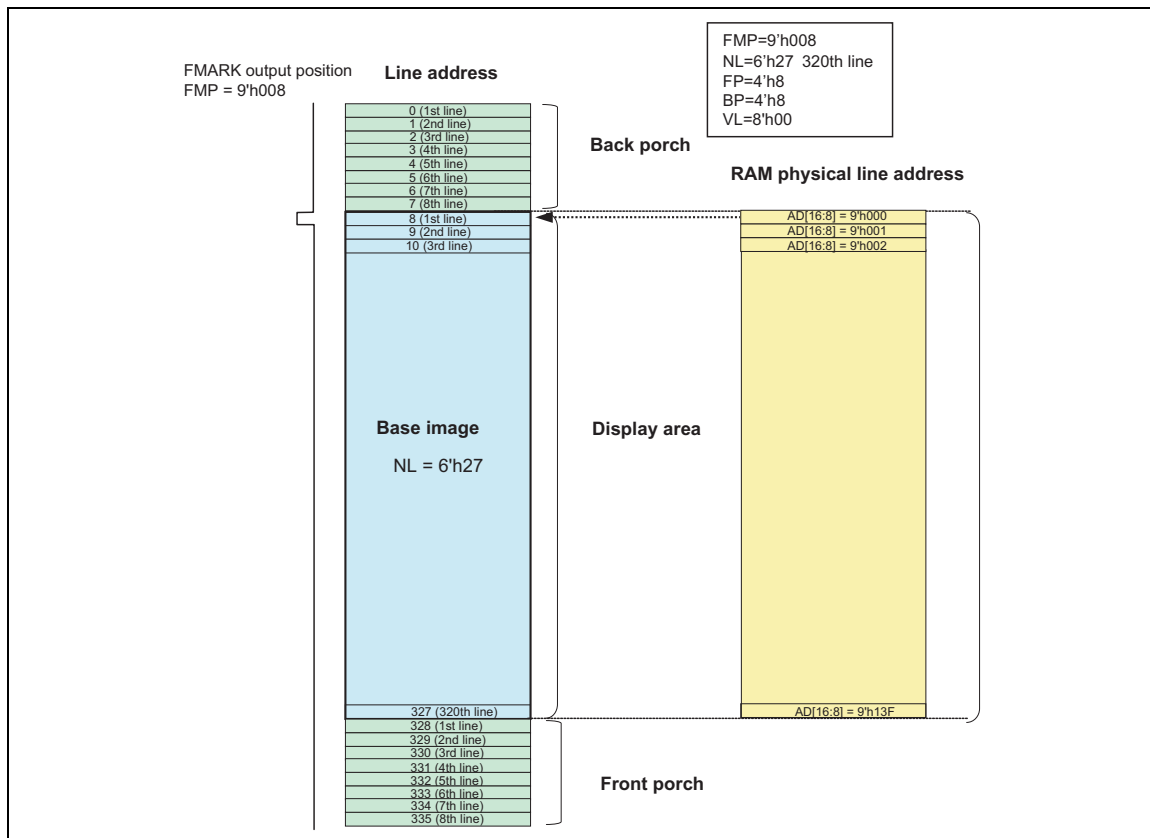
**Table 71**

FMP[8:0]	FMARK output position
9'h000	0
9'h001	1 <sup>st</sup> line
9'h002	2 <sup>nd</sup> line
:	:
9'h14D	333 <sup>rd</sup> line
9'h14E	334 <sup>th</sup> line
9'h14F	335 <sup>th</sup> line
9'h150 ~ 1FF	Setting disabled

**Table 72**

FMI[2]	FMI[1]	FMI[0]	FMARK Output interval
0	0	0	One frame period
0	0	1	2 frame periods
0	1	1	4 frame periods
1	0	1	6 frame periods
Other setting			Setting disabled

### FMP setting example



**Figure 37**



## R61505U

---

### External Display Interface

The R61505U supports the RGB interface. The interface format is set by RM[1:0] bits. The internal RAM is accessible via RGB interface.

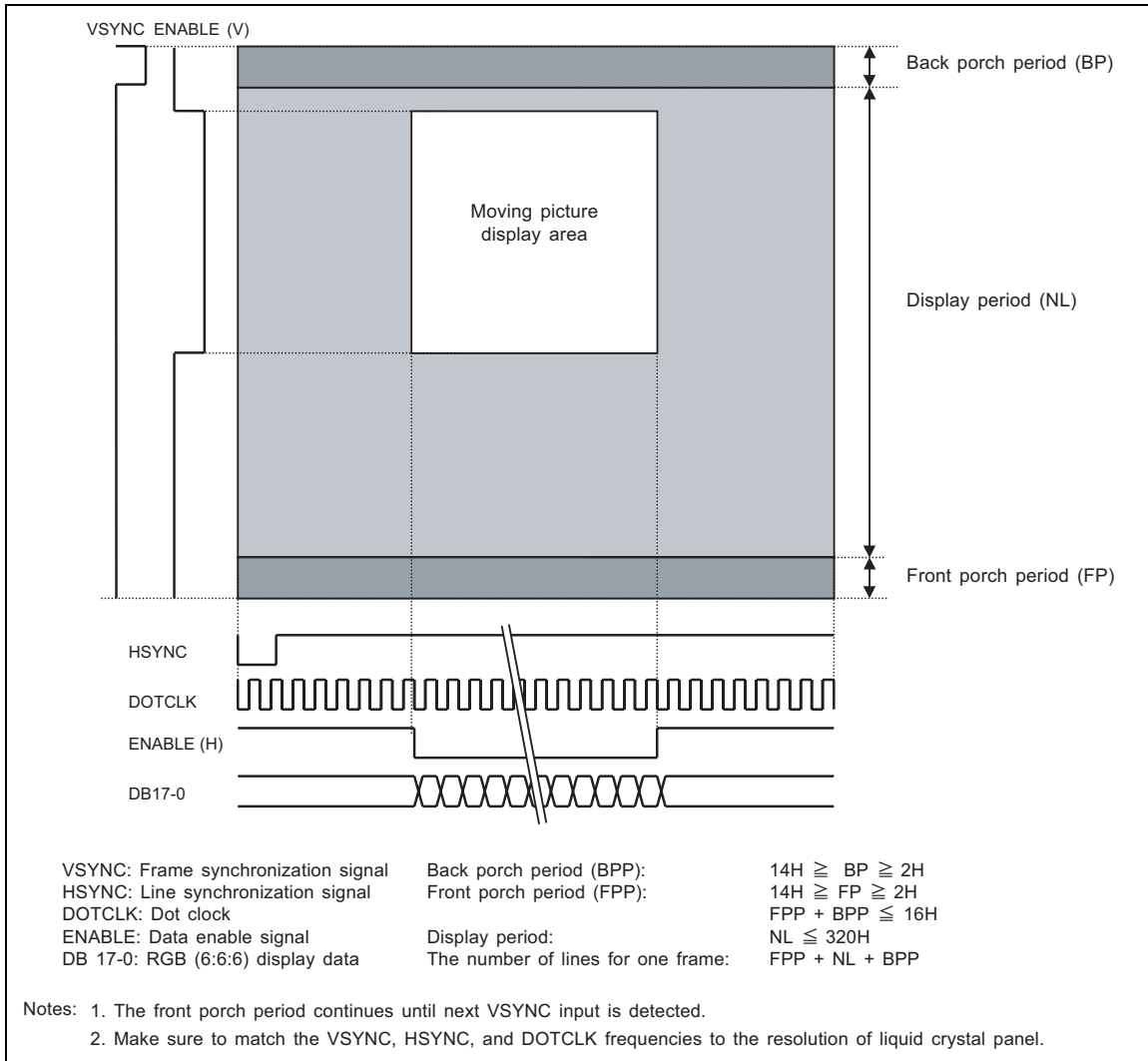
**Table 73 RGB interface**

RIM1	RIM0	RGB Interface	DB Pin
0	0	18-bit RGB interface	DB17-0
0	1	16-bit RGB interface	DB17-13, DB11-1
1	0	6-bit RGB interface	DB17-12
1	1	Setting inhibited	-

Note: Using multiple interface at a time is prohibited.

**RGB Interface**

The display operation via RGB interface is synchronized with VSYNC, HSYNC, and DOTCLK. The data can be written only within the specified area with low power consumption by using window address function and high-speed write mode (HWM = 1). In RGB interface operation, front and back porch periods must be made before and after the display period.



**Figure 38 Display Operation via RGB Interface**

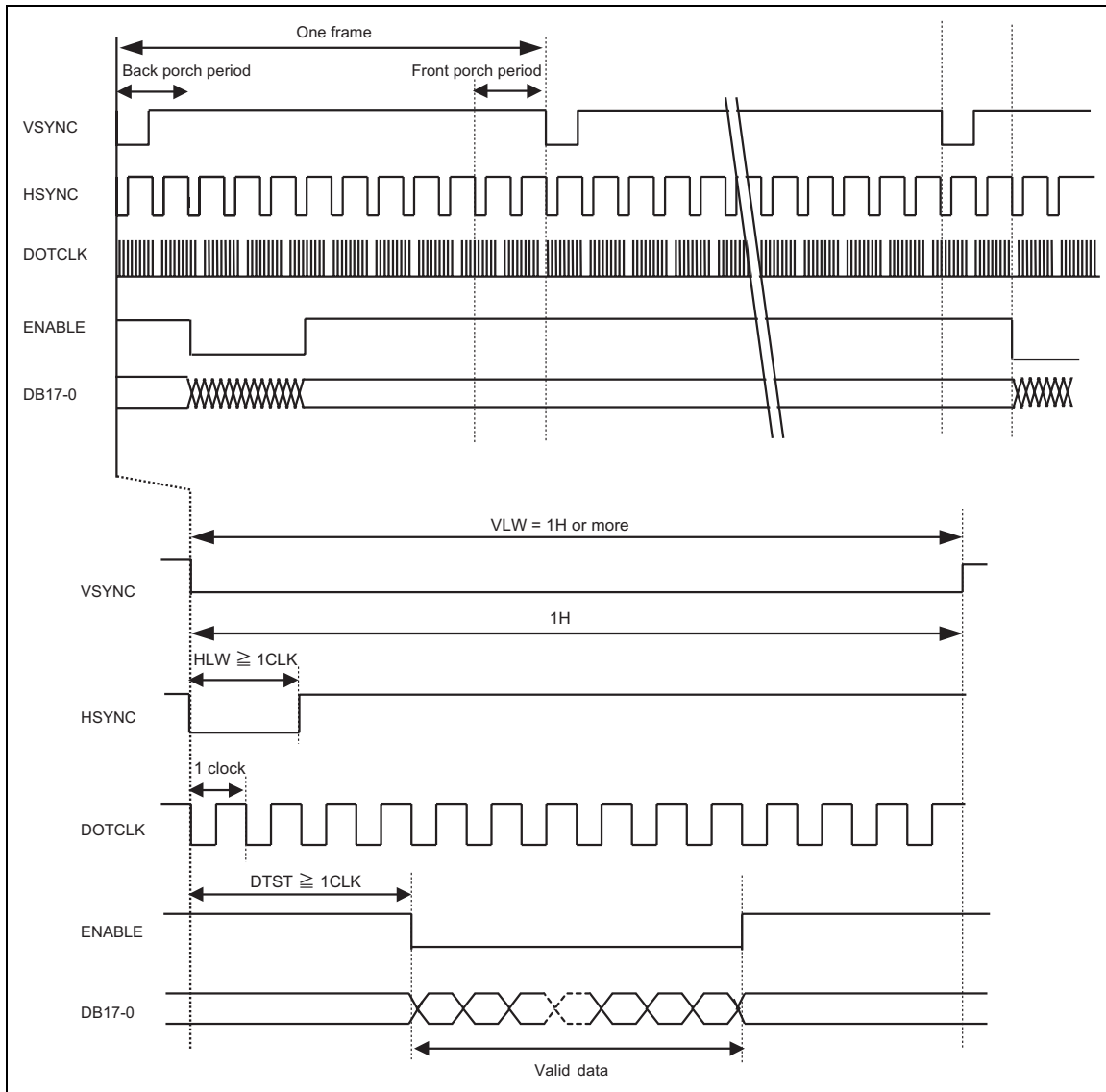
**Polarities of VSYNC, HSYNC, ENABLE, and DOTCLK Signals**

The polarities of VSYNC, HSYNC, ENABLE, and DOTCLK signals can be changed by setting the DPL, EPL, HSPL, and VSPL bits, respectively for convenience of system configuration.

**RGB Interface Timing**

The timing relationship of signals in RGB interface operation is as follows.

**16-/18-bit RGB Interface Timing**



**Figure 39**

- Notes: 1. VLW: VSYNC Low period  
 HLW: HSYNC Low period  
 DTST: data transfer setup time  
 2. Use high-speed write function (HWM = 1) when writing data via RGB interface.

6-bit RGB Interface Timing

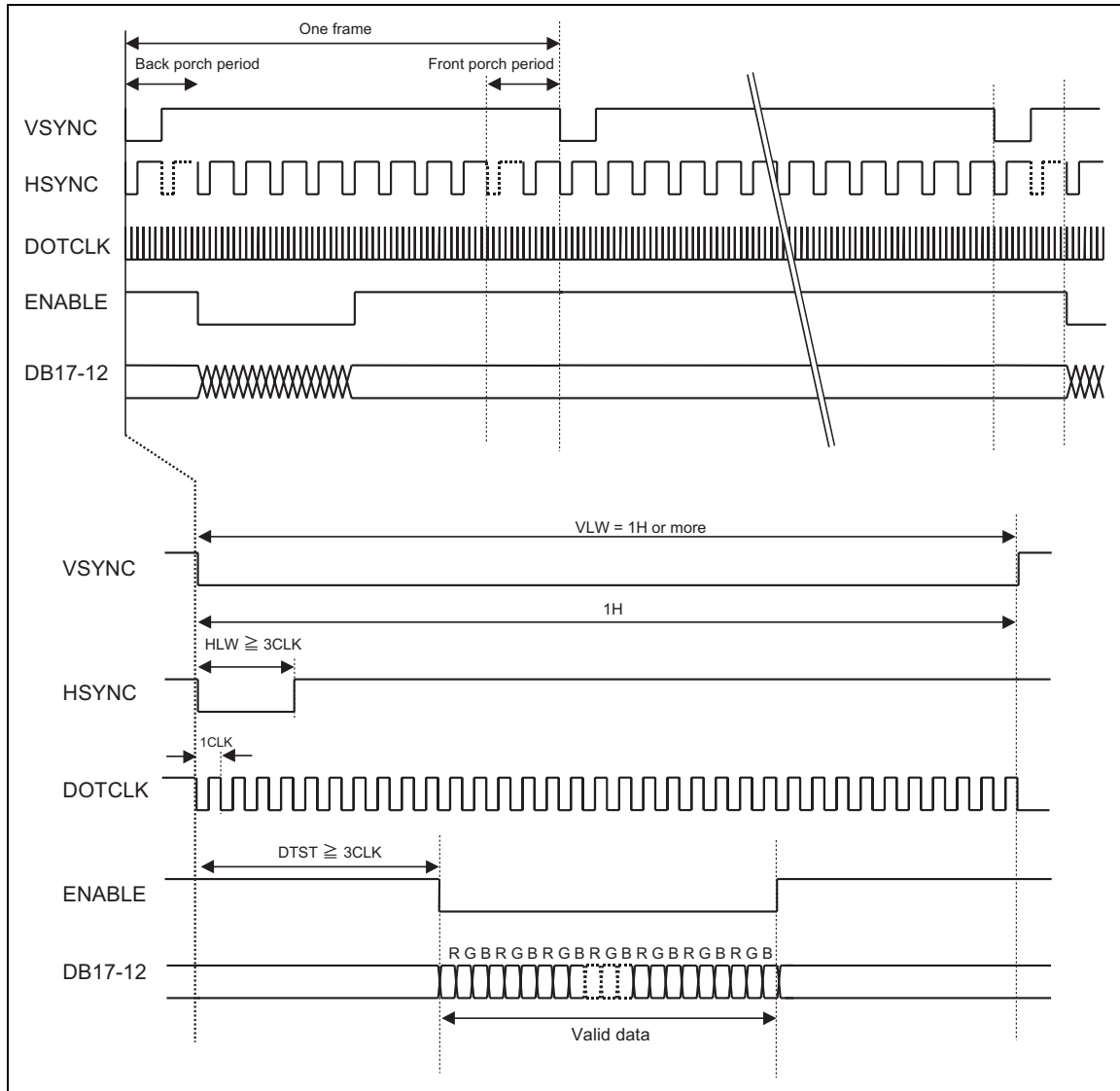


Figure 40

- Notes: 1. VLW: VSYNC Low period  
 HLW: HSYNC Low period  
 DTST: Data transfer setup time
2. Use high-speed write function (HWM = 1) when writing data via RGB interface.
3. In 6-bit RGB interface operation, set the VSYNC, HSYNC, ENABLE, DOTCLK cycles so that one pixel is transferred in units of three DOTCLKs via DB17-12.

## R61505U

---

### Moving Picture Display via RGB Interface

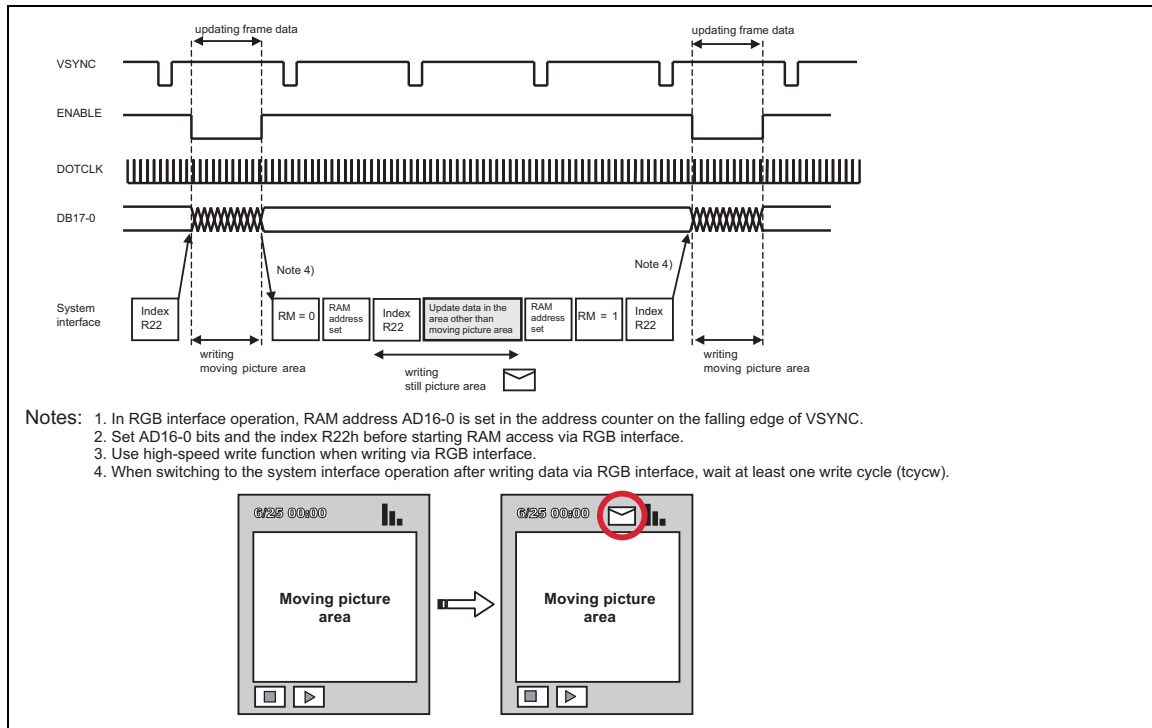
The R61505U supports RGB interface for moving picture display and incorporates RAM for storing display data, which provides the following advantages in displaying a moving picture.

1. The window address function enables transferring data only within the moving picture area
2. The high-speed write function enables RAM access in high speed with low power consumption
3. It becomes possible to transfer only the data written over the moving picture area
4. By reducing data transfer, it can contribute to lowering the power consumption of the whole system
5. The data in still picture area (icons etc.) can be written over via system interface while displaying a moving picture via RGB interface

### RAM access via system interface in RGB interface operation

The R61505U allows RAM access via system interface in RGB interface operation. In RGB interface operation, data is written to the internal RAM in synchronization with DOTCLK while ENABLE is “Low”. When writing data to the RAM via system interface, set ENABLE “High” to stop writing data via RGB interface. Then set RM = “0” to enable RAM access via system interface. When reverting to the RGB interface operation, wait for the read/write bus cycle time. Then, set RM = “1” and the index register to R22h to start accessing RAM via RGB interface. If there is a conflict between RAM accesses via two interfaces, there is no guarantee that the data is written in the RAM.

The following is an example of rewriting still picture data via system interface while displaying a moving picture via RGB interface.



**Figure 41 Updating the Still Picture Area while Displaying Moving Picture**

## R61505U

### 6-bit RGB interface

The 6-bit RGB interface is selected by setting RIM1-0 = 10. The display operation is synchronized with VSYNC, HSYNC, and DOTCLK signals. The display data is transferred to the internal RAM in synchronization with the display operation via 6-bit port while data enable signal (ENABLE) allows RAM access via RGB interface. Unused pins DB11-0 must be fixed at either IOVCC or IOGND level.

Instruction bits can be transferred only via system interface.

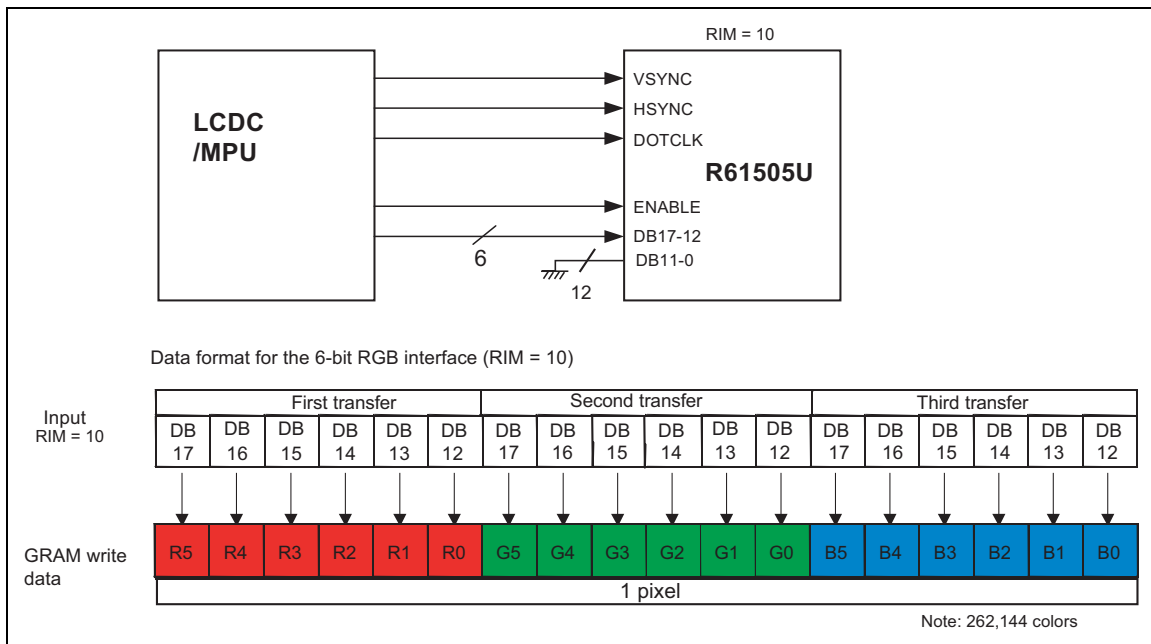
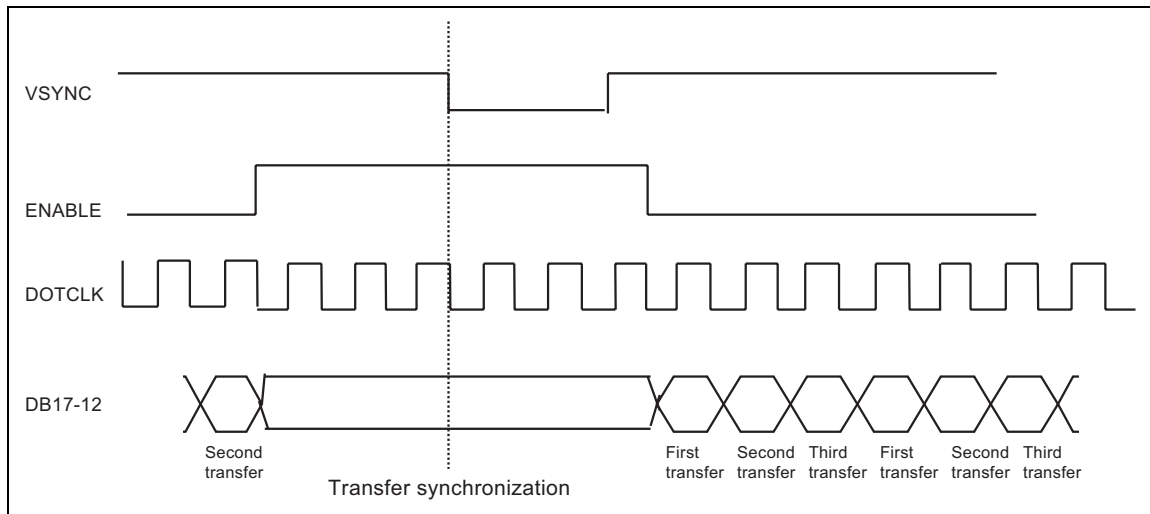


Figure 42 Example of 6-bit RGB Interface and Data Format

**Data Transfer Synchronization in 6-bit Bus Interface operation**

The R61505U has the counters, which count the first, second, third 6 bit transfers via 6-bit RGB interface. The counters are reset on the falling edge of VSYNC so that the data transfer will start from the first 6 bits of 18-bit RGB data from the next frame period. Accordingly, the data transfer via 6-bit interface can restart in correct order from the next frame period even if a mismatch occurs in transferring 6-bit data. This function can minimize the effect from data transfer mismatch and help the display system return to normal display operation when data is transferred consecutively in moving picture operation.



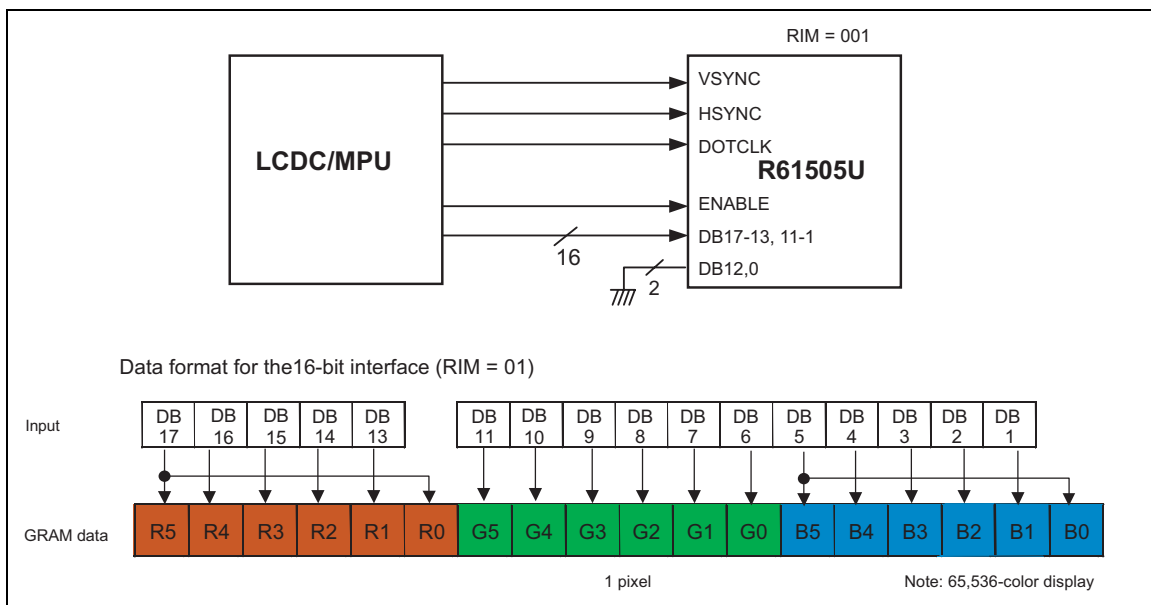
**Figure 43 6-bit Transfer Synchronization**



**16-bit RGB interface**

The 16-bit RGB interface is selected by setting RIM1-0 = 01. The display operation is synchronized with VSYNC, HSYNC, and DOTCLK signals. The display data is transferred to the internal RAM in synchronization with the display operation via 16-bit ports while data enable signal (ENABLE) allows RAM access via RGB interface.

Instruction bits can be transferred only via system interface.



**Figure 44 Example of 16-Bit RGB Interface and Data Format**

## R61505U

### 18-bit RGB interface

The 18-bit RGB interface is selected by setting RIM1-0 = 00. The display operation is synchronized with VSYNC, HSYNC, and DOTCLK signals. The display data is transferred to the internal RAM in synchronization with the display operation via 18-bit ports (DB17-0) while data enable signal (ENABLE) allows RAM access via RGB interface.

Instruction bits can be transferred only via system interface.

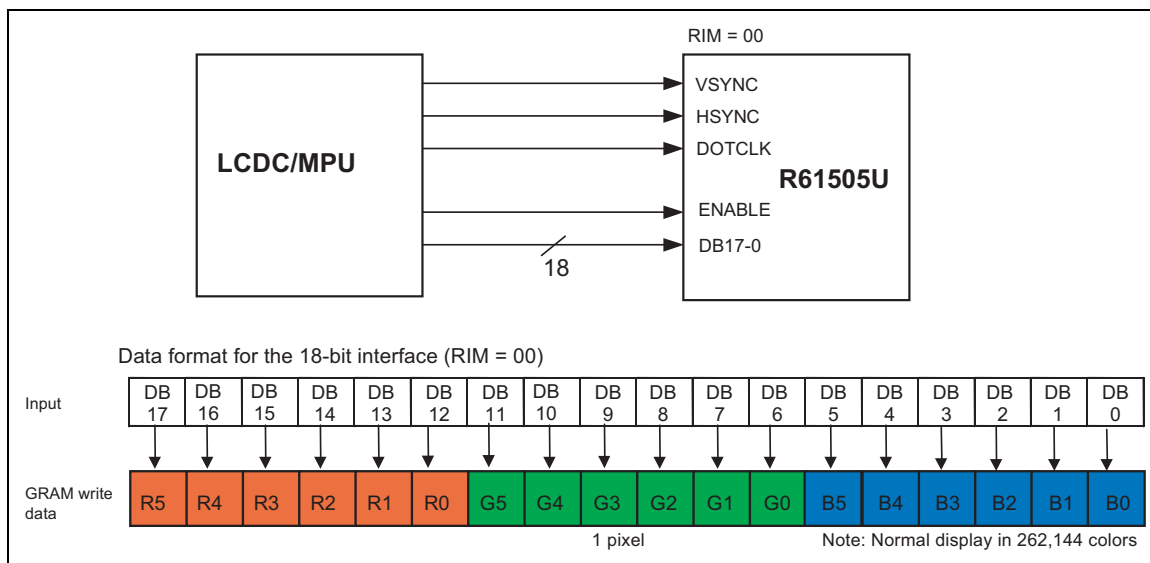


Figure 45 Example of 18-bit RGB Interface and Data Format

**Notes to external display interface operation**

a. The following functions are not available in external display interface operation.

**Table 74 Functions Not Available in External Display Interface operation**

<b>Function</b>	<b>External Display Interface</b>	<b>Internal Display Operation</b>
Partial display	Not available	Available
Scroll function	Not available	Available

b. The VSYNC, HSYNC, and DOTCLK signals must be supplied during display period.

c. The reference clock to generate liquid crystal panel controlling signals in RGB interface operation is DOTCLK, not the internal clock generated from the internal oscillator.

d. In 6-bit RGB interface operation, 6-bit dot data (R, G, and B) is transferred in synchronization with DOTCLK. In other words, it takes three DOTCLKs to transfer one pixel data.

e. In 6-bit RGB interface operation, make sure to set the cycles of VSYNC, HSYNC, DOTCLK, ENABLE signals so that the data transfer is completed in units of pixels.

f. When switching between the internal operation mode and the external display interface operation mode, follow the sequences below in setting instruction.

g. In RGB interface operation, front porch period continues after the end of frame period until next VSYNC input is detected.

h. In RGB interface operation, use high-speed write function (HWM = 1) when writing data to the internal RAM.

i. In RGB interface operation, RAM address AD16-0 is set in the address counter every frame on the falling edge of VSYNC.

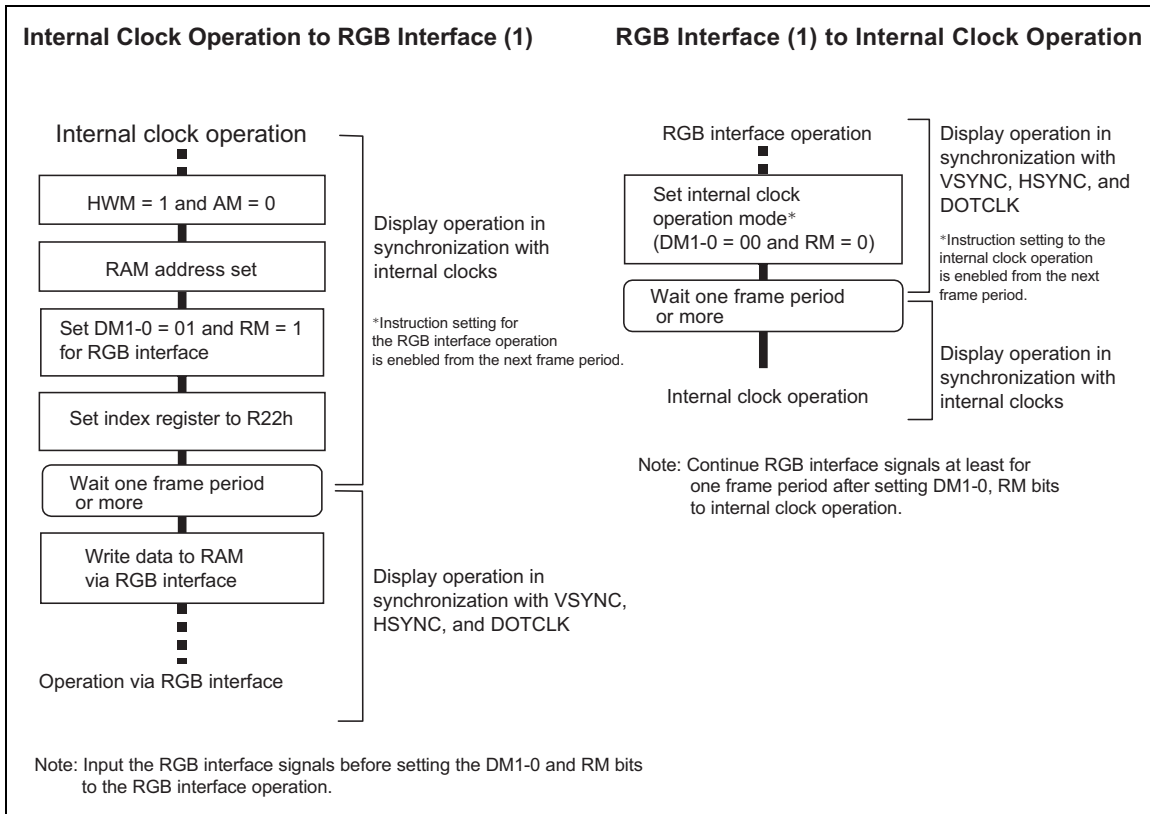


Figure 46 RGB and Internal Clock Operation Mode switching sequences

## RAM Address and Display Position on the Panel

The R61505U has memory to store display data of 240RGB x 320 lines. The R61505U incorporates a circuit to control partial display, which allows switching driving method between full-screen display mode and partial display mode.

The R61505U makes display arrangement setting and panel driving position control setting separately and specifies RAM area for each image displayed on the panel. For this reason, there is no need to take the mounting position of the panel into consideration when designing a display on the panel.

The following is the sequence of setting full-screen and partial display.

1. Set (PTSAx, PTEAx) to specify the RAM area for each partial image
2. Set the display position of each partial image on the base image by setting PTDPx.
3. Set NL to specify the number of lines to drive the liquid crystal panel to display the base image
4. After display ON, set display enable bits (BASEE, PTDE0/1) to display respective images

Normal display	BASEE = 1
Partial display 1/2	BASEE = 0, PTDE0/1 = 1

5. Changes BASEE, PTDE0/1 settings when turning on and off the full and partial displays 1/2.

In driving the liquid crystal panel, the clock signal for gate line scan is supplied consecutively via interface in accordance with the number of lines to drive the liquid crystal panel (NL setting).

When switching the display position in horizontal direction, set SS bit when writing RAM data.

**Table 75**

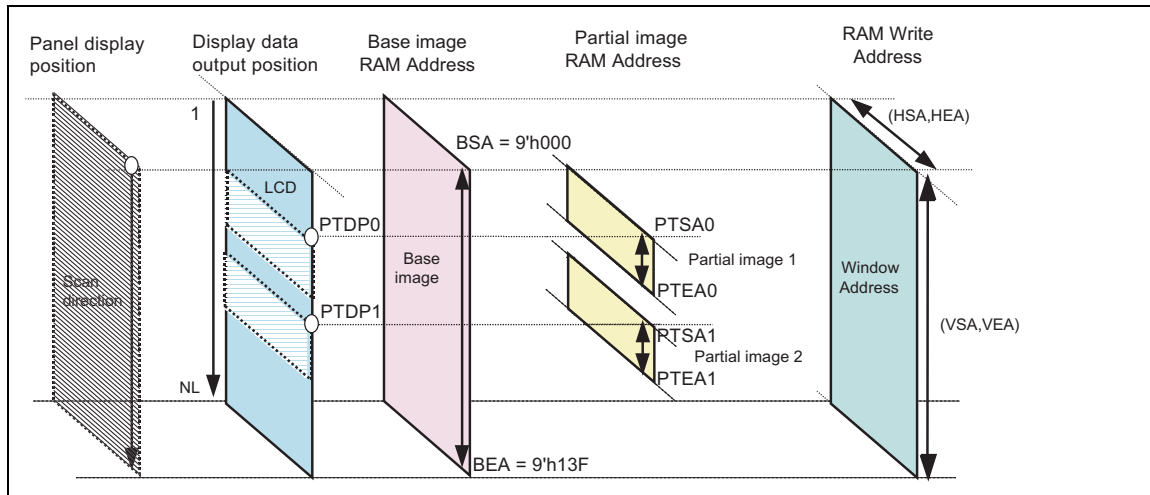
	Display ENABLE	Numbers of lines	RAM area
<b>Base image</b>	BASEE	NL	(BSA, BEA) = (9'h000, 9'h13F)

Notes 1: The base image is displayed from the first line of the screen.

- 2: Make sure  $NL \leq 320 \text{ (lines)} = BEA - BSA$  when setting a base image RAM area. BSA and BEA are fixed to 9'h000, 9'h13F, respectively.

**Table 76**

	Display ENABLE	Display position	RAM area
<b>Partial image 1</b>	PTDE0	PTDP0	(PTSA0, PTEA0)
<b>Partial image 2</b>	PTDE1	PTDP1	(PTSA1, PTEA1)



**Figure 47 RAM Address, display position and drive position**

### Restrictions in setting display control instruction

There are restrictions in coordinates setting for display data, display position and partial display.

### Screen setting

In setting the number of lines to drive the liquid crystal panel, make sure that the total number of lines is 320 lines or less ( $NL \leq 320$  lines).

### Base image display

1. The base image is displayed from the first line of the screen:  $BSA = 1^{\text{st}}$  line (of the display panel)
2. The base image RAM area (specified by  $BSA = 000$ ,  $BEA = 13F$ ) must include the same or more number of lines set by NL bits (liquid crystal panel drive lines):  $BEA - BSA = 320 \text{ lines} \geq NL$

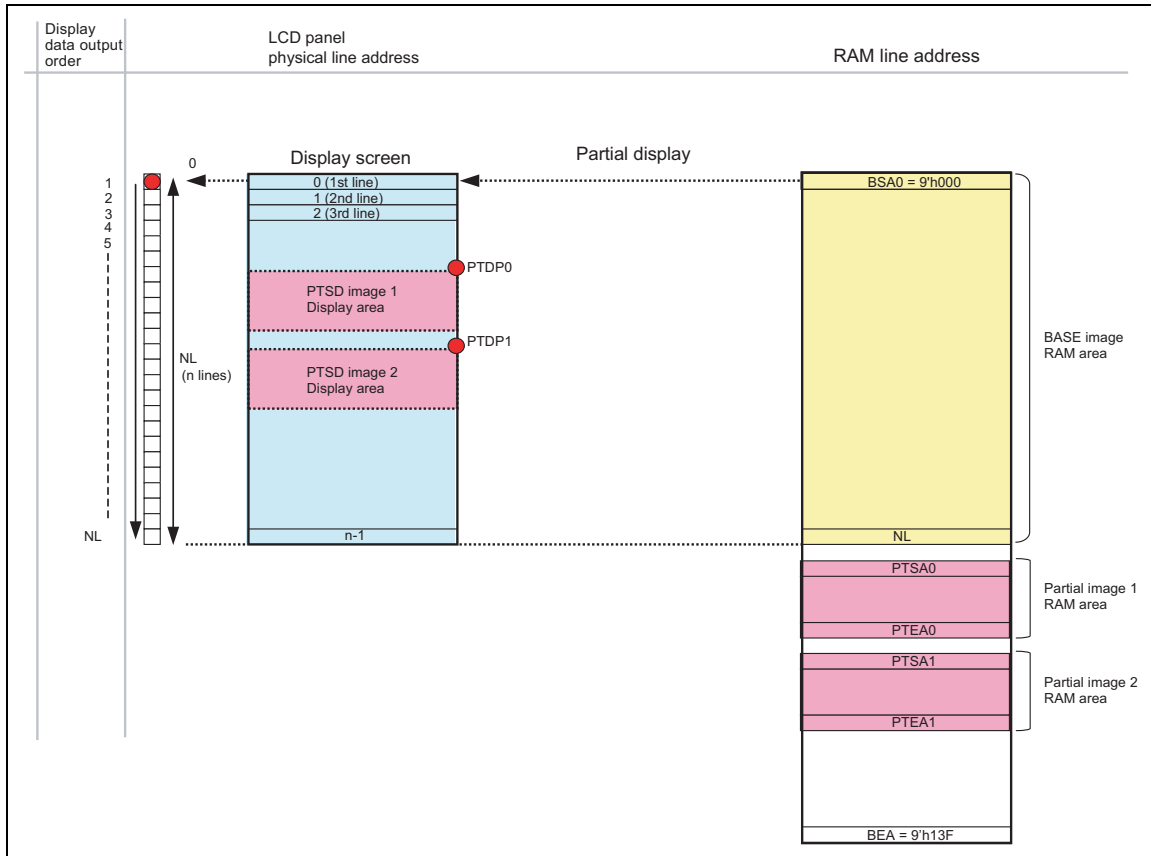
### Partial image display

Set the partial image RAM area setting registers (PTSAx, PTEAx bits) and the partial position setting registers (PTDPx bits) so that the RAM areas and the display positions of partial images do not overlap one another.

$$0 \leq PTDP0 \leq PTDP0 + (PTEA0 - PTSA0) < \\ PTDP1 \leq PTDP1 + (PTEA1 - PTSA1) \leq NL$$

## R61505U

The following figure shows the relationship among the RAM address, display position, and the lines driven for the display.



**Figure 48 Display RAM address and panel display position**

Note: This figure shows the relationship between RAM line address and the display position on the panel. In the R61505U's internal operation, the data is written in the RAM area specified by the window address setting (R50h~R53h).

**Instruction setting example**

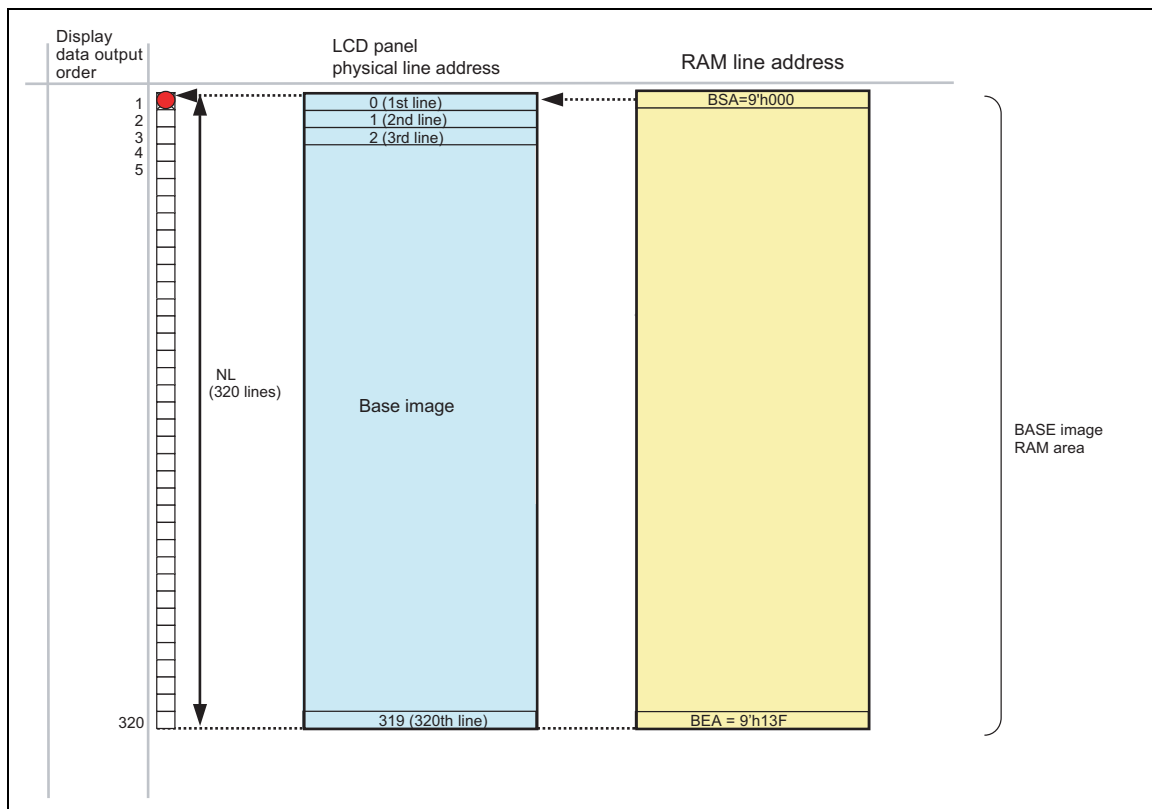
The followings are examples of settings for 240(RGB) x 320(lines) panel.

**1. Full screen display (no partial display)**

The following is an example of settings for full screen display.

**Table 77**

Base image display instruction	
BASEE	1
NL[5:0]	6'h27
PTDE0	0
PTDE1	0



**Figure 49 Full screen display (no partial)**



## 2. Partial Display

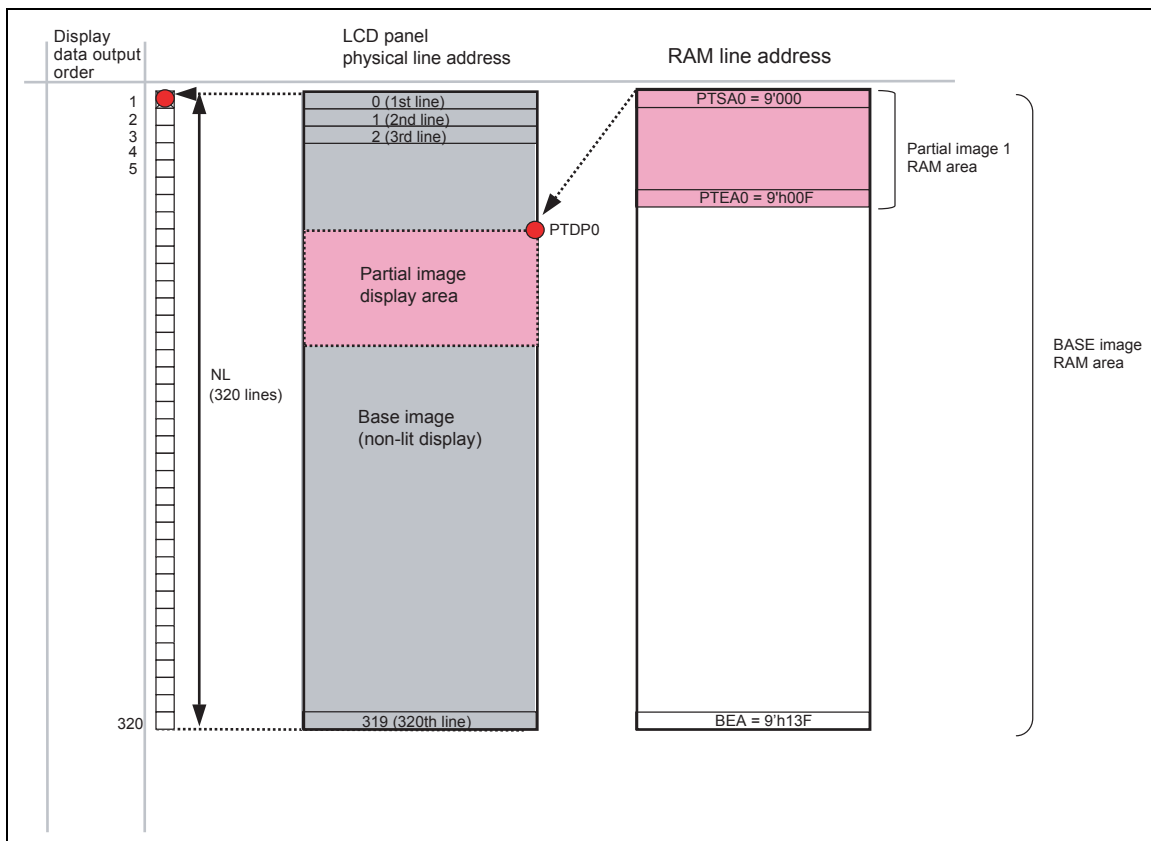
The following is an example of settings for displaying partial image 1 only and turning off the base image. The partial image 1 is displayed at the position specified by PTDP0 bit.

**Table 78**

Base image display instruction	
BASEE	0
NL[5:0]	6'h27

partial image 1 display instruction		partial image 2 display instruction	
PTDE0	1	PTDE1	0
PTSA0[8:0]	9'h000	PTSA1[8:0]	9'h000
PTEA0[8:0]	9'h00F	PTEA1[8:0]	9'h000
PTDP0[8:0]	9'h080	PTDP1[8:0]	9'h000



**Figure 50 Partial Display**

## R61505U

### Resizing function

The R61505U supports resizing function (x 1/2, x 1/4), which is performed when writing image data. The resizing function is enabled by setting a window address area and the RSZ bit representing the contraction factor (x1/2 or x1/4) of the image. This function enables the R61505U to write the resized image data directly to the internal RAM, while allowing the system to transfer the original-sized image data.

The resizing function allows the system to transfer data as usual even when resizing of the image is required. This feature makes image resizing easily available with various applications such as camera display, sub panel display, thumbnail display and so on.

The R61505U processes the contraction of an image simply by selecting pixels. For this reason, the resized image may appear distorted when compared with the original image. Check the resized image before use.

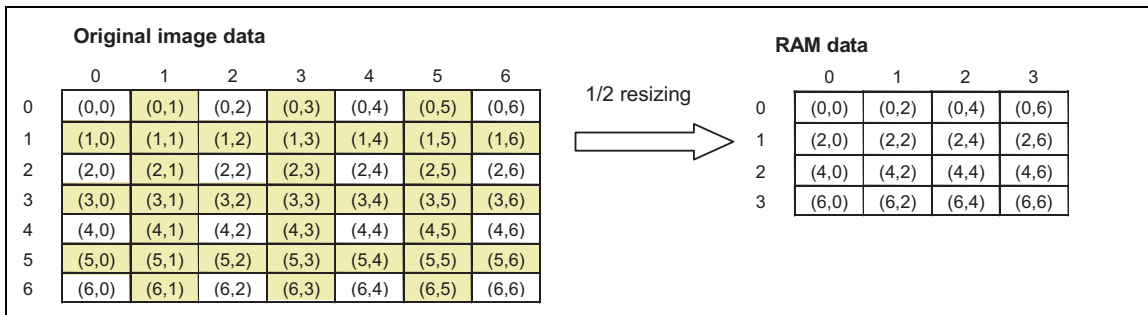


Figure 51 Data transfer in resizing

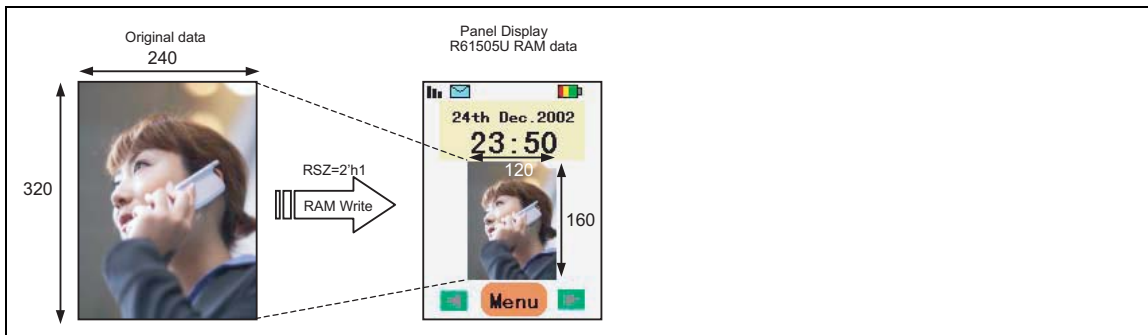


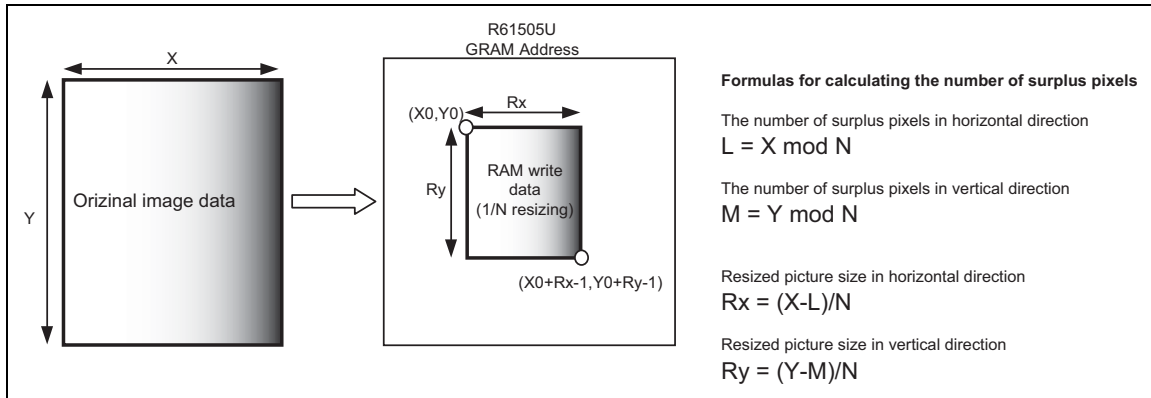
Figure 52 Data transfer, display example in resizing

Table 79

Original image size (X x Y)	Resized image size	
	1/2 (RSZ = 2'h1)	1/4 (RSZ = 2'h3)
640x480(VGA)	320x240	160x120
352x288 (CIF)	176x144	88x72
320x240 (QVGA)	160x120	80x60
176x144 (QCIF)	88x72	44x36
120x160	60x80	30x40
132x176	66x88	33x44

**Resizing setting**

The RSZ bit sets the resizing (contraction) factor of an image. When setting a window address area in the internal RAM, the window address area must fit the size of the resized picture. If there are surplus pixels as a result of resizing, which are calculated from the following equations, set RCV, RCH bits to the number of surplus pixels before writing data to the internal RAM.



**Figure 53 Resizing Setting, surplus pixel calculation**

**Table 80**

**Image (before resizing)**

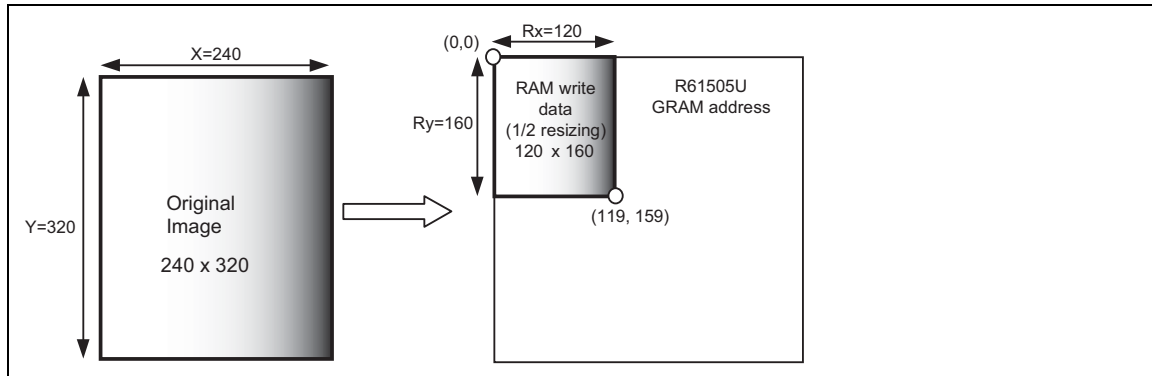
Number of data in horizontal direction	X
Number of data in vertical direction	Y
Resizing ratio	1/N

**Register setting in the R61505U**

Resizing setting	RSZ	N-1
Number of data in horizontal direction	RCV	L
Number of data in vertical direction	RCH	M

RAM writing start address	AD	(X0, Y0)
RAM window address	HSA	X0
	HEA	X0+Rx - 1
	VSA	Y0
	VEA	Y0+Ry - 1

**Example of 1/2 resizing**



**Figure 54 Resizing setting example (x 1/2)**

**Table 81**

**Original image (before resizing)**

Number of data in horizontal direction	X	240
Number of data in vertical direction	Y	320
Resizing ratio	1/N	1/2

**Register setting in the R61505U**

Resizing setting	RSZ	2'h1
Number of data in horizontal direction	RCV	2'h0
Number of data in vertical direction	RCH	2'h0

RAM writing start address	AD	17'h00000
RAM window address	HSA	8'h00
	HEA	8'h77
	VSA	8'h00
	VEA	8'h9F

**Resizing instruction**

**Table 82 Resizing factor**

RSZ[1:0]	Contraction factor
2'h0	No resizing (x 1)
2'h1	1/2 resizing (x 1/2)
2'h2	Setting disabled
2'h3	1/4 resizing (x 1/4)
2'h4	Setting disabled

**Table 83 Surplus pixels**

**Vertical direction**

RCV[1:0]	Surplus pixels
2'h0	0
2'h1	1 pixel
2'h2	2 pixels
2'h3	3 pixels

1 pixel = 1 RGB

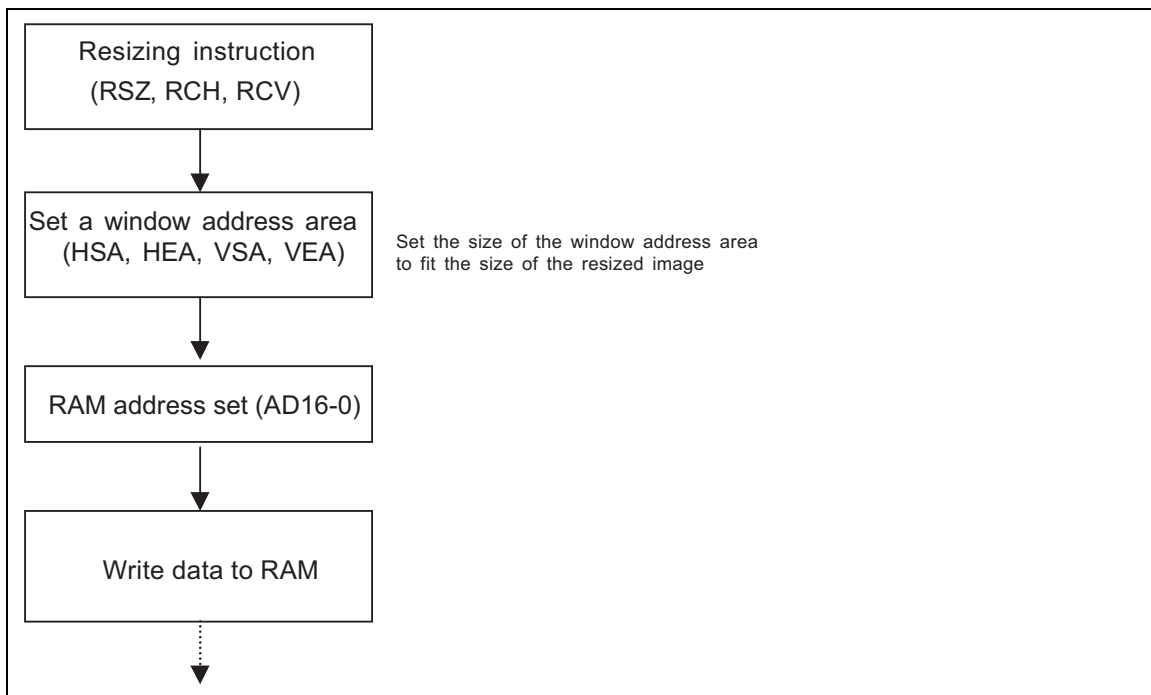
**horizontal direction**

RCH[1:0]	Surplus pixels
2'h0	0
2'h1	1 pixel
2'h2	2 pixels
2'h3	3 pixels

1 pixel = 1 RGB

**Notes to Resizing function**

1. Set the resizing instruction bits (RSZ, RCV, and RCH) before writing data to the internal RAM.
2. When writing data to the internal RAM using resizing function, make sure to start writing data from the first address of the window address area in units of lines.
3. Set the window address area in the internal RAM to fit the size of the resized image.
4. Set AD16-0 (R20h, R21h) before start transferring and writing data to the internal RAM.
5. Set the RCH, RCV bits only when using resizing function and there are surplus pixels. Otherwise (if  $RSZ = 2'h0$ ), set  $RCH = RCV = 2'h0$ .



**Figure 55 RAM write operation sequence in resizing**

### High-speed RAM Write Function

The R61505U supports high-speed RAM write function to write data to each line of window address area at a time. This function makes the R61505U available with the applications, which require high-speed, low-power-consumption data write operation such as color moving picture display.

When enabling high-speed RAM write function (HWM = "1"), the data is first stored in the internal register of the R61505U in order to rewrite the RAM data in each horizontal line of the window address area at a time. Also, when transferring the data from the internal register to the internal RAM, the data written in the next line of the window address area can be transferred to the internal register of the R61505U. The high-speed write function minimizes the number of RAM access in write operation and enables high-speed consecutive RAM write operation required for moving picture display with low power consumption.

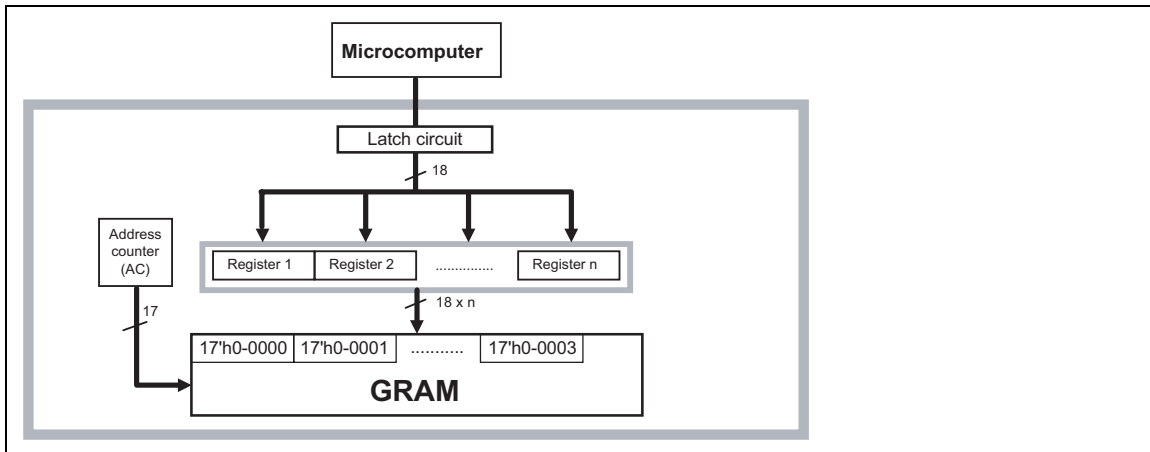


Figure 56 High-speed Consecutive RAM Write Operation

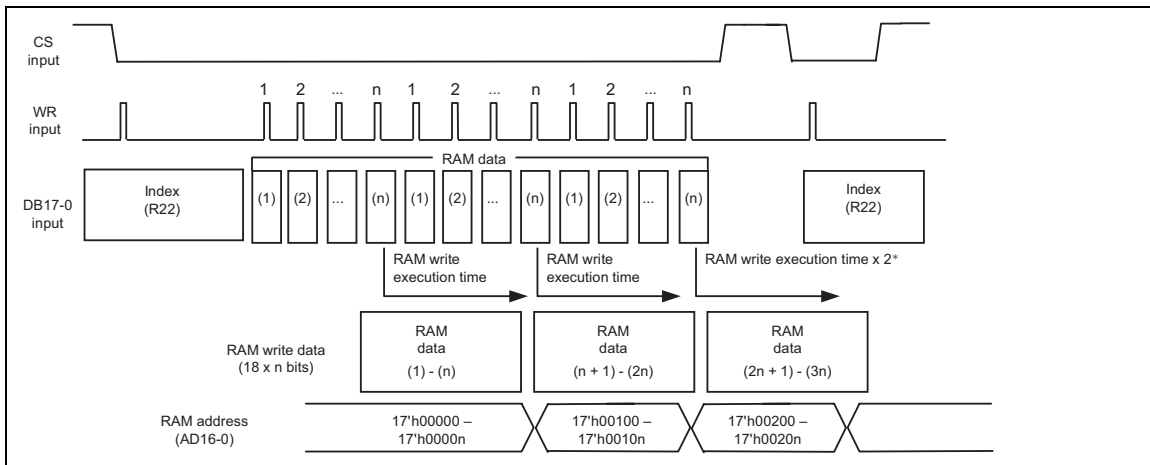
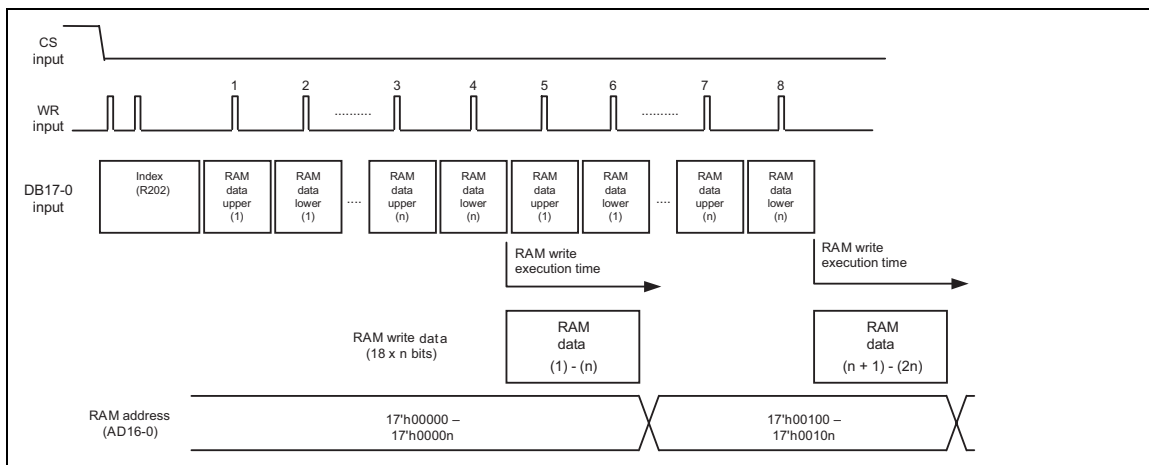


Figure 57 Example of High-speed RAM Write Operation (HWM = 1)

Note: When switching from high-speed RAM write operation to index write operation, wait at least for two normal RAM write bus cycle periods (2 x t<sub>evcw</sub>) before executing a next instruction.

## R61505U



**Figure 58 Example of High-speed RAM Write Operation via 9-bit Interface**

Note: In high-speed RAM write operation, the R61505U writes data in units of  $n$  words. When using 9-bit interface, the R61505U performs write operation  $2 \times n$  times in the internal register before writing the data in each line of the window address area.

### Notes to high-speed RAM write function

1. In high-speed RAM write mode, the R61505U performs write operation to the internal RAM in units of lines. If the data inputted to the internal write register is not enough to rewrite the data in the horizontal line of the window address area, the data is not written correctly in that line address.
2. If the IR is set to 22h when HWM = "1", the R61505U always performs RAM write operation. With this setting, the R61505U does not perform RAM read operation. Make sure to set HWM = 0, when performing RAM read operation.
3. The high-speed RAM write function cannot be used when writing data in normal RAM write function mode. When switching from one write mode to the other, change modes first and set AD16-0 (RAM address set) before starting write operation.

## R61505U

**Table 84 RAM Write Operation**

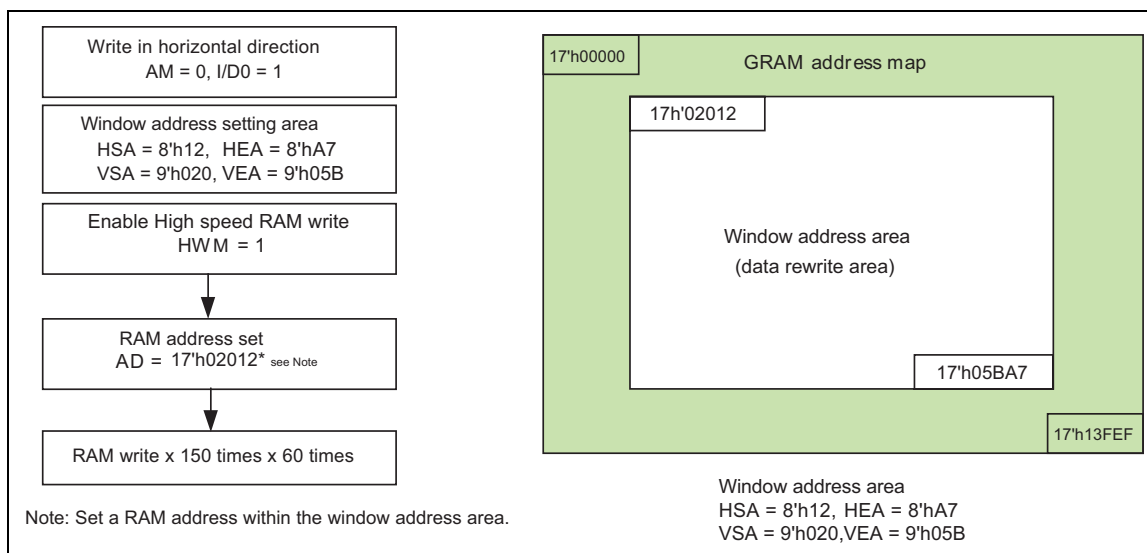
	Normal RAM Write (HWM = 0)	High-speed RAM Write (HWM = 1)
BGR function	Available	Available
RAM address set	In units of words	In units of words
RAM read	In units of words	Not available
RAM write	In units of words	In units of words
Window address	In units of words (minimum window address area: 1 word x 1 line)	In units of words (minimum window address area: 8 words x 1 line)
External display interface	Available	Available
AM	AM = 1/0	AM = 0

### High-speed RAM data write in a window address area

The R61505U can perform consecutive high-speed data rewrite operation within a rectangular area (minimum: 8 words x 1 line) made in the internal RAM with the following settings.

When writing data to the internal RAM using high-speed RAM write function, make sure each line of the window address area is overwritten at a time. If the data buffered in the internal register of the R61505U is not enough to overwrite the horizontal line in the window address area, the data is not written correctly in that line.

The following is an example of writing data in the window address area using high-speed write function when a window address area is made by setting HSA = 8'h12, HEA = 8'hA7, VSA = 9'h020, and VEA = 9'h05B.



**Figure 59 High-speed RAM Write Operation in the Window Address Area**



### Window Address Function

The window address function enables writing display data consecutively in a rectangular area (a window address area) made in the internal RAM. The window address area is made by setting the horizontal address register (start: HSA7-0, end: HEA 7-0 bits) and the vertical address register (start: VSA8-0, end: VEA8-0 bits). The AM and I/D bits set the transition direction of RAM address (either increment or decrement, horizontal or vertical, respectively). Setting these bits enables the R61505U to write data including image data consecutively without taking the data wrap position into account.

The window address area must be made within the GRAM address map area. Also, the AD16-0 bits (RAM address set register) must be set to an address within the window address area.

[Window address area setting range]	
(Horizontal direction)	$8'h00 \leq HSA < HEA \leq 8'hEF$
(Vertical direction)	$9'h000 \leq VSA < VEA \leq 9'h13F$
[RAM Address setting range]	
(RAM address)	$HSA \leq AD7-0 \leq HEA$ $VSA \leq AD16-8 \leq VEA$

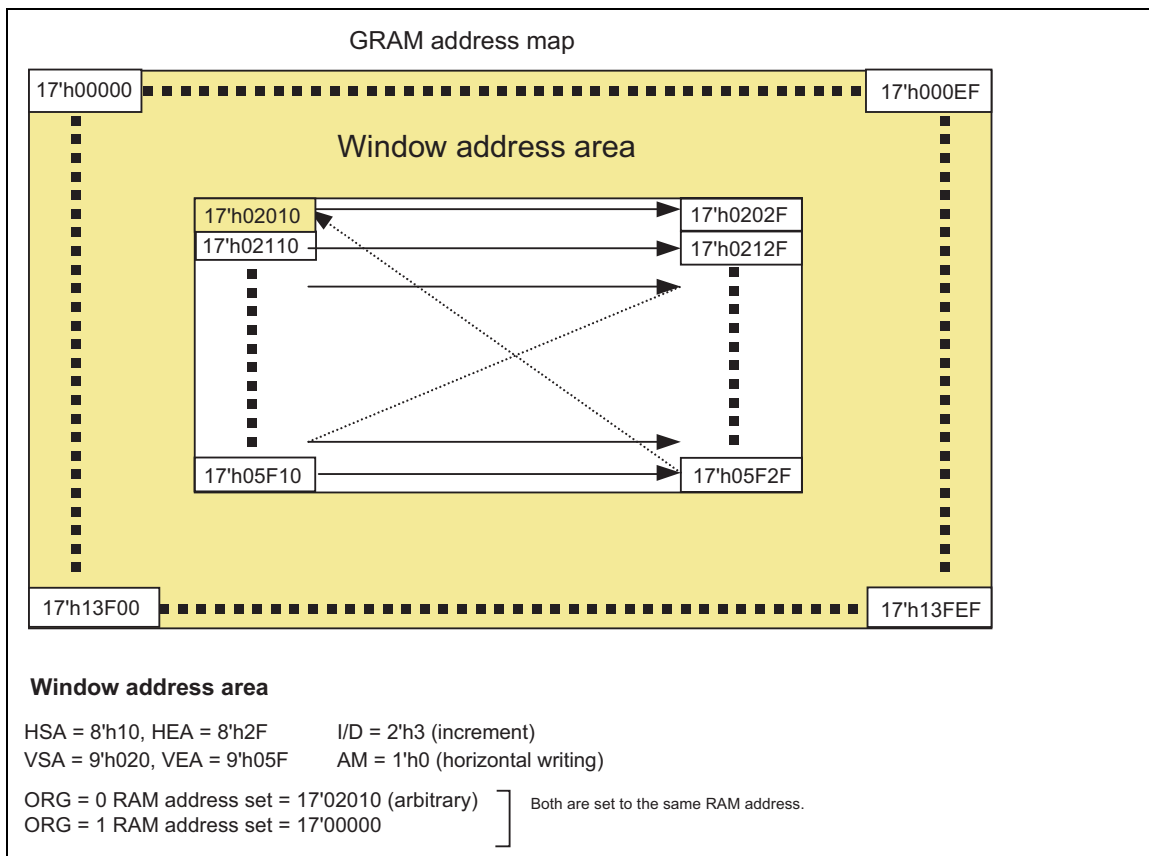


Figure 60 Automatic address update within a Window Address Area

### Scan Mode Setting

The R61505U can set the gate pin assignment and the scan direction in the following 4 different ways by setting SM and GS bits to realize various connections between the R61505U and the LCD panel.

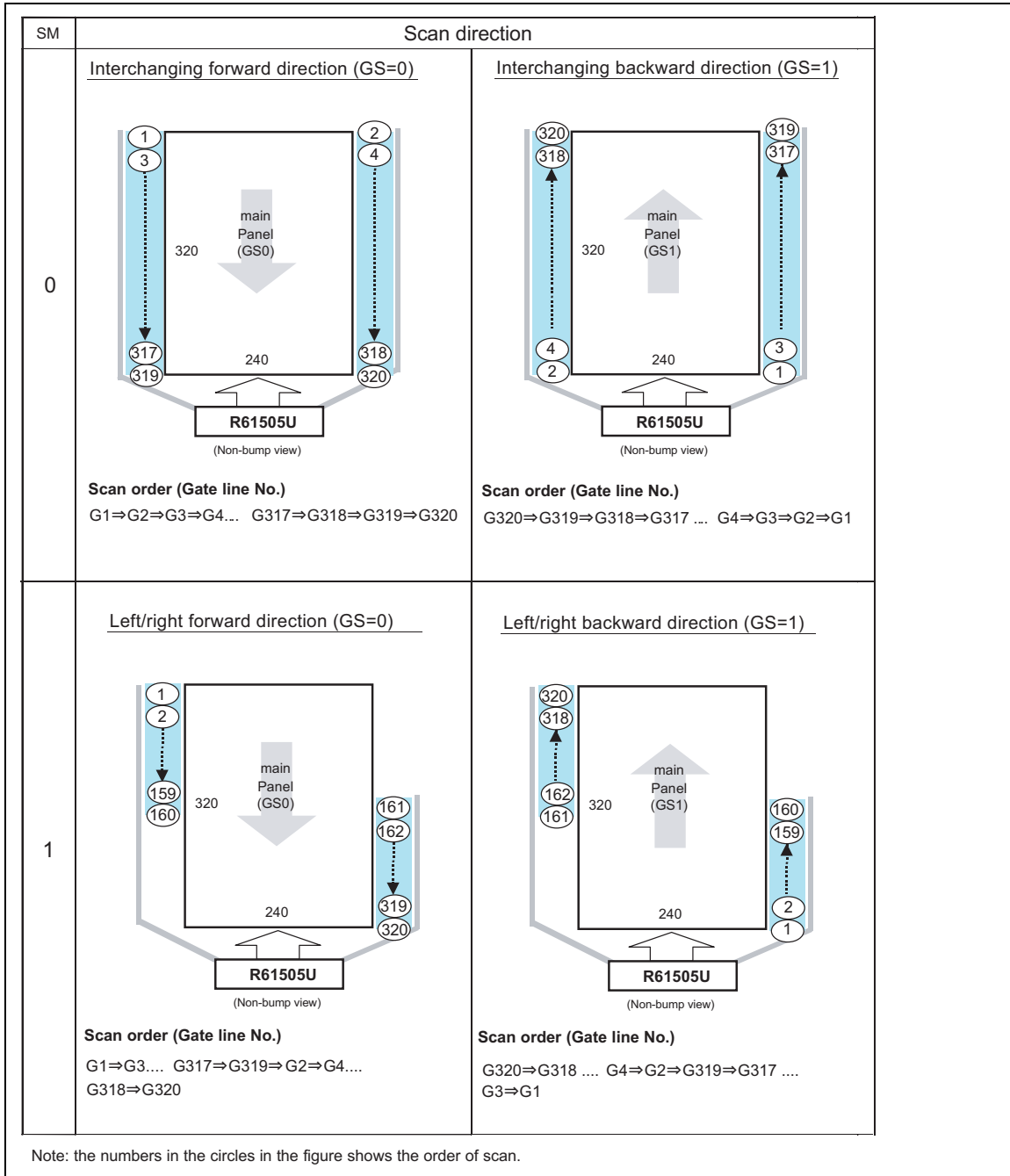


Figure 61

### 8-color Display Mode

The R61505U has a function to display in eight colors. In this display mode, only V0 and V31 are used and power supplies to other grayscales (V1 to V30) are turned off to reduce power consumption.

In 8-color display mode, the  $\gamma$ -adjustment registers P0KP0-P0KP5, P0KN0-P0KN5, P0RP0, P0RP1, P0RN0, P0RN1, P0FP0-P0FP3, and P0FN0-P0FN3, are disabled and the power supplies to V1 to V30 are halted. The R61505U does not require GRAM data rewrite for 8-color display by writing the MSB to the rest in each dot data to display in 8 colors.

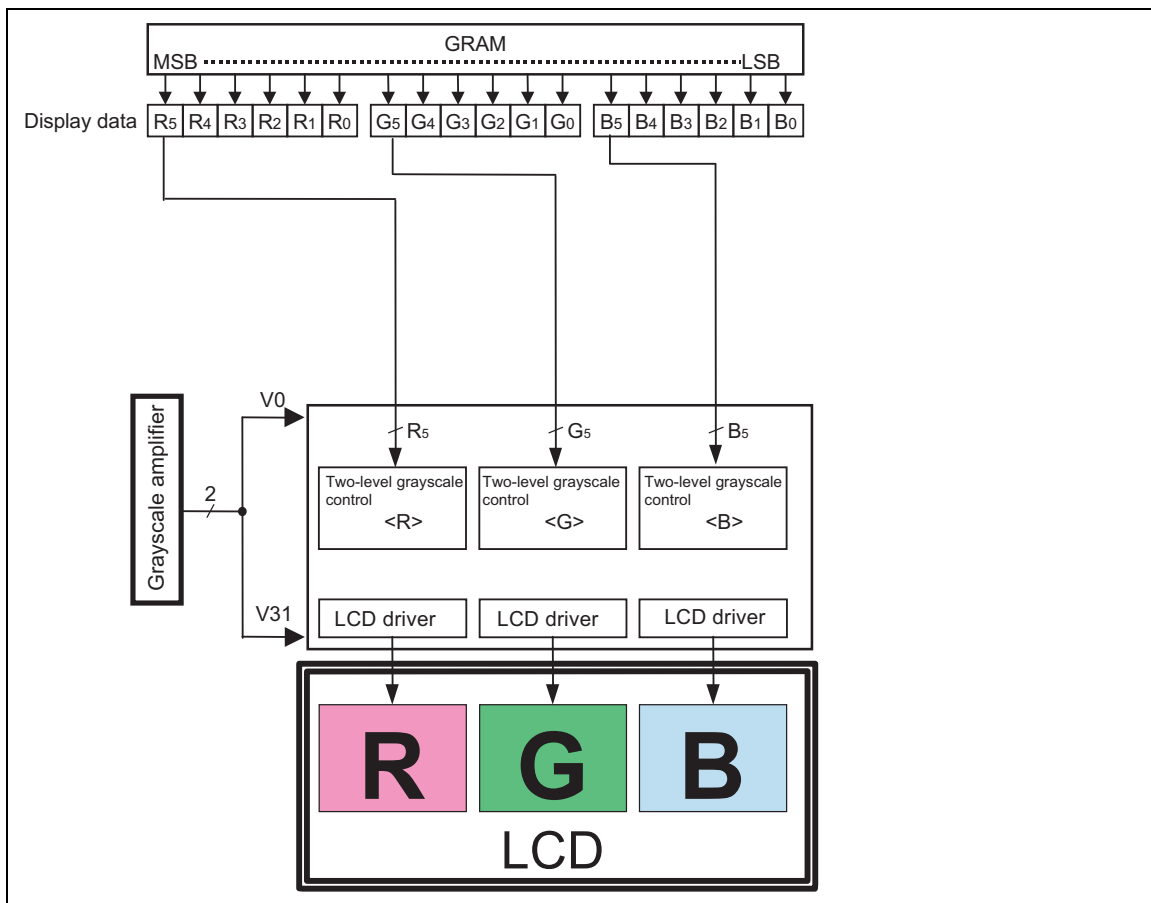


Figure 62 8-color Display Mode

### Line Inversion AC Drive

The R61505U supports n-line inversion alternating current drive in addition to frame-inversion liquid crystal alternating current drive. The timing to invert the electric current can be set to either every line or every two lines. Set line number of inversion timing checking display quality on liquid crystal display. Note that less number of line leads to higher inversion frequency of liquid crystal and more charge/discharge battery in liquid crystal display.

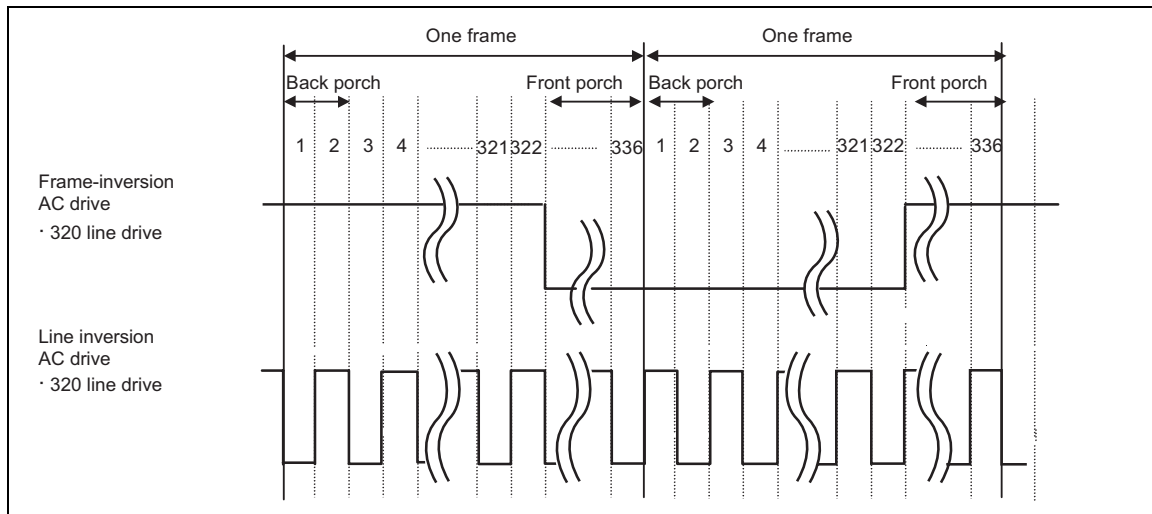
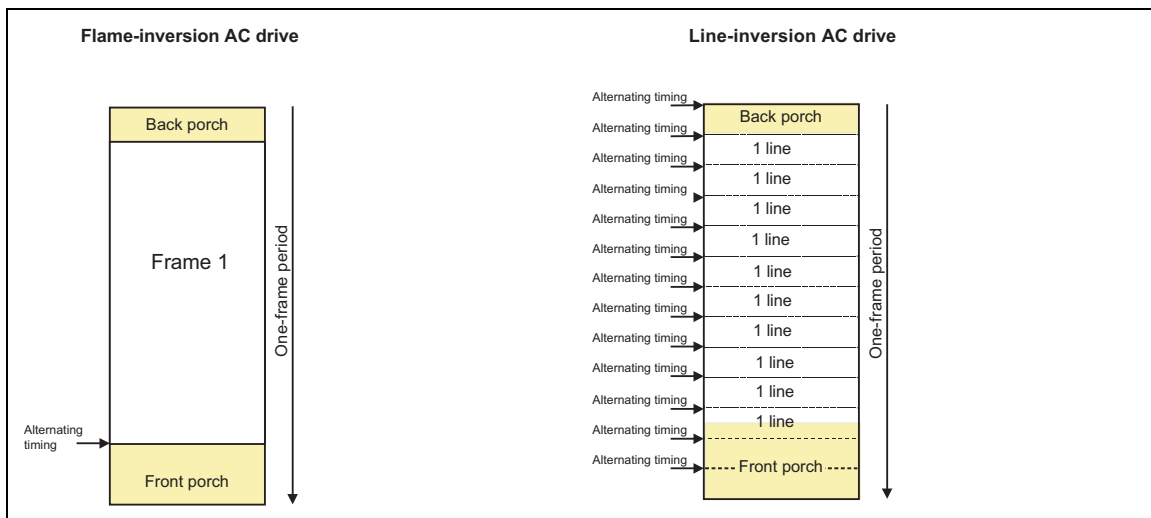


Figure 63 Example of Alternating Signals for n-line Inversion

**Alternating Timing**

The following figure illustrates the liquid crystal polarity inversion timing in different LCD driving methods. In case of frame-inversion AC drive, the polarity is inverted as the R61505U draws one frame, which is followed by a blank period lasting for (BP+FP) periods. In case of line inversion AC drive, polarity is inverted as the R61505U draws one line, and a blank period lasting for (BP+FP) periods is inserted when the R61505U draws one frame.



**Figure 64 Alternating Timing**

Note: Frame inversion AC drive is available only in 8-color display mode. Check the quality of display on the panel.

## Frame-Frequency Adjustment Function

The R61505U supports a function to adjust frame frequency. The frame frequency for driving liquid crystal can be adjusted by setting the DIV, RTN bits without changing the oscillation frequency.

The R61505U allows changing the frame frequency depending on whether moving picture or still picture is displayed on the screen. In this case, set a high oscillation frequency. By changing the DIV and RTN settings, the R61505U can operate at high frame frequency when displaying a moving picture, which requires the R61505U to rewrite data in high speed, and it can operate at low frame frequency when displaying a still picture.

### Relationship between liquid crystal drive duty and frame frequency

The following equation represent the relationship between liquid crystal drive duty and frame frequency. The frame frequency can be changed by setting the 1H period adjustment bit (RTN) and the operation clock frequency division ratio setting bit (DIV).

*Equation for calculating frame frequency*

$$\text{FrameFrequency} = \frac{f_{osc}}{\text{NumberofClocks / line} \times \text{DivisionRatio} \times (\text{Line} + \text{FP} + \text{BP})} [\text{Hz}]$$

fosc: RC oscillation frequency

Number of clocks per line: RTN bit

Division ratio: DIV bit

Line: number of lines to drive the LCD panel (NL bit)

Number of lines for front porch: FP

Number of lines for back porch: BP

### Example of Calculation: when maximum frame frequency = 70 Hz

Fosc: 376KHz

Number of lines: 320 lines

1H period: 16 clock cycles (RTNI/E[4:0] = "10000")

Division ratio of operating clock: 1/1

Front porch: 2 lines

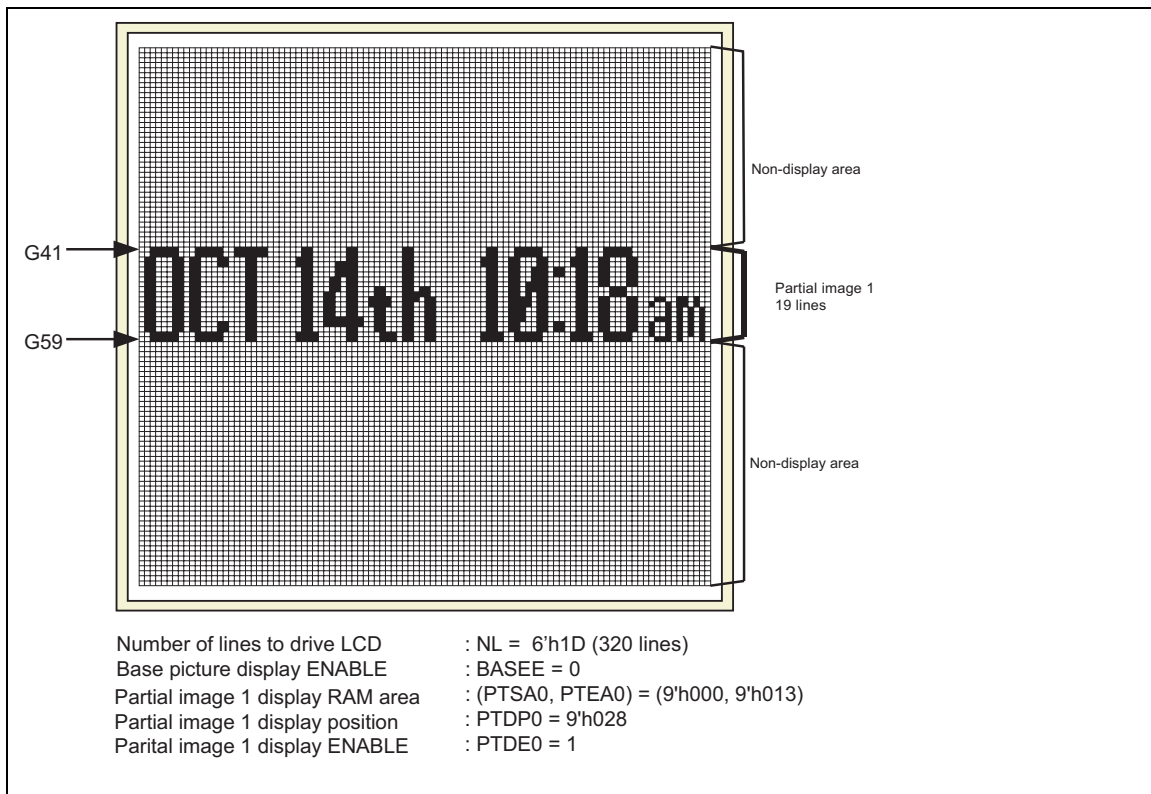
Back porch: 14 lines

$$\text{FFLM} = 376\text{KHz} / (16 \text{ clocks} \times 1/1 \times (320 + 2 + 14) \text{ (lines)}) = 70\text{Hz}$$

### Partial Display Function

The partial display function allows the R61505U to drive lines selectively to display partial images by setting partial display control registers. The lines not used for displaying partial images are driven at non-lit display level to reduce power consumption.

The power efficiency can be enhanced in combination with 8-color display mode. Check the display quality when using low power consumption functions.



**Figure 65 Partial display**

Note: See the “RAM Address and Display Position on the Panel” (p.133) for details on the relationship between the display positions of partial images and respective RAM area setting.

### Liquid crystal panel interface timing

The relationships between RGB interface signals and liquid crystal panel control signals in internal operation and RGB interface operations are as follows

#### Internal clock operation

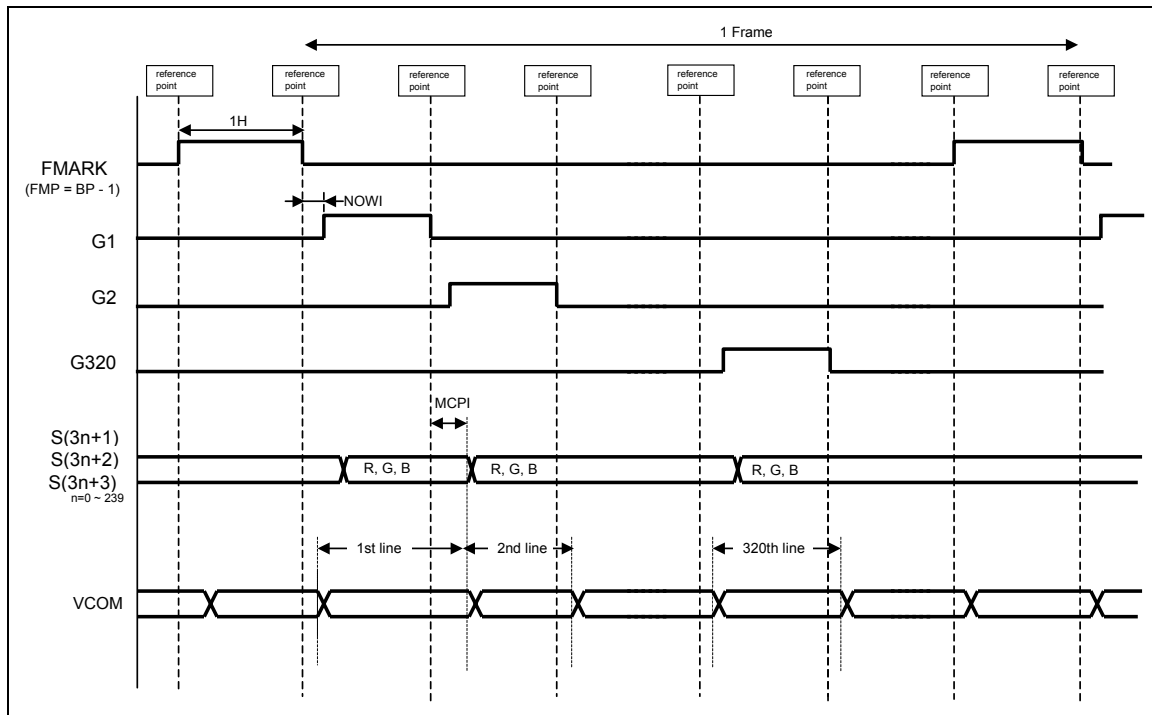


Figure 66



RGB interface operation

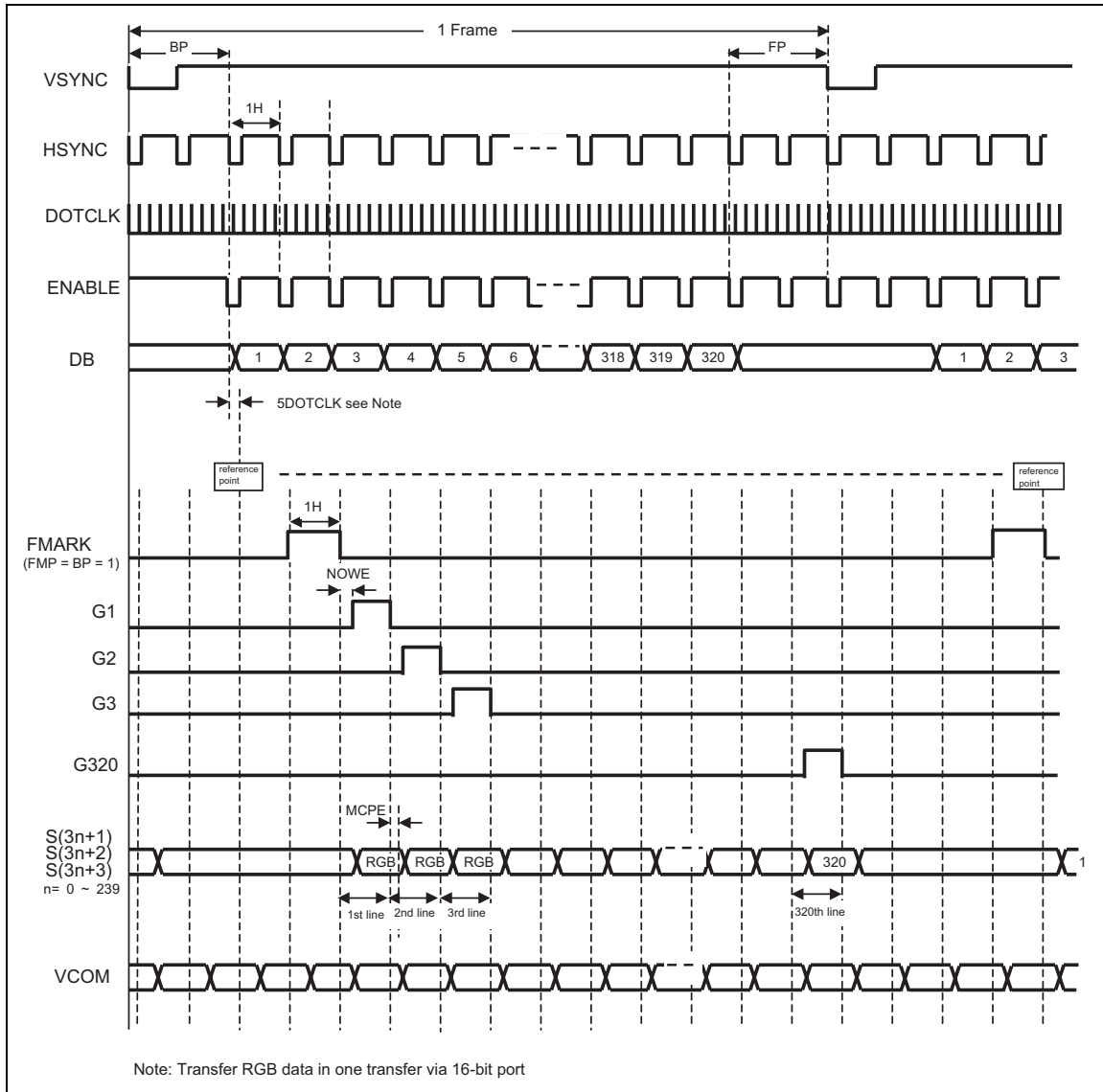


Figure 67

## R61505U

---

### Oscillator

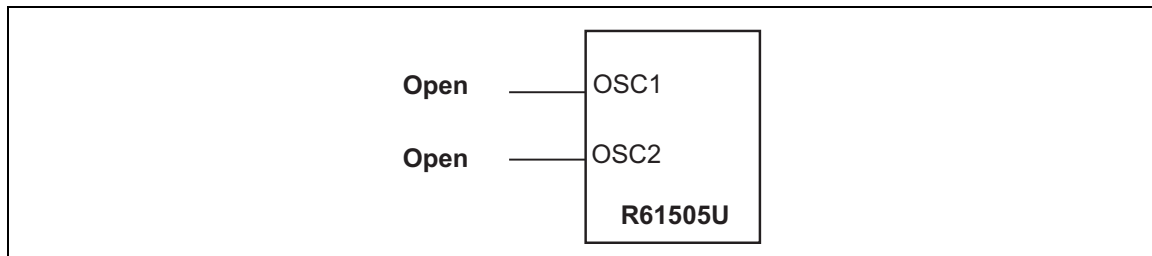
The R61505U incorporates necessary RC elements for oscillator, eliminating the need to connect external elements for RC oscillation.

The R61505U has two versions, each with different oscillation frequency: Typ. 376kHz (R61505U0) and Typ. 600kHz (R61505U). See “Electrical Characteristics” for details. Select either suitable for display system.

Connecting external resistance to adjust frequency is impossible.

See “Frame-Frequency Adjustment Function” to adjust frame frequency.

External resistance is not needed.



**Figure 68**

Note 1: OSC frequency is set at Typ.376kHz (R61505U0) or 600Khz (R61505U1) (See Electrical Characteristics).

## $\gamma$ Correction function

The R61505U supports  $\gamma$ -correction function to display in 262,144 colors simultaneously using gradient-adjustment, amplitude-adjustment, fine-adjustment, tap-adjustment, and voltage division ratio adjustment registers. Each register consists of positive-polarity register and negative-polarity register to allow optimal gamma correction setting for the characteristics of the panel by enabling different settings for positive and negative polarities.

### $\gamma$ Correction registers

The  $\gamma$ -correction registers of the R61505U consists of gradient-adjustment, amplitude-adjustment, fine-adjustment, tap-adjustment, and voltage division ratio adjustment registers to correct grayscale voltage levels according to the gamma characteristics of the liquid crystal panel. These register settings make adjustments to the relationship between grayscale number and grayscale voltage and the setting can be made differently for positive and negative polarities (the reference level and the register settings are the same for all RGB dots). The function of each register is as follows.

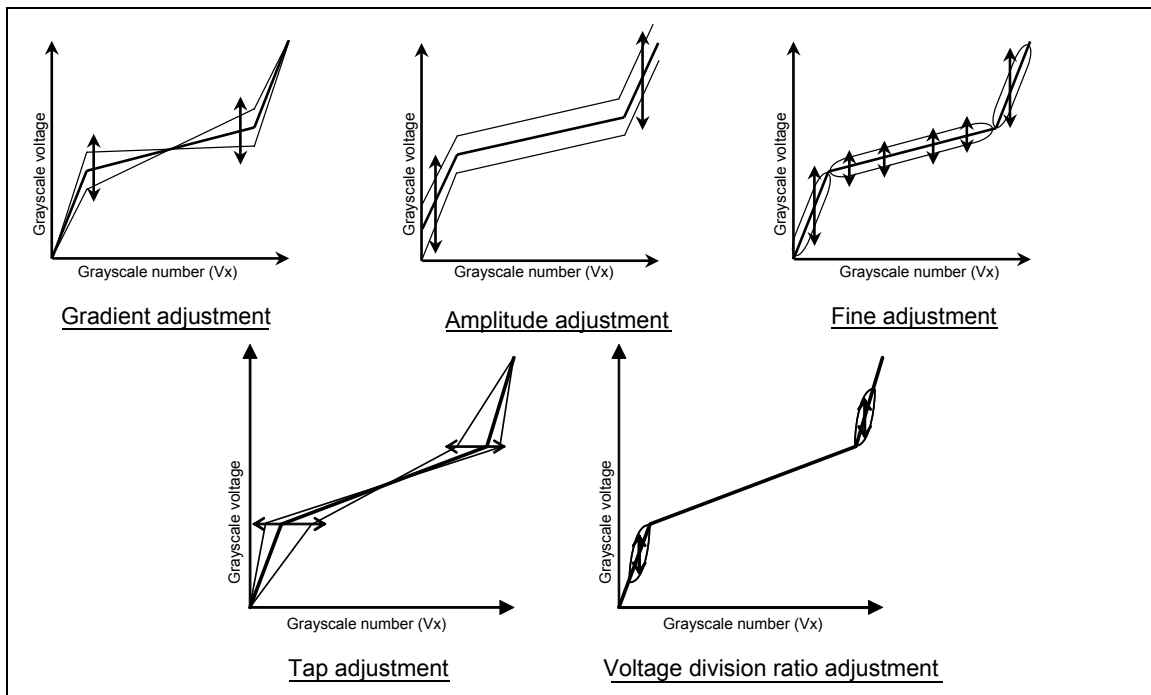


Figure 69

## R61505U

### Gradient adjustment registers

The gradient adjustment registers are used to adjust the gradient, which represents the relationship between grayscale and voltage, without changing the dynamic range. The grayscale voltages for middle grayscale number can be adjusted by this register setting.

### Amplitude adjustment registers

The amplitude adjustment registers are used to adjust the amplitude of the grayscale voltage.

### Fine adjustment registers

The fine adjustment registers are used for minute adjustment of grayscale voltage levels.

### Tap adjustment registers

The tap adjustment registers are for selecting two tap voltage supply points from V3 to V6 and from V25 to V28 by using selector.

### Voltage division ratio adjustment registers

The voltage division ratio adjustment registers are used to change the division ratios between V0 and V1 and between V30 and V31.

**Table 85  $\gamma$  correction registers**

Register	Positive	Negative	Function
Gradient	PORP0 [2:0]	PORN1 [2:0]	Grayscale V4 variable resistance
	PORP1 [2:0]	PORN0 [2:0]	Grayscale V27 variable resistance
Amplitude	VORP0 [4:0]	VORN1 [4:0]	Voltage level for grayscale V0
	VORP1 [4:0]	VORN0 [4:0]	Voltage level for grayscale V31
Fine adjustment	P0KP0 [2:0]	P0KN5 [2:0]	Voltage level for grayscale V1
	P0KP1 [2:0]	P0KN4 [2:0]	Voltage level for grayscales V3, V4, V5, V6
	P0KP2 [2:0]	P0KN3 [2:0]	Voltage level for grayscale V10
	P0KP3 [2:0]	P0KN2 [2:0]	Voltage level for grayscale V21
	P0KP4 [2:0]	P0KN1 [2:0]	Voltage level for grayscales V28, V27, V26, V25
	P0KP5 [2:0]	P0KN0 [2:0]	Voltage level for grayscales V30
	P0FP0 [1:0]	P0FN3 [1:0]	Division ratio between V0 and V1
	P0FP1 [1:0]	P0FN2 [1:0]	P0FP1[1:0]: specify either one of grayscales V3, V4, V5, V6 for the P0KP1[2:0] level P0FN2[1:0]: specify either one of grayscales V3, V4, V5, V6 for the P0KN4[2:0] level
	P0FP2 [1:0]	P0FN1 [1:0]	P0FP2[1:0]: specify either one of grayscales V28, V27, V26, V25 for the P0KP4[2:0] level P0FN1[1:0]: specify either one of grayscales V28, V27, V26, V25 for the P0KN1[2:0] level
	P0FP3 [1:0]	P0FN0 [1:0]	Division ratio between V30 and V31

$\gamma$  Correction register settings and  $\gamma$  curve relationship

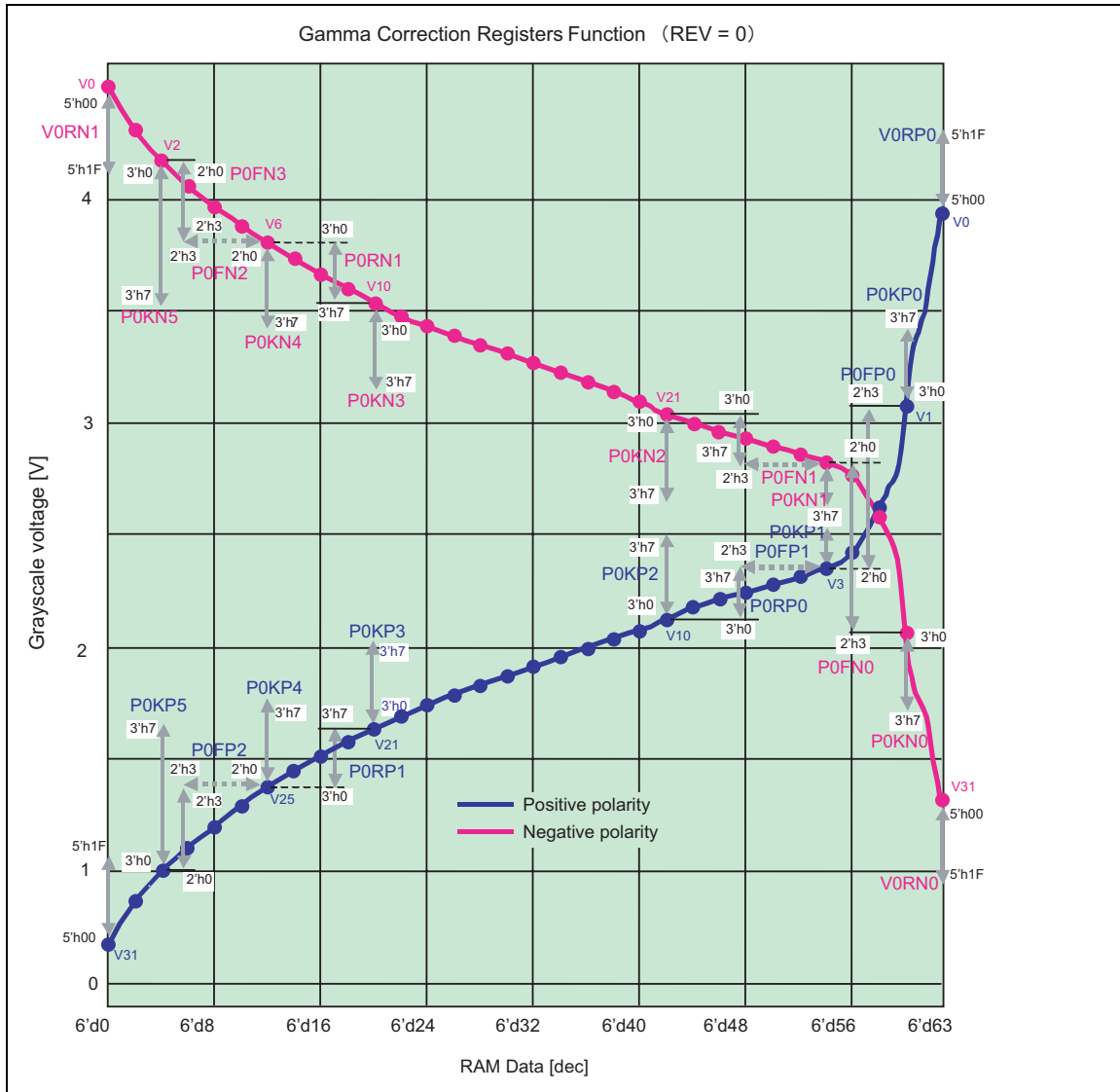


Figure 70

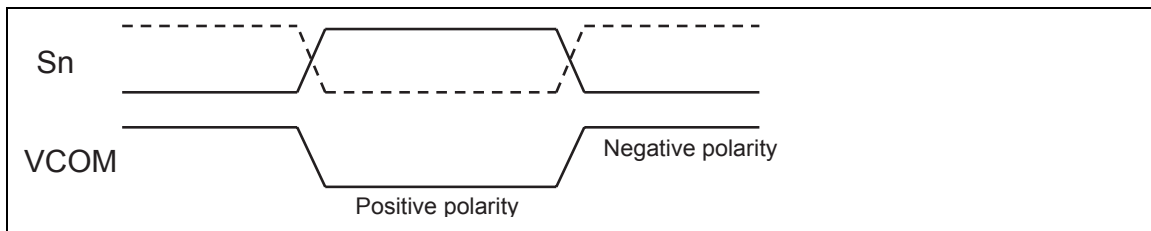


Figure 71 Source output waveform and VCOM polarity relationship

### Power-supply Generating Circuit

The following figures show the configurations of liquid crystal drive voltage generating circuit of the R61505U.

#### Power supply circuit connection example 1 (VCI1 = VCIOUT)

In the following example, the VCIOUT level is adjusted internally in the VCIOUT output circuit.

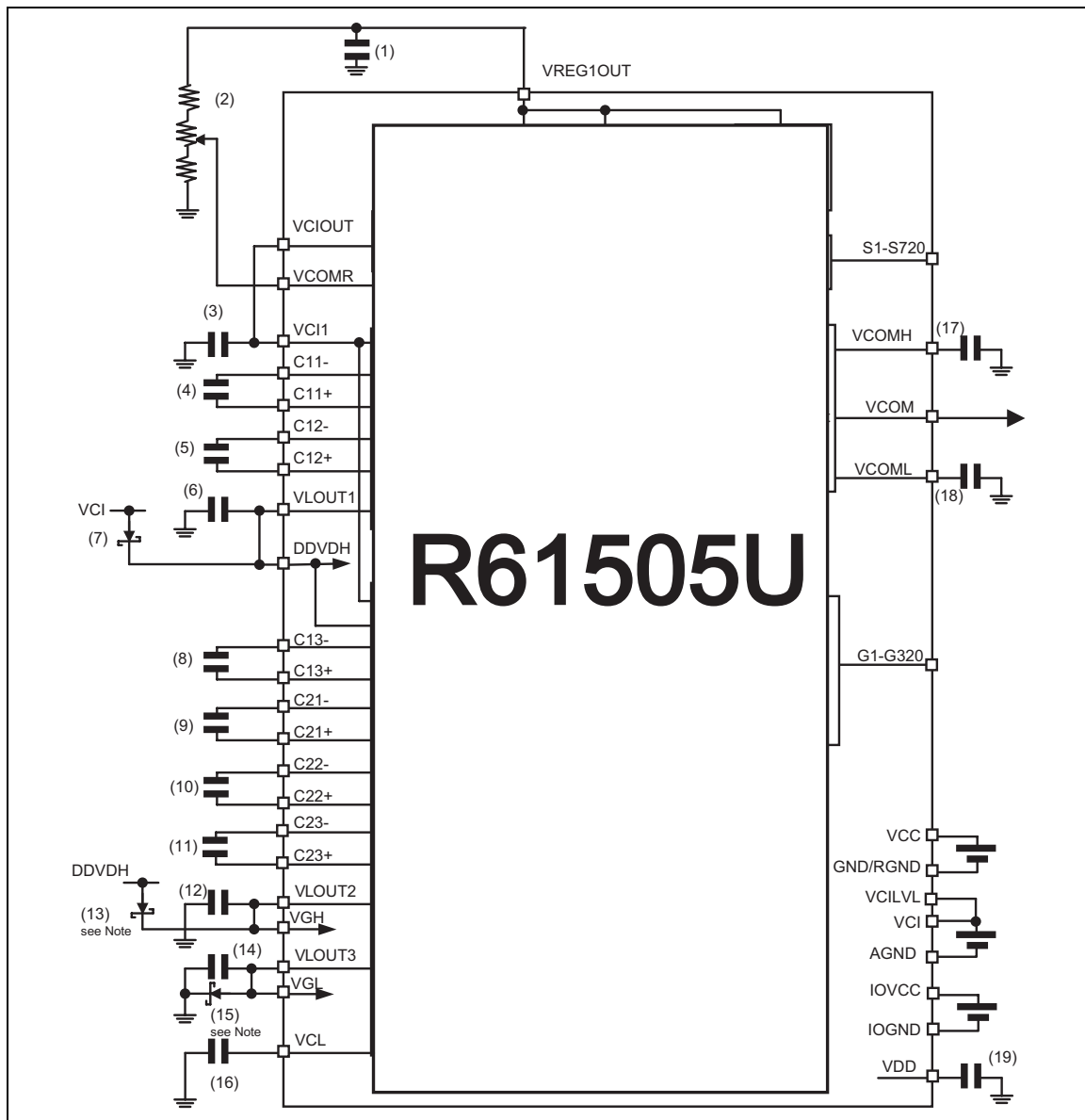
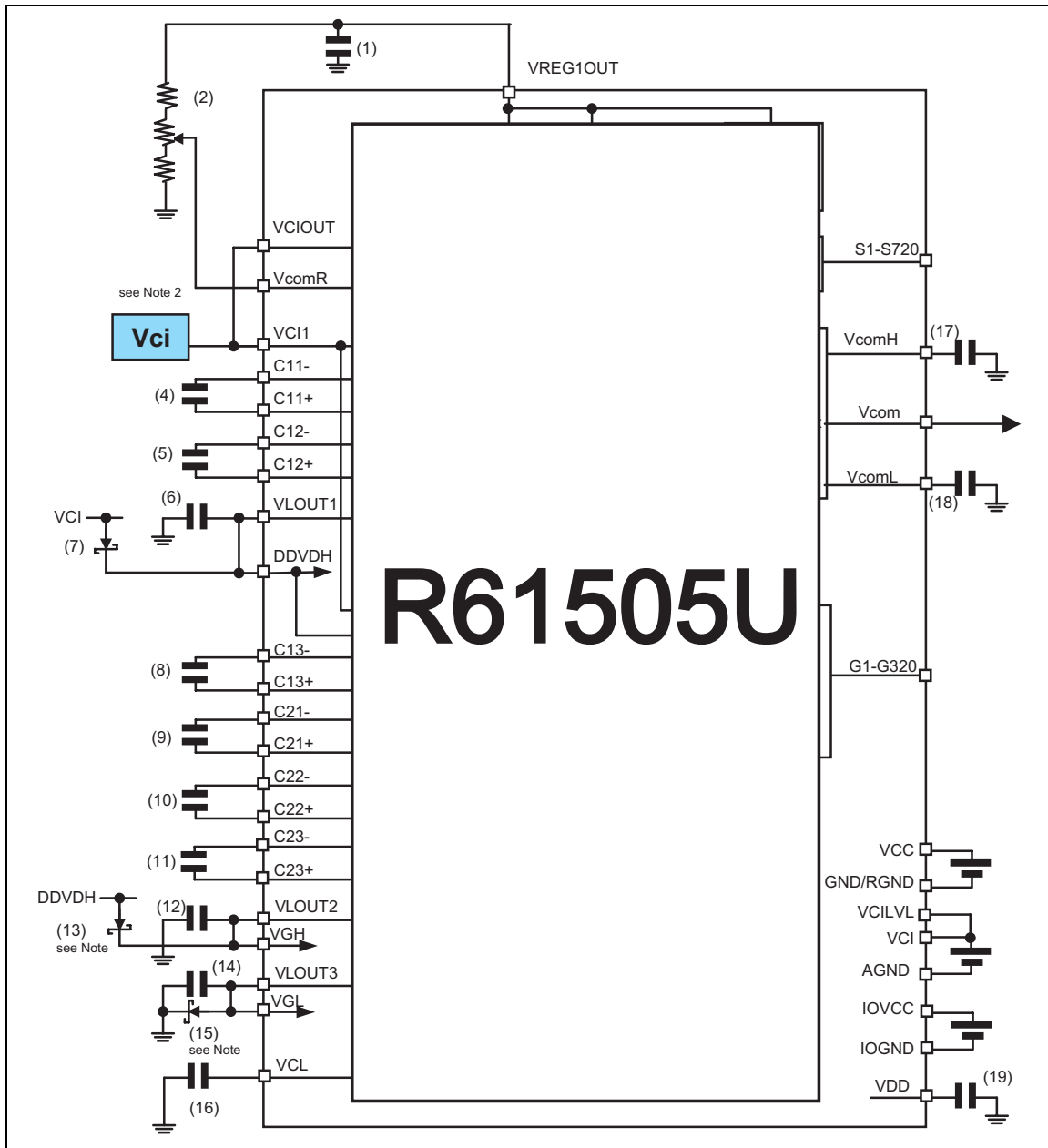


Figure 72

Note: The wiring resistances between the schottky diode and GND/VGL must be 10Ω or less.

**Power supply circuit connection example 2 (VCI1 = VCI direct input)**

In the following example, the electrical potential VCI is directly applied to VCI1. In this case, the VCIOUT level cannot be adjusted internally but step-up operation becomes more effective.



**Figure 73**

- Notes: 1. The wiring resistances between the schottky diode and GND/VGL must be 10Ω or less.  
 2. When directly applying the VCI level to VCI1, set VC = 3'h7. Capacitor connection to VCIOUT is not necessary.

## Specifications of Power-supply Circuit External Elements

The specifications of external elements connected to the power-supply circuit of the R61505U are as follows.

**Table 86 Capacitor**

Capacitance	Voltage proof	Pin Connection
1 $\mu$ F (B characteristics)	6 V	(1) VREG1OUT, (3) VCIOUT, (4) C11-/+ , (5) C12-/+ , (8) C13-/+ , (16) VCL, (17) VCOMH, (18) VCOML, (19) VDD
	10 V	(6) VLOUT1, (9) C21-/+ , (10) C22-/+ , (11) C23-/+
	25 V	(11) VLOUT2, (13) VLOUT3

Notes: 1. Check with the LC module.  
2. The numbers in the parentheses corresponds to the numbers of the elements in Figure 72, Figure 73.

**Table 87 Schottky Diode**

Specification	Pin Connection
$V_F < 0.4 \text{ V}/20 \text{ mA}@25 \text{ }^\circ\text{C}$ , $V_R \geq 25 \text{ V}$ (Recommended diode: HSC226)	(15) GND-VGL, (13) DDVDH-VGH, (7) VCI-DDVDH

**Table 88 Variable Resistor**

Specification	Pin Connection
$> 200 \text{ k}\Omega$	(2) VCOMR

**Table 89 Internal logic power supply**

Capacitance	Voltage proof (recommended)	Pin Connection
1 $\mu$ F (B characteristics)	3V	VDD



## Voltage Setting Pattern Diagram

The following are the diagrams of voltage generation in the R61505U and the TFT display application voltage waveforms and electrical potential relationship.

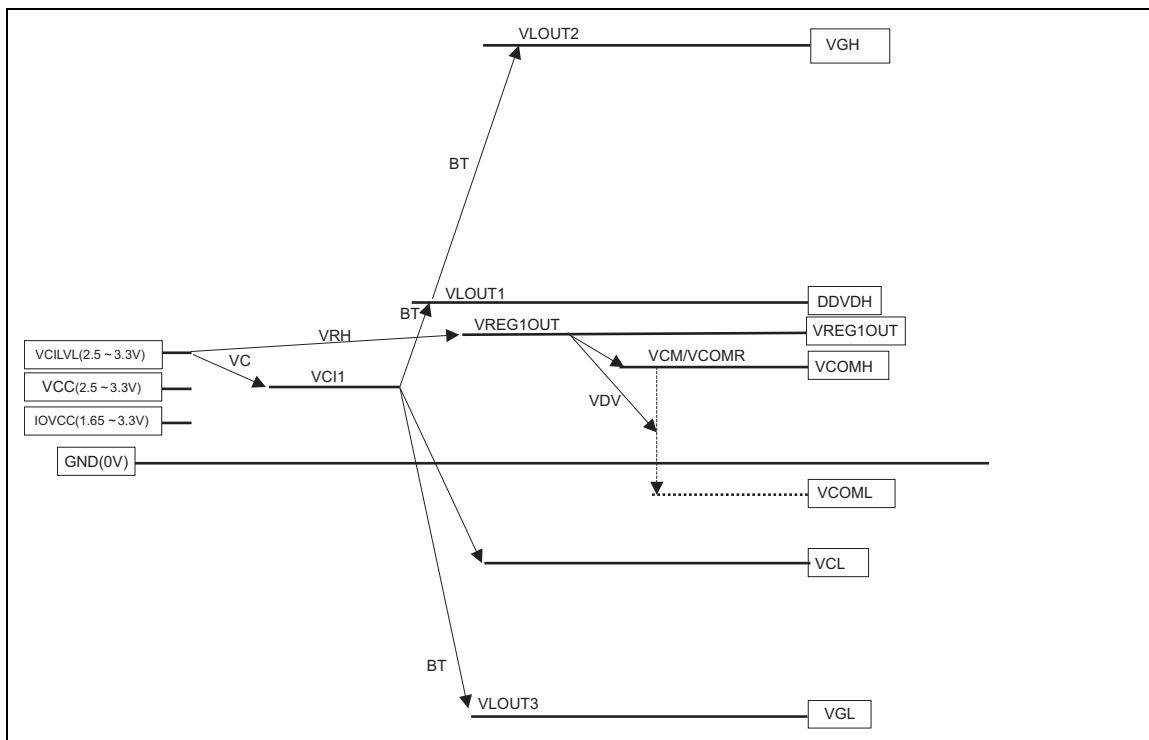


Figure 74

Notes: 1. The DDVDH, VGH, VGL, and VCL output voltages will become lower than their theoretical levels (ideal voltages) due to current consumption at each output level. Make sure that output voltage level in operation maintains the following relationship:  $(DDVDH - VREG1OUT) \geq 0.5V$ ,  $(VCOML - VCL) > 0.5V$ . Also make sure  $VGH - VGL \leq 28V$ ,  $VCI - VCL \leq 6V$ . When the alternating cycle of VCOM is high (e.g. polarity inverts every line cycle), current consumption will increase. In this case, check the voltage before use.

2. In operation, setting voltages within the respective voltage ranges are recommended.

Liquid crystal application voltage waveform and electrical potential

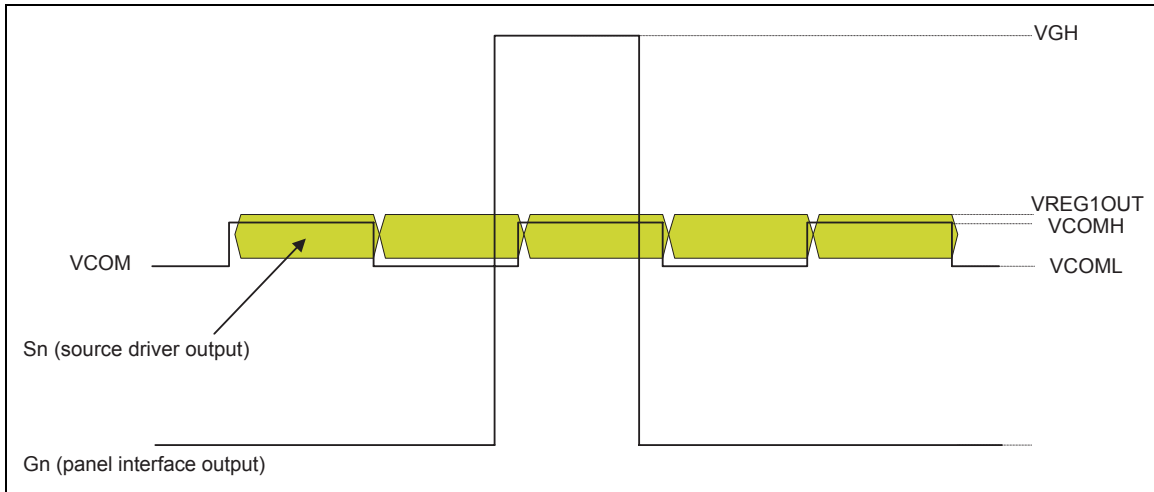


Figure 75

### **VCOMH voltage adjustment sequence**

When adjusting the VCOMH voltage by setting VCM1 [5:0] in the R29'h register (internal VCOMH level adjustment circuit), follow the sequence below. The R61505U can retain the VCOMH level adjustment setting values in NVM, which allows writing twice (only one setting value can be written in NVM at one time).

In writing the setting value in NVM, write the VCOMH adjustment setting value VCM1 [4:0] in ED[4:0] and ED[7] = 0 when writing in NVM for the first time or ED[7] = 1 when writing for the second time. When writing the setting value in NVM, follow the NVM control sequence and NVM write sequence in the following pages.

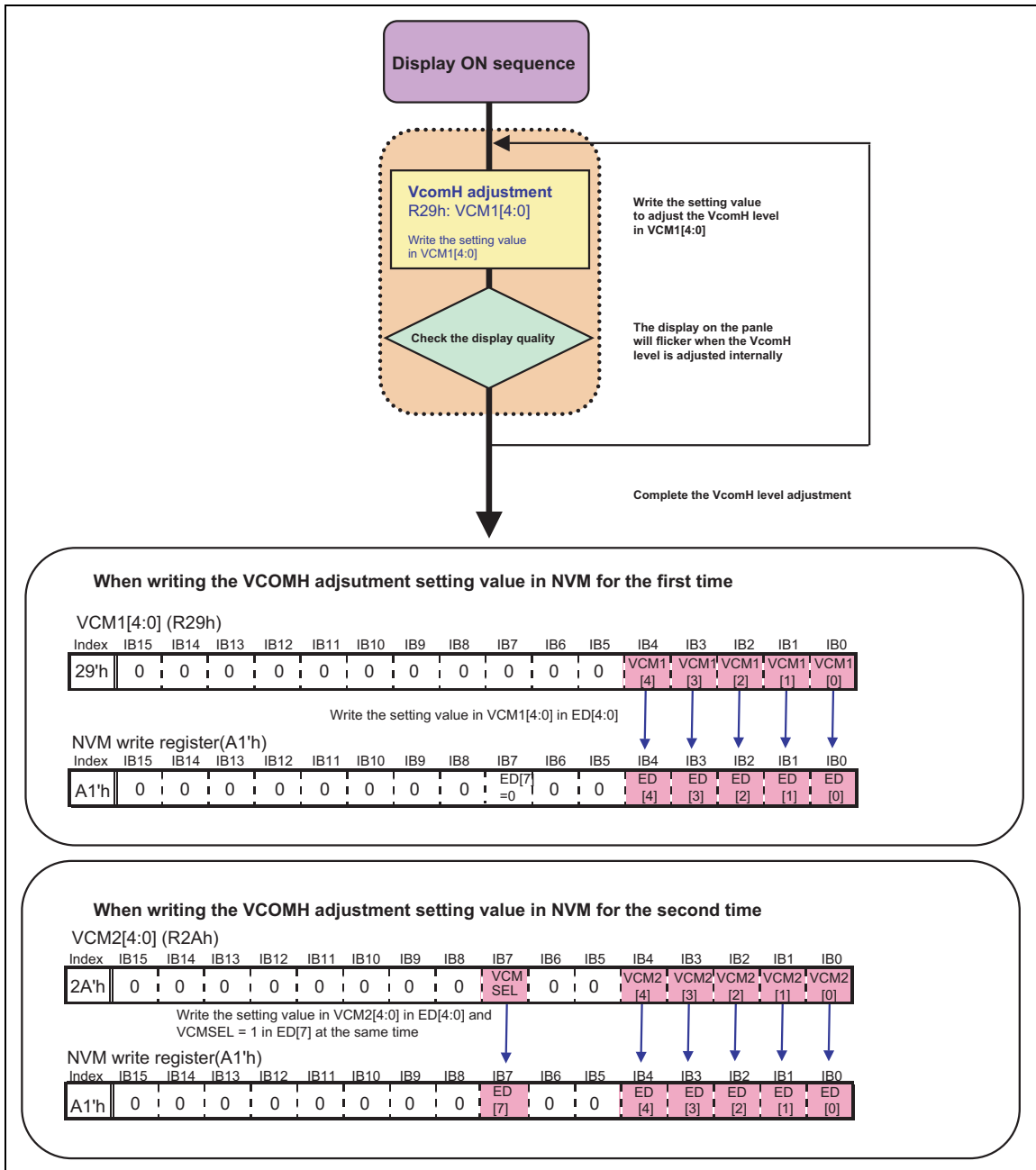


Figure 76

NVM control sequence

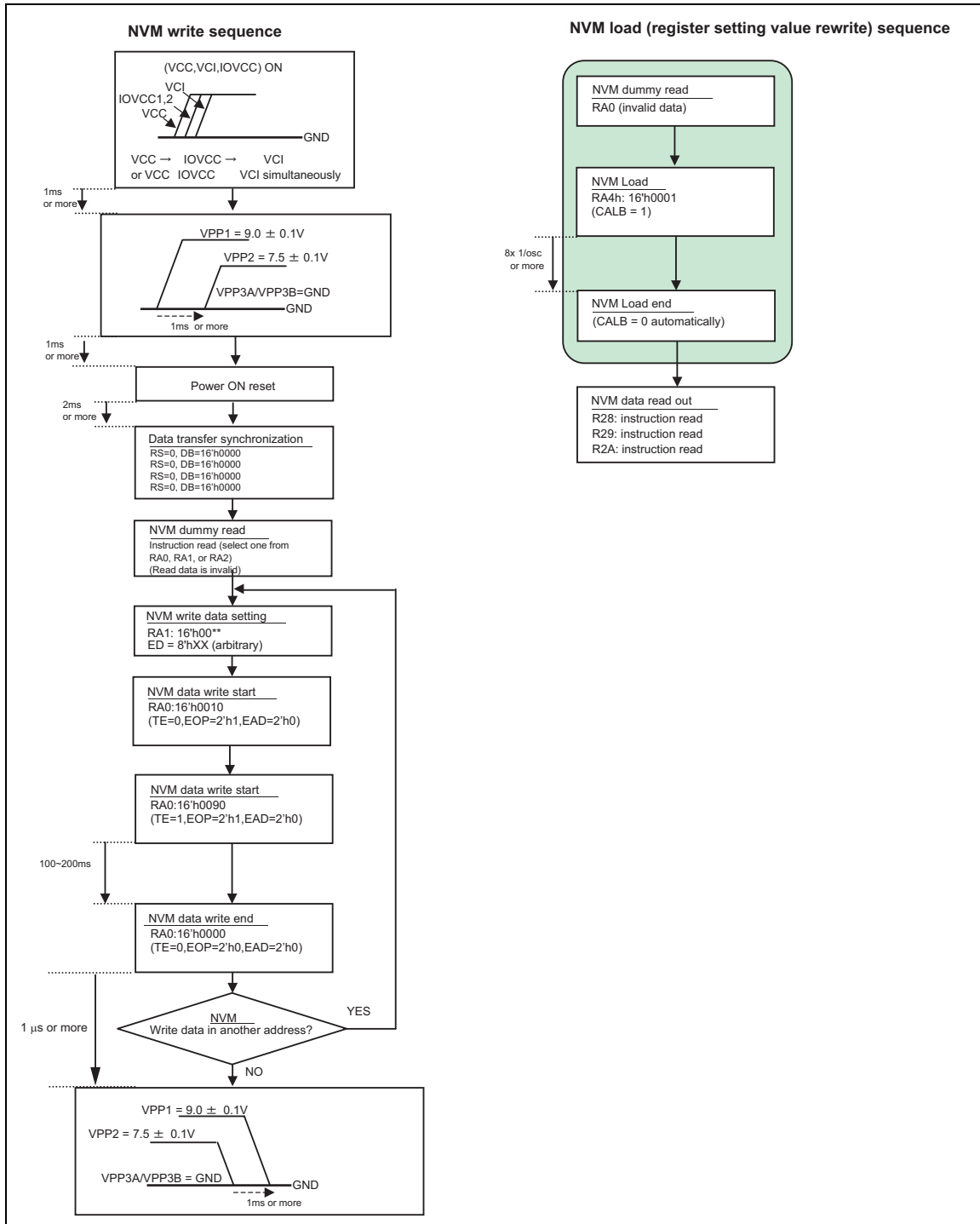


Figure 77

NVM Write In Sequence

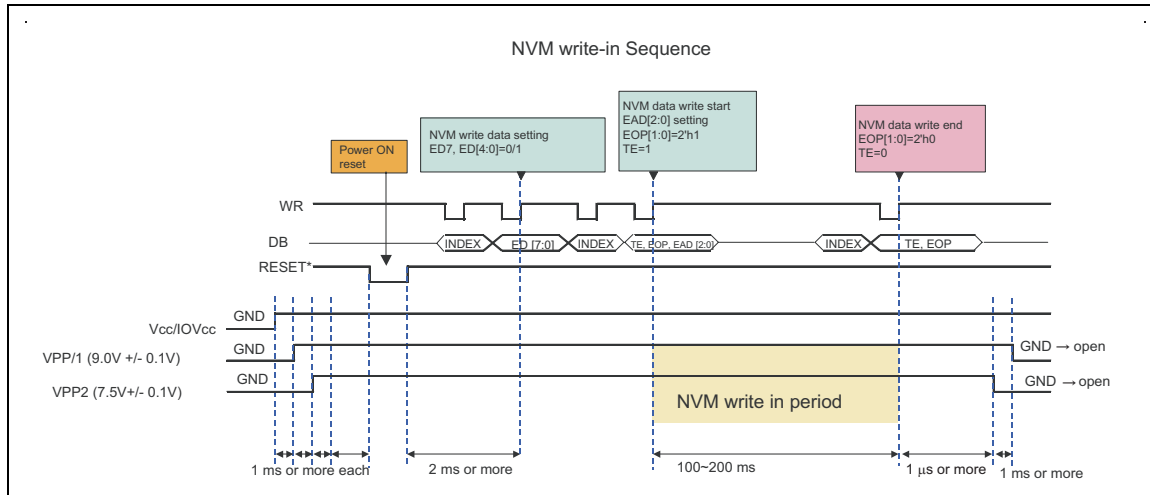


Figure 78

NVM Read Out Sequence

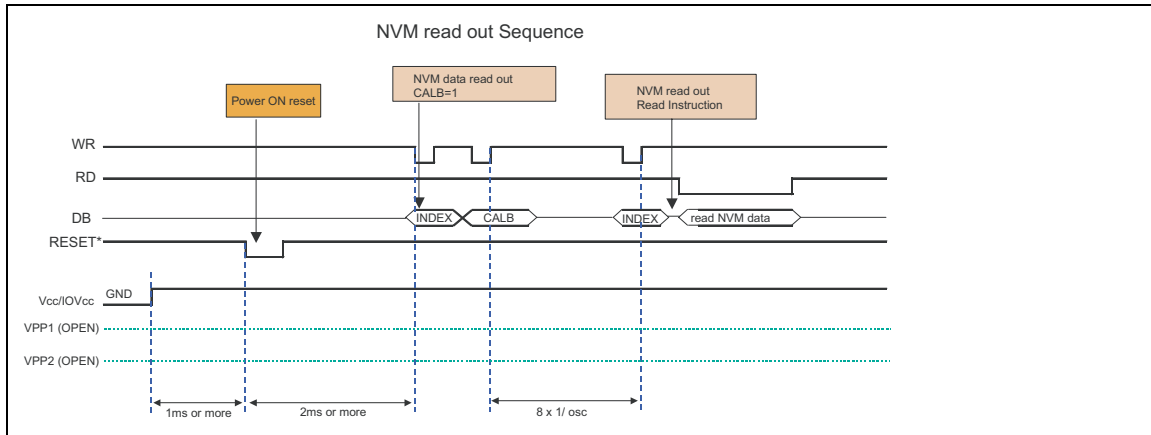


Figure 79

Written data on NVM can be confirmed by reading instruction registers. The write-in area is R28'h to R2A'h. Following table shows example of the reading out.

Do not concern about ID7-5 (R29h) and ID6-5 (R2Ah) bits as individual die have different data. Check only the bits marked "user setting".

Table 90

Index	ID7	ID6	ID5	ID4	ID3	ID2	ID1	ID0	
28'h	0	0	0	0	User setting	User setting	User setting	User setting	To write in user ID
29'h	*	*	*	User setting	User setting	User setting	User setting	User setting	To write in VCOM setting
2A'h	VCMSEL	*	*	User setting	User setting	User setting	User setting	User setting	To write in VCOM setting

NVM instruction dummy read sequence

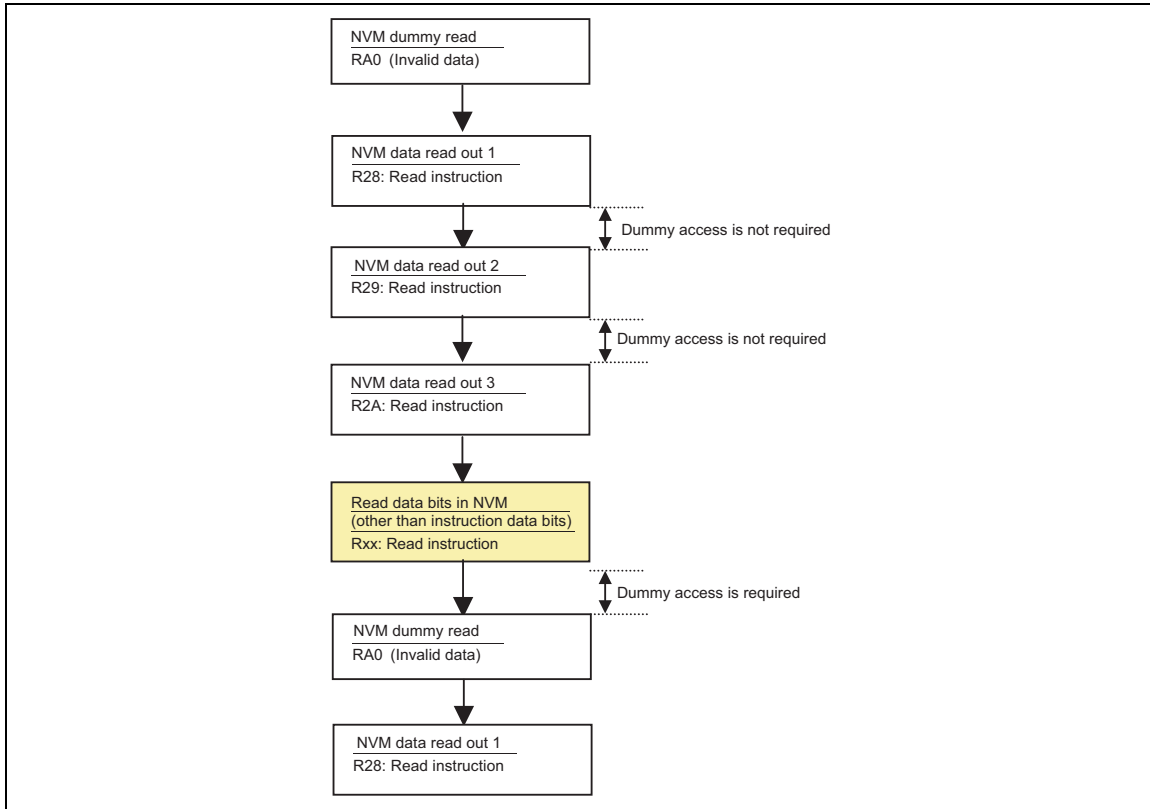


Figure 80



## Power supply Instruction Setting

The following are the sequences for setting power supply ON/OFF instructions. Set power supply ON/OFF instructions according to the following sequences in Display ON/OFF, Sleep set/exit sequences.

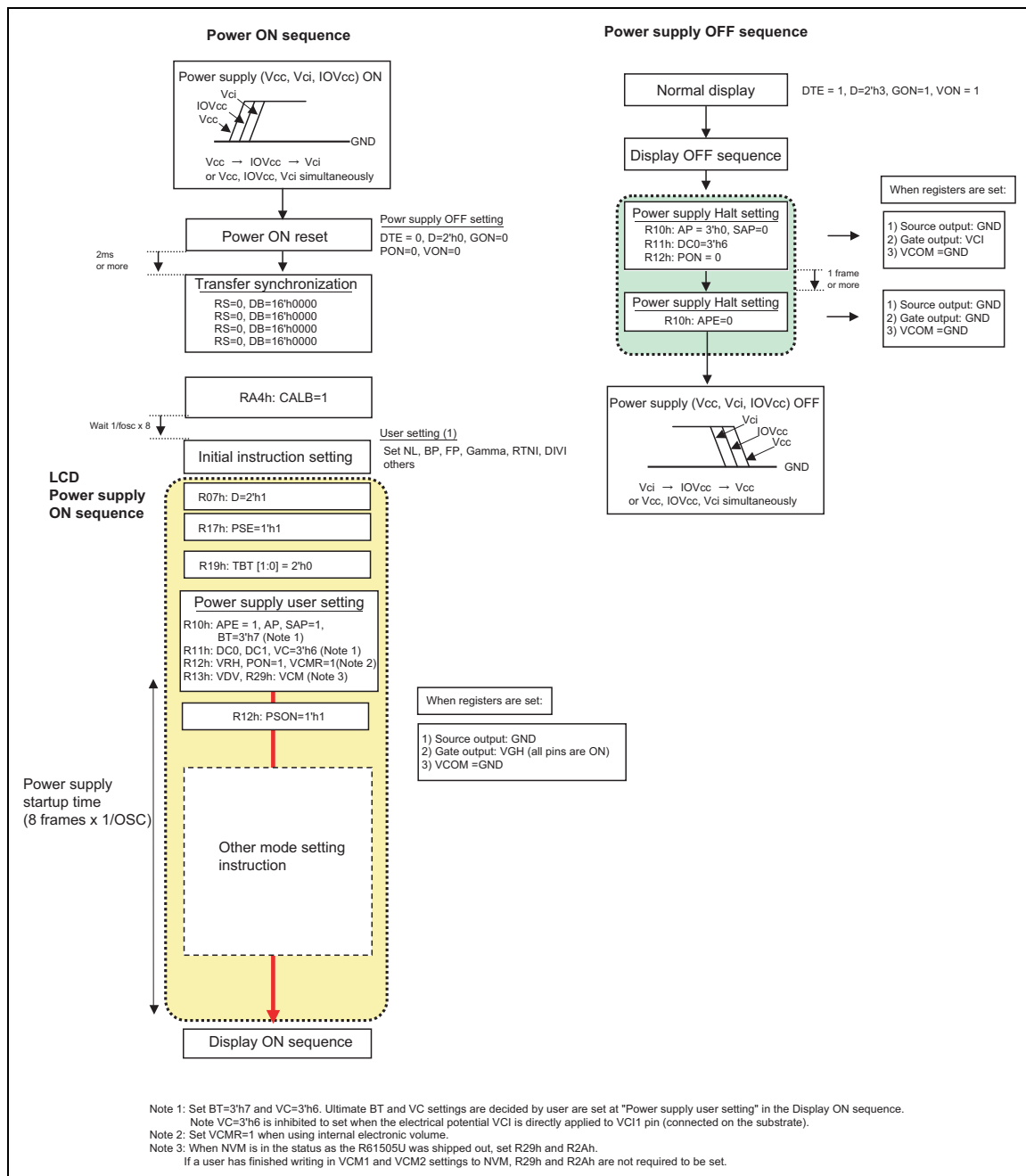


Figure 81

**Notes to Power Supply ON sequence**

When voltages do not rise in the order of VCC, IOVCC and then VCI and have to change the order, please follow the following note.

Note

Internal operation of the R61505U is unstable until VCC rises. If IOVCC rose before VCC rises, the R61505U may be in “output” status. In this case, do not send or receive any data before power supply is completed.

Changing order of voltage input will not cause troubles such as latchup or destruction of the LSI.

## Instruction setting

The following are the sequences for various instruction settings. When setting instruction in the R61505U, follow the relevant sequence below.

### Display ON/OFF sequences

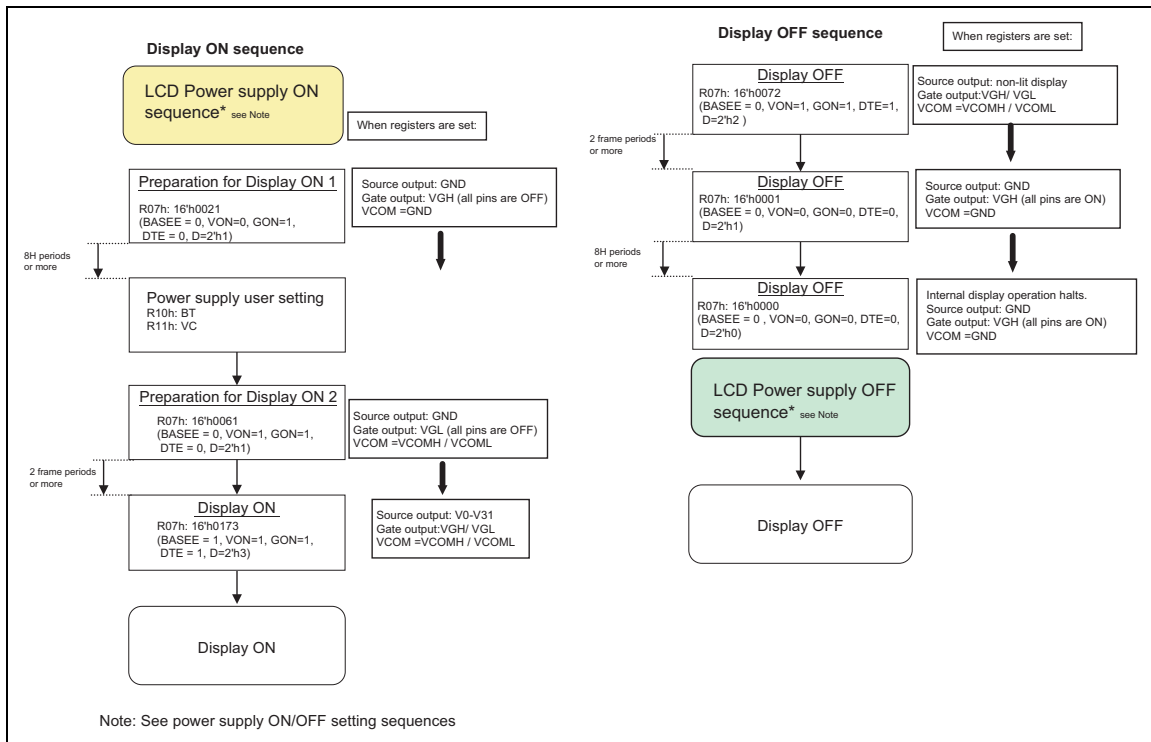


Figure 82

Sleep mode SET/EXIT sequences

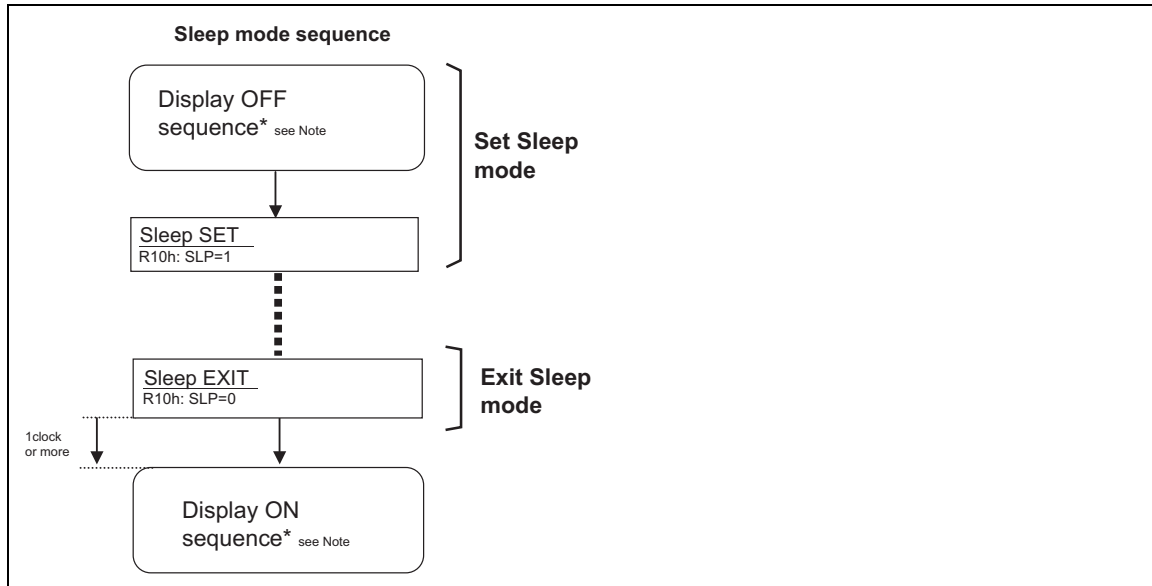


Figure 83

Deep standby mode IN/EXIT sequences

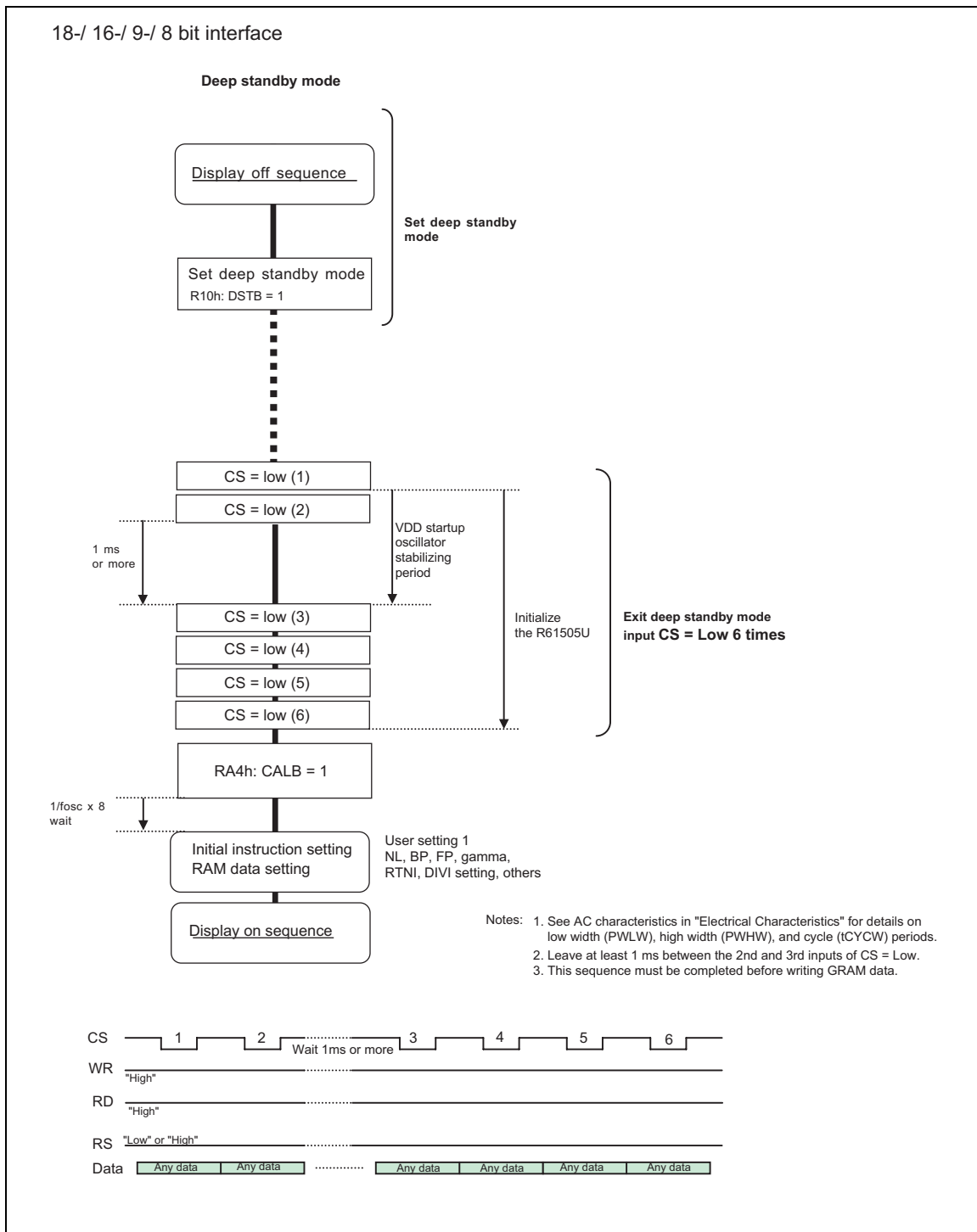


Figure 84 Cancel standby mode by inputting CS="Low" (18-/ 16-/ 9-/ 8- bit interface)

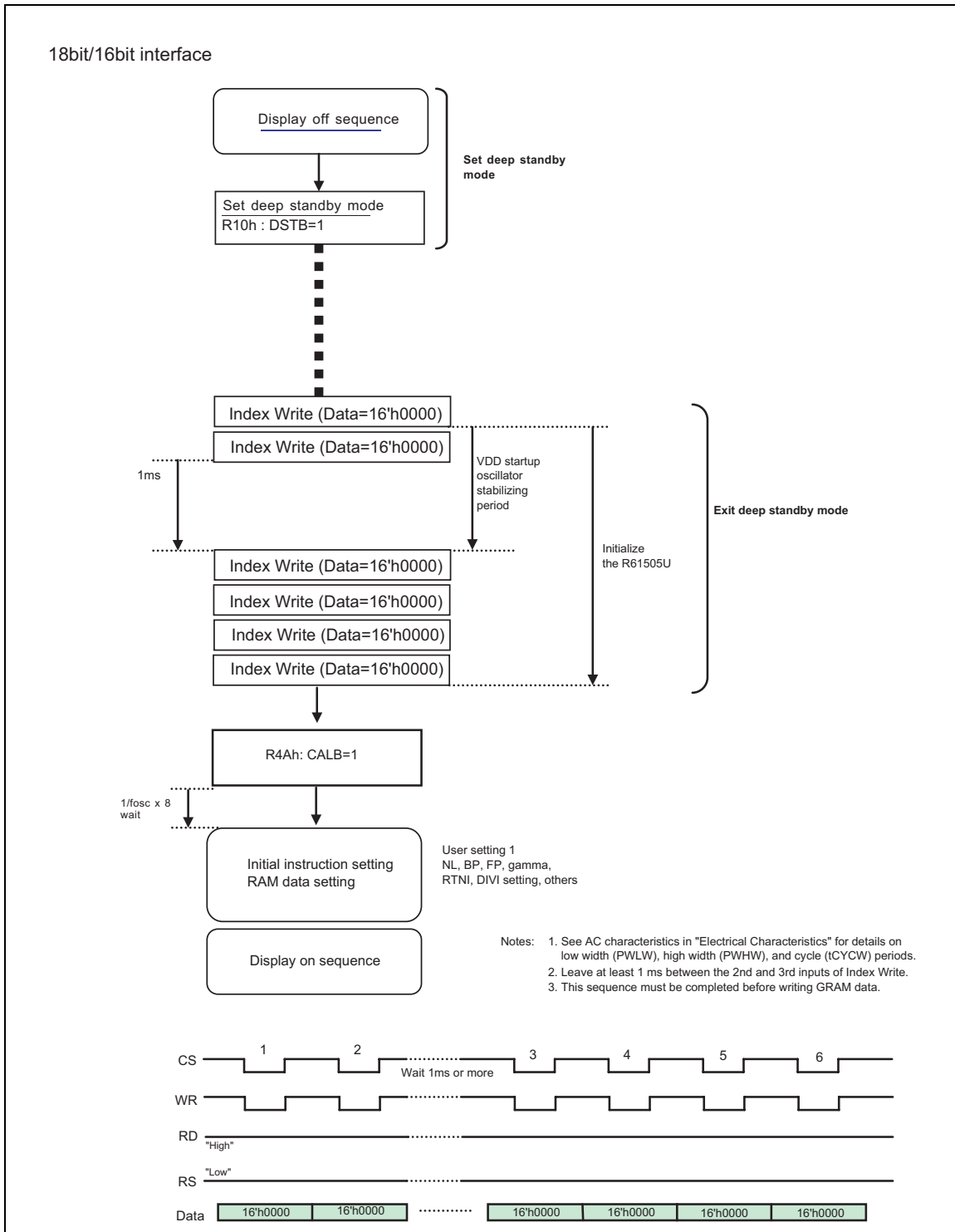


Figure 85 Cancel deep standby mode by inputting CS="Low" and WR="Low" (18-/ 16 bit interface)

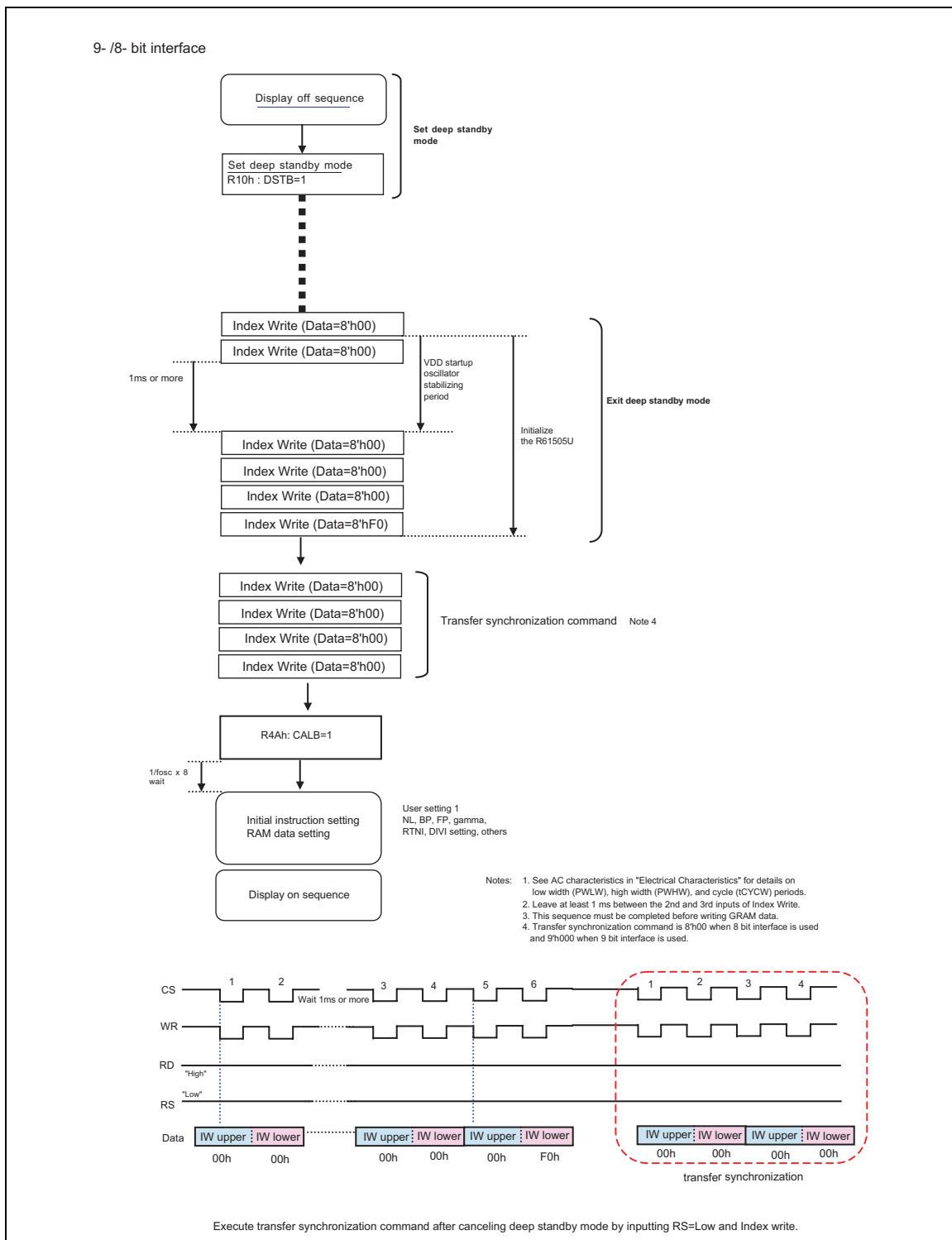


Figure 86 Cancel deep standby mode by inputting CS="Low" and WR="Low" (9- / 8- bit interface)

8-color mode setting

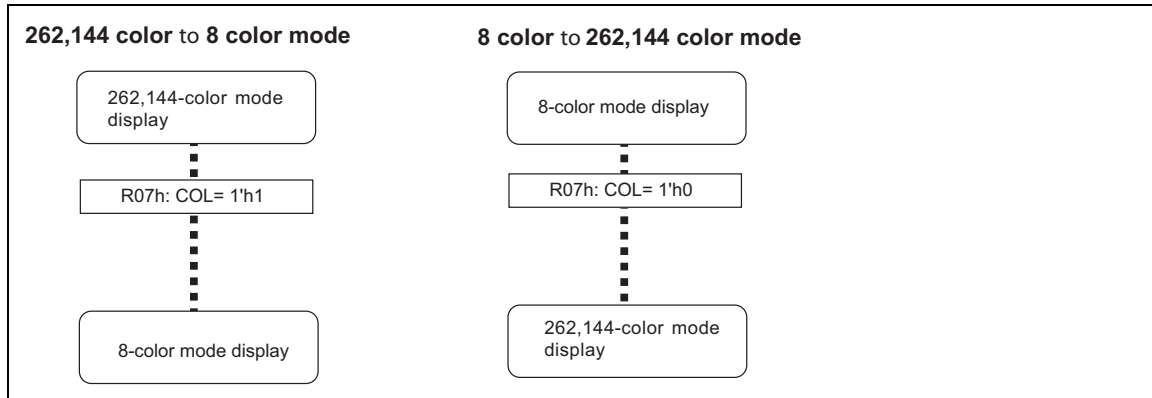


Figure 87

Partial display setting

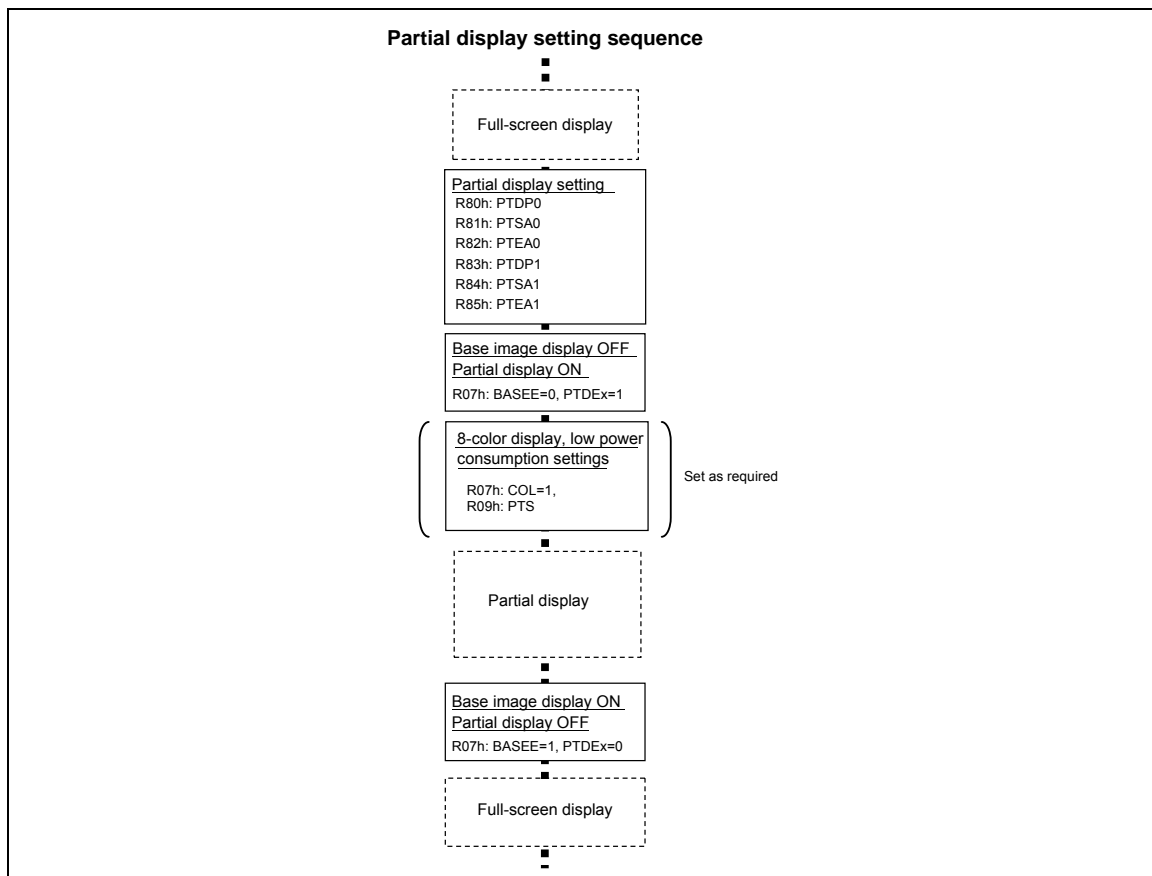


Figure 88



## Absolute Maximum Ratings

Table 91

Item	Symbol	Unit	Value	Note
Power Supply Voltage 1	VCC, IOVCC	V	-0.3 ~ +4.6	1, 2
Power Supply Voltage 2	VCI – AGND	V	-0.3 ~ +4.6	1, 3
Power Supply Voltage 3	DDVDH – AGND	V	-0.3 ~ +6.5	1, 4
Power Supply Voltage 4	AGND – VCL	V	-0.3 ~ +4.6	1
Power Supply Voltage 5	DDVDH – VCL	V	-0.3 ~ +9.0	1, 5
Power Supply Voltage 7	AGND – VGL	V	-0.3 ~ +13.0	1, 6
Power Supply Voltage 8	VGH– VGL	V	-0.3 ~ +30.0	1
Power Supply Voltage 9	VPP1	V	-0.3 ~ +10.0	1
Power Supply Voltage 10	VPP2	V	-0.3 ~ +10.0	1
Power Supply Voltage 11	VPP3A/VPP3B	V	0	1
Input Voltage	Vt	V	-0.3 ~ IOVCC + 0.3	1
Operating Temperature	Topr	°C	-40 ~ +85	1, 7
NVM Write Temperature	Twep	°C	+25 ~ +35	1
Storage Temperature	Tstg	°C	-55 ~ +110	1

Notes 1.If the R61505U is used beyond the absolute maximum ratings, the LSI may be permanently damaged. It is strongly recommended to use the LSI under the condition within the electrical characteristics in normal operation. If exposed to the condition not within the electrical characteristics, it may affect the reliability of the device.

2. Make sure  $VCC(\text{high}) \geq GND(\text{low})$ ,  $IOVCC(\text{high}) \geq IOGND(\text{low})$ .
3. Make sure  $VCI(\text{high}) \geq AGND(\text{low})$ .
4. Make sure  $DDVDH(\text{high}) \geq AGND(\text{low})$ .
5. Make sure  $DDVDH(\text{high}) \geq VCL(\text{low})$ .
6. Make sure  $AGND(\text{high}) \geq VGL(\text{low})$ .
7. The DC/AC characteristics of die and wafer products are guaranteed at 85°C.

## Electrical Characteristics

DC characteristics (VCC= 2.50V~3.30V, IOVCC=1.65V~3.30V, Ta=-40C~+85C See note 1)

Table 92

Item	Symbol	Unit	Test Condition	Min.	Typ.	Max.	Note
Input "High" level voltage	V <sub>IH</sub>	V	IOVCC=1.65V~3.30V	0.80× IOVCC	—	IOVCC	2,3
Input "Low" level voltage	V <sub>IL</sub>	V	IOVCC=1.65V~3.30V	-0.3	—	0.20× IOVCC	2,3
Output "High" level voltage 1 (DB0-17, FMARK)	V <sub>OH</sub>	V	IOVCC=1.65V~3.30V, IOH=-0.1mA	0.8× IOVCC	—	—	2
Output "Low" level voltage 1 (DB0-17, FMARK)	V <sub>OL</sub>	V	IOVCC=1.65V~3.30V, IOL=0.1mA	—	—	0.20× IOVCC	2
Input / Output leakage current	I <sub>LI</sub>	μA	Vin=0~IOVCC	-1	—	1	4
Current Consumption ((IOVCC- IOGND) + (VCC-GND)) Normal operation mode (260k- color, display operation)	I <sub>OP1</sub>	μA	fosc=376/600kHz (320 line drive), IOVCC=VCC=3.00V, fFLM=70Hz, Ta=25C, RAM data: 18'h000000, See below for other data	—	175 (376KHz) 190 (600KHz)	295 (376KHz) 310 (600KHz)	5, 6
Current Consumption ((IOVCC- IOGND) + (VCC-GND)) 8-color mode, 64-line partial display operation	I <sub>OP2</sub>	μA	fosc=376/600kHz (64 line partial display), IOVCC=VCC=3.00V, fFLM=40Hz, Ta=25C, RAM data: 18'h'000000, See below for other data	—	140	—	5, 6
Current Consumption ((IOVCC- IOGND) + (VCC-GND)) Deep Standby mode	I <sub>DST</sub>	μA	IOVCC=VCC=3.00V, Ta=25C	—	0.1	1.0	5
Current Consumption ((IOVCC- IOGND) + (VCC-GND)) RAM access mode 1 (Normal write operation, HWM=0)	I <sub>RAM1</sub>	mA	IOVCC=2.40V, VCC=3.00V, tCYCW=125ns, Ta=25C, I80-8bit-I/F, TRIREG=1'h1, Consecutive RAM access during display operation, VCM1=5'h1D, AP=3'h3, BC0=0, FP=5, BP=8, γ register; 0(default), COL=0 (8-color mode)	—	2.0	—	6

## R61505U

Current Consumption ((IOVCC-IOGND) + (VCC-GND)) RAM access mode 2, High-speed write function (HWM=1)	I <sub>RAM2</sub>	mA	IOVCC=2.40V, VCC=3.00V, tCYCW=70ns, Ta=25C, I80-8bit-I/F, TRIREG=1'h1, Consecutive RAM access during display operation, VCM1=5'h1D, AP=3'h3, BC0=0, FP=5, BP=8, $\gamma$ register; 0(default), COL=0 (8-color mode)	—	1.7	—	6
LCD Power Supply Current (VCI-GND) 260-k color display operation	I <sub>ci1</sub>	mA	IOVCC=VCC=3.00V, VCI=3.00V,  fosc=376/600kHz (320 line), fFLM=70Hz, Ta=25C, RAM data: 18'h00000, REV="0", BC0=0, FP=5, BP=8, VxRPx="0", VxRNx="0", PxKPx="0", PxKNx="0", PxRPx="0", PxRNx="0", PxFPx="0", PxFNx="0", BT=3'h6, VC=3'h7, AP=3'h3, DC0=3'h1, DC1=3'h2, VRH=4'hA, VCM1=5'h1D, VDV=5'h8, VCMR=1'h1, COL=1'h0, GON=1, No load on the panel.	—	1.4 (376KHz) 1.9 (600KHz)	3.0 (376KHz) 3.5 (600KHz)	5, 6
LCD Power Supply Current (VCI-GND) 8-color (64-line partial) display operation	I <sub>ci2</sub>	mA	IOVCC=VCC= 3.00V, VCI=3.00V,  fosc=376/600kHz (64 line partial), fFLM=40Hz, Ta=25C, RAM data: 18'h00000, REV="0", BC0=0, FP=5, BP=8, VxRPx="0", VxRNx="0", PxKPx="0", PxKNx="0", PxRPx="0", PxRNx="0", PxFPx="0", PxFNx="0", BT=3'h6, VC=3'h7, AP=3'h3, DC0=3'h1, DC1=3'h2, VRH=4'hA, VCM1=5'h1D, VDV=5'h8, VCMR=1'h1, COL=1'h1, GON=1, No load on the panel.	—	0.5 (376KHz) 0.8 (600KHz)	—	5, 6
Output voltage dispersion	$\Delta V_O$	mV	—	—	5	—	7
Average output voltage variance	$\Delta V_{\Delta}$	mV	—	—35	—	35	8

## R61505U

### Step-Up Circuit Characteristics

Table 93

Item	Unit	Test Condition	Min.	Typ.	Max.	Note				
Step-up Output Voltage	VLOUT1	V	IOVCC=VCC=3.00[V],VCI=VCI1=2.5[V], fosc=376/600[kHz],Ta=25C, VC=3'h7, AP=3'h3, BT=3'h7, DC0=3'h4 (div. 1/16) , DC1=3'h4 (div. 1/ 256), COL=0, D=2'h0, VON=0, DIVI=2'h0, RTNI=5'h10, FP=4'h8, BP=4'h8, C11=C12=C13=C21=C22=C23=1[uF]/B Characteristics, VLOUT1=VLOUT2=VLOUT3=VCL=1[uF]/B Characteristics, No load on the panel, Iload1= -3 [mA]				4.57	4.84	-	-
	VLOUT2	V	IOVCC=VCC=3.00[V],VCI=VCI1=2.5[V], fosc=376/600[kHz],Ta=25C, VC=3'h7, AP=3'h3, BT=3'h7, IOVCC=VCC=3.00[V],VCI=VCI1=2.5[V], fosc=376/600[kHz], Ta=25C, VC=3'h7, AP=3'h3, BT=3'h7, DC0=3'h4 (div. 1/16), DC1=3'h4 (div. 1/256) , COL=0, D=2'h0, VON=0, DIVI=2'h0, RTNI=5'h10, FP=4'h8, BP=4'h8, C11=C12=C13=C21=C22=C23=1[uF]/B Characteristics, VLOUT1=VLOUT2=VLOUT3=VCL=1[uF]/B Characteristics, Iload2=-100[uA], No load on the panel.				13.72	14.40	-	-
	VLOUT3	V	IOVCC=VCC=3.00[V],VCI=VCI1=2.5[V], fosc=376/600[kHz], Ta=25C, VC=3'h7, AP=3'h3, BT=3'h7, DC0=3'h4 (div. 1/ 16), DC1=3'h4 (div. 1/ 256) , COL=0, D=2'h0, VON=0, DIVI=2'h0, RTNI=5'h10, FP=4'h8, BP=4'h8, C11=C12=C13=C21=C22=C23=1[uF]/B Characteristics, VLOUT1=VLOUT2=VLOUT3=VCL=1[uF]/B Characteristics, Iload3=+100[uA], No load on the panel.				-6.86	-7.13	-	-
	VCL	V	IOVCC=VCC=3.00[V], VCI=VCI1=2.5[V], fosc=376/600[kHz], Ta=25C, VC=3'h7, AP=3'h3, BT=3'h7, DC0=3'h4 (div. 1/16), DC1=3'h4 (div. 1/ 256), COL=0, D=2'h0, VON=0, DIVI=2'h0, RTNI=5'h10, FP=4'h8, BP=4'h8, C11=C12=C13=C21=C22=C23=1[uF]/B Characteristics, VLOUT1=VLOUT2=VLOUT3=VCL=1[uF]/B Characteristics, Iload4=+200[uA], No load on the panel.				-2.25	-2.30	-	-
Input Voltage	VCI	V	2.5	-	3.3	-				

### Internal Reference Voltage (Condition: VCC= 2.50V~3.30V, Ta=25°C)

Table 94

Item	Symbol	Unit	Min.	Typ.	Max.	Note
Internal Reference Voltage	VCIR	V	2.45	2.50	2.55	12

## R61505U

### AC Characteristics

(VCC= 2.50V~3.30V, IOVCC=1.65V~3.30V, Ta=-40C~+85C See Note 1)

#### 1. Clock Characteristics

Table 95

Item	Symbol	Unit	Test Condition	Min.	Typ.	Max.	Note
RC oscillation clock (R61505U0)	f <sub>osc</sub>	kHz	IOVCC=VCC=3.0V 25°C	349	376	402	9
RC oscillation clock (R61505U1)	f <sub>osc</sub>	kHz	IOVCC=VCC=3.0V 25°C	558	600	642	9

#### 2. 80-System Bus Interface Timing Characteristics (18-/ 16- bit interface)

Table 96 Normal write operation (HWM=0), IOVCC=1.65V~3.30V

Item		Symbol	Unit	Timing Diagram	Min.	Typ.	Max.
Bus cycle time	Write	t <sub>CYCW</sub>	ns	Figure 97	125	—	—
	Read	t <sub>CYCR</sub>	ns	Figure 97	450	—	—
Write low-level pulse width		PWLW	ns	Figure 97	45	—	—
Read low-level pulse width		PWLR	ns	Figure 97	170	—	—
Write high-level pulse width		PWHW	ns	Figure 97	70	—	—
Read high-level pulse width		PWHR	ns	Figure 97	250	—	—
Write / Read rise/ fall time		t <sub>WRr</sub> , t <sub>WRf</sub>	ns	Figure 97	—	—	25
Setup time	Write (RS to CS*, WR*)	t <sub>AS</sub>	ns	Figure 97	0	—	—
	Read (RS to CS*, RD*)		ns	Figure 97	10	—	—
Address hold time		t <sub>AH</sub>	ns	Figure 97	2	—	—
Write data setup time		t <sub>DSW</sub>	ns	Figure 97	25	—	—
Write data hold time		t <sub>H</sub>	ns	Figure 97	10	—	—
Read data delay time		t <sub>DDR</sub>	ns	Figure 97	—	—	150
Read data hold time		t <sub>DHR</sub>	ns	Figure 97	5	—	—

**R61505U****Table 97 High-speed write Function (HWM=1), IOVCC=1.65~3.30V**

Item		Symbol	Unit	Timing Diagram	Min.	Typ.	Max.
Bus cycle time	Write	tCYCW	ns	Figure 97	75	—	—
	Read	tCYCR	ns	Figure 97	450	—	—
Write low-level pulse width		PWLW	ns	Figure 97	40	—	—
Read low-level pulse width		PWLR	ns	Figure 97	170	—	—
Write high-level pulse width		PWHW	ns	Figure 97	25	—	—
Read high-level pulse width		PWHR	ns	Figure 97	250	—	—
Write / Read rise/ fall time		tWRr, WRf	ns	Figure 97	—	—	25
Setup time	Write (RS to CS*, WR*)	tAS	ns	Figure 97	0	—	—
	Read (RS to CS*, RD*)		ns	Figure 97	10	—	—
Address hold time		tAH	ns	Figure 97	2	—	—
Write data setup time		tDSW	ns	Figure 97	25	—	—
Write data hold time		tH	ns	Figure 97	10	—	—
Read data delay time		tDDR	ns	Figure 97	—	—	150
Read data hold time		tDHR	ns	Figure 97	5	—	—

**R61505U****3. 80-System Bus Interface Timing Characteristics (9-/ 8- bit interface)****Table 98 Normal Write Function (HWM=0)/ High-speed Write Function (HWM=1), IOVCC=1.65~3.30V)**

Item		Symbol	Unit	Timing Diagram	Min.	Typ.	Max.
Bus cycle time	Write	tCYCW	ns	Figure 97	70	—	—
	Read	tCYCR	ns	Figure 97	450	—	—
Write low-level pulse width		PWLW	ns	Figure 97	30	—	—
Read low-level pulse width		PWLR	ns	Figure 97	170	—	—
Write high-level pulse width		PWHW	ns	Figure 97	25	—	—
Read high-level pulse width		PWHR	ns	Figure 97	250	—	—
Write / Read rise/ fall time		t <sub>WRr</sub> , t <sub>WRf</sub>	ns	Figure 97	—	—	25
Setup time	Write (RS to CS*, WR*)	t <sub>AS</sub>	ns	Figure 97	0	—	—
	Read (RS to CS*, RD*)		ns	Figure 97	10	—	—
Address hold time		t <sub>AH</sub>	ns	Figure 97	2	—	—
Write data setup time		t <sub>DSW</sub>	ns	Figure 97	25	—	—
Write data hold time		t <sub>H</sub>	ns	Figure 97	10	—	—
Read data delay time		t <sub>DDR</sub>	ns	Figure 97	—	—	150
Read data hold time		t <sub>DHR</sub>	ns	Figure 97	5	—	—

## R61505U

### 4. Clock-synchronized Serial Interface Timing Characteristics

**Table 99 Normal Write Function (HWM=0), High-speed Write Function (HWM=1), IOVCC=1.65~3.30V)**

Item		Symbol	Unit	Timign Diagram	Min.	Typ.	Max.
Serial clock cycle time	Write (receive)	tSCYC	ns	Figure 98	100	—	20,000
	Read (transmitted)	tSCYC	ns	Figure 98	350	—	20,000
Serial clock high-level width	Write (receive)	tSCH	ns	Figure 98	40	—	—
	Read (transmitted)	tSCH	ns	Figure 98	150	—	—
Serial clock low-level width	Write (receive)	tSCL	ns	Figure 98	40	—	—
	Read (transmitted)	tSCL	ns	Figure 98	150	—	—
Serial clock rise/fall time		tScr, tScf	ns	Figure 98	—	—	20
Chip select setup time		tCSU	ns	Figure 98	20	—	—
Chip select hold time		tCH	ns	Figure 98	60	—	—
Serial input data setup time		tSISU	ns	Figure 98	30	—	—
Serial input data hold time		tSIH	ns	Figure 98	30	—	—
Serial output data delay time		tSOD	ns	Figure 98	—	—	130
Serial output data hold time		tSOH	ns	Figure 98	5	—	—

### 5. Reset Timing Characteristics (IOVCC=1.65~3.30V)

**Table 100**

Item		Symbol	Unit	Timign Diagram	Min.	Typ.	Max.
Reset low-level width		tRES	ms	Figure 99	1	—	—
Reset rise time		trRES	μs	Figure 99	—	—	10



## R61505U

### 6. RGB Interface Timing Characteristics

**Table 101 18-/ 16- bit RGB interface (HWM=1), IOVCC=1.65~3.30V**

Item	Symbol	Unit	Timign Diagram	Min.	Typ.	Max.
VSYNC/HSYNC setup time	tSYNCS	clock	Figure 100	0	—	1
ENABLE setup time	tENS	ns	Figure 100	10	—	—
ENABLE hold time	tENH	ns	Figure 100	20	—	—
DOTCLK low-level pulse width	PWDL	ns	Figure 100	40	—	—
DOTCLK high-level pulse width	PWDH	ns	Figure 100	40	—	—
DOTCLK cycle time	tCYCD	ns	Figure 100	100	—	—
Data setup time	tPDS	ns	Figure 100	10	—	—
Data hold time	tPDH	ns	Figure 100	40	—	—
DOTCLK, VSYNC and HSYNC rise/fall time	trgbr, trgbf	ns	Figure 100	—	—	25

**Table 102 6-bit RGB interface (HWM=1), IOVCC=1.65~3.30V**

Item	Symbol	Unit	Timign Diagram	Min.	Typ.	Max.
VSYNC/HSYNC setup time	tSYNCS	clock	Figure 100	0	—	1
ENABLE setup time	tENS	ns	Figure 100	10	—	—
ENABLE hold time	tENH	ns	Figure 100	25	—	—
DOTCLK low-level pulse width	PWDL	ns	Figure 100	25	—	—
DOTCLK high-level pulse width	PWDH	ns	Figure 100	25	—	—
DOTCLK cycle time	tCYCD	ns	Figure 100	60	—	—
Data setup time	tPDS	ns	Figure 100	10	—	—
Data hold time	tPDH	ns	Figure 100	25	—	—
DOTCLK, VSYNC and HSYNC rise/fall time	trgbr, trgbf	ns	Figure 100	—	—	25

## R61505U

### 7. LCD driver Output Characteristics

Table 103

Item	Symbol	Unit	Timing Diagram	Min.	Typ.	Max.	Note
Source driver output delay time	tdds	μs	<p>VCC=IOVCC=3.00V, DDVDH=5.50V, VREG1OUT=5.00V, fosc=376/600kHz (320-line drive), Ta=25C, REV=0, AP=3'h3, VRH=4'h0, PxKPx=3'h0, PxKNx=3'h0, PxRNx=3'h0, PxRPx=3'h0, VxRNx=5'h0, VxRPx=5'h0, PxFPx=2'h0, PxFNx=2'h0</p> <p>Same change from same grayscale at all time-division source output pins.</p> <p>Time to reach +/- 35mV from VCOM polarity inversion timing..</p> <p>R=10kohm, C=20pF</p>	—	—	17	10
VCOM output delay time	tddv	μs	<p>VCC=IOVCC=3.00V, DDVDH=5.50V, VREG1OUT=5.00V, fosc=376/600kHz (320 line drive), Ta=25C, REV=0, AP=3'h3, VRH=4'h0, PxKPx=3'h0, PxKNx=3'h0, PxRNx=3'h0, PxRPx=3'h0, VxRNx=5'h0, VxRPx=5'h0, PxFPx=2'h0, PxFNx=2'h0</p> <p>Time to reach +/- 35mV when voltage on V0-V31 pins changes.</p> <p>R=100ohm, C=10nF</p>	—	—	17	11

## R61505U

### Notes on Electrical Characteristics

1. DC/AC electrical characteristics of bare die and wafer products are guaranteed at +85°C.
2. The followings illustrate the configurations of input, I/O, and output pins.

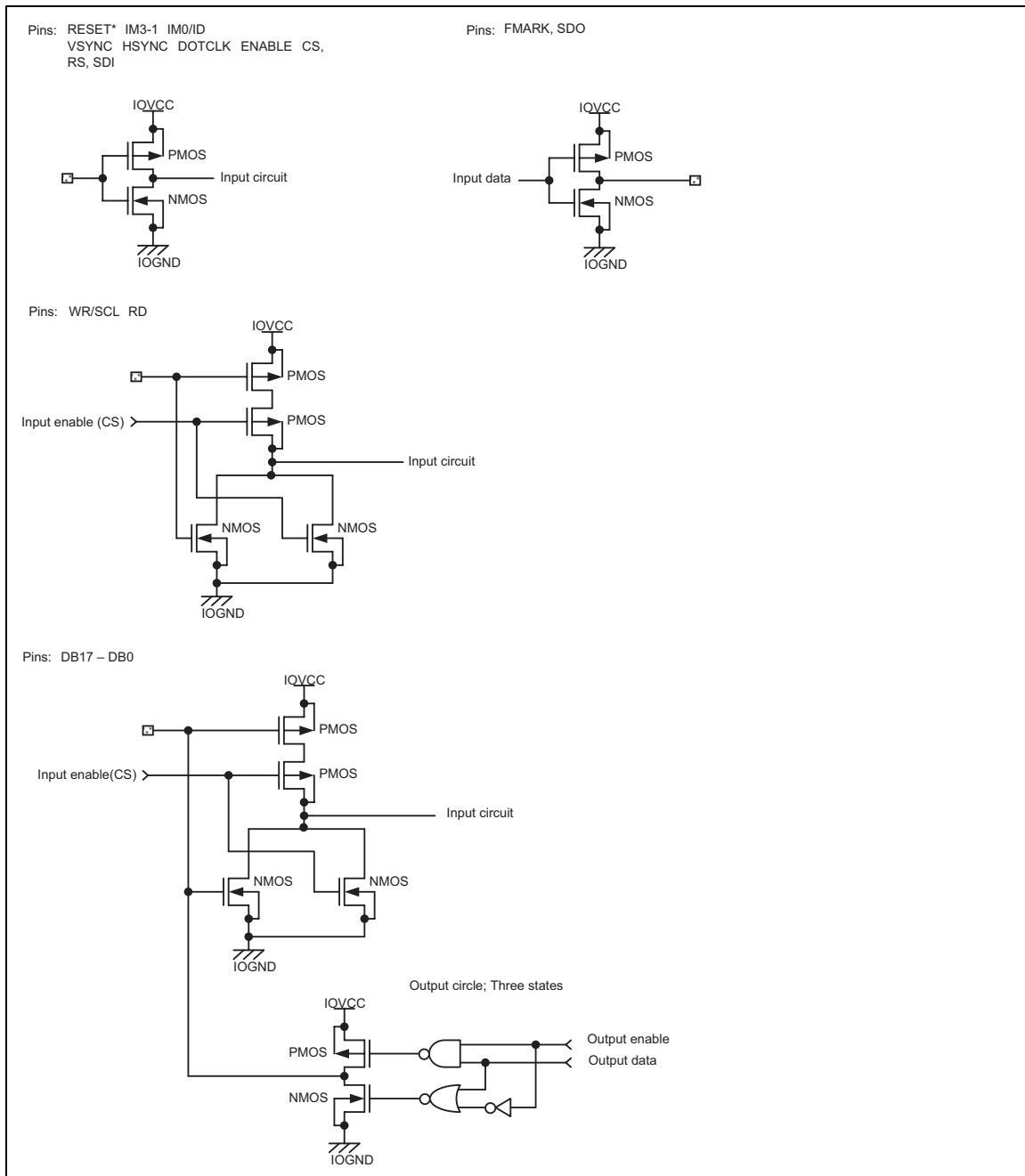


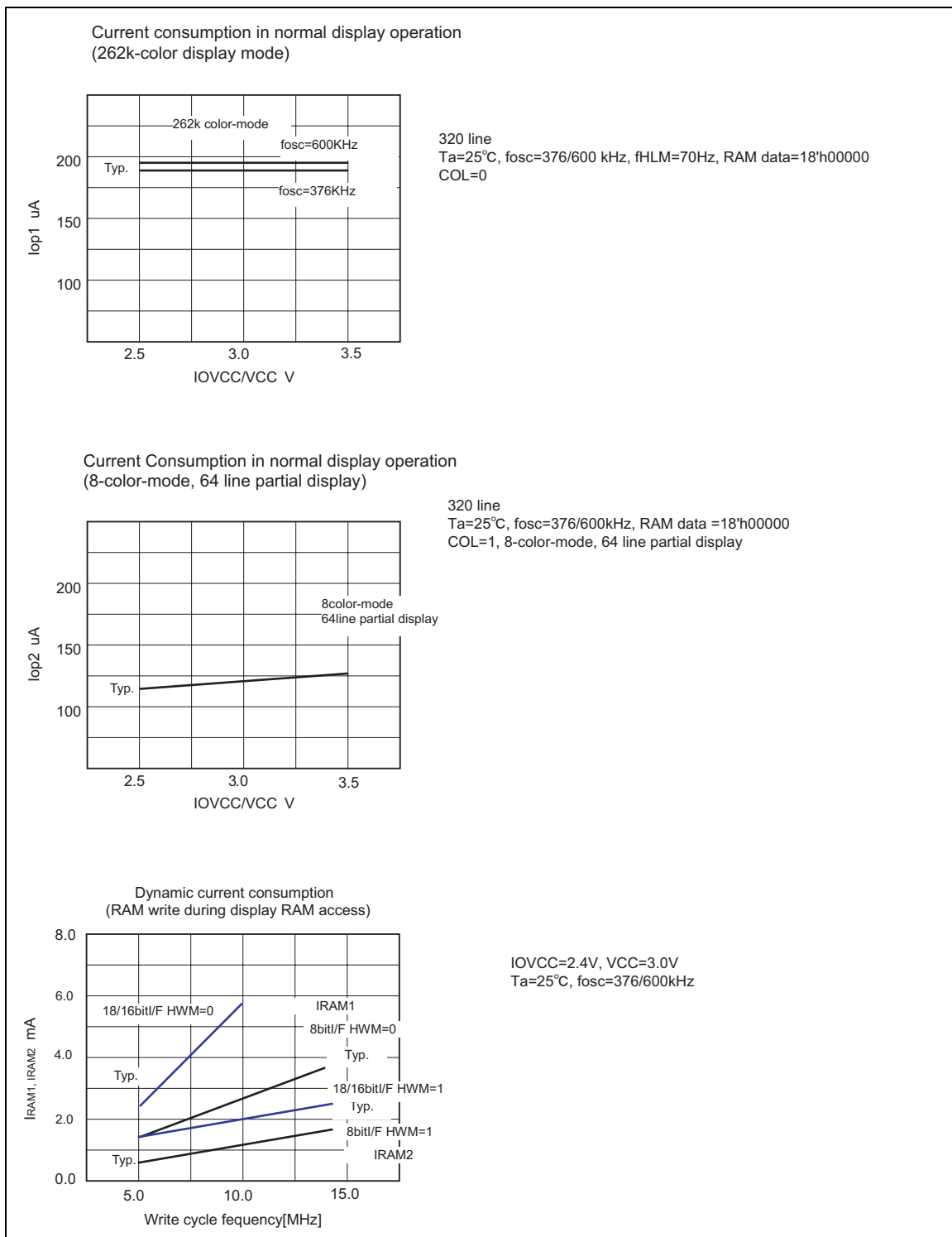
Figure 89

## **R61505U**

---

3. Fix pins as follows; TEST1/2/5 pins to IOGND, TEST3/4 pins to IOVCC, VDDTEST and VREFC to ground (AGND), and IM0/ID pins to IOVCC or IOGND.
4. This excludes the current in the output-drive MOS.
5. This excludes the current in the input/output units. Make sure that the input level is fixed because through current will increase in the input circuit when the CMOS input level takes a middle range level. The current consumption is unaffected by whether the CS\* pin is “high” or “low” while not accessing via interface pins.
6. The relation between voltage and current consumption is as follows.

**R61505U**



**Figure 90**

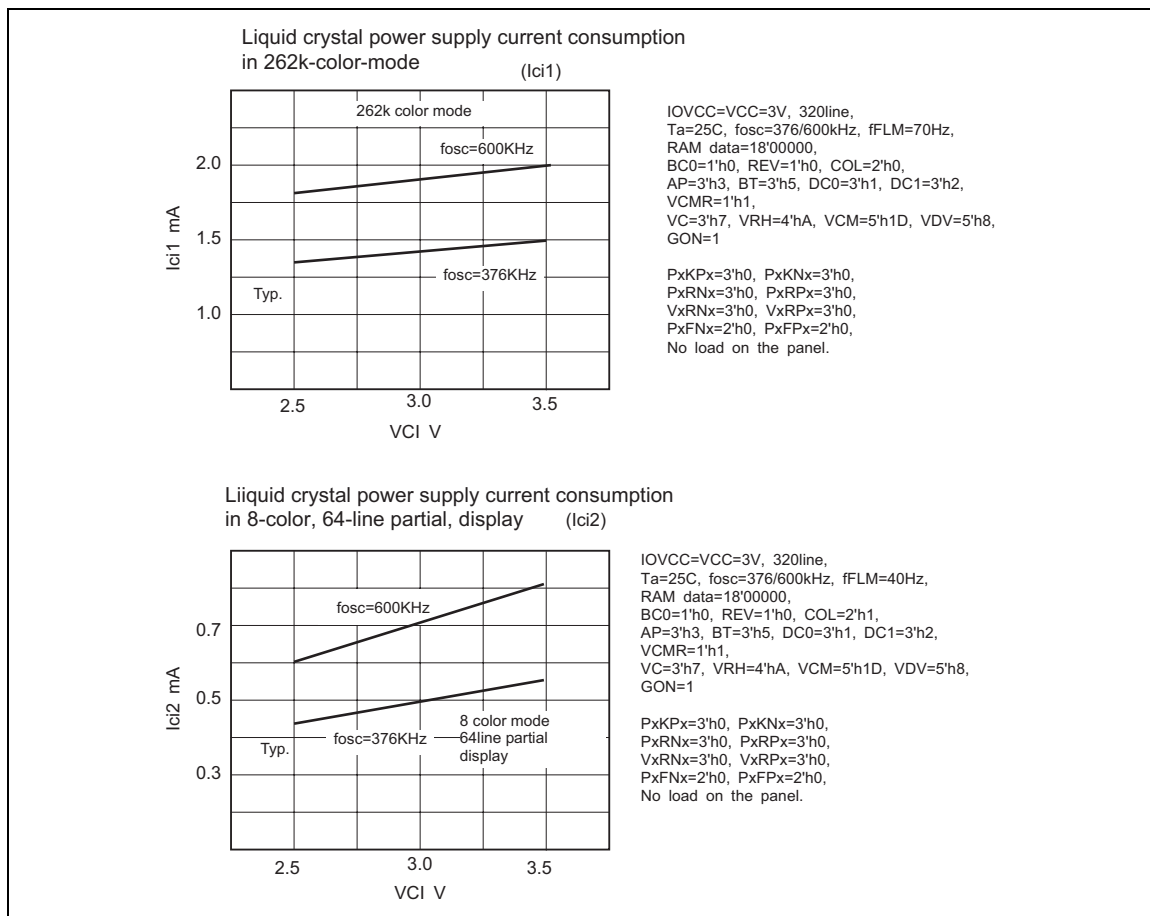
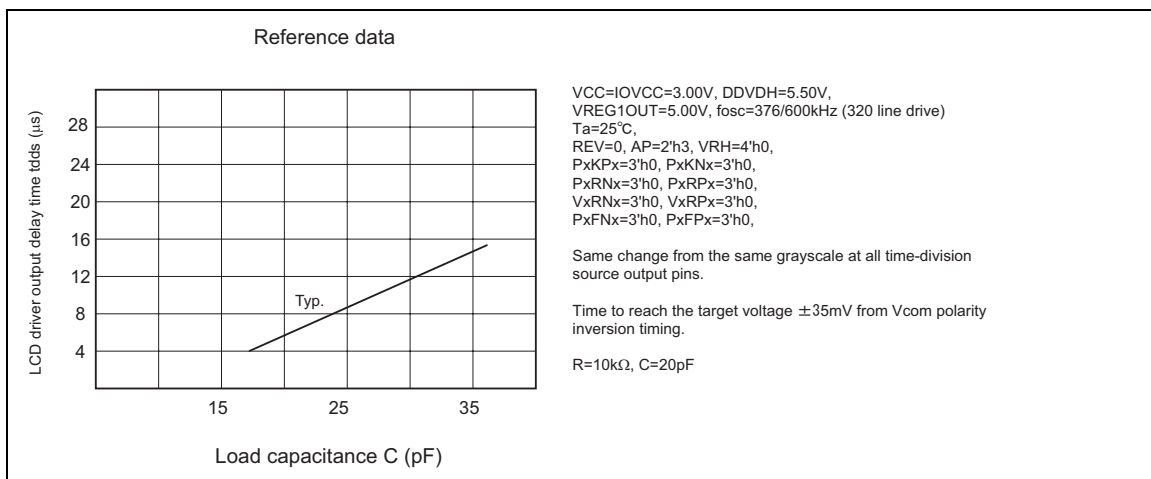


Figure 91

## R61505U

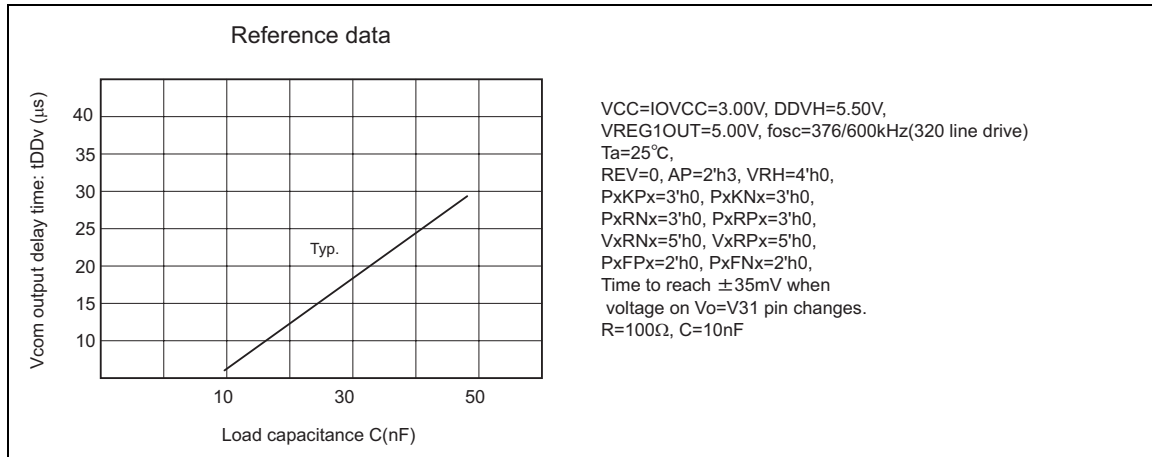
7. The output voltage deviation is the difference in the voltages between output pins that are placed side by side in same display mode. The output voltage deviation is reference value.
8. The average output voltage dispersion is the variance of average source-output voltage of different chips of the same product. The average source output voltage is measured for one chip with same display data.
9. This applies to internal oscillators when using an internal RC oscillator.
10. The liquid crystal driver output delay time depends on the load on the liquid crystal panel. Adjust the frame frequency and the cycle per line by checking the quality on the actual panel in use.



**Figure 92**

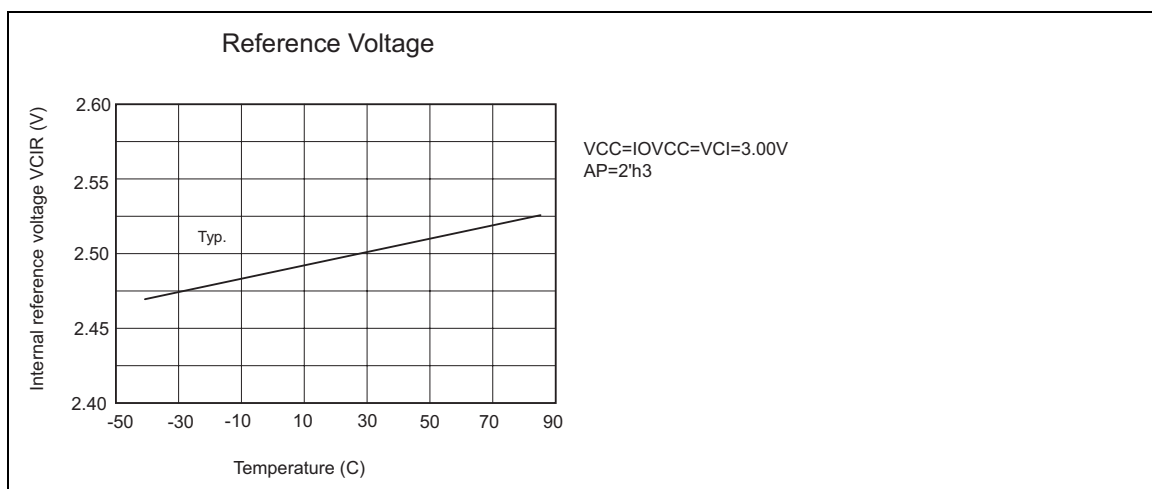
## R61505U

- 11 VCOM output delay time depends on the load on the liquid crystal panel. Adjust the frame frequency and the cycle per line checking the quality on the actual panel in use.



**Figure 93**

- 12 Internal reference voltage VCIR depends on temperature as shown in following graph.



**Figure 94**



Test Circuits

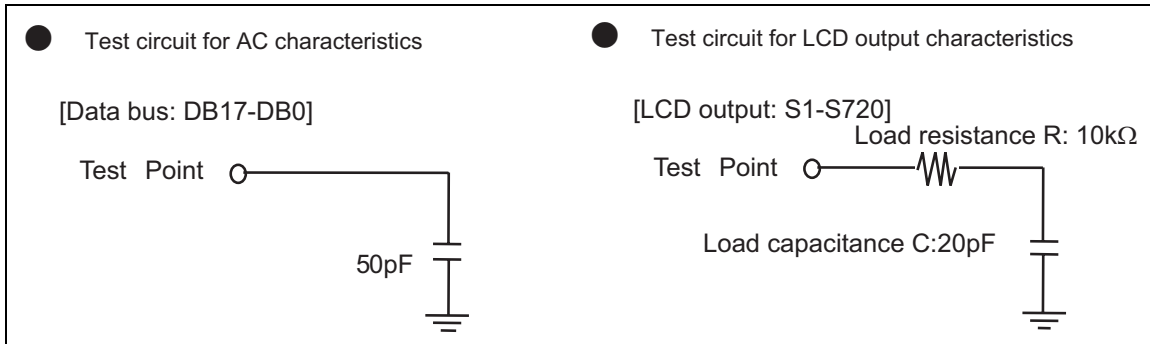


Figure 95

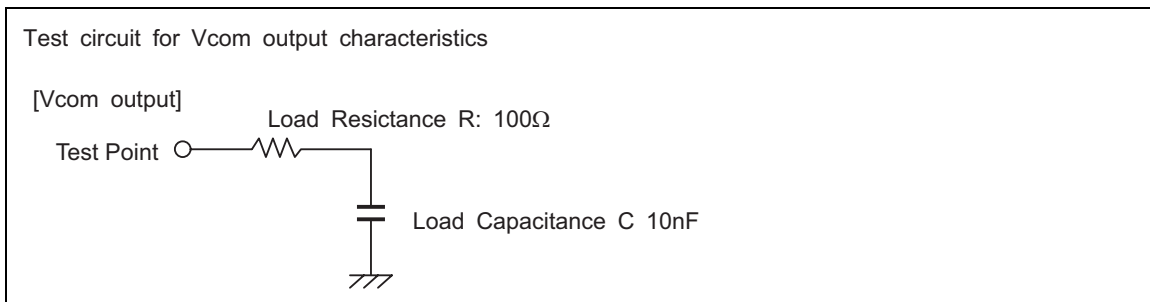


Figure 96

Test Characteristics

80-System Bus Interface

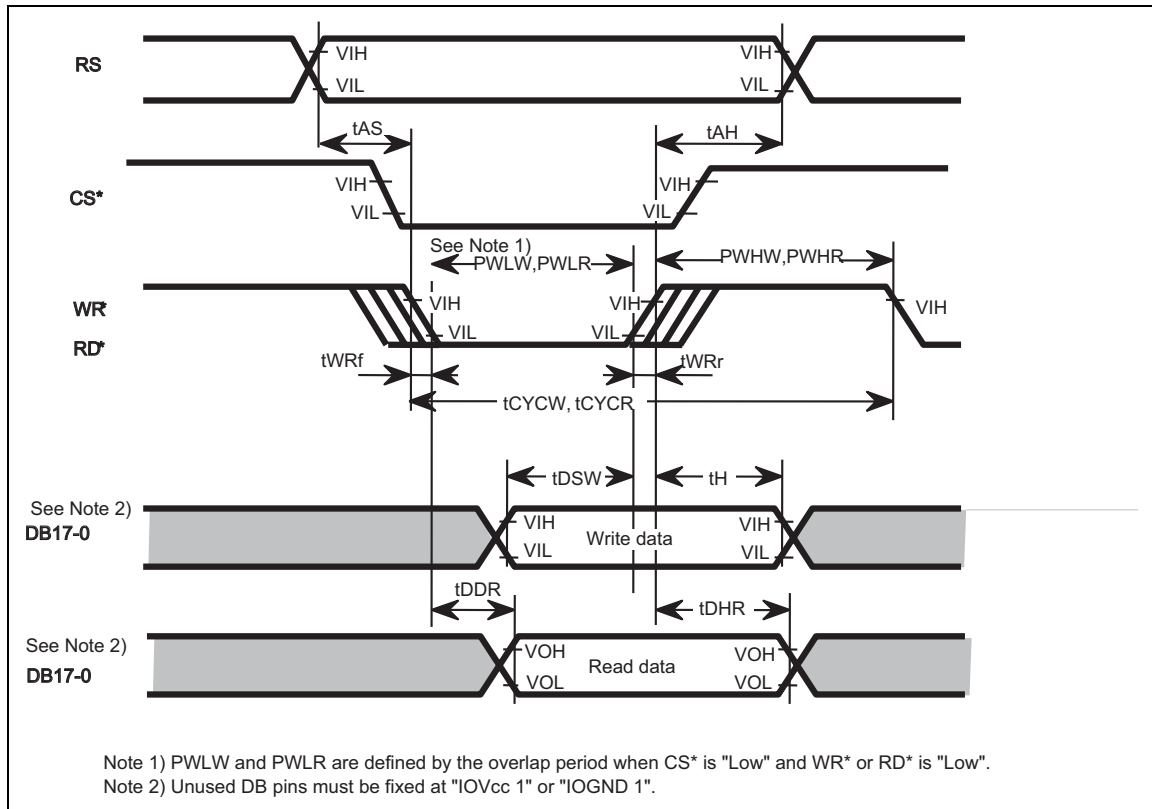


Figure 97 80-System Bus Interface

Clock Synchronous Serial Interface

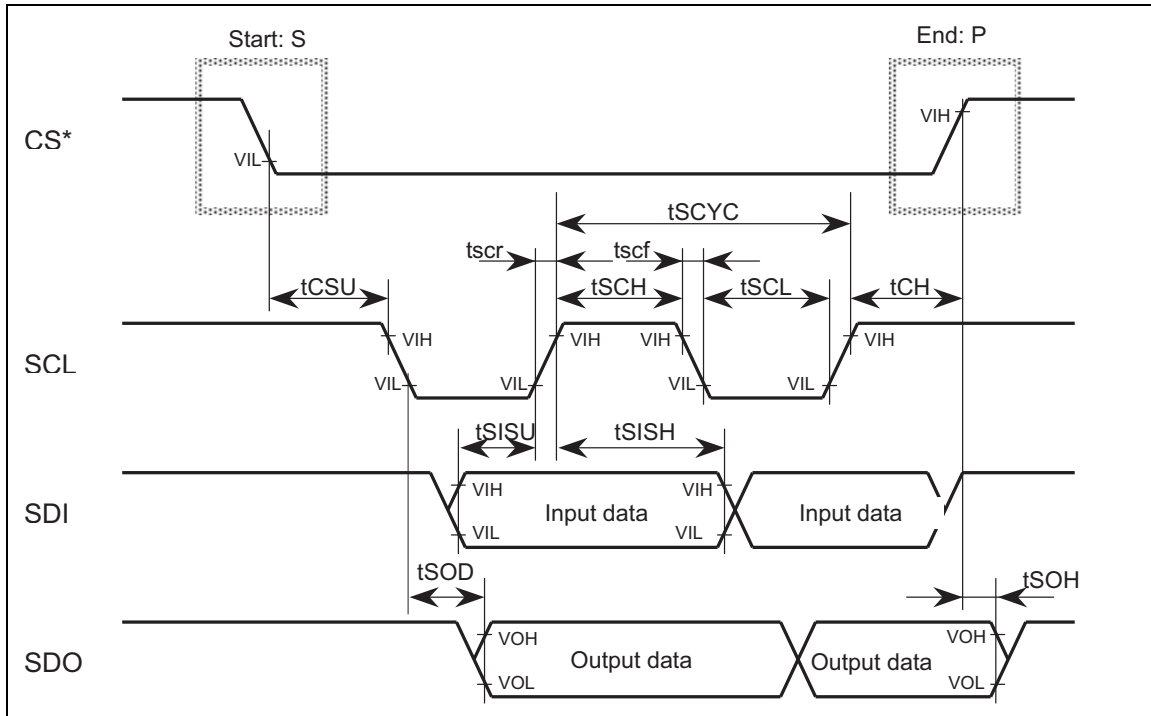


Figure 98 Clock Synchronous Serial Interface

Reset Operation

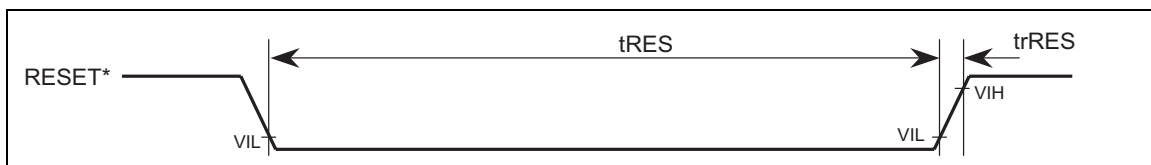


Figure 99 Reset Operation

RGB Interface

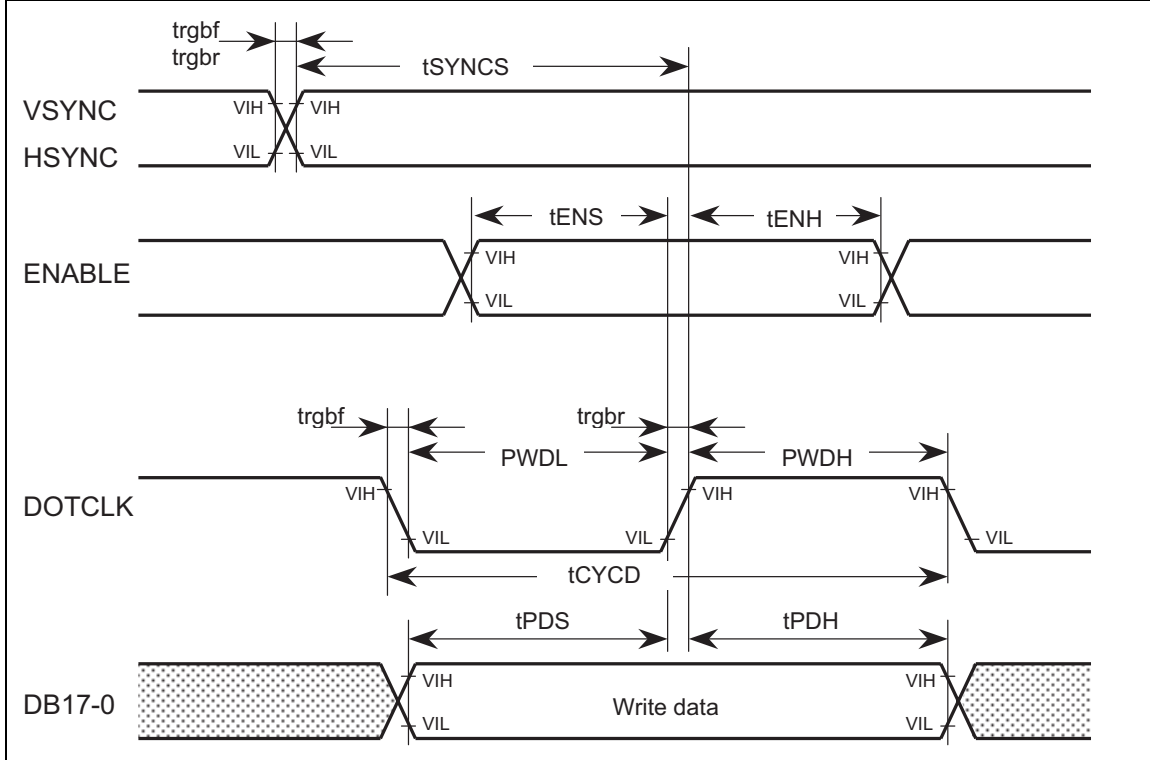


Figure 100 RGB Interface

LCD Driver Output

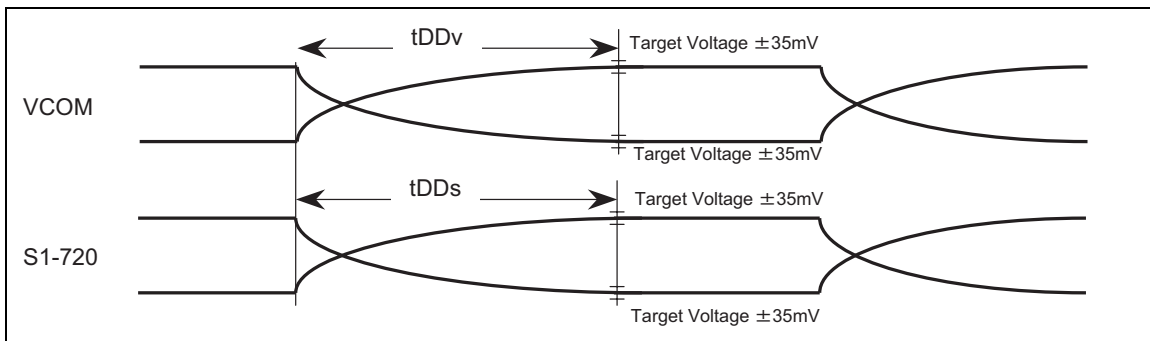


Figure 101 LCD Driver Outputs

**Keep safety first in your circuit designs!**

1. Renesas Technology Corp. puts the maximum effort into making semiconductor products better and more reliable, but there is always the possibility that trouble may occur with them. Trouble with semiconductors may lead to personal injury, fire or property damage.  
Remember to give due consideration to safety when making your circuit designs, with appropriate measures such as (i) placement of substitutive, auxiliary circuits, (ii) use of nonflammable material or (iii) prevention against any malfunction or mishap.

**Notes:**

- This document is provided for reference purposes only so that Renesas customers may select the appropriate Renesas products for their use. Renesas neither makes warranties or representations with respect to the accuracy or completeness of the information contained in this document nor grants any license to any intellectual property rights or any other rights of Renesas or any third party with respect to the information in this document.
- Renesas shall have no liability for damages or infringement of any intellectual property or other rights arising out of the use of any information in this document, including, but not limited to, product data, diagrams, charts, programs, algorithms, and application circuit examples.
- You should not use the products or the technology described in this document for the purpose of military applications such as the development of weapons of mass destruction or for the purpose of any other military use. When exporting the products or technology described herein, you should follow the applicable export control laws and regulations, and procedures required by such laws and regulations.
- All information included in this document such as product data, diagrams, charts, programs, algorithms, and application circuit examples, is current as of the date this document is issued. Such information, however, is subject to change without any prior notice. Before purchasing or using any Renesas products listed in this document, please confirm the latest product information with a Renesas sales office. Also, please pay regular and careful attention to additional and different information to be disclosed by Renesas such as that disclosed through our website. (<http://www.renesas.com>)
- Renesas has used reasonable care in compiling the information included in this document, but Renesas assumes no liability whatsoever for any damages incurred as a result of errors or omissions in the information included in this document.
- When using or otherwise relying on the information in this document, you should evaluate the information in light of the total system before deciding about the applicability of such information to the intended application. Renesas makes no representations, warranties or guarantees regarding the suitability of its products for any particular application and specifically disclaims any liability arising out of the application and use of the information in this document or Renesas products.
- With the exception of products specified by Renesas as suitable for automobile applications, Renesas products are not designed, manufactured or tested for applications or otherwise in systems the failure or malfunction of which may cause a direct threat to human life or create a risk of human injury or which require especially high quality and reliability such as safety systems, or equipment or systems for transportation and traffic, healthcare, combustion control, aerospace and aeronautics, nuclear power, or undersea communication transmission. If you are considering the use of our products for such purposes, please contact a Renesas sales office beforehand. Renesas shall have no liability for damages arising out of the uses set forth above.
- Notwithstanding the preceding paragraph, you should not use Renesas products for the purposes listed below:
  - artificial life support devices or systems
  - surgical implantations
  - healthcare intervention (e.g., excision, administration of medication, etc.)
  - any other purposes that pose a direct threat to human lifeRenesas shall have no liability for damages arising out of the uses set forth in the above and purchasers who elect to use Renesas products in any of the foregoing applications shall indemnify and hold harmless Renesas Technology Corp., its affiliated companies and their officers, directors, and employees against any and all damages arising out of such applications.
- You should use the products described herein within the range specified by Renesas, especially with respect to the maximum rating, operating supply voltage range, movement power voltage range, heat radiation characteristics, installation and other product characteristics. Renesas shall have no liability for malfunctions or damages arising out of the use of Renesas products beyond such specified ranges.
- Although Renesas endeavors to improve the quality and reliability of its products, IC products have specific characteristics such as the occurrence of failure at a certain rate and malfunctions under certain use conditions. Please be sure to implement safety measures to guard against the possibility of physical injury, and injury or damage caused by fire in the event of the failure of a Renesas product, such as safety design for hardware and software including but not limited to redundancy, fire control and malfunction prevention, appropriate treatment for aging degradation or any other applicable measures. Among others, since the evaluation of microcomputer software alone is very difficult, please evaluate the safety of the final products or system manufactured by you.
- In case Renesas products listed in this document are detached from the products to which the Renesas products are attached or affixed, the risk of accident such as swallowing by infants and small children is very high. You should implement safety measures so that Renesas products may not be easily detached from your products. Renesas shall have no liability for damages arising out of such detachment.
- This document may not be reproduced or duplicated, in any form, in whole or in part, without prior written approval from Renesas.
- Please contact a Renesas sales office if you have any questions regarding the information contained in this document, Renesas semiconductor products, or if you have any other inquiries.



**RENESAS SALES OFFICES**

<http://www.renesas.com>

Renesas Technology America, Inc.  
450 Holger Way, San Jose, CA 95134-1368, U.S.A  
Tel: <1> (408) 382-7500 Fax: <1> (408) 382-7501

Renesas Technology Europe Limited.  
Dukes Meadow, Millboard Road, Bourne End, Buckinghamshire, SL8 5FH, United Kingdom  
Tel: <44> (1628) 585 100, Fax: <44> (1628) 585 900

Renesas Technology Europe GmbH  
Dornacher Str. 3, D-85622 Feldkirchen, Germany  
Tel: <49> (89) 380 70 0, Fax: <49> (89) 929 30 11

Renesas Technology Hong Kong Ltd.  
7/F, North Tower, World Finance Centre, Harbour City, Canton Road, Hong Kong  
Tel: <852> 2265-6688, Fax: <852> 2375-6836

Renesas Technology Taiwan Co., Ltd.  
FL 10, #99, Fu-Hsing N. Rd., Taipei, Taiwan  
Tel: <886> (2) 2715-2888, Fax: <886> (2) 2713-2999

Renesas Technology (Shanghai) Co., Ltd.  
26/F, Ruijin Building, No.205 Maoming Road (S), Shanghai 200020, China  
Tel: <86> (21) 6472-1001, Fax: <86> (21) 6415-2952

Renesas Technology Singapore Pte. Ltd.  
1, Harbour Front Avenue, #06-10, Keppel Bay Tower, Singapore 098632  
Tel: <65> 6213-0200, Fax: <65> 6278-8001

## Revision Record

Rev.	Date	Contents of Modification	Drawn by	Approved by
0.04	2005.01.26	First issue		
0.1.0	2006.02.20	Change PAD Arrangement, add Instruction List.		
0.10	2006.04. 03	<p>p.44 NW bit added (R02h)</p> <p>p. 53 PTG[1:0] 2'h1 changed to setting inhibited.</p> <p>p.59 VCL added to note 2 and 3.</p> <p>p.61 Setting of VREG1OUT added to Table 40.</p> <p>p.62 Description of VREG1 bit added.</p> <p>p.63 "5.5V or less" changed to "6.0V or less". (Note1 to Table 42)</p> <p>p.76 Table 51 6'h15 of NL[5:0] bits changed to 176 lines.</p> <p>p.81 VEQWI[1:0] bit added.</p> <p>p.85 EAD[1:0] bits added.</p> <p>p.86 Description of RA4h added.</p> <p>p.143 Description of line inversion AC drive added.</p> <p>p.149 (TBD)kHz changed to 376kHz.</p> <p>p.155 Table to Internal Oscillator deleted.</p> <p>p.161 Figure 78 added.</p> <p>p.163 "RF9h" deleted from Figure 80.</p> <p>p.166 "RF9h" deleted from Figure 83.</p> <p>pp.168-187 added.</p>		
0.11	2006. 05. 12	p.169, pp.172-177 Target speculation value filled in (except Step-up circuit output characteristics)		
0.12	2006.05.31	<p>p.7 Change VCOM adjustment bits (11 bits → 5 bits x 2 sets).</p> <p>p.8 Add VPP and delete note.</p> <p>p.15 Change the description of OSC1 and OSC2.</p> <p>p.17 Change the description of capacitor connection pins (C23±).</p> <p>p.18 3.0V → 4.0V (VREG1OUT)</p> <p>p.50 Change the table about VON.</p> <p>p.59 Add C13± (4'h1, 4'h4, 4'h6, 4'h9, 4'hC, and 4'hE), and delete C23± (4'h0 and 4'h8).</p> <p>p.62 VCM bits → VCM1 and VCM2 bits</p> <p>p.88 Delete Status Read.</p> <p>p.89 Change the initial state of VLOUT1 and VLOUT2, add VCI1, and delete the initial state of C21+, C22+, and C23</p> <p>p.157 2.5V → 4.0V (VREG1OUT), (DDVDH –</p>		

## R61505U

Rev.	Date	Contents of Modification	Drawn by	Approved by
		VREG1OUT) > 0.5V → (DDVDH – VREG1OUT) ≥ 0.5V p.161 Change VPP1 and VPP2, and the description of dummy data read and write data setting. p.164 Add notes. p.169 Delete Power Supply Voltage 6, and add Power Supply Voltage 8 to 11, and NVM write temperature. p.173 Change timing diagram of clock characteristics. p.175 80ns → 70ns (tCYCW), 50ns → 38ns (PW <sub>LW</sub> ) p.178 Delete Typ., and add Max (tdds and tddv).		
0.13	2006.06.01	p.9 Delete C23± from R61505U's capacitor connection pins. p.16 Change note 2, VPP2 value, "When not in use" of VPP1, VPP2, and VPP3.		
0.14	2006.06.02	p.9 Add VCL in R61505's capacitor connection pins, and change the description of R61505U's capacitor connection pins. p.18 Add "(VCILVL or VCIR)" in VREG1OUT. p.60 Change capacitor connection pins and VGL (max.), and add note 4.		
0.15	2006.07.18	p.7 Gate drive power supply: VGH-GND=10.0V~15.0V → VGH-GND=10.0V~20.0V, VGL-GND= -4.5V ~ -12.5V → VGL-GND= -4.5V ~ -13.5V p.8 Add "Internal reference voltage: to generate VREG1OUT (VCIR)". p.9 Table 1: NVM_FUSE → NVM, VGH 10.0V~15.0V → 10.0V ~ 20.0V VGL -4.5V~ -12.5V → -4.5V ~ -13.5V p.14 Change description to oscillator (8). VDH → DDVDH (liquid crystal drive circuit power supply circuit, 9) p.17 Open → Open or GND (VPP3: "When not in use" and NVM read) p.18 Add "Make sure to connect to stabilizing capacitor" to VCIOUT, VLOUT1, VLOUT2, VLOUT3 and VCL. p.19 Delete VDH from description of VREG1OUT. Add "Make sure to connect to stabilizing capacitor." to VCOMH and VCOML. p.21 TEST5 Delete " To stop the NVM operation, set the TEST5 pin to IOVCC level." p.61 VGH =15.0V (max.) → 20.0V (max) VGL = -12.5V (max) → -13.5V(max) p. 65 Error correction. (Description to VDV and Table 43) p.115 FPP + BPP = 16 → FPP + BPP ≤ 16 p.159 Figure 74: VGH 10.0V~15.0V → 10.0V ~ 20.0V,		

**R61505U**

<b>Rev.</b>	<b>Date</b>	<b>Contents of Modification</b>	<b>Drawn by</b>	<b>Approved by</b>
		VGL -4.5V ~ -12.5V → -4.5V ~ -13.5V p.162 29'h → 2A'h p.165 Figure 79: Error correction (Dummy access required → Dummy access is not required.) p.166 Figure 80: Add CALB=1. p.167 Figure 81: Error correction. p.171 Table 88: -0.3 ~ +13.0 → -0.3 → 14.0 (Power supply voltage 7) p.172 Table 89: Delete ""(Other than OSC1 pin)" (Input High level voltage, Input Low level voltage). V <sub>OH1</sub> → V <sub>OH</sub> , V <sub>OL1</sub> → V <sub>OL</sub> . p.175 Change AC characteristics (Table 93: t <sub>cyw</sub> 150ns → 125ns, P <sub>WLW</sub> 50ns → 45ns. p.176 Change AC characteristics (Table 94: t <sub>cyw</sub> 80ns → 75ns, P <sub>WLW</sub> 50ns → 40ns). p.177 Change AC characteristics (Table 95: P <sub>WLW</sub> 38ns → 30ns). p.181 Figure 86: Delete "DB17-0 (RGB interface (RM=1)) and "(80-system interface (RM=0))" p.187 Figure 91: "Data bus DB15-DB0" → "Data bus DB17-DB0" p.188 Figure 93: t <sub>WRr</sub> → t <sub>WRf</sub> , V <sub>IH</sub> → V <sub>OH</sub> , V <sub>IL</sub> → V <sub>OL</sub> . p.189 Figure 94: V <sub>OH1</sub> , V <sub>OL1</sub> → V <sub>OH</sub> , V <sub>OL</sub> p.190 Figure 97: S1-240 → S1-720		
0.1.6	2006.07.26	p.11 Figure 1: Change direction of arrow (VREG1OUT). p.21 AGND → IOGND (TSC) p.44 Delete row of "W" (R00h) p.50 Table 20: Source Output (S1-240) → Source Output (S1-720). p.51 Table 23: VCOML → GND p.57 9'h175 → 9'h15A, 9'h176 → 9'h15B, 9'h177 → 9'h1FF, 373 <sup>rd</sup> line → 346 line, 374 <sup>th</sup> line → 347 <sup>th</sup> line, 375 <sup>th</sup> line → Setting disabled. p.91 Delete "Oscillator: Oscillate". p.142 Table 82: Delete row of "Write mask function". p.149 Figure 65: 8'h000, 8'h013 → 9'h000, 9'h013 (Partial image 1 display RAM area), PTDP0=8'h028 → PTDP0=9'h028. p.152 Description changed. p.159 Figure 74: Delete voltage ranges. p.170 Figure 84: R07h: COL=2'h1 → COL=1'h1, COL=2'h0 → COL=1'h0		



**R61505U**

<b>Rev.</b>	<b>Date</b>	<b>Contents of Modification</b>	<b>Drawn by</b>	<b>Approved by</b>
		<p>p. 172 Table 89: AP=3'h3 → AP=2'h3 (Current consumption, RAM access mode 1)</p> <p>p.173 AP=3'h3 → AP=2'h3 (Current consumption, RAM access mode 2). AP=3'h3 → AP=2'h3, COL=2'h0 → COL=1'h0 (LCD Power Supply Current, 262-k color display operation). AP=3'h3 → AP=2'h3, COL=2'h1 → COL=1'h1 (LCD Power Supply Current, 8 color display operation).</p> <p>p.181 Figure 86: Change wiring.</p> <p>p.185 Figure 89: AP=3'h1 → AP=2'h3</p> <p>p.186 Figure 90: AP=3'h1 → AP=2'h3</p> <p>p.187 Figure 90: Load capacitance C25pF → 20pF</p>		
1.0	2006.09.13.	<p>p.8 Add product numbers.</p> <p>p.17 Delete Note 1 to VPP.</p> <p>p. 18 Error correction (VLOUT2= max, 15.0 → 20.0V, VLOUT3=min. -12.5 → -13.5V)</p> <p>p.50 Revise description of COL.</p> <p>p. 53 Table 26 Error correction.</p> <p>p. 57 Table 33 Error correction (FMP).</p> <p>p. 83 Delete VEQWI (R93h).</p> <p>p. 84 Error correction (Instruction List, R95h).</p> <p>p. 88 Change description of CALB.</p> <p>p. 90 Change Instruction List (Delete VEQWI, R93h).</p> <p>p. 108 Table 68 "11" Read instruction or RAM data → Read register settings or RAM data.</p> <p>p. 109 Figure 28 Delete "(d) Instruction Read".</p> <p>p. 120 Figure 38 Error correction.</p> <p>p. 152 Revise description of "Oscillator".</p> <p>p. 163 Revise Figure 77.</p> <p>p. 165 Inserted.</p> <p>p. 166 Figure 80: Error correction (NVM dummy read).</p> <p>p. 167 Revise Figure 81.</p> <p>p. 168 Insert "Notes on Power Supply ON sequence".</p> <p>p. 169 Revise Figure 83 (Display ON/OFF sequence).</p> <p>p. 171 Revise Figure 85 (Deep standby mode).</p> <p>p.172 Insert Figure 86 (Deep standby mode).</p> <p>p. 173 Insert Figure 87 (Deep standby mode).</p> <p>pp. 176-184 Revise Electrical characteristics.</p> <p>pp. 187-190 Graphs inserted.</p> <p>p. 190 Add Note 12</p>		

## R61505U

Rev.	Date	Contents of Modification	Drawn by	Approved by
1.1	2006/11/15	<p>p. 58 Insert R0Eh VCOM Low Power Control.</p> <p>p. 84 Add VEQWI (R93h).</p> <p>p.88 Change description of EOP (delete "and store write-in data to register).</p> <p>p. 89 Change description to CALB.</p> <p>p. 90 Delete R0E from setting disabled instructions.</p> <p>p.112 Calculation Example Frame frequency 60Hz → 65Hz Internal clock frequency (fosc) [Hz] = 60 Hz × (320 + 2 + 14) lines × 16 clocks × 1.1 / 0.9 = 394 kHz → Internal clock frequency (fosc) [Hz] = 65 Hz × (320 + 2 + 14) lines × 16 clocks × 1.07 / 0.93 = 402 kHz Minimum speed for RAM writing [Hz] &gt; 240x320 / {((14+320-2)lines x 16 clocks) x 1/394kHz} = 5.7MHz → 240x320 / {((14+320-2)lines x 16 clocks) x 1/402kHz} = 5.81MHz</p> <p>p. 113 Figure 31 (graph) RAM write 5.7MHz → 5.81MHz RC oscillation ±10% → ±7% 16.67 (60MHz) → 15.38 (65Hz)</p> <p>Figure 32 (graph) RAM write 5.7MHz → 5.81MHz RC oscillation ±10% → ±7% 16.67 (60MHz) → 15.38 (65Hz)</p> <p>p. 139 Calculation Example Frame frequency 60Hz → 65Hz Internal clock frequency (fosc) =60Hz x (320+2+14)lines x 16 clocks x 1.1/0.9 =349kHz → 65Hz x (320+2+14)lines x 16 clocks x 1.07/0.93 =402kHz Minimum speed for RAM writing [Hz] &gt; 240 x 320 / {((2+14 + 320- 2)lines x 16 clocks) x 1/ 394kHz} = 5.67MHz → 240 x 320 / {((2+14 + 320- 2)lines x 16 clocks) x 1/ 402kHz} = 5.81MHz</p> <p>Figure 55 (graph) RAM write 5.67MHz → 5.81MHz RC oscillation ±10% → ±7% RAM write 5.67MHz → 5.81MHz 13.54, 13.64 → 13.22 16.67 (60Hz) → 15.38(65Hz)</p> <p>p. 144 Window address area setting range Horizontal direction 8'00 ≤HSA≤HEA≤8'hEF → 8'00 ≤HSA&lt;HEA≤8'hEF Vertical direction 9'h000≤VSA≤VEA≤9'h13F → 9'h000≤VSA&lt;VEA≤9'h13F</p> <p>p. 168 Figure 81 Note 2 changed.</p> <p>p.169 Change Notes to power supply ON sequence.</p> <p>p. 170 Display ON sequence → Display OFF sequence (Display OFF sequence, 2<sup>nd</sup> box from bottom)</p>		

## R61505U

Rev.	Date	Contents of Modification	Drawn by	Approved by
		<p>p. 188 Figure 90 Change label on x-axis.</p> <p>p. 190 Figure 92 Error correction (tDD on y-axis → tdds)</p>		
1.21	2007/04/09	<p>p. 6 Description: "As moving picture interface" deleted.</p> <p>"Also, the R61505U incorporates step-up circuit and voltage follower circuit to generate TFT liquid crystal panel drive voltages." → "The power supply circuit incorporates step-up circuit and voltage follower circuit to generate TFT liquid crystal panel drive voltages."</p> <p>p. 8 Product Number: Oscillation Frequency → RC Oscillation Frequency</p> <p>p. 9 Table 1: VPP3: GND → VPP3A/ VPP3B: GND</p> <p>p. 10 Table 2, 3 BT[3:0] → BT[2:0], 4'h0 → 3'h0</p> <p>p. 11 Figure 1: 8bit serial → 8bit, Serial (System interface)</p> <p>p. 13 External Display Interface (RGB, VSYNC interface) "The R61505U allows switching interface by instruction according to the display, i.e. still and/or moving picture(s). The R61505U writes all display data via RGB interface to the internal GRAM in order to transfer data only when updating the data and thereby reduce the data transfer and power consumption for moving picture display." → "The R61505U allows switching interface by instruction according to the display, i.e. still and/or moving picture(s) in order to transfer data only when the data is updated and thereby reduce the data transfer and power consumption for moving picture display."</p> <p>p. 14 OSC: "Internal RC oscillator generates clock signal used to operate the R61505U." → "The R61505U generates the RC oscillation clock using internal RC oscillator."</p> <p>p. 17 Table 11: VPP3 → VPP3A/VPP3B, Open or GND → GND (VPP3A/VPP3B, EEPROM read), when not used: Open or GND → GND</p> <p>pp.24-38 Pad coordinates: Rev. 0.1 → Rev. 1.2.p. 24 No. 23 PROTECT → TEST3</p> <p>p. 43 I.2 "The R61505U starts internal processing after storing control information of <i>externally sent data</i> (16, 8, 1 bit(s)) in the instruction register (IR) and the data register (DR)." → "The R61505U starts internal processing after storing control information (16, 8, 1 bit(s)), <i>sent from the microcomputer</i>, in the instruction register (IR) and the data register (DR)."</p> <p>"When accessing the R61505U's internal RAM, data is processed in units of 18 bits" deleted.</p> <p>p. 45 NW bit: "When BC=1" → "When line inversion waveform is selected (BC0=1)"</p>		

## R61505U

Rev.	Date	Contents of Modification	Drawn by	Approved by
		BC bit "BC=0, BC=1" → "BC=0, BC0=1" (Error correction)		
		p. 48 Figure 3, 4: Revised.		
		p. 60 AP[1:0] → AP[2:0], Table 35 changed.		
		p. 61 BT[3:0] → BT[2:0], Table 37 changed. SAP[1:0] added.		
		p. 62 Note 2 to Table 38 added. Note to Table 39 deleted.		
		p. 63 Table 40, VC bit setting: 3'h2 Setting inhibited → 0.84 x VCILVL, 3'h4 0.76 x VCILVL → Setting inhibited, 3'h6 Setting inhibited → 0.7 x VCILVL. Added Note 3, 4 to Table 40.		
		p. 66 Description to PSE=0 deleted.		
		p. 67 Power Control 6: R19h inserted.		
		p. 70 Note to Table 46: (Vn+Vn+1)/2, (Vn+2Vn+1)/3 → (Vn+Vn+1)/2, (V1+2V0)/3 and (V30+2V31)/3		
		p. 71 Note to Table 71: (Vn+Vn+1)/2, (Vn+2Vn+1)/3 → (Vn+Vn+1)/2, (V1+2V0)/3 and (V30+2V31)/3		
		p. 72 "the first word read immediately after RAM address set is executed is taken in the internal read-data latch and invalid data is sent to the data bus." → "the first word read immediately after RAM address set is not outputted, so that it is invalid."		
		p. 78 Figure 7: HEA-HAS ≥ 8'h4 → 8'h04		
		p. 83 RTNI: Note to Table 55 added. DIVI: "Setting DIVI ≠ 2'h0 is inhibited.", note to Table 56 added.		
		p. 86 VEQWI Table 59: 3'h4 Setting inhibited → 4 clocks.		
		p. 87 DIVE Table 60: 8-bit, 3 transfers RGB interface → 6-bit, 3 transfers RGB interface		
		p. 92 Revised.		
		p. 93 Instruction List: Rev 1.1 → 1.2		
		p. 94 I.2 the MPU → the microcomputer		
		p. 99 "FMARK interface operation" added.		
		p. 117-120 "FMARK Interface" inserted.		
		p. 124 Figure 40, Note 3 to Figure 40: (DB5-0) deleted.		
		p. 127 Unused pins DB11-0 (DB17-6) → Unused pins DB11-0.		
		Figure 42: DB5-0, DB17-6 deleted. RIM 010, 110 → 10.		
		p. 128 Figure 43: DB5-0 deleted.		
		p. 136-140 (in rev 1.1, FMARK Function) deleted.		
		p. 139 Figure 53: Original image data size → Original image data		

## R61505U

---

Rev.	Date	Contents of Modification	Drawn by	Approved by
		p. 154 Note 1: "when using RC element" deleted.		
		p. 158 Figure 72: Shottky diode between VCI-VGH → DDVDH → VGH		
		p. 159 Figure 73: Shottky diode between VCI-VGH → DDVDH → VGH		
		p. 160 Table 87: VCI-VGH → DDVDH-VGH		
		p. 165 Figure 77: VPP3 → VPP3A/VPP3B		
		p. 169 Figure 81: RTNI, DIVI are added to Instruction Initial Setting. R19h TBT[1:0] = 2'h0 is added to LCD Power Supply ON Sequence. BT=3'h7 and VC= 3'h6 are added to Power supply user setting. Note 1 is added.		
		p. 171 Figure 82: Power supply user setting added.		
		p. 173 Figure 84 "User setting 1 NL, BP, FP, gamma, RTNI, DIVI setting, others" added next to Initial instruction setting.		
		p. 174 Figure 85 "User setting 1 NL, BP, FP, gamma, RTNI, DIVI setting, others" added next to Initial instruction setting.		
		p. 175 Figure 86 "User setting 1 NL, BP, FP, gamma, RTNI, DIVI setting, others" added next to Initial instruction setting.		
		p. 177 Table 91: Power Supply Voltage 11 VPP3 → VPP3A/VPP3B		

---