

Heatsink

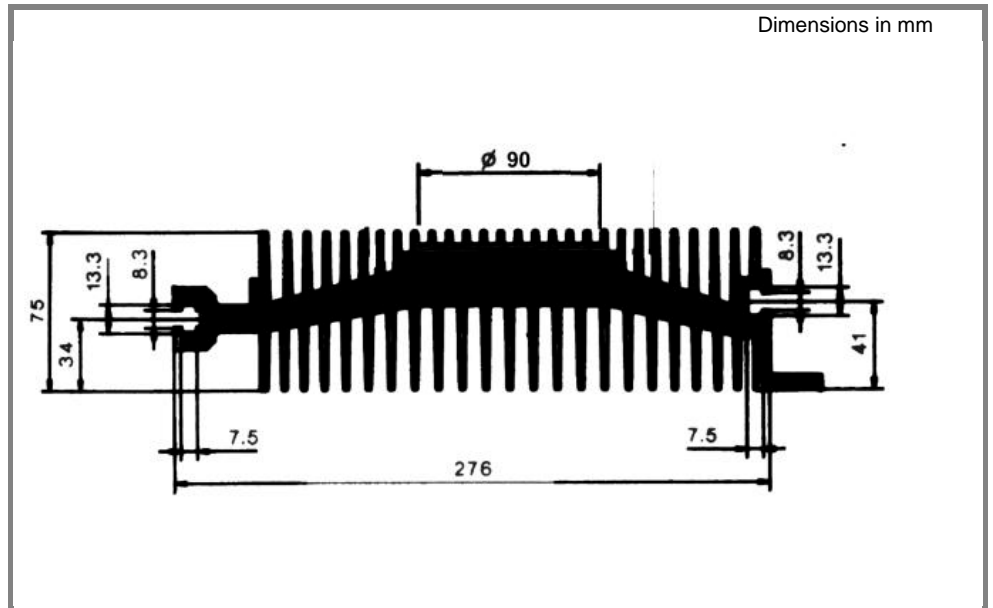
Standard lengths	n	b / d Ø mm	R_{thca}	$R_{thha} (V_{air})$	w kg
			natural cooling K/W	forced air cooling K/W	
2 x N4 / 250F		48 ± 2		0,045 (8 m/s)	12,6
		79 ± 2		0,037 (8 m/s)	
2 x N4 / 400F		63 ± 2		0,033 (8 m/s)	20,1
		79 ± 2		0,030 (8 m/s)	
STACK 2500 with N 4/250 (see fig.Appl.2)		48 ± 2		0,042	125
		63 ± 2		0,041	
		79 ± 2		0,040	

For capsule devices

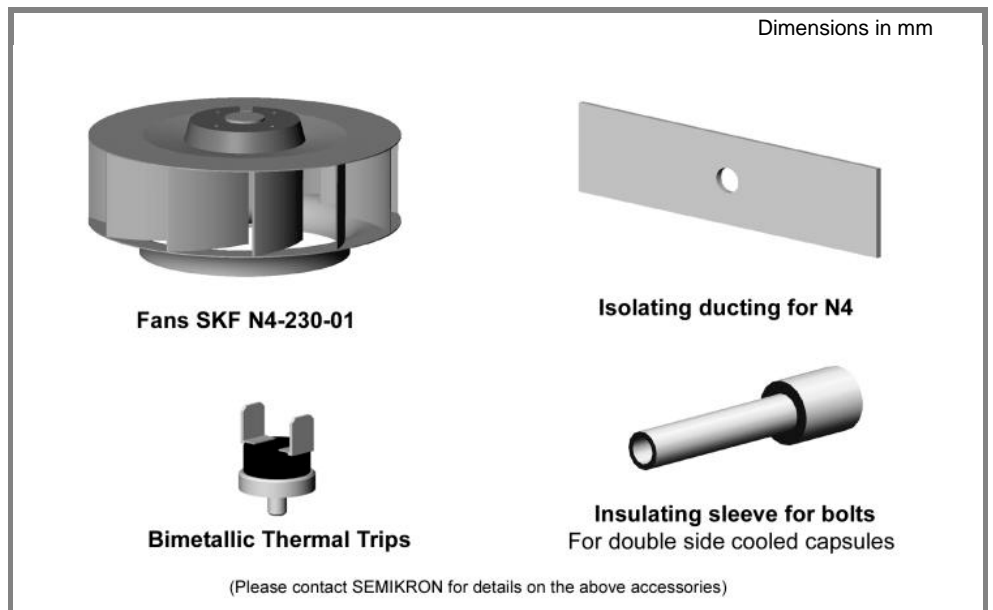
N 4

Features

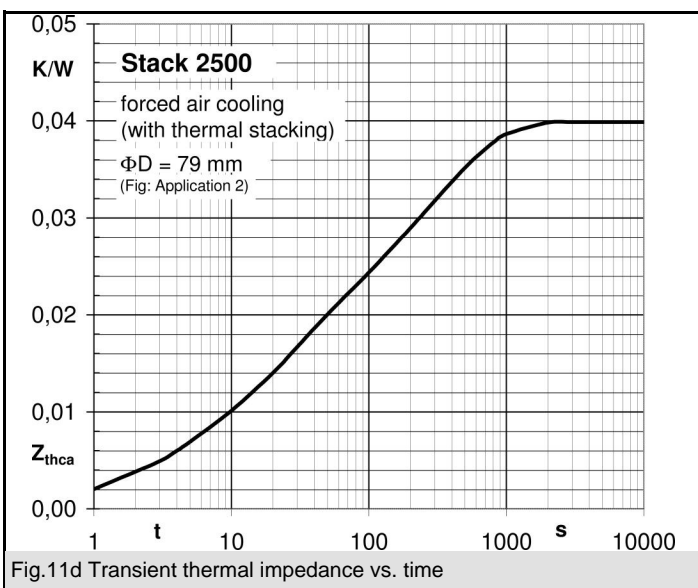
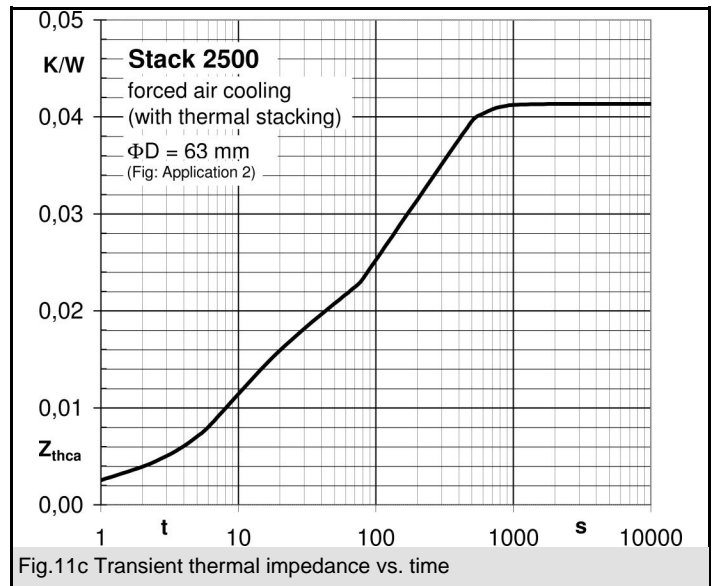
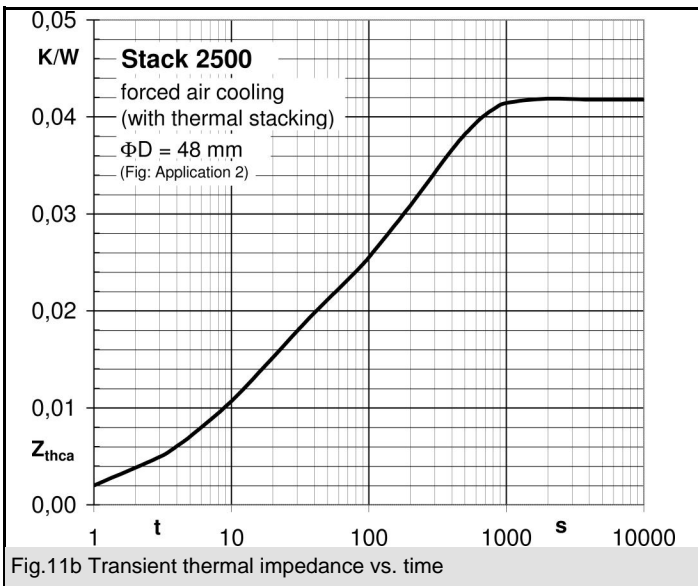
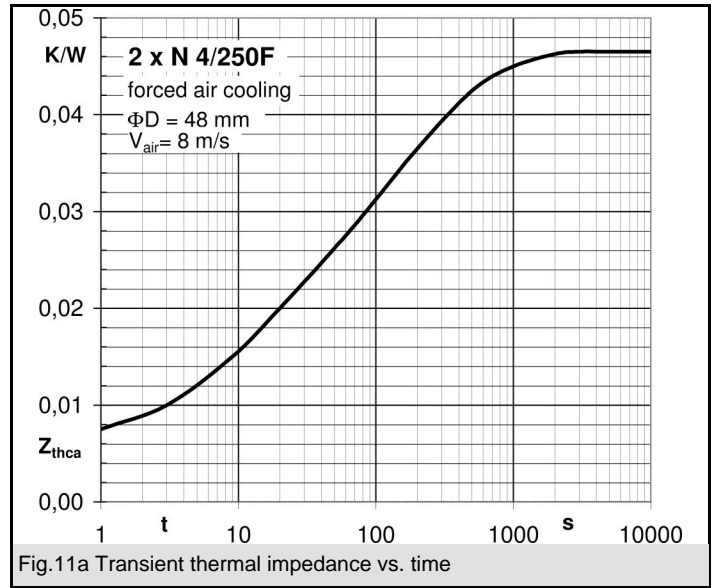
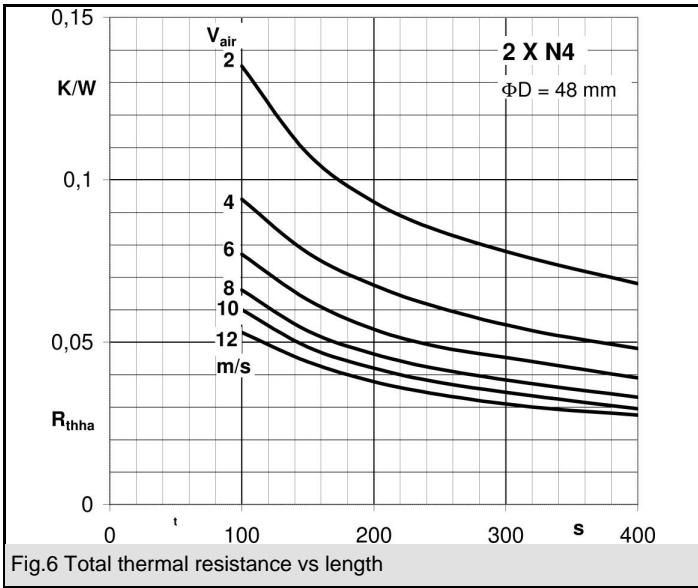
- Intended for double-sided cooling of capsule devices with diameters upto 79mm
- Designed for forced air cooling
- Available in various lengths



N4 general profile dimensions (w = 25,1 kg/m)

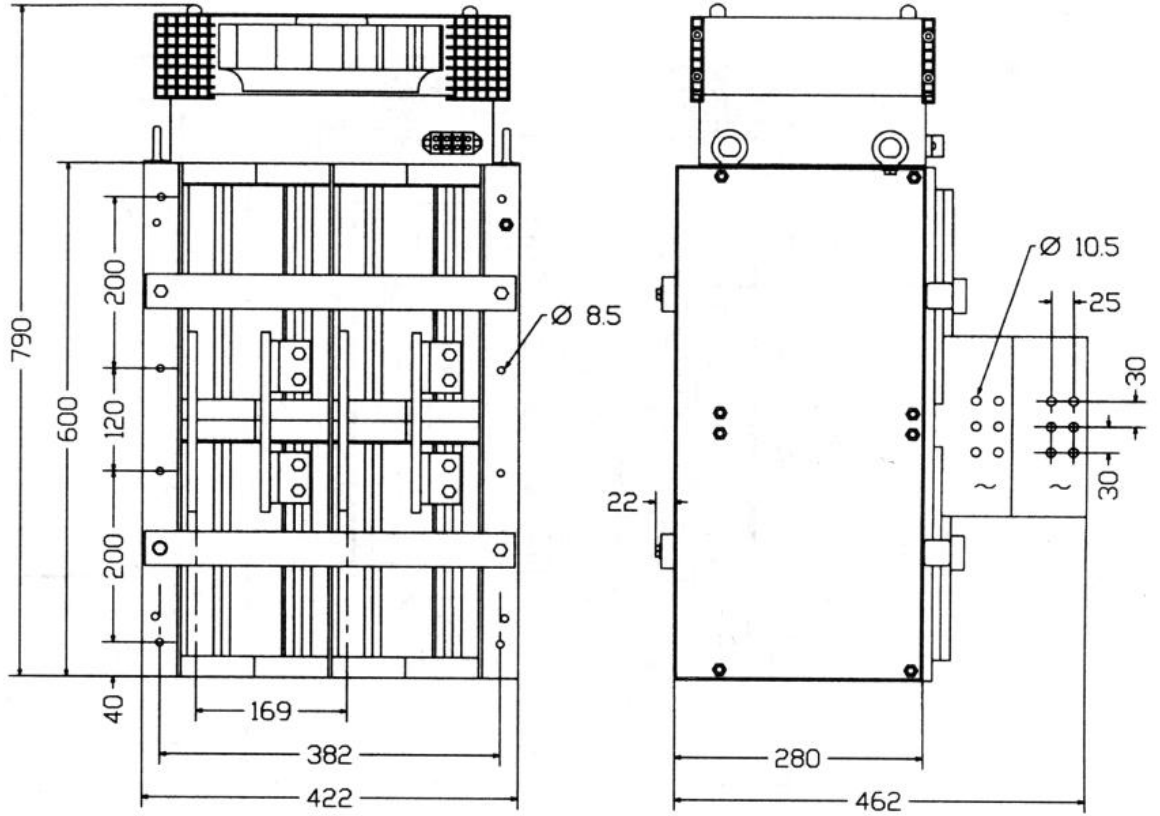


N 4 standard accessories



Dimensions in mm

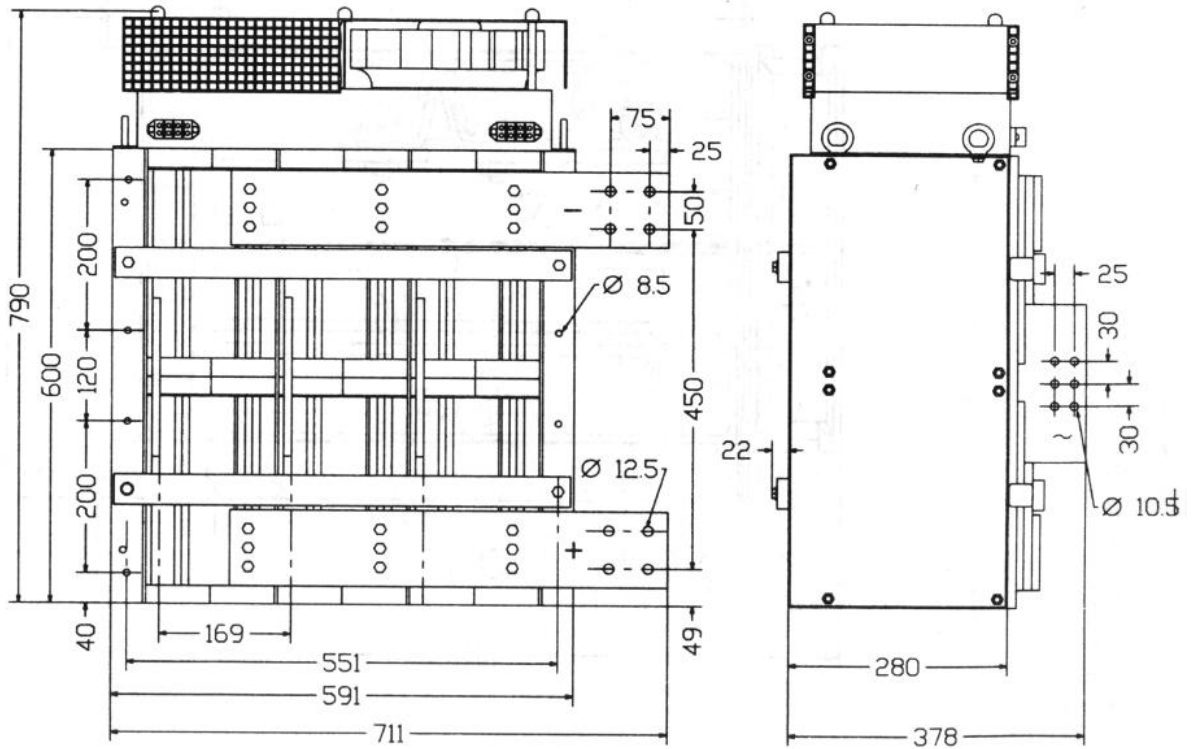
N4/250F



1. Application example using 4x heatsink N 4/250 to give a three phase AC controller

Dimensions in mm

N4/250F



2. Application example using 6x heatsink N 4/250 to give a three phase bridge rectifier stack (Stack 2500)