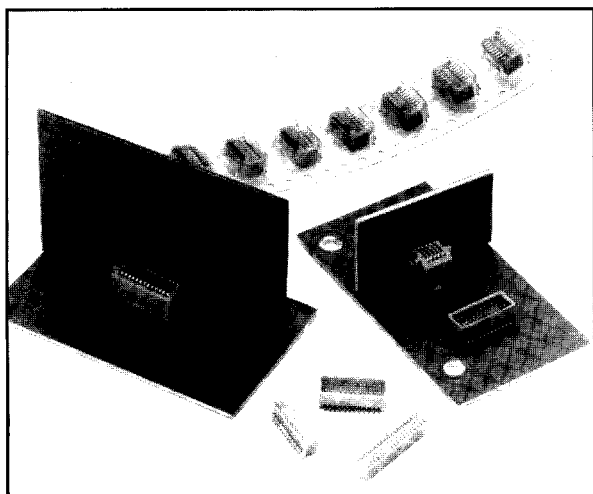


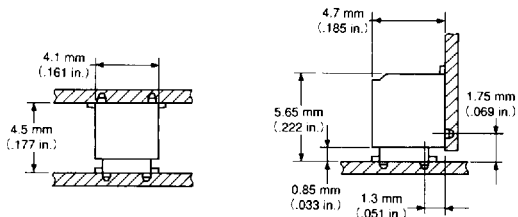
IL-WX SERIES CONNECTORS

0.8mm (.031") Contact Spacing, PCB-to-PCB SMT Connectors

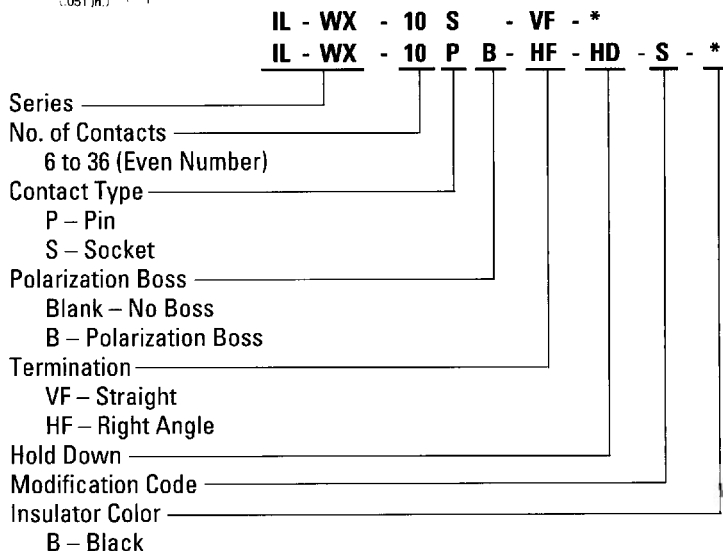


FEATURES

- Low profile, high-density contact arrangement
- Vertical and parallel connection of boards
- High heat resistant glass-filled PPS insulator
- Polarization boss/hold-downs
- Embossed tape: Available in embossed tape for automatic SMT mounting. Please consult JAE for further information



ORDERING INFORMATION



IL-WX Series connectors are designed for board-to-board applications. Designed with extremely small spacing, centers are on 0.8mm (.031") with double row contact arrangement. The connector features SMT contact configuration for automatic mounting. It is intended for use in portable appliances size reduction is important. Applications include 8mm and C cassette tape video movie cameras.

GENERAL SPECIFICATIONS

| | |
|---------------------------------|---------------------------------|
| Number of Contacts | 6 to 36 (double row) |
| Contact Spacing | 0.8mm (.031") |
| Current Rating | 0.5 Amps. |
| Dielectric Withstanding Voltage | 500 VAC r.m.s. (for one minute) |
| Insulation Resistance | 100 megohms min. |
| Contact Resistance | 25 milliohms max. |
| Operating Temperature Range | -40°C to +85°C |

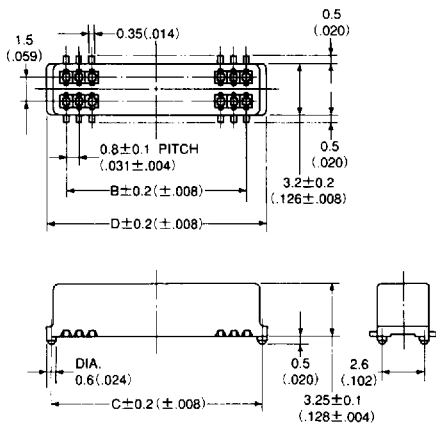
MATERIALS AND FINISHES

| Description | Materials/Finishes |
|----------------|-----------------------------------|
| Insulator | Glass-filled PPS (UL94V-0, Black) |
| Pin Contact | Copper alloy/Tin Plating |
| Socket Contact | Phosphor Bronze/Tin Plating |
| Hold-down | Phosphor Bronze/Tin Plating |

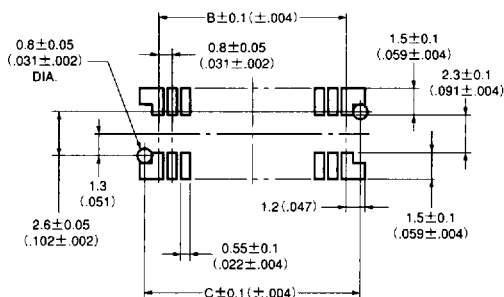
IL-WX SERIES CONNECTORS

0.8mm (.031") Contact Spacing, PCB-to-PCB SMT Connectors

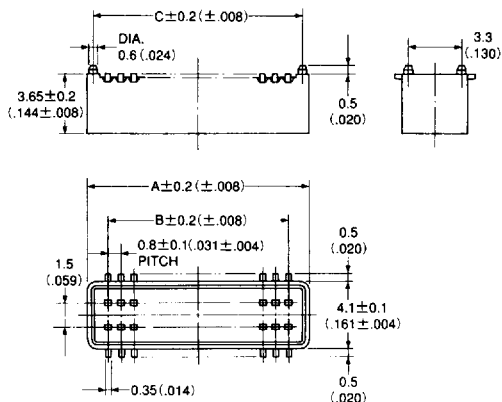
SOCKET



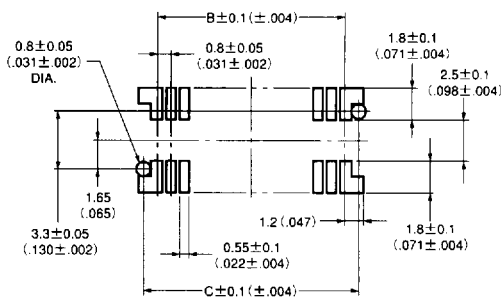
PCB Layout (Ref.)



STRAIGHT PIN HEADER



PCB Layout (Ref.)



| No. of Contacts | Part Number | | A | B | C | D |
|-----------------|-----------------|---------------------|-------------|-------------|-------------|-------------|
| | Socket | Straight Pin Header | | | | |
| 6 | IL-WX- 6S*-VF-B | IL-WX- 6PB-VF-B | 4.2 (.165) | 1.6 (.063) | 3.4 (.134) | 4.0 (.157) |
| 8 | IL-WX- 8S*-VF-B | IL-WX- 8PB-VF-B | 5.0 (.197) | 2.4 (.094) | 4.2 (.165) | 4.8 (.189) |
| 10 | IL-WX-10S*-VF-B | IL-WX-10PB-VF-B | 5.8 (.228) | 3.2 (.126) | 5.0 (.197) | 5.6 (.220) |
| 12 | IL-WX-12S*-VF-B | IL-WX-12PB-VF-B | 6.6 (.260) | 4.0 (.157) | 5.8 (.228) | 6.4 (.252) |
| 14 | IL-WX-14S*-VF-B | IL-WX-14PB-VF-B | 7.4 (.291) | 4.8 (.189) | 6.6 (.260) | 7.2 (.283) |
| 16 | IL-WX-16S*-VF-B | IL-WX-16PB-VF-B | 8.2 (.323) | 5.6 (.220) | 7.4 (.291) | 8.0 (.315) |
| 18 | IL-WX-18S*-VF-B | IL-WX-18PB-VF-B | 9.0 (.354) | 6.4 (.252) | 8.2 (.323) | 8.8 (.346) |
| 20 | IL-WX-20S*-VF-B | IL-WX-20PB-VF-B | 9.8 (.386) | 7.2 (.283) | 9.0 (.354) | 9.6 (.378) |
| 22 | IL-WX-22S*-VF-B | IL-WX-22PB-VF-B | 10.6 (.417) | 8.0 (.315) | 9.8 (.386) | 10.4 (.409) |
| 24 | IL-WX-24S*-VF-B | IL-WX-24PB-VF-B | 11.4 (.449) | 8.8 (.346) | 10.6 (.417) | 11.2 (.441) |
| 26 | IL-WX-26S*-VF-B | IL-WX-26PB-VF-B | 12.2 (.480) | 9.6 (.378) | 11.4 (.449) | 12.0 (.472) |
| 28 | IL-WX-28S*-VF-B | IL-WX-28PB-VF-B | 13.0 (.512) | 10.4 (.409) | 12.2 (.480) | 12.8 (.504) |
| 30 | IL-WX-30S*-VF-B | IL-WX-30PB-VF-B | 13.8 (.543) | 11.2 (.441) | 13.0 (.512) | 13.6 (.535) |
| 32 | IL-WX-32S*-VF-B | IL-WX-32PB-VF-B | 14.6 (.575) | 12.0 (.472) | 13.8 (.543) | 14.4 (.567) |
| 34 | IL-WX-34S*-VF-B | IL-WX-34PB-VF-B | 15.4 (.606) | 12.8 (.504) | 14.6 (.575) | 15.2 (.598) |
| 36 | IL-WX-36S*-VF-B | IL-WX-36PB-VF-B | 16.2 (.638) | 13.6 (.535) | 15.4 (.606) | 16.0 (.630) |

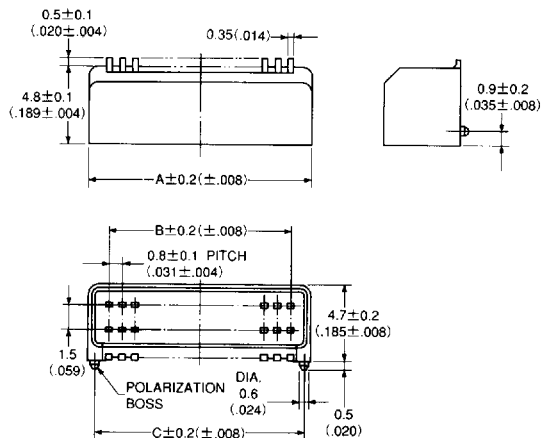
Note 1: *Add the polarization boss code. B—With boss, Blank—No boss

Note 2: Supplied in embossed-tape (Connector 1,000pcs./one reel). Add "-E1000" at the end of Part Number for an order entry.
Example - IL-WX-10PB-VF-B-E1000

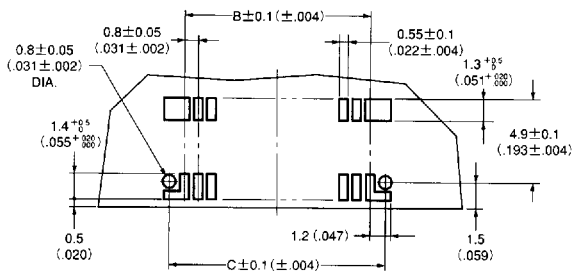
IL-WX SERIES CONNECTORS

0.8mm (.031") Contact Spacing, PCB-to-PCB SMT Connectors

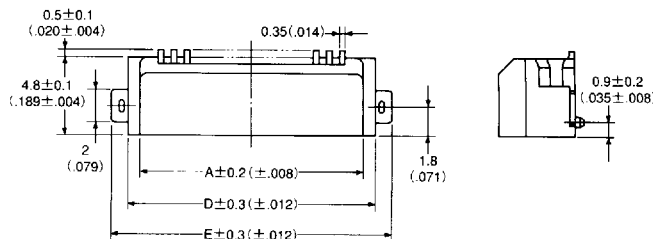
RIGHT ANGLE PIN HEADER



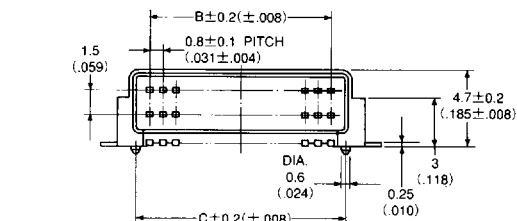
PCB Layout (Ref.)



With Hold-Downs Type



PCB Layout (Ref.)



| No. of Contacts | Part Number | | A | B | C | D | E |
|-----------------|-------------------|----------------------|-------------|-------------|-------------|-------------|-------------|
| | Without Hold-Down | With Hold-Down | | | | | |
| 6 | IL-WX- 6P*-HF-B | IL-WX- 6P*-HF-HD-S-B | 4.2 (.165) | 1.6 (.063) | 3.4 (.134) | 5.7 (.224) | 7.8 (.307) |
| 8 | IL-WX- 8P*-HF-B | IL-WX- 8P*-HF-HD-S-B | 5.0 (.197) | 2.4 (.094) | 4.2 (.165) | 6.5 (.256) | 8.6 (.339) |
| 10 | IL-WX-10P*-HF-B | IL-WX-10P*-HF-HD-S-B | 5.8 (.228) | 3.2 (.126) | 5.0 (.197) | 7.3 (.287) | 9.4 (.370) |
| 12 | IL-WX-12P*-HF-B | IL-WX-12P*-HF-HD-S-B | 6.6 (.260) | 4.0 (.157) | 5.8 (.228) | 8.1 (.319) | 10.2 (.402) |
| 14 | IL-WX-14P*-HF-B | IL-WX-14P*-HF-HD-S-B | 7.4 (.291) | 4.8 (.189) | 6.6 (.260) | 8.9 (.350) | 11.0 (.433) |
| 16 | IL-WX-16P*-HF-B | IL-WX-16P*-HF-HD-S-B | 8.2 (.323) | 5.6 (.220) | 7.4 (.291) | 9.7 (.382) | 11.8 (.465) |
| 18 | IL-WX-18P*-HF-B | IL-WX-18P*-HF-HD-S-B | 9.0 (.354) | 6.4 (.252) | 8.2 (.323) | 10.5 (.413) | 12.6 (.496) |
| 20 | IL-WX-20P*-HF-B | IL-WX-20P*-HF-HD-S-B | 9.8 (.386) | 7.2 (.283) | 9.0 (.354) | 11.3 (.445) | 13.4 (.528) |
| 22 | IL-WX-22P*-HF-B | IL-WX-22P*-HF-HD-S-B | 10.6 (.417) | 8.0 (.315) | 9.8 (.386) | 12.1 (.476) | 14.2 (.559) |
| 24 | IL-WX-24P*-HF-B | IL-WX-24P*-HF-HD-S-B | 11.4 (.449) | 8.8 (.346) | 10.6 (.417) | 12.9 (.508) | 15.0 (.591) |
| 26 | IL-WX-26P*-HF-B | IL-WX-26P*-HF-HD-S-B | 12.2 (.480) | 9.6 (.378) | 11.4 (.449) | 13.7 (.539) | 15.8 (.622) |
| 28 | IL-WX-28P*-HF-B | IL-WX-28P*-HF-HD-S-B | 13.0 (.512) | 10.4 (.409) | 12.2 (.480) | 14.5 (.571) | 16.6 (.654) |
| 30 | IL-WX-30P*-HF-B | IL-WX-30P*-HF-HD-S-B | 13.8 (.543) | 11.2 (.441) | 13.0 (.512) | 15.3 (.602) | 17.4 (.685) |
| 32 | IL-WX-32P*-HF-B | IL-WX-32P*-HF-HD-S-B | 14.6 (.575) | 12.0 (.472) | 13.8 (.543) | 16.1 (.634) | 18.2 (.717) |
| 34 | IL-WX-34P*-HF-B | IL-WX-34P*-HF-HD-S-B | 15.4 (.606) | 12.8 (.504) | 14.6 (.575) | 16.9 (.665) | 19.0 (.748) |
| 36 | IL-WX-36P*-HF-B | IL-WX-36P*-HF-HD-S-B | 16.2 (.638) | 13.6 (.535) | 15.4 (.606) | 17.7 (.697) | 19.8 (.780) |

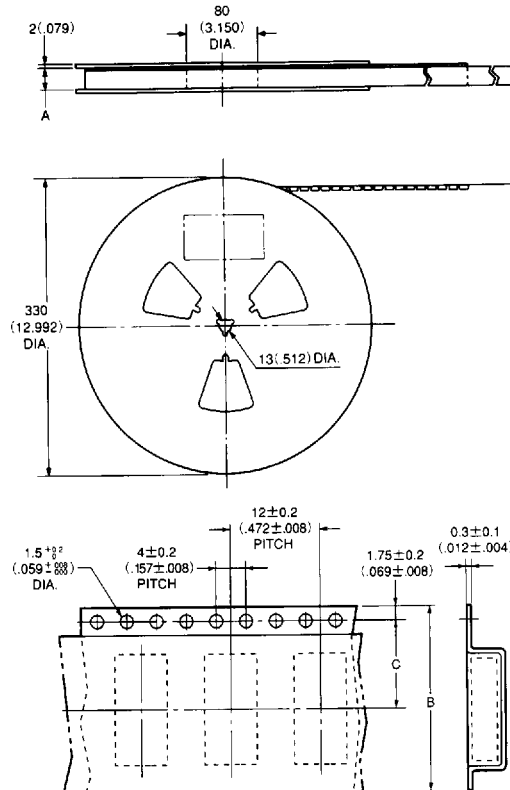
Note 1: *Add the polarization boss code. B—With boss, Blank—No boss

Note 2: Supplied in embossed-tape (Connector 1,000pcs./one reel). Add "-E1000" at the end of Part Number for an order entry.

Example - IL-WX-10PB-HF-B-E1000

IL-WX SERIES CONNECTORS**0.8mm (.031") Contact Spacing, PCB-to-PCB SMT Connectors****EMBOSSED TAPE (REF.)**

Please consult JAE for embossed tape specification.



| Part Number (1,000 pcs./reel) | No. of Contacts | A | B | C |
|--|--------------------|---------------|---------------|----------------|
| IL-WX-*S*-VF-B-E1000 IL-WX-*P*-VF-B-E1000 IL-WX-*P*-HF-B-E1000 | 6 to 20 | 18 (.709) | 16 (.630) | 7.5 (.295) |
| | 22 to 36 | 26 (1.042) | 24 (.945) | 11.5 (.453) |
| IL-WX-*P*-HF-HD-S-B-E1000 | 6 to 12 | 18 (.709) | 16 (.630) | 7.5 (.295) |
| | 14 to 32 | 26 (1.042) | 24 (.945) | 11.5 (.453) |
| | 34, 36 (Note) | 34 (1.339) | 32 (1.260) | 14.2 (.559) |

Note: Pilot holes are provided on both sides. Please consult JAE.