

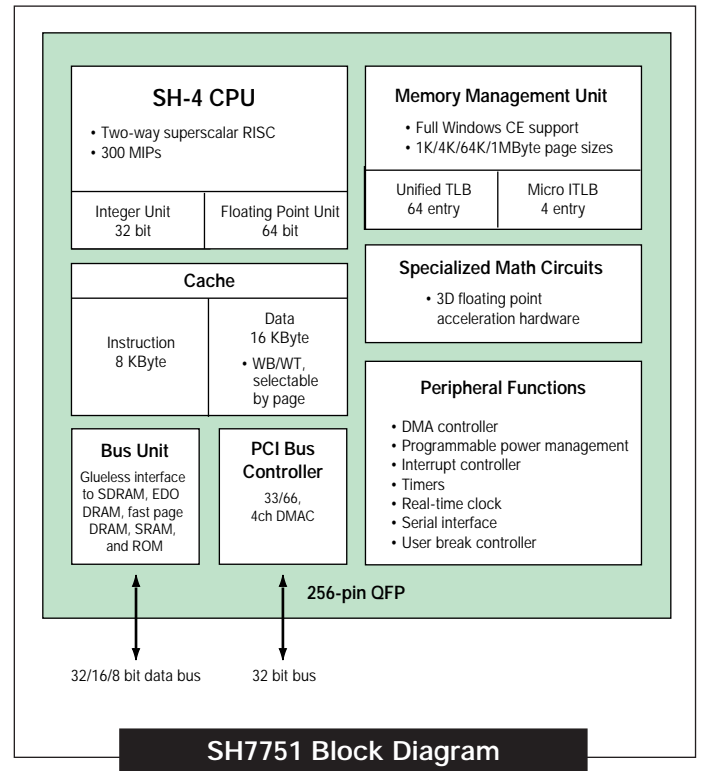
Description

The SH775x (SH-4) series is a high-performance, well integrated, cost-effective, 2-issue superscalar RISC microprocessor for embedded applications. The SH775x series delivers best-in-class performance, on-chip integration and code size, with excellent low power consumption, support tools and chipsets from Hitachi and third party vendors, as well as a migration path to higher performance and lower power. This complete package makes the SH775x series the optimal choice for use in data processing, communications, industrial, transportation and high-end consumer applications.

The SH775x series' 3D graphics capability (arithmetic accelerator) combines with the 100MHz, 64-bit external bus to deliver 800MB/s data throughput for workstation-class performance at an affordable price. Several operating systems and middleware applications run on the processors, with more in development.

Features

- General
 - Up to 200 MHz/360 MIPS
 - 16 x 32-bit general purpose registers
- CPU
 - Code compatible with SH-3 series
 - 16 x 32-bit general purpose registers
 - 32 x 32-bit single-precision floating point registers or 16 x 64-bit double-precision floating point registers or 4 x 128-bit single-precision vector registers and register matrix
 - 16-bit fixed instruction length for high code density
 - 32 x 32 + 64 → 64 bits multiply-accumulate unit for special functions such as software modems
 - MMU Designed for Windows[®]CE 1KB, 4KB, 64KB, and 1MB page sizes, 64-entry, fully associative TLB for instructions and operands
 - 4 entry, fully associative TLB for instructions
 - 5 stage pipeline
- Memory
 - On-chip cache, 8KB instruction and 16KB data
 - Write back or write through, selectable by page
 - Low voltage cache to reduce power consumption
 - On-chip bus state controller allows direct connection to DRAM, SDRAM, SRAM, ROM, and Flash ROM
 - 8, 16, 32, or 64-bit data bus support
- PCI Bus Controller
 - 32-bit PCI bus controller (Rev 2.1)
 - 33/66MHz operation
 - Host/Slave mode support
 - Supports up to 4 channels @ 33MHz, 1 channel @ 66MHz



- Operation clock
 - Choose from internal clock or external clock (with divider)
- Dedicated 4-channel PCI DMAC
 - PCI to/from memory located on SuperH bus (Bus arbitration capability between DMAC on PCI bus and SuperH bus)
 - On-chip FIFO enables fast data transfer
- Peripherals
 - DMA, 4 channels
 - Timers, 3 channels x 32-bits
 - Watchdog timer
 - Realtime clock
 - PCMCIA control logic
 - Serial communications interface, 1 channel (asynchronous/synchronous, with smart card interface)
 - Serial communication interface 1 channel (asynchronous, with 16 byte transmit and receive FIFOs)
 - PLL with x1/8, x1/6, x1/4, x1/2, x3/4, x1, x3/2, x2, x3, x6 external clock capability
 - Interrupt controller
- General purpose I/O, 16 lines
- Dynamic power control
 - Low power modes: sleep and standby
 - Peripheral turn off capability
- User break controller for on-chip debugging

Support

Hardware:

- Hitachi E10A emulator (HS7750KCM01H - PCMCIA Interface)
- Hitachi D9000 development platform for SH7750 and Windows[®]CE

Software:

- Hitachi:
 - C, C++ compiler, assembler, simulator/debugger
- Third parties:
 - C, C++ compiler, assembler, simulator/debugger, Cygnus Support (gnu), Green Hills Software, Microsoft[®] VC++ for WindowsCE

Operating Systems:

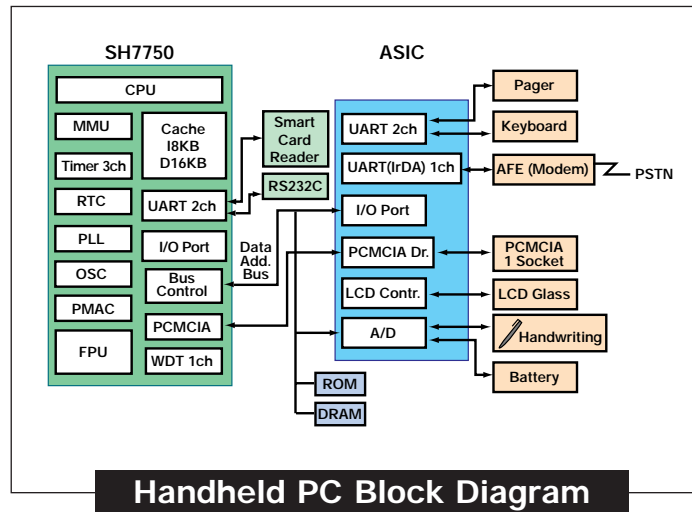
- WindowsCE, Hitachi OS, Wind River

Middleware

- V.90 (up to 56 Kbps) Data/FAX software modem
- Voice recognition
- Voice compression
- Handwriting recognition
- JPEG video compression
- Image compression for FAX: MH, MR, MMR

Complete SH-4 documentation is available at <http://semiconductor.hitachi.com>

This document may be subject to change without notice.



SH-4 Comparison Table and Ordering Information

	SH7750	SH7750V	SH7751	SH7751V
Architecture	32b/2-way	32b/2-way	32b/2-way	32b/2-way
Cache (I+D)	8K + 16K	8K + 16K	8K + 16K	8K + 16K
Instruction	16b	16b	16b	16b
Registers	32b * 16w	32b * 16w	32b * 16w	32b * 16w
Memory-Bus	64b	64b	32b	32b
Peripherals	(All devices) MMU, DMAC, Timer, SCI, RTC, JTAG, Glueless Memory			
PCI-interface	---	---	33/66MHz	33/66MHz
I/O Voltage (V)	3.3	3.3	3.3	3.3
Voltage (V)	1.8	1.5	1.8	1.5
Freq. (MHz)	167/200	128	167	133
MIPS (Dhrystone)	360	230	300	240
Peak GFLOPS	1.4	0.9	1.2	0.9
Typ. Power (mW)	900	400	400	240
Sleep Power (mW)	150	75	100	50
Standby Cur. (µA)	50	50	50	50
MIPS/W	400	575	750	1000
Package	208-QFP/ 256-BGA	208-QFP	256-QFP	256-QFP
Part No.	HD6417750F167/ HD6417750BP200	HD6417750VF128	HD6417751F167	HD6417751VF133

Contacts

<http://semiconductor.hitachi.com>

U.S. Headquarters

179 East Tasman Drive, San Jose, CA 95134

<http://semiconductor.hitachi.com>

To order literature: (800) 285-1601 Fax: (303) 297-0447

Distributors

Avnet EMG(800) 332-8638
 Insight Electronics(800) 677-7716
 Marshall Industries(800) 522-0084
 Repron Electronics(800) 800-5441
 Sterling Electronics(800) 745-5500

Area Offices

Western
 1740 Technology Drive
 Suite 500
 San Jose, CA 95110
 (408) 451-9570

Central
 wo Lincoln Centre
 Suite 1446
 5420 LBJ Freeway
 Dallas, TX 75240
 (972) 991-4510

Eastern
 25 Mall Road
 Burlington, MA 01803
 (781) 229-2150

Regional/District Sales Offices

Irvine
 2030 Main Street
 Suite 450
 Irvine, CA 92614
 (714) 553-8500

San Diego
 8885 Rio San Diego Drive
 Suite 310
 San Diego, CA 92108
 (619) 299-9944

Dearborn
 Fairlane Plaza North
 Suite 311
 290 Town Center Drive
 Dearborn, MI 48126
 (313) 271-4410

Itasca
 500 Park Boulevard
 Suite 415
 Itasca, IL 60143
 (630) 773-4864

Austin
 6907 Capitol of Texas
 Highway, Suite 210
 Austin, TX 78731
 (512) 418-9360

Raleigh
 5511 Capitol Center Drive
 Suite 204
 Raleigh, NC 27606
 (919) 233-0800

Florham Park
 325 Columbia Turnpike
 Suite 203
 Florham Park, NJ 07932
 (973) 514-2100

Fishkill
 21 Old Main Street
 Suite 206
 Fishkill, NY 12524
 (914) 897-3000

Ottawa
 320 March Road
 Suite 602
 Kanata, Ontario,
 Canada K2K2E3
 (613) 591-1990

Toronto
 6740 Campobello Road
 Mississauga, Ontario
 Canada L5N 2L8
 (905) 826-1363

Calgary
 10655 Southport Road
 Southwest, Suite 460
 Calgary, Alberta
 Canada T2W4Y1
 (403) 278-1881