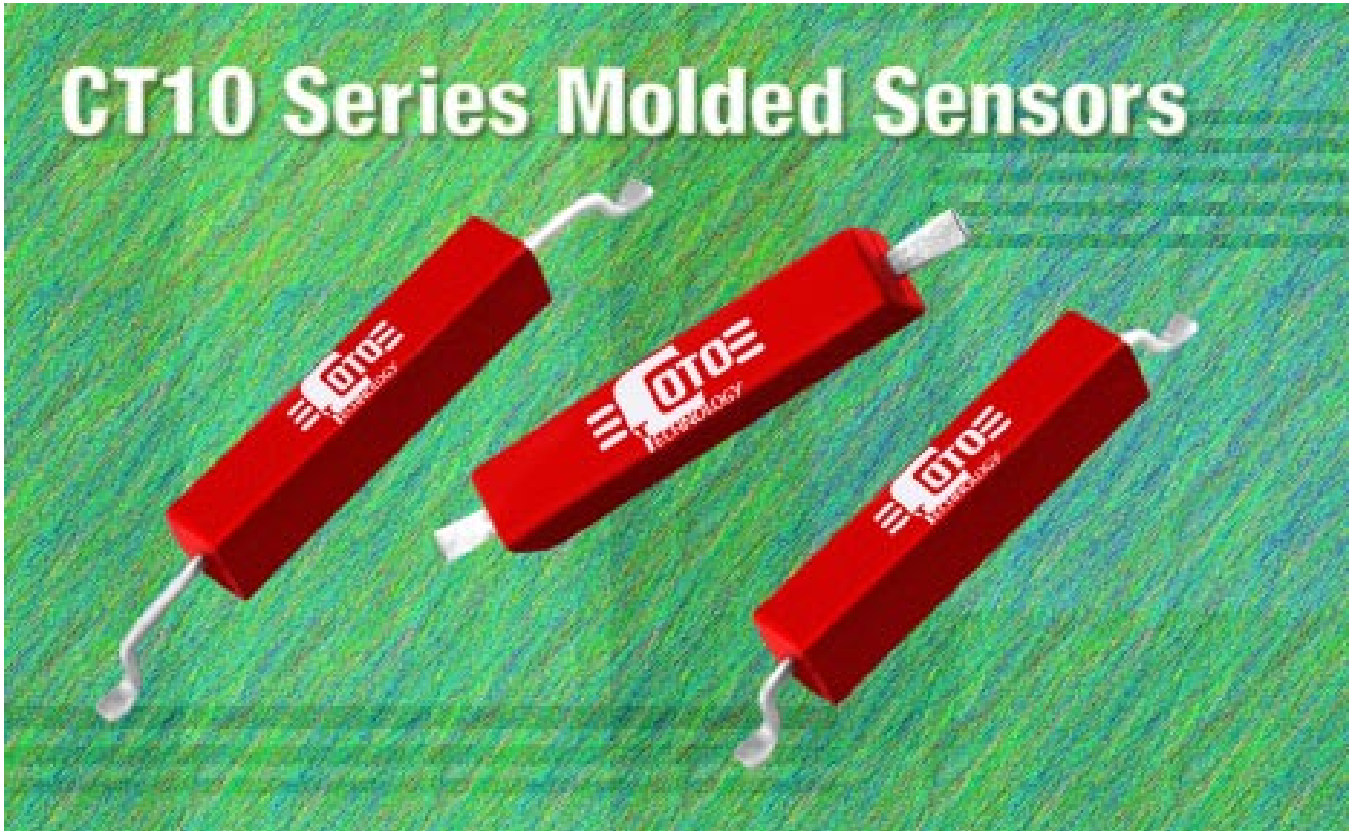


# CT10 Series Molded Sensors



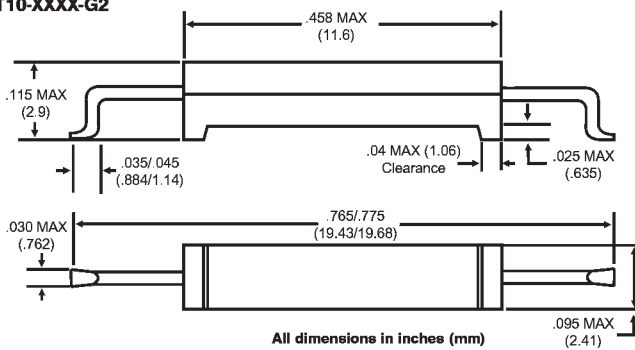
## CT10 SERIES MOLDED SENSORS

The CT10 series is a reed-based proximity sensor activated by the presence of a magnetic field. It is designed for SMD mounting.

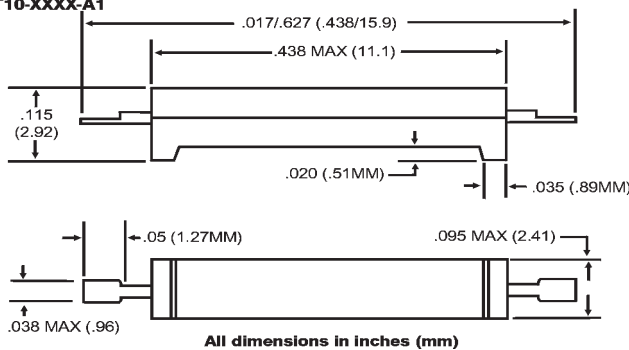
## SERIES FEATURES

- Ideal for SMD pick-and-place
- Rugged encapsulation
- Excellent lifetime and reliability
- Gold and sputtered ruthenium contact layers
- Tape and Reel packaging
- Sample applications include laptop covers, security system sensors, electric gas metering, fluid flow sensors, and level sensors

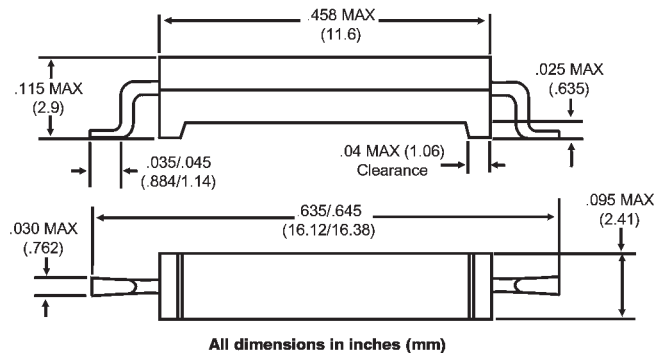
**CT10-XXXX-G2**



**CT10-XXXX-A1**



**CT10-XXXX-G1**

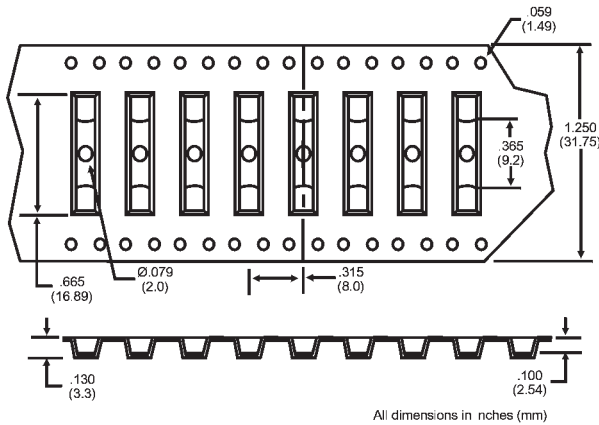


# CT10 SERIES MOLDED SENSORS

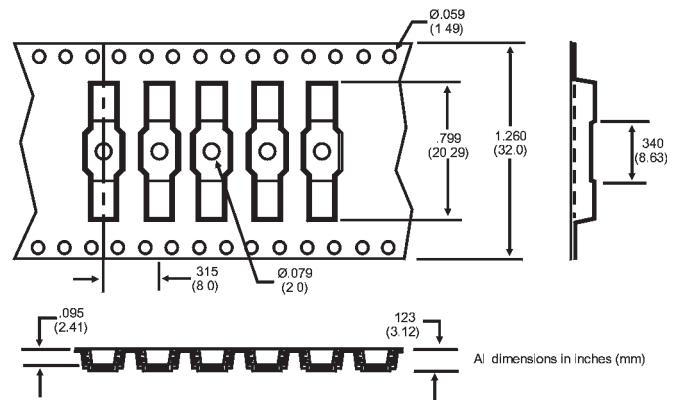
Electrical Characteristics				
Parameters	Units	CT10-XXXX-G1	CT10-XXXX-G2	CT10-XXXX-A1
Operate Range *	AT	10-40	10-30	10-40
Release Range *	AT	n.d.	n.d.	n.d.
Switched Power (max)	VA	10	10	10
Switched Current (max)	mA	500	500	500
Switched Voltage (max)	VDC	200	200	200
Switched Voltage (max)	VAC	140	140	140
Breakdown Voltage (min)	VDC	230	230	230
Contact Resistance (max)	mΩ	115	115	115
Insulation Resistance (min)	MΩ	1 x 10 <sup>6</sup>	1 x 10 <sup>6</sup>	1 x 10 <sup>6</sup>

\*Measured in 10jk coil after Modification

## TAPE & REEL



CT10-XXXX-G1 / CT10-XXXX-A1



CT10-XXXX-G2

## Ordering Information

CTXX-XXXX-XX

Coto Technology

### Raw Switch Glass

Length (rounded down to the next whole mm)

### Lower AT Value

(after mold and lead form)

### Upper AT Value

(after mold and lead form)

### Lead Configuration Subset:

For Gull wing:

- 1 - 0.640" overall length
- 2 - 0.770" overall length

For Axial:

- 1 - 0.622" overall length

### Lead Configuration:

- G - Gull wing
- A - Axial

USA

55 DuPont Drive • Providence RI 02907 USA  
401-943-COTO (2686) • FAX: 401-942-0920

The Netherlands

Jan Campertstraat 5 • 6416 SG Heerlen  
Tel: +31 45 5439345 • FAX: +31 45 5427216