

**PLEASE CHECK WWW.MOLEX.COM FOR LATEST PART INFORMATION**

**Part Number:** [0512382012](#)  
**Status:** **Active**  
**Description:** CRC™ Shielded Rectangular I/O Receptacle Housing for Female Terminal, Signal, 20 Circuits, Polarization Type A, Polarization Position B-2

**Documents:**

[Drawing \(PDF\)](#) [Product Specification PS-51238-018 \(PDF\)](#)  
[Product Specification PS-51238-010 \(PDF\)](#) [RoHS Certificate of Compliance \(PDF\)](#)

**Agency Certification**

CSA	LR19980
TUV	R72081037
UL	E29179

**General**

Product Family	I/O Connectors
Series	51238
Application	Panel-Mount, Wire-to-Wire
Component Type	Housing
Product Name	CRC™
Type	N/A

**Physical**

Boot Color	N/A
Circuits (Loaded)	N/A
Circuits (maximum)	20
Color - Resin	Black
Durability (mating cycles max)	100
Flammability	94V-0
Gender	Receptacle
Keying to Mating Part	Yes
Lock to Mating Part	Yes
Material - Metal	Stainless Steel
Material - Plating Mating	n/a
Material - Resin	Polyester
Number of Rows	5
Orientation	Vertical
PCB Locator	No
Packaging Type	Tray
Panel Mount	Front, Rear
Pitch - Mating Interface (in)	0.118 In
Pitch - Mating Interface (mm)	3.00 mm
Pitch - Term. Interface (in)	0.118 In
Pitch - Term. Interface (mm)	3.00 mm
Polarized to Mating Part	Yes
Polarized to PCB	N/A
Ports	1
Surface Mount Compatible (SMC)	N/A
Temperature Range - Operating	-40°C to +105°C
Termination Interface: Style	N/A
Waterproof / Dustproof	No

**Electrical**

Current - Maximum per Contact	1A, 2A, 3.5A, 3A
Shielded	No
Voltage - Maximum	250V AC (RMS)/DC



*image - Reference only*

**EU RoHS**

**ELV and RoHS Compliant**  
**REACH SVHC Contains SVHC: No**  
**Halogen-Free Status**  
**Not Reviewed**

**China RoHS**



**Need more information on product environmental compliance?**

Email [productcompliance@molex.com](mailto:productcompliance@molex.com)  
 For a multiple part number RoHS Certificate of Compliance, [click here](#)

Please visit the [Contact Us](#) section for any non-product compliance questions.

**Search Parts in this Series**

51238Series

**Mates With**

51234-200X plug housing|55836-200X plug assembly set

**Use With**

56377-200\* receptacle shell|56120 and 56121 female terminal

**Material Info**

**Reference - Drawing Numbers**

Product Specification

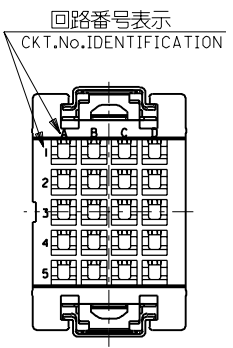
Sales Drawing

PS-51238-010, PS-51238-018, RPS-51238-001

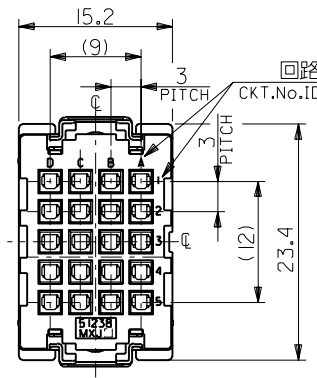
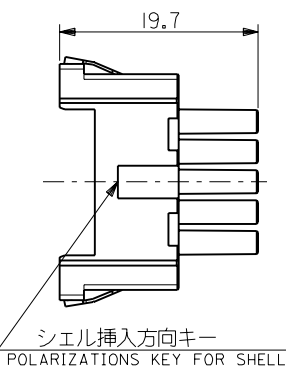
SD-51238-008

This document was generated on 04/12/2010

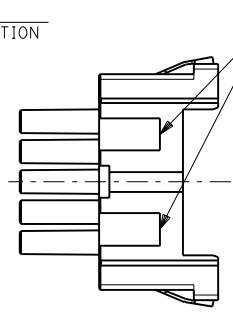
**PLEASE CHECK [WWW.MOLEX.COM](http://WWW.MOLEX.COM) FOR LATEST PART INFORMATION**



電線挿入側  
WIRE SIDE



嵌合側  
MATING SIDE



注記  
NOTES

- 材質  
MATERIAL  
①ハウジング：ガラス入りPBT樹脂  
HOUSING : PBT G.F.  
UL94V-0 色：黒  
UL94V-0 COLOR : BLACK  
②スプリング：ステンレス鋼 t0.3  
SPRING : STAINLESS STEEL t0.3
- 適用端子：56120-8\*90 , 56121-8\*90  
APPLICABLE CRIMP PIN : 56120-8\*90 , 56121-8\*90
- 適用リセプタクル シエル：56377-20\*\*  
APPLICABLE RECEPTACLE SHELL : 56377-20\*\*
- 嵌合相手：51234-200\*  
MEET WITH : 51234-200\*

<誤嵌合防止キー（極性）タイプ> <POLARITY KEY TYPE>

51238-2011	51238-2012	51238-2013	51238-2014	51238-2015
STANDARD TYPE	A TYPE	B TYPE	C TYPE	D TYPE

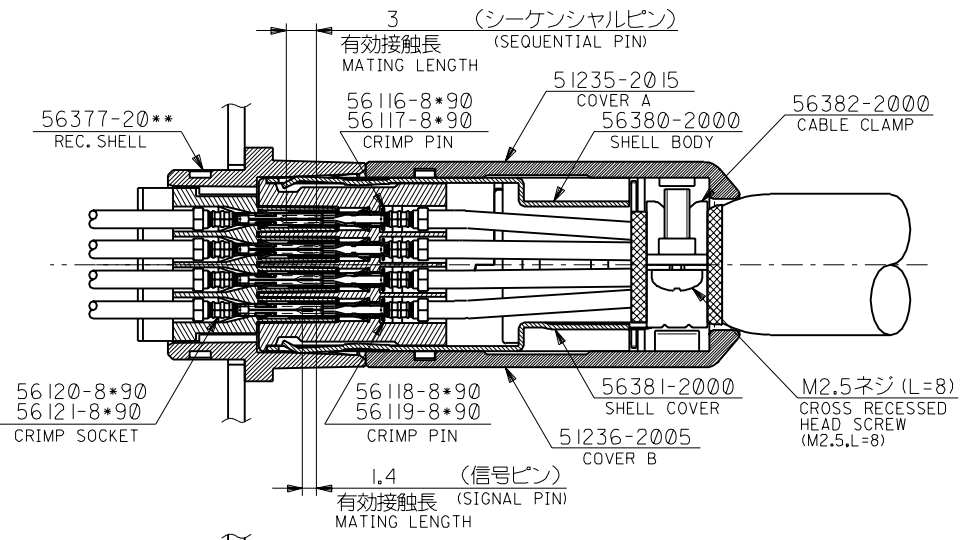
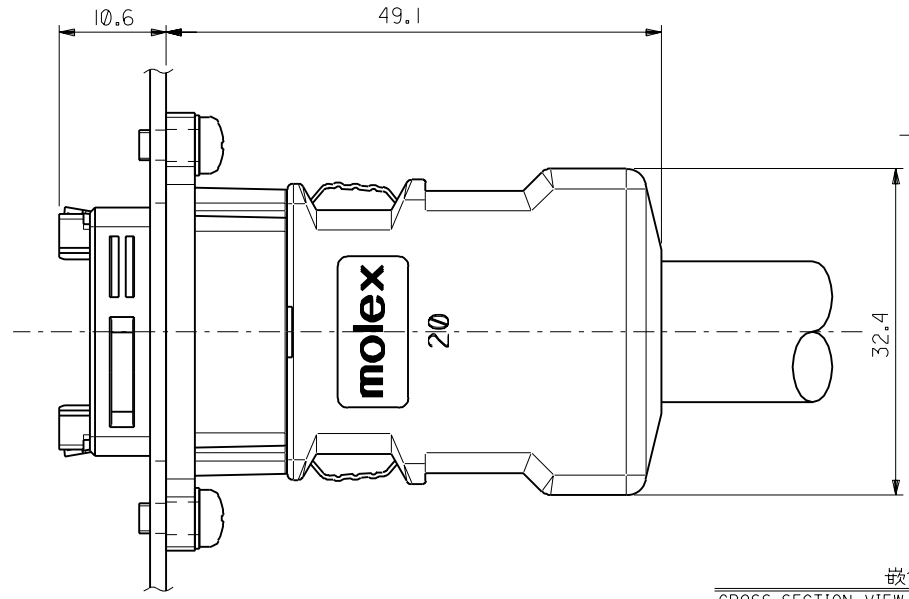
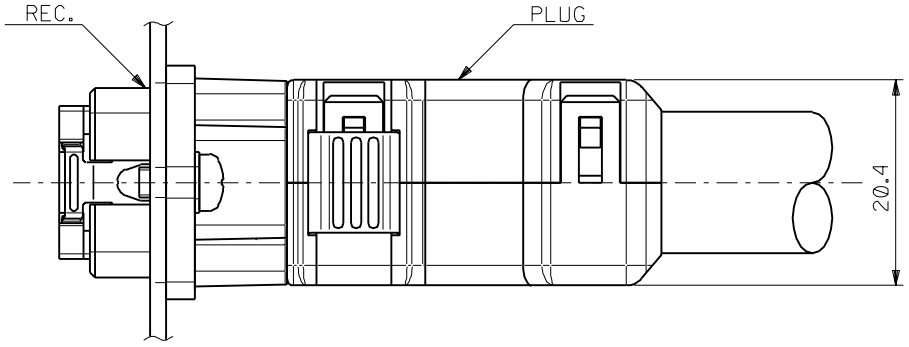
C-4	D	51238-2015	51238-***1*	20
C-3	C	51238-2014		
B-3	B	51238-2013		
B-2	A	51238-2012		
—	STANDARD	51238-2011		
POLARITY POSITION (CIRCUIT No.)	POLARITY TYPE	MATERIAL No.	MODEL No.	CIRCUIT

DO NOT SCALE DRAWING

EC NO. DRWN: CHK: APPR:	EC NO. DRWN: CHK: APPR:	EC NO. DRWN: CHK: APPR:	REVISED 01/10/04 EC NO. J2002-0786 DRWN: S.AKIYAMA CHK: J.MIYAZAWA APPR: YO.ITO	RELEASED 01/02/16 EC NO. JD2001-1040 DRWN: S.AKIYAMA CHK: J.MIYAZAWA APPR: H.IKESUGI	MATERIAL 材料 注記参照 SEE NOTES	GENERAL TOLERANCES: (UNLESS SPECIFIED) 一般公差	SCALE 2-1 DESIGN UNITS <input checked="" type="checkbox"/> mm <input type="checkbox"/> INCH	THIRD ANGLE PROJECTION <input type="checkbox"/> mm INCH <input checked="" type="checkbox"/> mm ONLY	SHT REVISE ON CAD ONLY	REV
			A	0	DESCRIPTION 仕上げ —	10 UNDER 未満 ±0.2 10 OVER 以上 30 UNDER 未満 ±0.25 30 OVER 以上 ±0.3	DRAWN BY & DATE S. Akiyama 1/01/25 CHECKED BY & DATE J. Miyazawa / Y. Ito APPROVED BY & DATE Yo. Ito	TITLE: COMPACT ROBOT CONN. (CRC) REC. SOCKET HS'G ASS'Y		
					WIRE RANGE 適用電線範囲 —	ANGLE 角度 ±3°	CAD FILE NAME 51238008.S01	MATERIAL NO. SEE CHART	DRAWING NO. SD-51238-008	SHEET NO. 1 OF 4

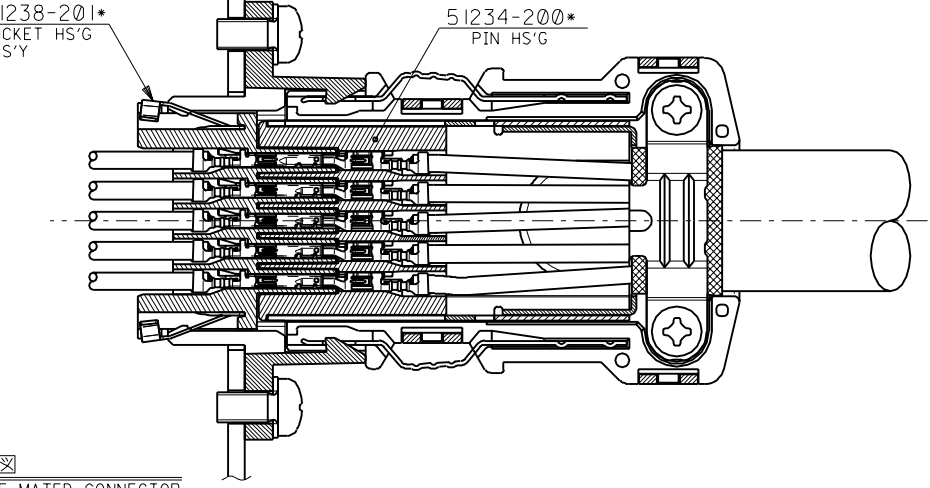
THIS DRAWING CONTAINS INFORMATION THAT IS PROPRIETARY TO MOLEX INCORPORATED AND SHOULD NOT BE USED WITHOUT WRITTEN PERMISSION.

DWG. NO.  
SD-51238-008



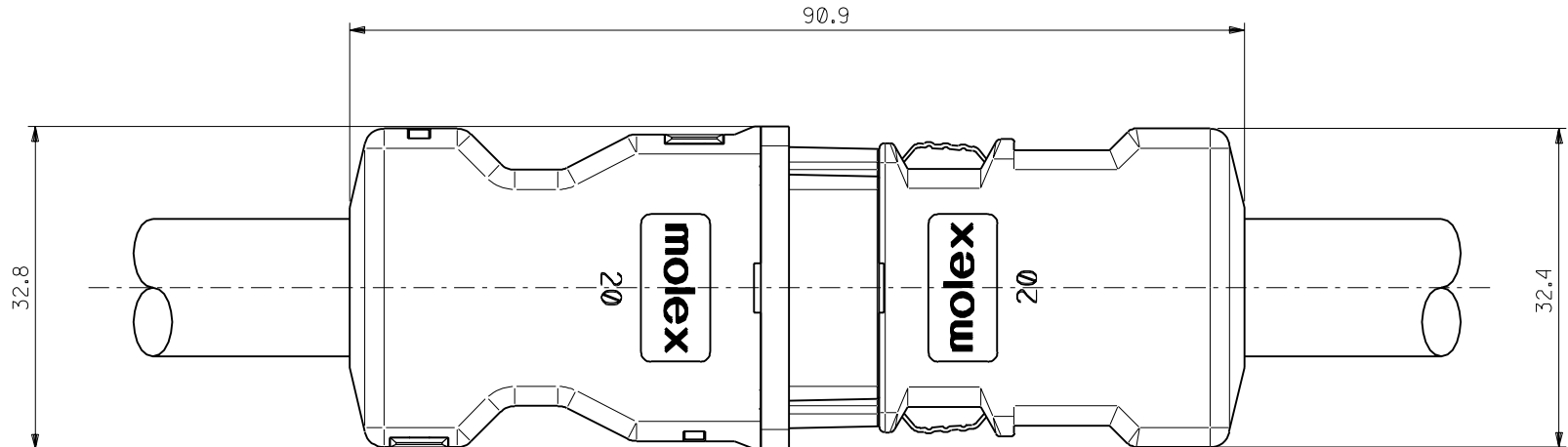
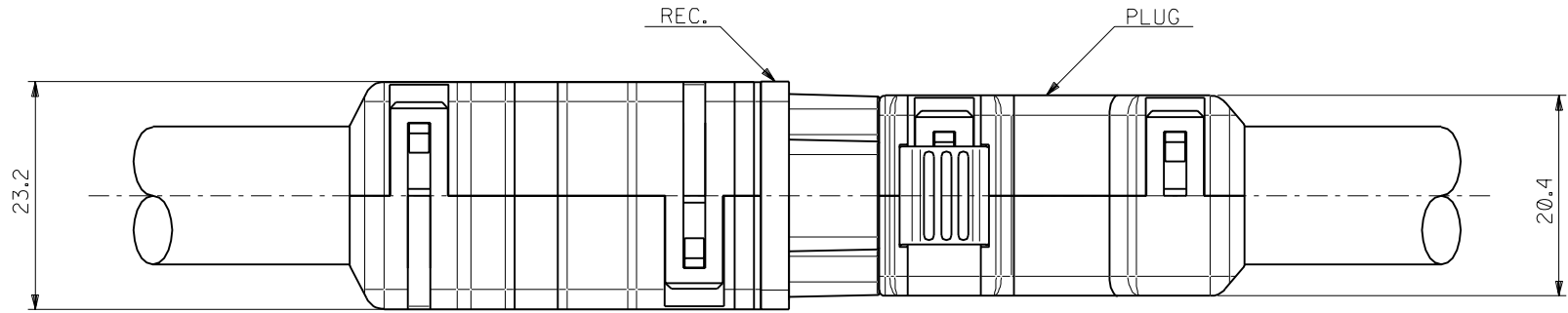
嵌合図

CROSS-SECTION VIEW OF MATED CONNECTOR



DO NOT SCALE DRAWING

EC NO. DRWN: CHK: APPR:	EC NO. DRWN: CHK: APPR:	EC NO. DRWN: CHK: APPR:	REVISED 01/10/04	MATERIAL 材料	GENERAL TOLERANCES: (UNLESS SPECIFIED) 一般公差	SCALE 2-1	DESIGN UNITS mm □ mm □ INCH	THIRD ANGLE PROJECTION	DIMENSIONS: mm □ mm □ INCH □ mm ONLY	SHT REVISE ON CAD ONLY	REV
			EC NO. J2002-0786 DRWN: S.AKIYAMA CHK: J.MIYAZAWA APPR: YO.ITO								
A	0	0	RELEASED 01/02/16	FINISH 仕上げ	10 OVER 30 UNDER 以上 未満	±0.25	±0.3	APPROVED BY & DATE <i>J. Miyazawa</i> 1/24/06	MATERIAL NO. SEE CHART	DRAWING NO. SD-51238-008	SHEET NO. 2 OF 4
			EC NO. JD2001-1040 DRWN: S.AKIYAMA CHK: J.MIYAZAWA APPR: H.IKESUGI								
				INS. RANGE 被覆外径	ANGLE 角度	±3°	THIS DRAWING CONTAINS INFORMATION THAT IS PROPRIETARY TO MOLEX INCORPORATED AND SHOULD NOT BE USED WITHOUT WRITTEN PERMISSION.			SIZE B	



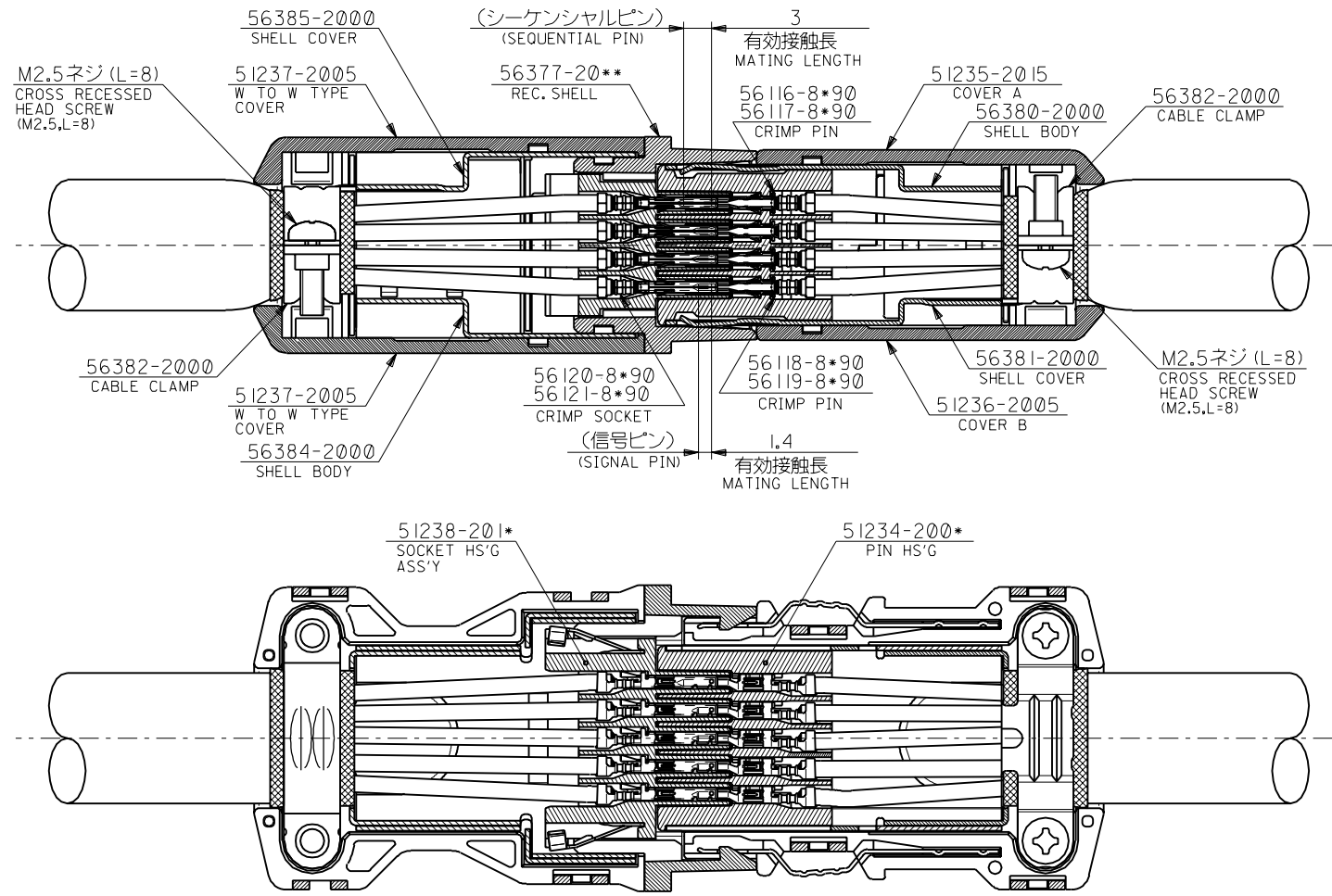
嵌合図 (中継タイプ)  
CROSS-SECTION VIEW OF MATED CONNECTOR  
(WIRE TO WIRE TYPE)

DO NOT SCALE DRAWING

EC NO. DRWN: CHK: APPR:	EC NO. DRWN: CHK: APPR:	EC NO. DRWN: CHK: APPR:	REVISED 01/10/04	MATERIAL 材料	GENERAL TOLERANCES: (UNLESS SPECIFIED) 一般公差	SCALE	DESIGN UNITS	THIRD ANGLE PROJECTION	DIMENSIONS:		SHT	REV
			EC NO. J2002-0786			#	2-1		mm	mm	INCH	INCH
A	0	0	DRWN: S.AKIYAMA	FINISH 仕上げ	10 UNDER		±0.2	DRAWN BY & DATE	TITLE: COMPACT ROBOT CONN. (CRC) REC. SOCKET HS'G ASS'Y			
			CHK: S.AKIYAMA		30 UNDER	±0.25		S. Akizawa 01/01/25				
A	0	0	DRWN: J.MIYAZAWA	#	30 OVER	±0.3	CHECKED BY & DATE	MOLEX INCORPORATED				
			CHK: J.MIYAZAWA		ANGLE 角度		±3°					
A	0	0	DRWN: Y.O.ITO	WIRE RANGE 適用電線範囲	#	CAD FILENAME	APPROVED BY & DATE		MATERIAL NO.	DRAWING NO.	SHEET NO.	SIZE B
			CHK: Y.O.ITO				INS. RANGE 被覆外径	#	51238008.S03	SEE CHART	SD-51238-008	
THIS DRAWING CONTAINS INFORMATION THAT IS PROPRIETARY TO MOLEX INCORPORATED AND SHOULD NOT BE USED WITHOUT WRITTEN PERMISSION.												EN-02J(097) MXJ-54

51238008.S03

DWG. NO.  
SD-51233-008



嵌合図 (中継タイプ)  
CROSS-SECTION VIEW OF MATED CONNECTOR  
(WIRE TO WIRE TYPE)

DO NOT SCALE DRAWING

EC NO. DRWN: CHK: APPR:	EC NO. DRWN: CHK: APPR:	EC NO. DRWN: CHK: APPR:	REVISED 01/10/04	MATERIAL 材料	GENERAL TOLERANCES: (UNLESS SPECIFIED) 一般公差	SCALE 2-1	DESIGN UNITS mm □ INCH	THIRD ANGLE PROJECTION	DIMENSIONS: □ mm □ INCH ☒ mm ONLY	SHT REVISE ON CAD ONLY	REV
			EC NO. J2002-0786 DRWN: S.AKIYAMA CHK: J.MIYAZAWA APPR: Y.O.IITO								
A	0	0	RELEASED 01/02/16	FINISH 仕上げ	10 OVER 以上	30 UNDER 未満	±0.25	APPROVED BY & DATE J. Miyazawa / Y. Oito	MATERIAL NO. SEE CHART	DRAWING NO. SD-51238-008	SHEET NO. 4 OF 4
			EC NO. JD2001-1040 DRWN: S.AKIYAMA CHK: J.MIYAZAWA APPR: H.IKESUGI								
			REV	WIRE RANGE 適用電線範囲	ANGLE 角度	±3°					
				INS. RANGE 被覆外径							

THIS DRAWING CONTAINS INFORMATION THAT IS PROPRIETARY TO MOLEX INCORPORATED AND SHOULD NOT BE USED WITHOUT WRITTEN PERMISSION.