

## SPECIFICATIONS

### Mechanical

**Contact Retention Force:** 0.15kg min.  
**Durability :** 25 Cycles

### Electrical

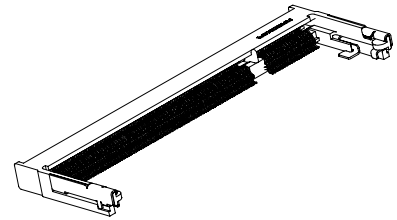
**Voltage Rating:** 25V  
**Current Rating:** 0.3A  
**Contact Resistance:** 50mΩ max.  
**Dielectric Withstanding Voltage:** 250V AC/1 min.  
**Insulation Resistance:** 100MΩ

### Physical

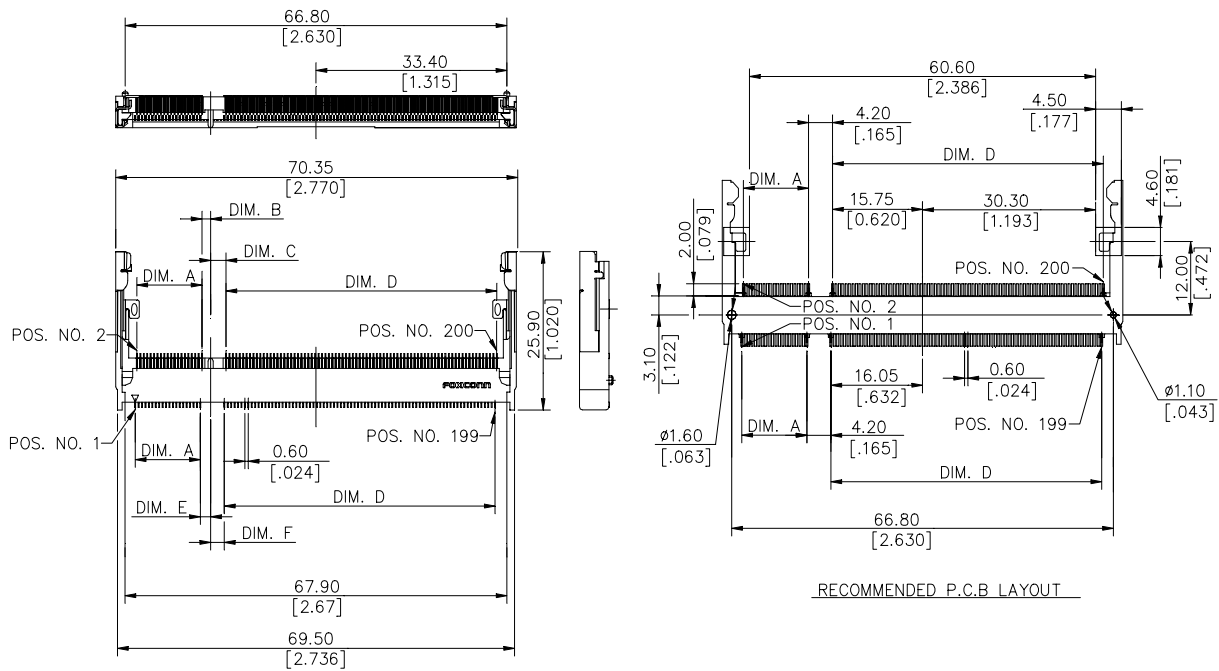
**Housing:** Thermoplastic, UL 94V-0 rated in Ivory Color  
**Contact:** Copper alloy  
**Plating:** See "ORDERING INFORMATION"  
**Metal Spring:** Copper alloy  
**Operating Temperature:** -40 to +85

## DDR SO DIMM Socket

**AS Series**  
**5.2mm Height SMT Type**  
**0.60mm [.024"] Pitch**  
**200 Pos.**



## DRAWING



## ORDERING INFORMATION

PRODUCT NO.: **A S 0 A4 2 6 - B2 \***

- Memory Module Socket ——— A
- Horizontal Type ——— S
- Single Row ——— 0
- No. of Pos. ——— A4
- A4=200 Pos.
- 2 ——— 2
- 6 ——— 6
- B2 ——— B2 = 5.2mm Height
- \* ——— Contact Area Plating  
                  6=10u" Gold
- SMT Type
- S=Standard Type  
                  — R=Reverse Type

AS0A426-B2R	11.40 [.449]	2.70 [.108]	1.50 [.059]
AS0A426-B2S	47.40 [1.866]	1.80 [.071]	2.40 [.094]
P/N	DIM. D	DIM. E	DIM. F
AS0A426-B2R	47.40 [1.866]	2.40 [.094]	1.80 [.071]
AS0A426-B2S	11.40 [.449]	1.50 [.059]	2.70 [.108]
P/N	DIM. A	DIM. B	DIM. C