

105-837

MINIATURE ADJUSTABLE HAND CRIMP TOOL AFM8 (M22520/2-01)

DMC DANIELS
MANUFACTURING
CORPORATION
DATA SHEET

THIS HAND TOOL MUST NOT BE USED IN ANY POWERED "PRESS" AS DEFINED BY OSHA CFR 1910.211 (46)

SEE REVERSE SIDE FOR IMPORTANT INFORMATION CONCERNING LIMITED WARRANTY, AND LIMITATION OF LIABILITY.

HOW TO USE DANIELS AFM8 (M22520/2-01) BASIC HAND CRIMP TOOL AND RELATED POSITIONERS

GENERAL INFORMATION

1. Designation AFM8 (M22520/2-01) refers to basic hand tool without positioners. Wire crimp range 20 AWG to 32 AWG.
2. The tool has a double action ratchet. Note that the tool cannot be opened without completing the cycle.

TOOL PREPARATION

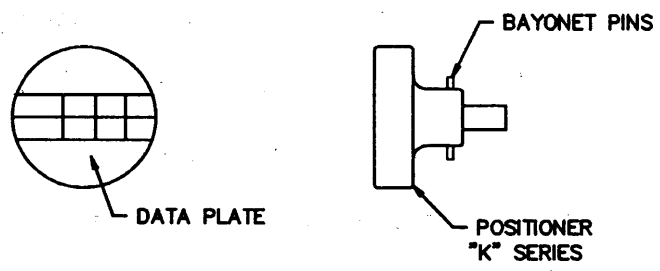
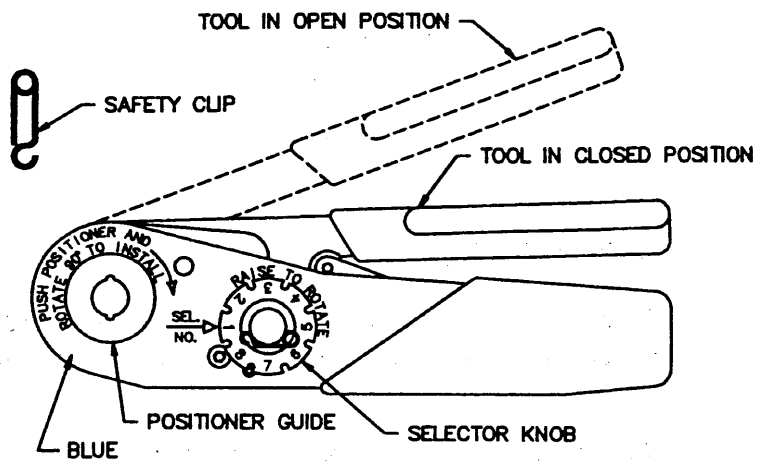
1. Tool must be in open position.
2. Remove safety clip from positioner guide.
3. Select Positioner for contact to be crimped.
4. Insert Positioner into positioner guide and turn 90 degrees until bayonet pins lock.
5. Install safety clip into positioner guide (optional).
6. Wire size and corresponding selector number are shown on data plate.
7. With tool still in open position, raise and rotate selector knob until number indicated on data plate for wire size to be crimped is in line with Sel. No. arrow.

CRIMPING INSTRUCTIONS

1. Insert contact and prepared wire into indenter opening from side opposite the Positioner.
2. Squeeze handles together until ratchet releases. Handle will return to the open position. Remove crimped contact and wire.

REMOVING POSITIONER

1. Remove safety clip and reverse procedure described in step four (4) above.

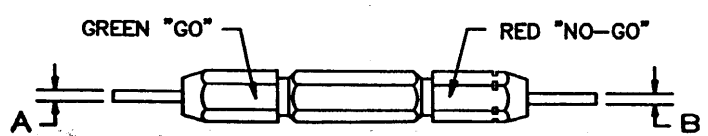


GAGE PART NO.	A GO DIA	B NO-GO DIA	SEL NO
G125	.0390	.0440	8

CAUTION!
Do not crimp gage.

GAGING LIMITS

SELECTOR NUMBER	A ±.0001 GO DIA	B ±.0001 NO-GO DIA
1	.0130	.0180
2	.0160	.0210
3	.0190	.0240
4	.0220	.0270
5	.0250	.0310
6	.0300	.0350
7	.0340	.0390
8	.0390	.0440



DANIELS MANUFACTURING CORP., 526 THORPE ROAD, ORLANDO, FL 32824, USA, PHONE 407/855-6161 FAX 407/855-6884
COPYRIGHT © 1993 DANIELS MANUFACTURING CORP., USA. ALL RIGHTS RESERVED.



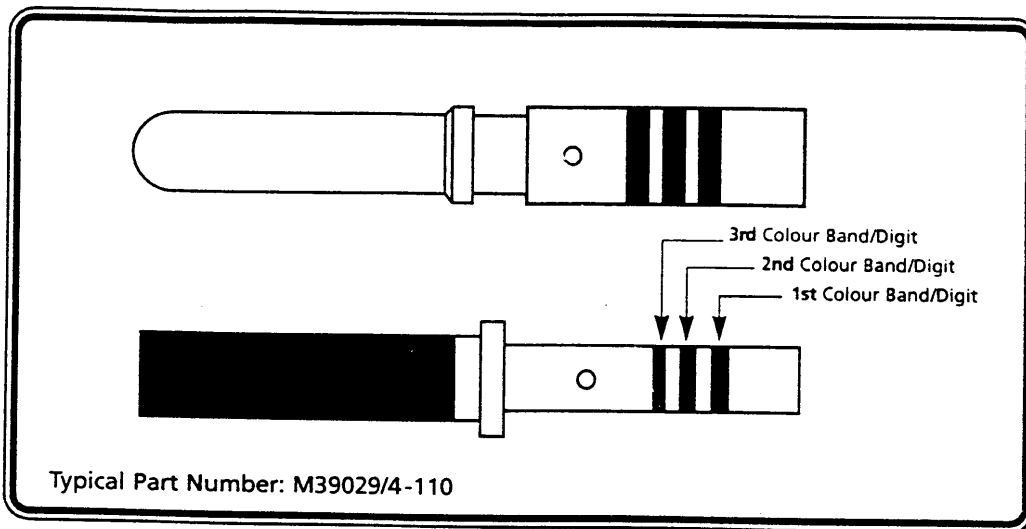
Miles Roystone

a GLENAIR INTERNATIONAL LTD company

CONNECTOR TOOLING DIVISION

WIRE STRIPPERS
 MAINTENANCE REPAIR KITS
 INSERTION / EXTRACTION TOOLS
 CRIMPING TOOLS TO MIL-C-22520
 HYDRAULIC & PNEUMATIC POWER TOOLS

Pin & Socket Crimp Removable Contacts To Specification Mil-C-39029



**Contacts are colour coded for identification purposes.
 Each band having a colour/value as follows:**

0 = Black	5 = Green
1 = Brown	6 = Blue
2 = Red	7 = Violet
3 = Orange	8 = Grey
4 = Yellow	9 = White

A Selection of contact types available are as follows:

Pin Contacts	Socket Contacts
M39029/4	M39029/5
M39029/31	M39029/32
M39029/58	M39029/57
M39029/1	M39029/63
M39029/64	M39029/30
M39029/29	M39029/45
M39029/44	

The above are for use with various Military style Connector types. For contacts not listed and for price/availability please call our Connector Tooling Sales Desk.