

C&K TL Series Door Interlock Switches

Features/Benefits

- Push/pull motion
- Multiple mounting configurations
- Wide variety of termination options
- Ratings up to 15 AMPS

Typical Applications

- Computer enclosures
- Panel builders
- Industrial enclosures



Specifications

CONTACT RATING: 15 AMPS @ 125 & 250 V AC; 0.25 AMP @ 250 V DC; 0.5 AMP @ 125 V DC; 1/2 HP @ 125 & 250 V AC; 3 AMPS @ 125 V AC "L".

ELECTRICAL LIFE: 150,000 cycles at 15 AMPS @ 250 V AC.

INSULATION RESISTANCE: 1,000 M ohm min.

DIELECTRIC STRENGTH: 1,000 Vrms min. @ sea level.

OPERATING TEMPERATURE: -67°F to 302°F (-55°C to 150°C).

NOTE: For the latest information regarding RoHS compliance, please go to: www.ittcannon.com/rohs.

NOTE: Specifications and materials listed above are for switches with standard options. For information on specific and custom switches, consult Customer Service Center.

Materials

SWITCH HOUSING: Thermoplastic or general purpose phenolic (UL 94V-0).

MOUNTING BRACKET: Stainless steel.

PLUNGER: Stainless steel.

ACTUATOR BUTTON: Thermoplastic (UL 94V-0).

SPRING: Copper alloy.

PIVOT: Brass alloy.

MOVABLE CONTACT: Fine silver.

STATIONARY CONTACTS: Fine silver.

TERMINALS: Copper alloy.

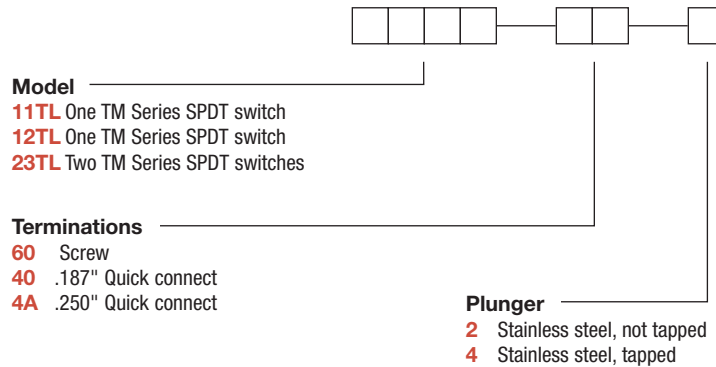


K

Snap-acting

Build-A-Switch

To order, simply select desired option from each category and place in the appropriate box. Available options are shown and described on pages K-51 and K-52. For additional options not shown in catalog, consult Customer Service Center.



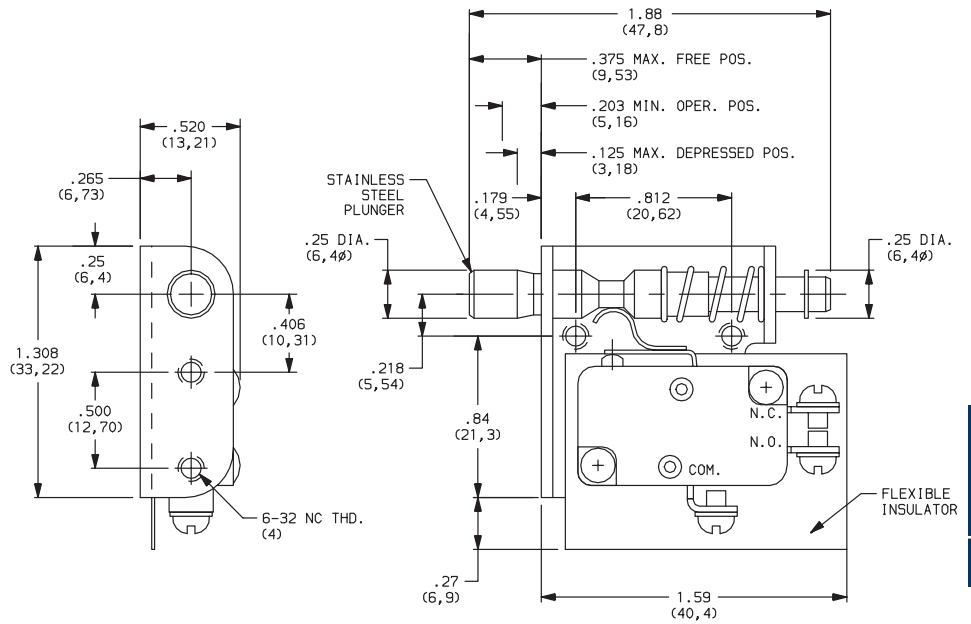
C&K TL Series Door Interlock Switches

MODEL

11TL WITH SMALL BRACKET



11TL602
SPDT

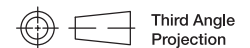
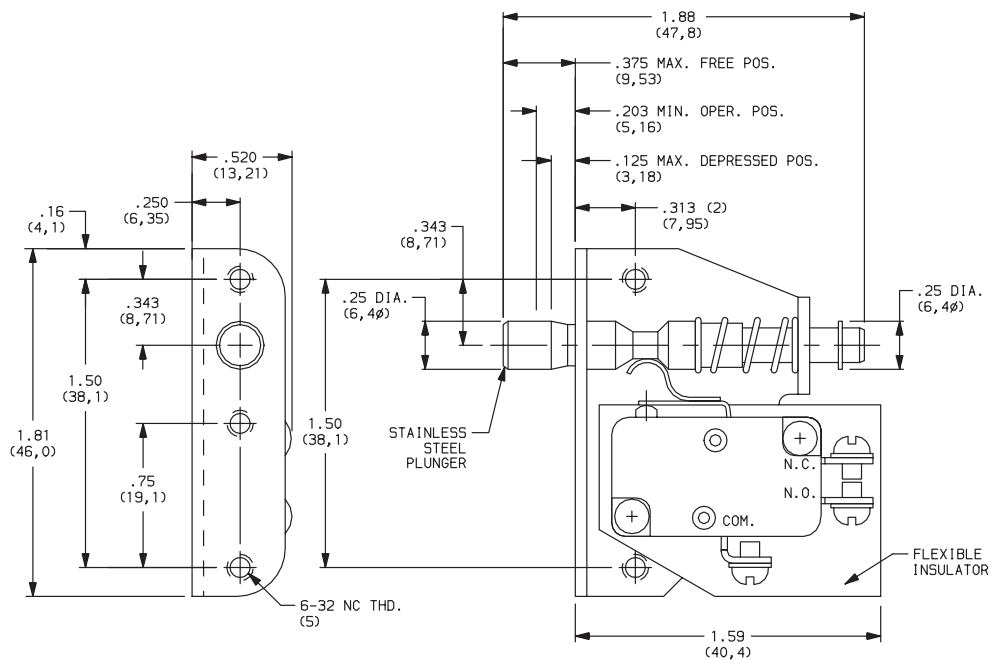


Snap-acting

12TL WITH LARGE BRACKET



12TL602
SPDT

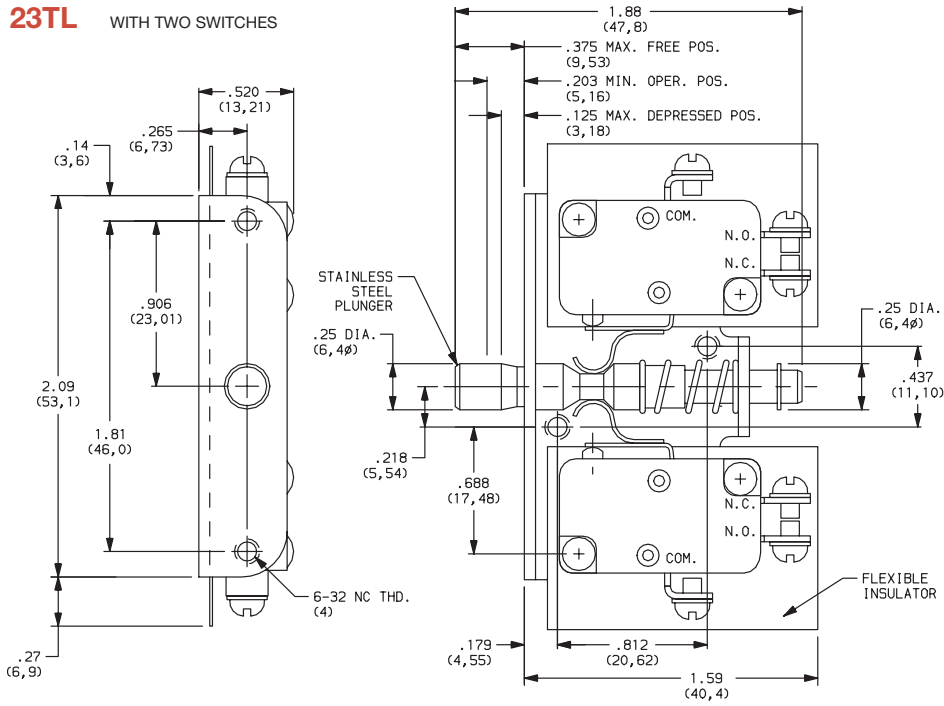


Dimensions are shown: Inch (mm)
Specifications and dimensions subject to change

C&K TL Series Door Interlock Switches

MODEL

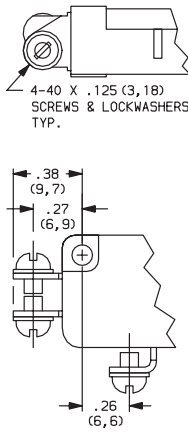
23TL WITH TWO SWITCHES



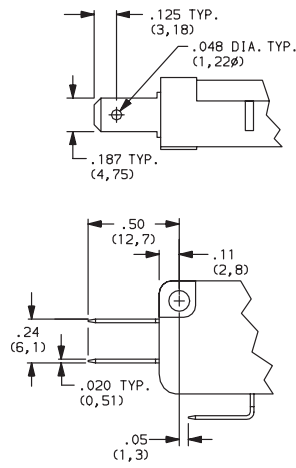
**23TL602
SPDT**

TERMINATIONS

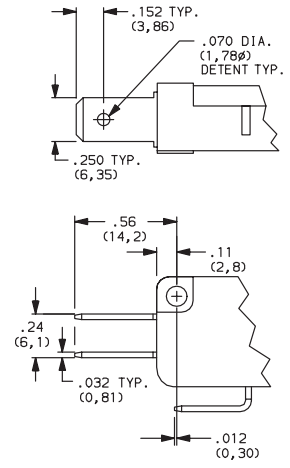
60 SCREW TERMINALS



40 .187" QUICK CONNECT



4A .250" QUICK CONNECT

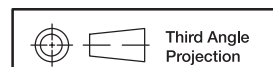


PLUNGERS

2 STAINLESS STEEL, NOT TAPPED

4 STAINLESS STEEL, TAPPED 4-40 x .375 (9,52) min. depth

Snap-acting
K



Dimensions are shown: Inch (mm)
Specifications and dimensions subject to change