



Micropower Hi-Sensitivity Hall Effect Switch

PT-3661

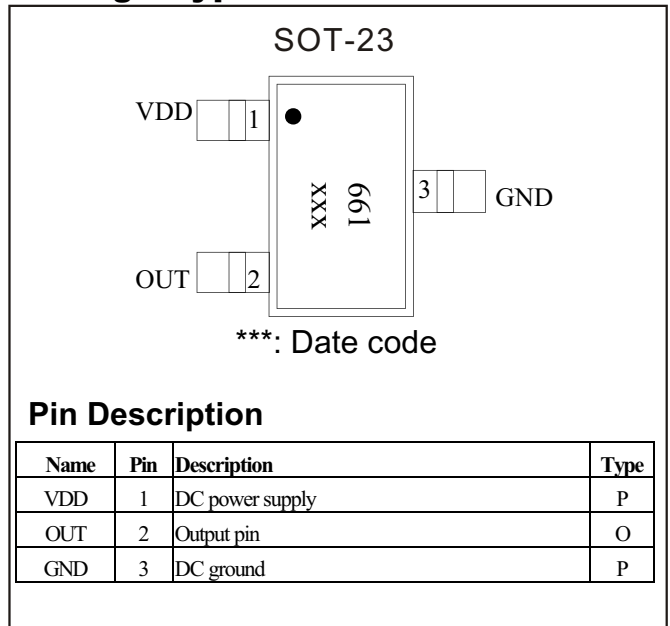
Applications

- Cover detector.
- Battery-Operated.
- Hand-Held Equipment.

Features

- 2.4V to 5.5V operating range
- Built-in dynamic offset cancellation
- Small Size
- High balance and low thermal drift magnetic sensing
- Micro power Operation
- ESD protected to 5kV(HBM)

Package Type



Pin Description

Specifications

Absolute Maximum Ratings (Ta = 25°C)

Parameter	Symbol	Conditions	Ratings	Units
Maximum supply voltage	V _{DD} ^{max}		7	V
Allowable power dissipation	P _d		300*	mW
Operating temperature	T _a		-40 ~ +85	°C
Storage temperature	T _s		-55 ~ +150	°C
Output current	I _{out}		5	mA

* On 50mm x 50mm x 1.6mm glass epoxy board

- ◆ Any and all PROLIFIC products described or contained herein do not have specifications that can handle applications that require extremely high levels of reliability, such as life-support systems, aircraft's control systems, or other applications whose failure can be reasonably expected to result in serious physical and/or material damage. Consult with your PROLIFIC representative nearest you before using any PROLIFIC products described or contained herein in such applications.
- ◆ PROLIFIC assumes no responsibility for equipment failures that result from using products at values that exceed, even momentarily, rated values (such as maximum ratings, operating condition ranges, or other parameters) listed in products specifications of any and all PROLIFIC products described or contained herein.