

**POWER TRANSISTOR DRIVING  
BASE AMPLIFIER BUILT-IN TYPE PHOTOCOUPLER****DESCRIPTION**

The PS9634 and PS9634L are optical linkage devices mounting a GaAs infrared ray LED on the light emitting side (input side) and a photo diode and a signal processing circuit on the light receiving side (output side) on one chip.

They can directly drive a power transistor of 15 to 20 A class used for such as an inverter control air conditioner or general purpose inverter.

The PS9634L has a surface mount type lead.

**FEATURES**

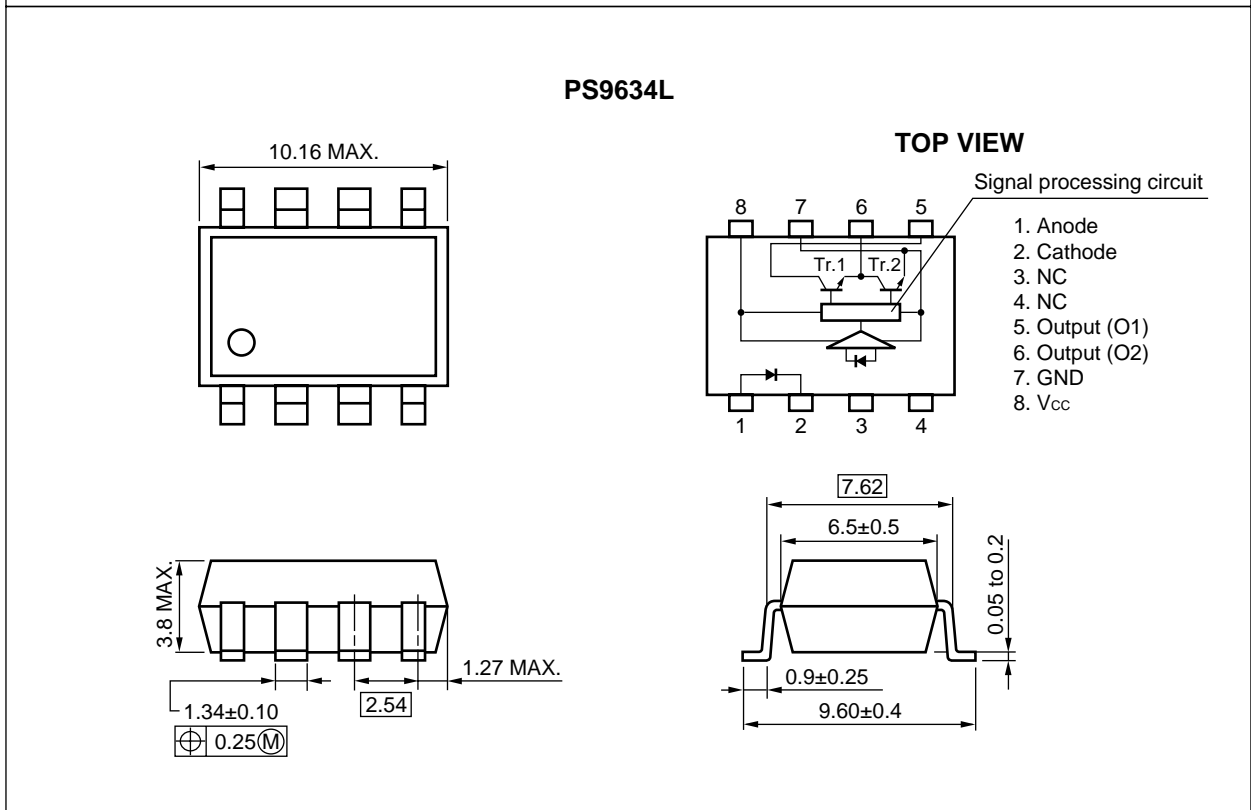
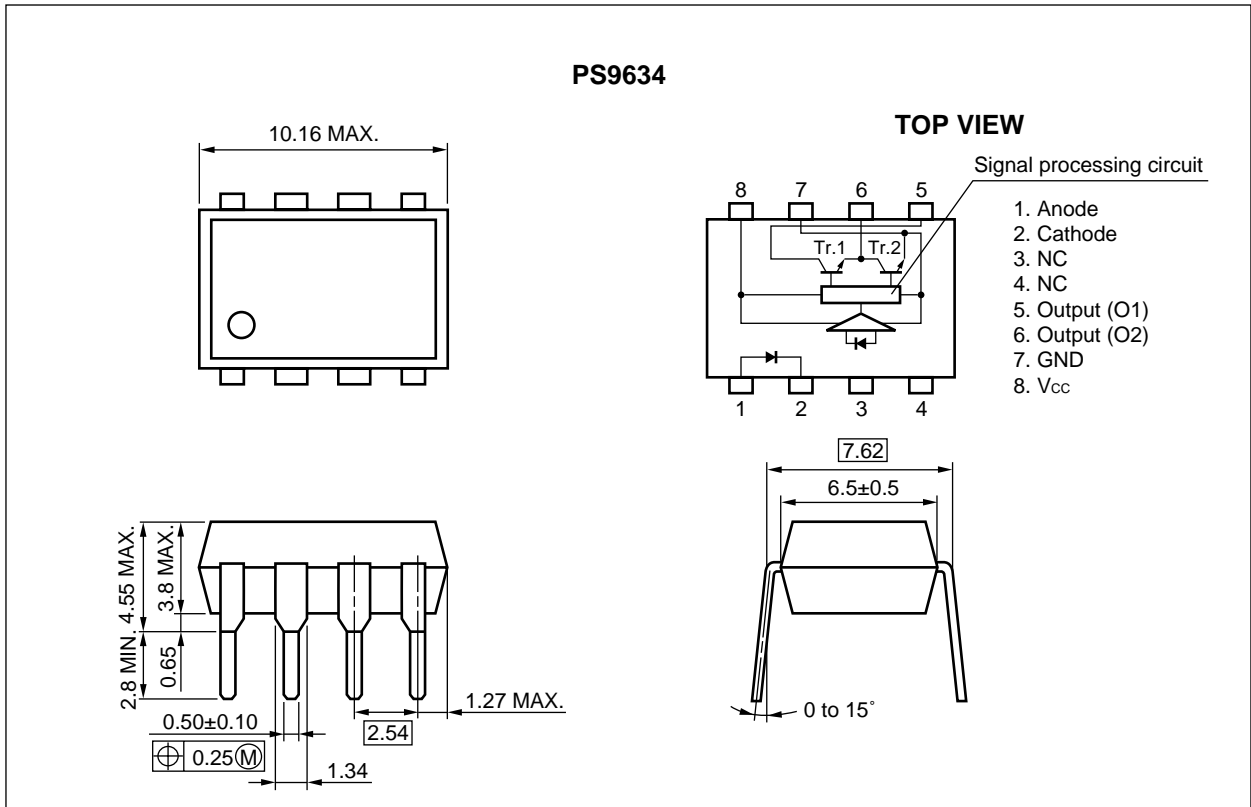
- High instantaneous common mode rejection voltage ( $CM_H = -1\ 000\ V/\mu s$  MIN.,  $CM_L = 1\ 000\ V/\mu s$  MIN.)
- High supply voltage ( $V_{CC} = 18\ V$ )
- High-speed response ( $t_{PHL}, t_{PLH} = 5\ \mu s$  MAX.)
- High output current ( $I_{O1} = 0.5\ A$  (DC),  $I_{O1P} = 1.0\ A$  (pulse) )
- Taping product name (PS9634L-E3, E4)

**APPLICATIONS**

- Inverter control air conditioner
- General purpose inverter

The information in this document is subject to change without notice.

★ PACKAGE DIMENSIONS (in millimeters)



**ABSOLUTE MAXIMUM RATINGS (T<sub>A</sub> = 25 °C, unless otherwise specified)**

Parameter		Symbol	Ratings	Unit
Diode	Forward Current (DC)	I <sub>F</sub>	30	mA
	Reverse Voltage	V <sub>R</sub>	6.0	V
	Peak Forward Current <sup>*1</sup>	I <sub>FM</sub>	1	A
Detector	Supply Voltage	V <sub>CC</sub>	18	V
	Output Current (O1)	I <sub>O1</sub>	0.5	A
	Peak Output Current (O1)	I <sub>O1P</sub>	1.0	
	Output Current (O2)	I <sub>O2</sub>	0.8	
	Peak Output Current (O2)	I <sub>O2P</sub>	2.0	
	Output Voltage (O1)	V <sub>O1</sub>	18	V
	Power Dissipation	P <sub>O</sub>	500	mW
Isolation Voltage <sup>*2</sup>		BV	5 000	Vr.m.s.
Total Power Dissipation		P <sub>T</sub>	550	mW
Operating Ambient Temperature		T <sub>A</sub>	-20 to +80	°C
Storage Temperature		T <sub>stg</sub>	-55 to +150	°C

\*1 PW = 100 μs, Duty Cycle = 1 %

\*2 AC voltage for 1 minute at T<sub>A</sub> = 25 °C, RH = 60 % between input and output

**RECOMMENDED OPERATING CONDITIONS**

Parameter	Symbol	MIN.	TYP.	MAX.	Unit
Input On Current	I <sub>FLH</sub>	6	8	10	mA
Supply Voltage	V <sub>CC</sub>	5.4		15	V
Output Current (O1)	I <sub>O1</sub>	0.1	0.2	0.3	A
Output Current (O2)	I <sub>O2</sub>				
Operating Ambient Temperature	T <sub>A</sub>	0	25	50	°C

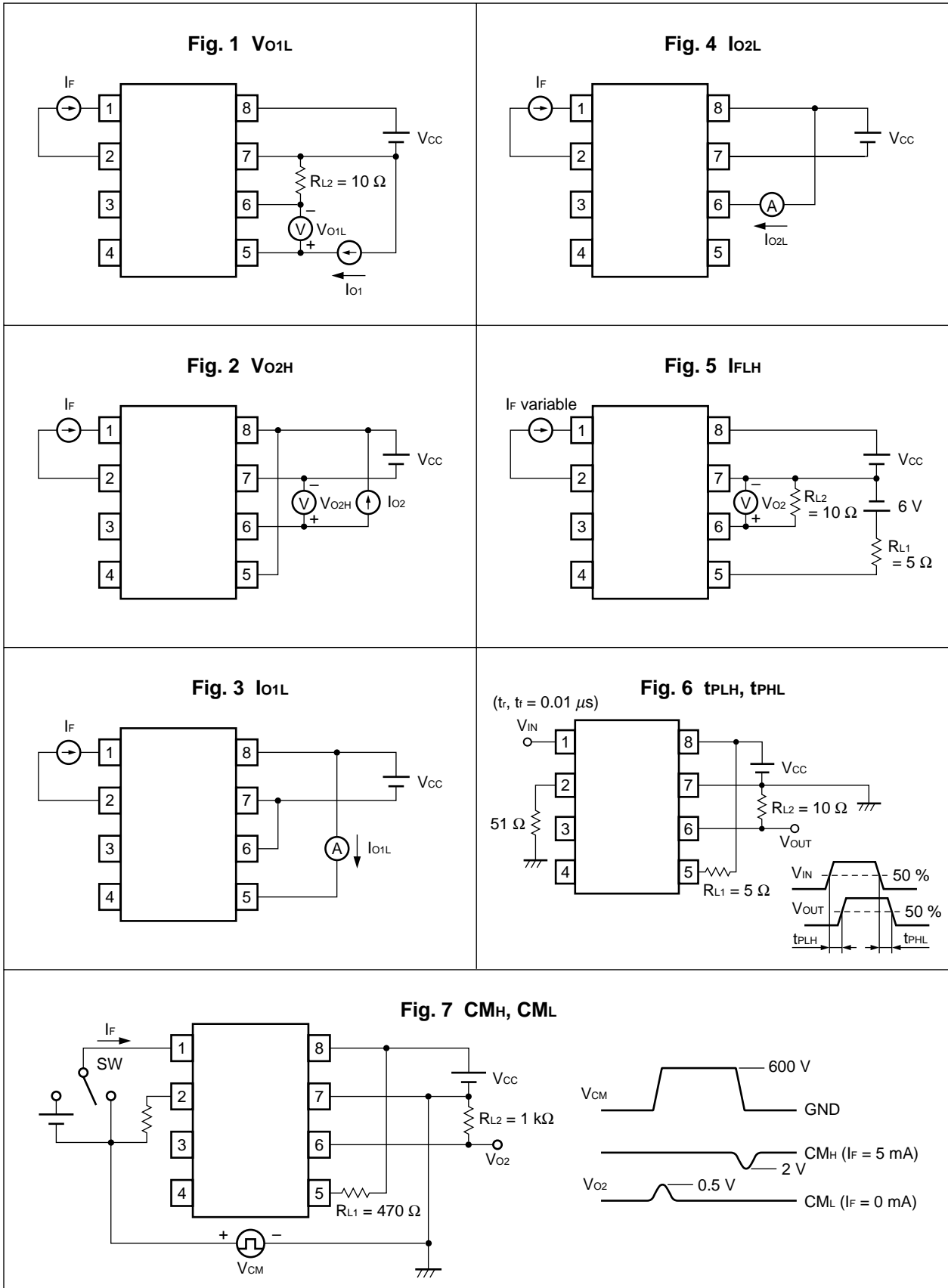
**TRUTH TABLE**

	LED	
	ON	OFF
Tr. 1	ON	OFF
Tr. 2	OFF	ON

**ELECTRICAL CHARACTERISTICS (T<sub>A</sub> = -20 to +80 °C, unless otherwise specified)**

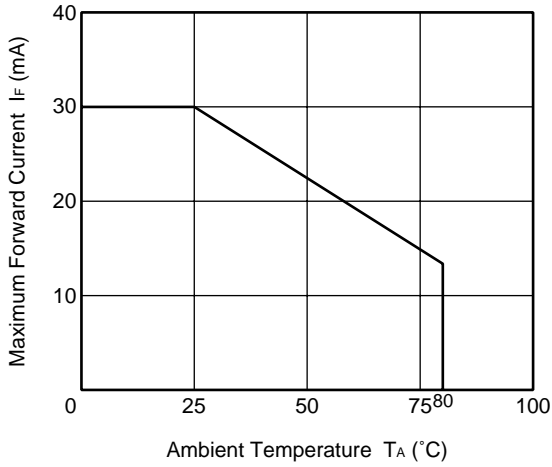
Parameter		Symbol	Conditions	MIN.	TYP.	MAX.	Unit	Fig.
Diode	Forward Voltage	V <sub>F</sub>	I <sub>F</sub> = 5 mA, T <sub>A</sub> = 25 °C		1.1	1.4	V	
	Reverse Current	I <sub>R</sub>	V <sub>R</sub> = 5 V, T <sub>A</sub> = 25 °C			5	μA	
	Terminal Capacitance	C <sub>t</sub>	V = 0 V, f = 1.0 MHz, T <sub>A</sub> = 25 °C		30		pF	
Detector	Supply Voltage	V <sub>CC</sub>		5.4		15	V	
	Low Level Output Voltage (O1)	V <sub>O1L</sub>	V <sub>CC</sub> = 6 V, I <sub>O1</sub> = 0.4 A, R <sub>L2</sub> = 10 Ω, I <sub>F</sub> = 5 mA		0.25	0.40	V	1
	High Level Output Voltage (O2)	V <sub>O2H</sub>	V <sub>CC</sub> = 6 V, I <sub>O2</sub> = -0.4 A, I <sub>F</sub> = 5 mA	4.5	5.0		V	2
	Low Level Output Voltage (O2)	V <sub>O2L</sub>	V <sub>CC</sub> = 6 V, I <sub>O2</sub> = 0.5 A, I <sub>F</sub> = 0 mA		0.25	0.40	V	
	Leakage Current (O1)	I <sub>O1L</sub>	V <sub>CC</sub> = 13 V, I <sub>F</sub> = 0 mA			100	μA	3
	Leakage Current (O2)	I <sub>O2L</sub>	V <sub>CC</sub> = 13 V, I <sub>F</sub> = 5 mA			100	μA	4
	High Level Supply Current	I <sub>CCH</sub>	T <sub>A</sub> = 25 °C V <sub>CC</sub> = 6 V, I <sub>F</sub> = 5 mA		8	12	mA	
	Low Level Supply Current	I <sub>CCL</sub>	T <sub>A</sub> = 25 °C V <sub>CC</sub> = 6 V, I <sub>F</sub> = 0 mA		15	18	mA	
Coupled	Input On Current (L → H)	I <sub>FLH</sub>	T <sub>A</sub> = 25 °C V <sub>CC</sub> = 6 V, R <sub>L1</sub> = 5 Ω, R <sub>L2</sub> = 10 Ω	0.3	1.5	3.0	mA	5
	Isolation Resistance	R <sub>I-O</sub>	R <sub>H</sub> = 40 to 60 %, T <sub>A</sub> = 25 °C	10 <sup>11</sup>			Ω	
	Propagation Delay Time (L → H)	t <sub>PLH</sub>	V <sub>CC</sub> = 6 V, I <sub>F</sub> = 5 mA, T <sub>A</sub> = 25 °C R <sub>L1</sub> = 5 Ω, R <sub>L2</sub> = 10 Ω		3	5	μs	6
	Propagation Delay Time (H → L)	t <sub>PHL</sub>						
	Instantaneous Common Mode Rejection Voltage (Output: High)	CM <sub>H</sub>	T <sub>A</sub> = 25 °C, V <sub>CM</sub> = 600 V (peak), I <sub>F</sub> = 5 mA, R <sub>L1</sub> = 470 Ω, R <sub>L2</sub> = 1 kΩ, ΔV <sub>O2H</sub> = 2 V	-1 000			V/μs	7
	Instantaneous Common Mode Rejection Voltage (Output: Low)	CM <sub>L</sub>	T <sub>A</sub> = 25 °C, V <sub>CM</sub> = 600 V (peak), I <sub>F</sub> = 0 mA, R <sub>L1</sub> = 470 Ω, R <sub>L2</sub> = 1 kΩ, ΔV <sub>O2L</sub> = 0.5 V	1 000			V/μs	

MEASUREMENT CIRCUITS FOR ELECTRICAL CHARACTERISTICS

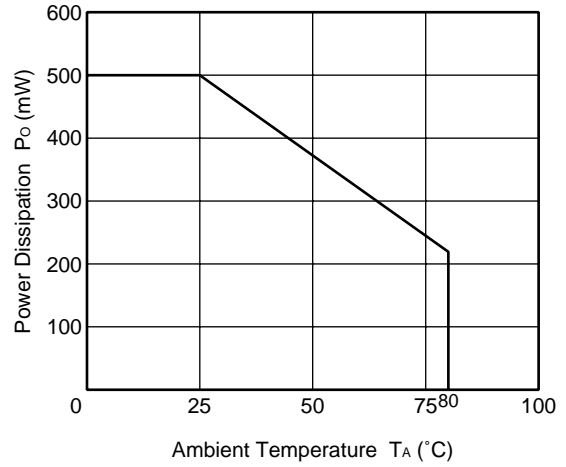


TYPICAL CHARACTERISTICS (T<sub>A</sub> = 25 °C, unless otherwise specified)

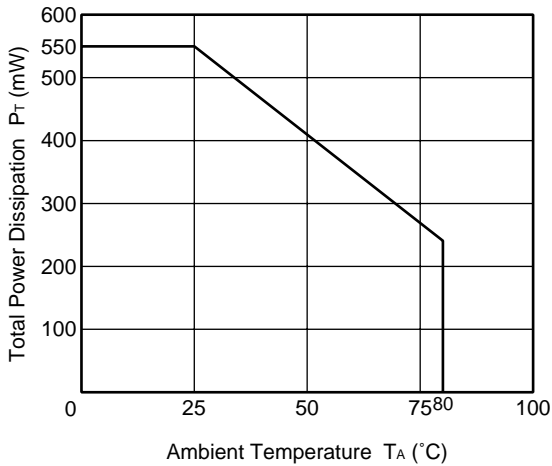
MAXIMUM FORWARD CURRENT vs. AMBIENT TEMPERATURE



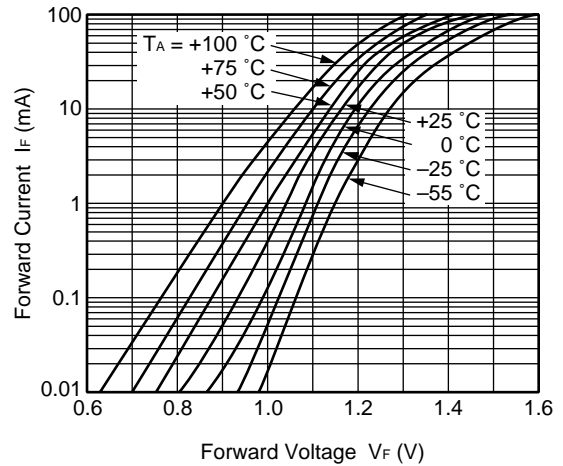
POWER DISSIPATION vs. AMBIENT TEMPERATURE



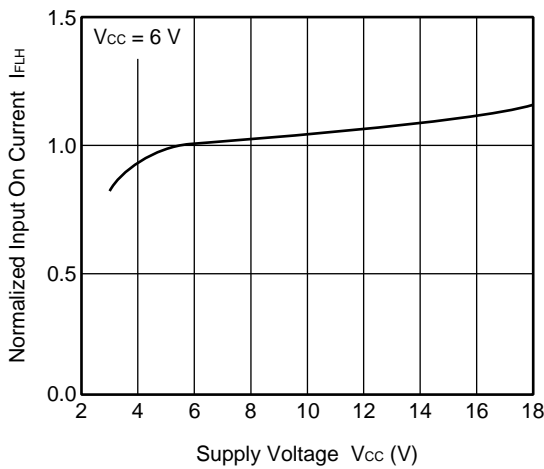
TOTAL POWER DISSIPATION vs. AMBIENT TEMPERATURE



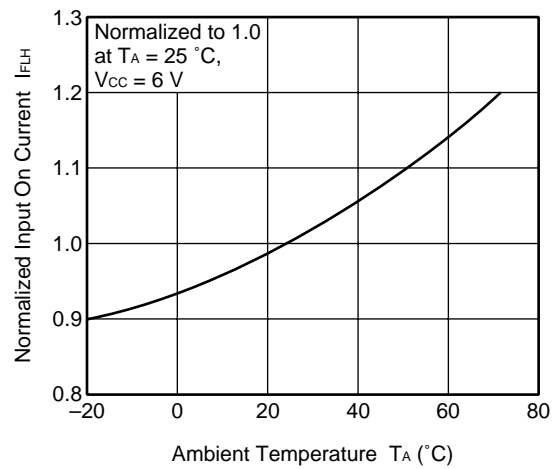
FORWARD CURRENT vs. FORWARD VOLTAGE



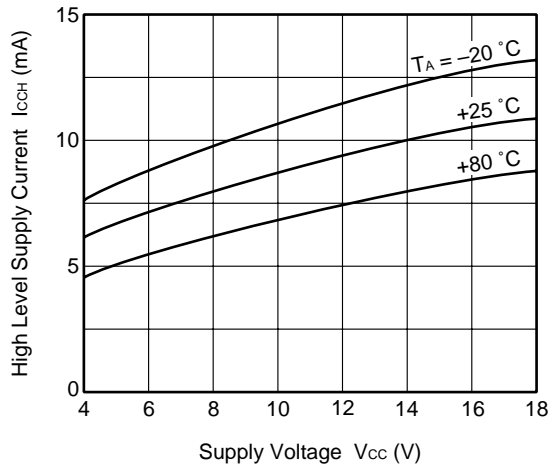
NORMALIZED INPUT ON CURRENT vs. SUPPLY VOLTAGE



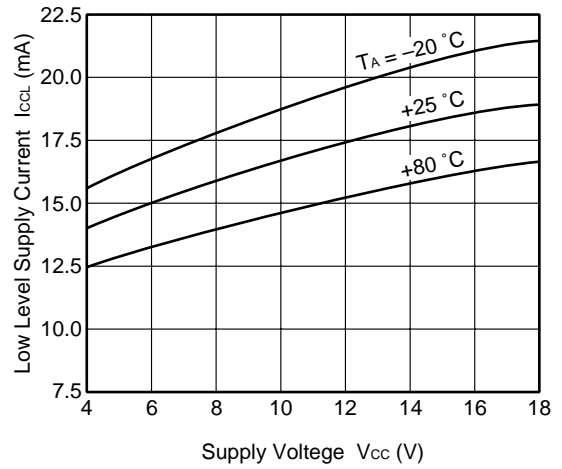
NORMALIZED INPUT ON CURRENT vs. AMBIENT TEMPERATURE



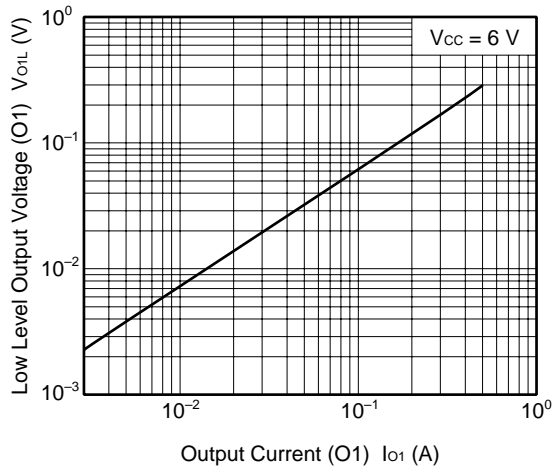
HIGH LEVEL SUPPLY CURRENT vs. SUPPLY VOLTAGE



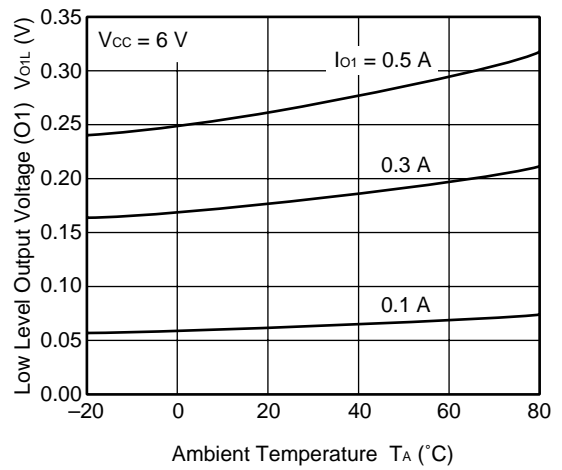
LOW LEVEL SUPPLY CURRENT vs. SUPPLY VOLTAGE



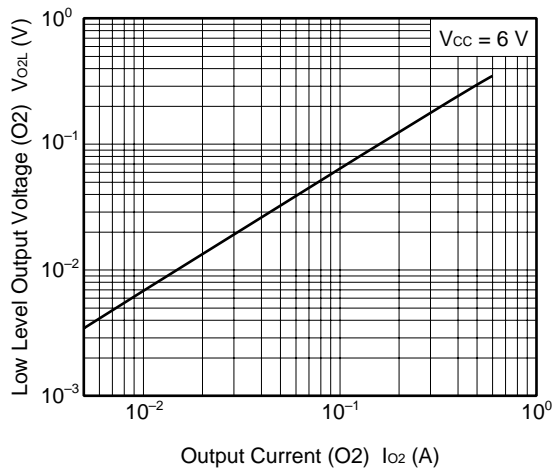
LOW LEVEL OUTPUT VOLTAGE (O1) vs. OUTPUT CURRENT (O1)



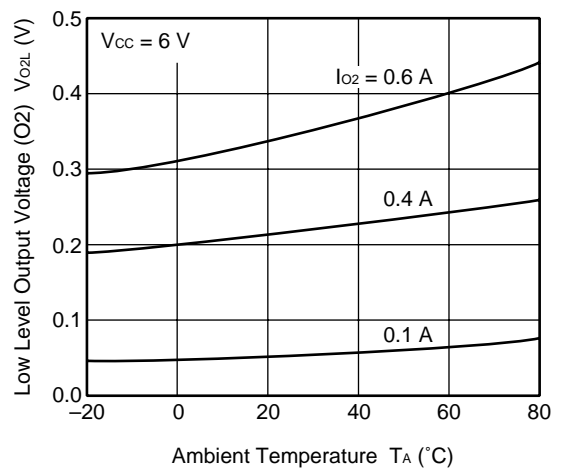
LOW LEVEL OUTPUT VOLTAGE (O1) vs. AMBIENT TEMPERATURE



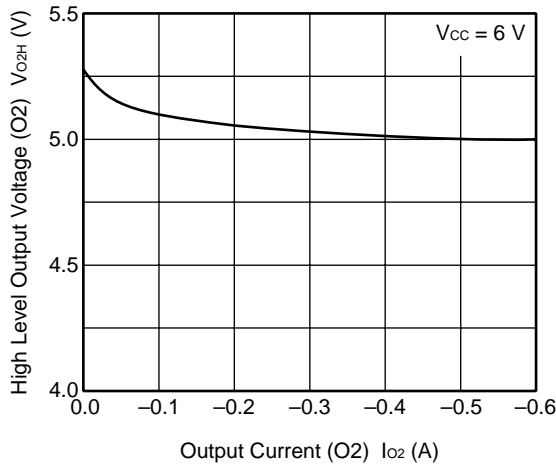
LOW LEVEL OUTPUT VOLTAGE (O2) vs. OUTPUT CURRENT (O2)



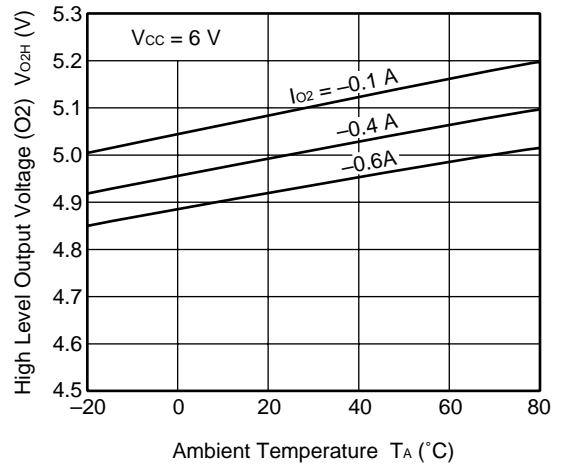
LOW LEVEL OUTPUT VOLTAGE (O2) vs. AMBIENT TEMPERATURE



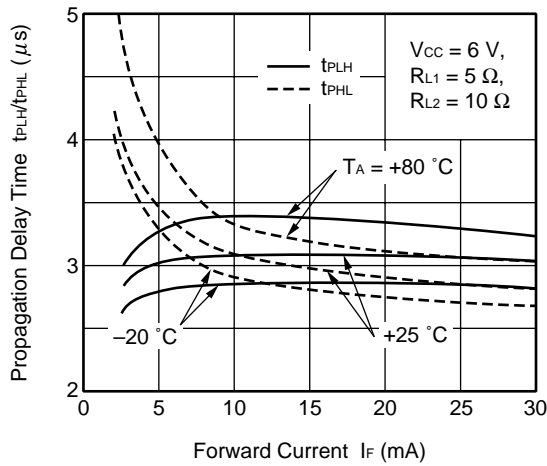
HIGH LEVEL OUTPUT VOLTAGE (O2) vs. OUTPUT CURRENT (O2)



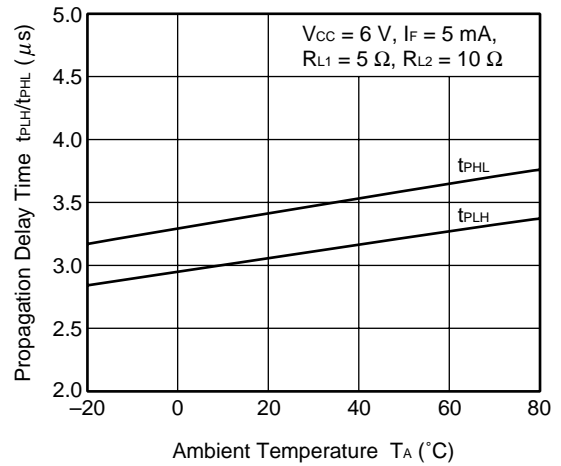
HIGH LEVEL OUTPUT VOLTAGE (O2) vs. AMBIENT TEMPERATURE



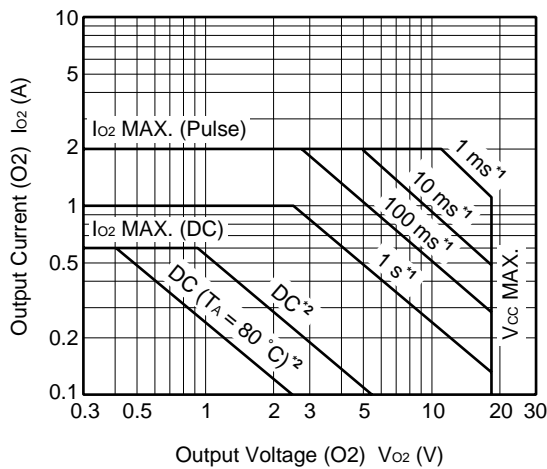
PROPAGATION DELAY TIME vs. FORWARD CURRENT



PROPAGATION DELAY TIME vs. AMBIENT TEMPERATURE



SAFE OPERATING AREA (Tr.1)



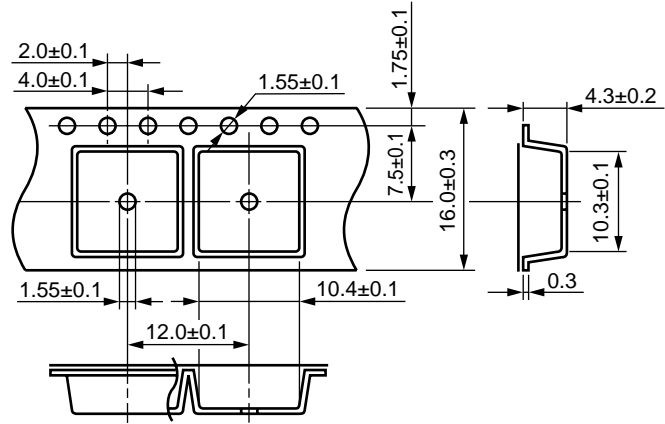
- \*1 One pulse
- \*2 On the epoxy board

**Remark** The measurement of TYPICAL CHARACTERISTICS are only for reference, not guaranteed.

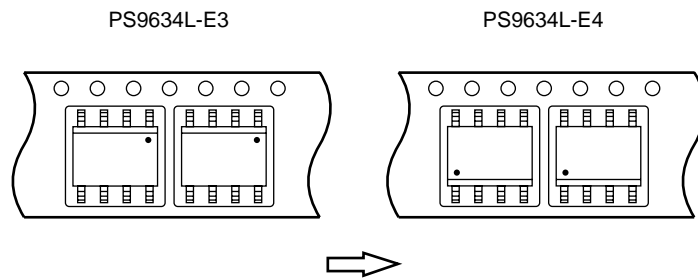


★ TAPING SPECIFICATIONS (in millimeters)

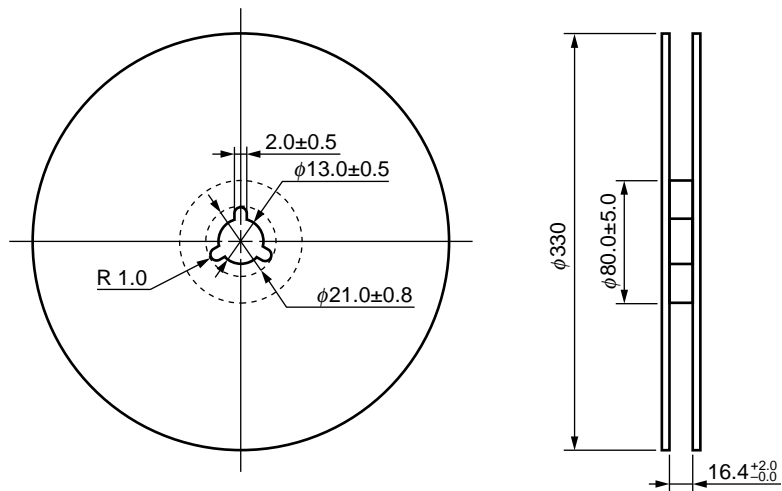
Outline and Dimensions (Tape)



Tape Direction



Outline and Dimensions (Reel)



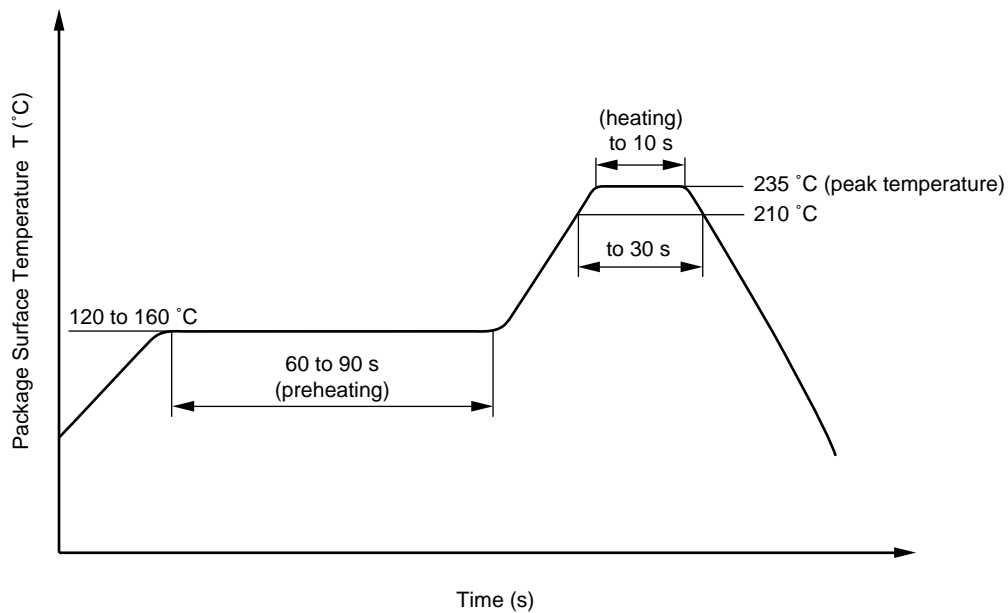
Packing: 1 000 pcs/reel

**RECOMMENDED SOLDERING CONDITIONS**

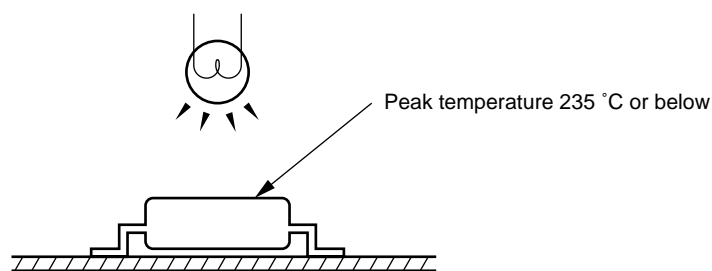
**(1) Infrared reflow soldering**

- Peak reflow temperature 235 °C (package surface temperature)
- Time of temperature higher than 210 °C 30 seconds or less
- Number of reflows Three
- Flux Rosin flux containing small amount of chlorine (The flux with a maximum chlorine content of 0.2 Wt % is recommended.)

Recommended Temperature Profile of Infrared Reflow



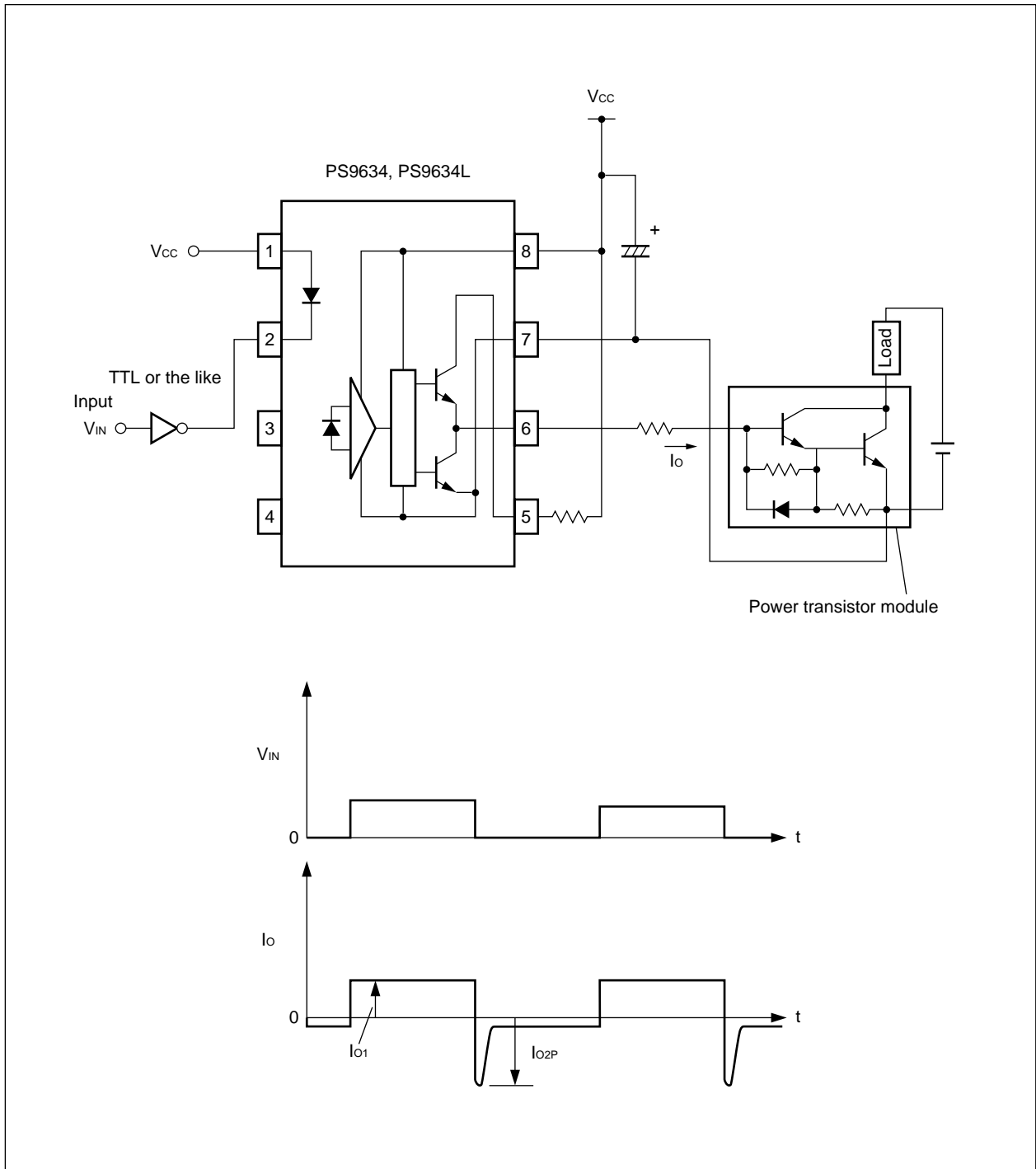
**Caution** Please avoid to removed the residual flux by water after the first reflow processes.



**(2) Dip soldering**

- Temperature 260 °C or below (molten solder temperature)
- Time 10 seconds or less
- Number of times One
- Flux Rosin flux containing small amount of chlorine (The flux with a maximum chlorine content of 0.2 Wt % is recommended.)

APPLICATION EXAMPLE OF PHOTOCOUPLER (TO POWER TRANSISTOR MODULE)



**CAUTION**

**Within this device there exists GaAs (Gallium Arsenide) material which is a harmful substance if ingested. Please do not under any circumstances break the hermetic seal.**

No part of this document may be copied or reproduced in any form or by any means without the prior written consent of NEC Corporation. NEC Corporation assumes no responsibility for any errors which may appear in this document.

NEC Corporation does not assume any liability for infringement of patents, copyrights or other intellectual property rights of third parties by or arising from use of a device described herein or any other liability arising from use of such device. No license, either express, implied or otherwise, is granted under any patents, copyrights or other intellectual property rights of NEC Corporation or others.

While NEC Corporation has been making continuous effort to enhance the reliability of its semiconductor devices, the possibility of defects cannot be eliminated entirely. To minimize risks of damage or injury to persons or property arising from a defect in an NEC semiconductor device, customers must incorporate sufficient safety measures in its design, such as redundancy, fire-containment, and anti-failure features.

NEC devices are classified into the following three quality grades:

"Standard", "Special", and "Specific". The Specific quality grade applies only to devices developed based on a customer designated "quality assurance program" for a specific application. The recommended applications of a device depend on its quality grade, as indicated below. Customers must check the quality grade of each device before using it in a particular application.

Standard: Computers, office equipment, communications equipment, test and measurement equipment, audio and visual equipment, home electronic appliances, machine tools, personal electronic equipment and industrial robots

Special: Transportation equipment (automobiles, trains, ships, etc.), traffic control systems, anti-disaster systems, anti-crime systems, safety equipment and medical equipment (not specifically designed for life support)

Specific: Aircrafts, aerospace equipment, submersible repeaters, nuclear reactor control systems, life support systems or medical equipment for life support, etc.

The quality grade of NEC devices is "Standard" unless otherwise specified in NEC's Data Sheets or Data Books. If customers intend to use NEC devices for applications other than those specified for Standard quality grade, they should contact an NEC sales representative in advance.

Anti-radioactive design is not implemented in this product.