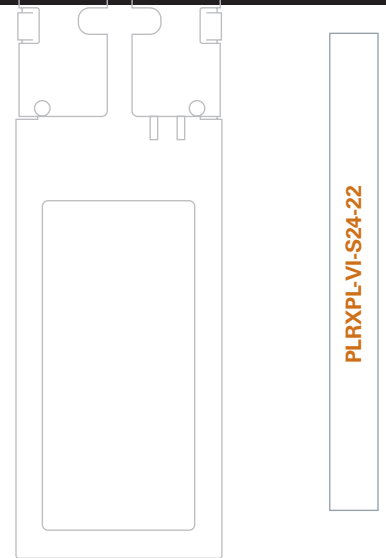
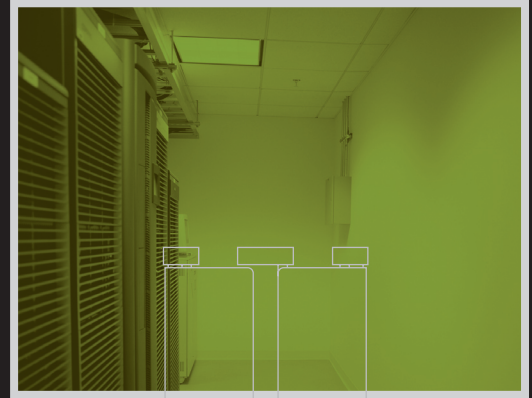


PLRXPL-VI-S24-22

RoHS-Compliant 2.125, 1.25 and 1.063 Gbps 850 nm eSFP Transceiver

Picolight Components set the standard for performance and quality



www.DataSheet4U.com

This lead-free and RoHS-compliant multi-rate Small Form Factor Pluggable (SFP) transceiver provides superior performance for Fibre Channel and Ethernet applications, and is another in Picolight's family of Accelar products customized for high speed, short reach SAN, and intra-POP applications. The multi-rate feature enables its use in a wider range of system applications. It is fully compliant with FC-PI 100-M5/M6-SN-I, 200-M5/M6-SN-I, and 1000BASE-SX specifications. Picolight's housing provides improved EMI performance for demanding applications. This transceiver features a highly reliable 850 nm oxide vertical-cavity surface-emitting laser (VCSEL) coupled to a LC optical connector. Its small size allows for high-density board designs that, in turn, enable greater total aggregate bandwidth.

HIGHLIGHTS

- **2GFC, 1GFC, and 1GBE triple rate performance** enables flexible system design, and configuration
- **Lead-Free and RoHS-Compliant** per European Directive 2002/95/EC
- **Enhanced Digital Diagnostic** feature set allows real-time monitoring of transceiver performance and system stability.
- **Bail mechanism** enables superior ergonomics and functionality in all port configurations
- **Extended Voltage and Extended Temperature**
- **MSA-compliant small form factor footprint**
- **Serial ID** allows customer and vendor system specific information to be placed in transceiver
- **All-metal housing** provides superior EMI performance

Key Benefits

- Compliant with industry-wide physical and optical specifications
- Lead-free and RoHS-Compliant
- Cost effective SFP solution
- Triple-rate FC/Ethernet performance
- Enables higher port densities
- Enables greater bandwidth
- Proven high reliability

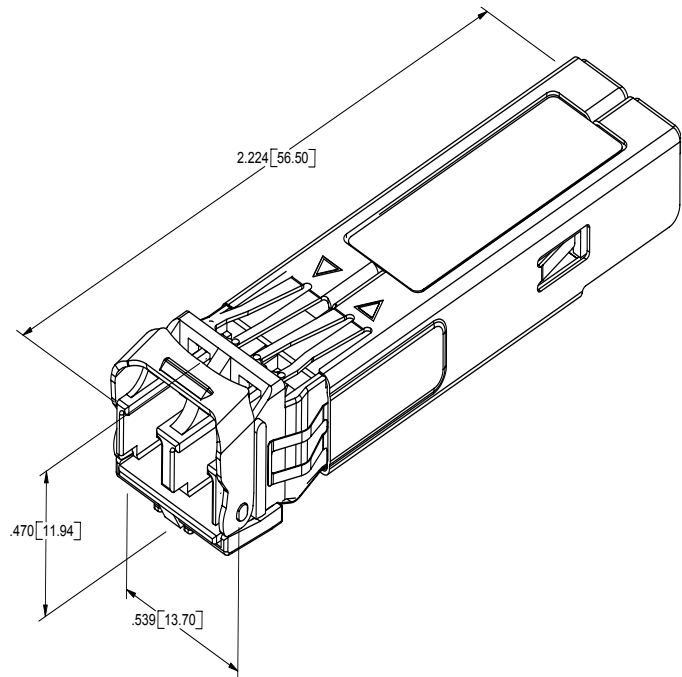
Applications

- High-speed storage area networks
 - Switch and hub interconnect
 - Mass storage systems interconnect
 - Host adapter interconnect
- Computer cluster cross-connect
- Custom high-speed data pipes
- Short-reach Ethernet

PICOLIGHT™

PLRXPL-VI-S24-22 Features

- Utilizes a highly reliable, high-speed, 850nm, oxide VCSEL
- Lead-free and RoHS-compliant
- Hot Pluggable
- Digital Diagnostics; SFF-8472 rev 9.5 compliant
- Compliant with Fibre Channel 200-M5/M6-SN-I and 100-M5/M6-SN-I
- Compliant with 1000BASE-SX, IEEE 802.3
- Low nominal power consumption (400 mW)
- -20°C to 85°C operating temperature range for 2Gbps datarates
- -40°C to 85°C operating temperature range for 1Gbps datarates
- Single +3.3V power supply
- ±10% extended operating voltage range
- Bit error rate < 1×10^{-12}
- OCTransmit disable, loss of signal and transmitter fault functions
- CDRH and IEC 60825-1 Class 1 laser eye safe
- FCC Class B compliant
- ESD Class 2 per MIL-STD 883



An eye-safe, cost effective serial transceiver, the PLRXPL-VI-S24-22 features a small, low power, pluggable package that manufacturers can upgrade in the field, adding bandwidth incrementally. The robust mechanical design features a unique all-metal housing that provides superior EMI shielding.

ORDERING INFORMATION

Part Number	Temp. Range:	Power Supply Tolerance:	Dual Rate Fiber Channel	1000Base-SX	Digital Diagnostics	PCI Compliant
PLRXPL-VI-S24-22	-40 to 85°C 1G -20 to 85°C 2G	±10%	X	X	X	X
Contact Information:	Picolight Incorporated 1480 Arthur Avenue Louisville, CO 80027 USA		Tel: 303.530.3189 Fax: 303.527.4961 Email: sales@picolight.com Web site: www.picolight.com			

SECTION 1 FUNCTIONAL DESCRIPTION

The PLRXPL-VI-S24-22 850 nm VCSEL Gigabit Transceiver is designed to transmit and receive 8B/10B encoded serial optical data over 50/125 μm or 62.5/125 μm multimode optical fiber.

Transmitter

The transmitter converts 8B/10B encoded serial PECL or CML electrical data into serial optical data meeting the requirements of 100-M5/M6-SN-I, 200-M5/M6-SN-I Fibre Channel specifications and 1000BASE-SX Ethernet. Transmit data lines (TD+ & TD-) are internally AC coupled with 100 Ω differential termination.

An open collector compatible Transmit Disable (Tx_Dis) is provided. This pin is internally terminated with a 10 k Ω resistor to Vcc_T. A logic "1," or no connection on this pin will disable the laser from transmitting. A logic "0" on this pin provides normal operation.

The transmitter has an internal PIN monitor diode that is used to ensure constant optical power output across supply voltage and temperature variations.

An open collector compatible Transmit Fault (TFault) is provided. The Transmit Fault signal must be pulled high on the host board for proper operation. A logic "1" output from this pin indicates that a transmitter fault has occurred, or the part is not fully seated and the transmitter is disabled. A logic "0" on this pin indicates normal operation.

Receiver

The receiver converts 8B/10B encoded serial optical data into serial PECL/CML electrical data. Receive data lines (RD+ & RD-) are internally AC coupled with 100 Ω differential source impedance, and must be terminated with a 100 Ω differential load.

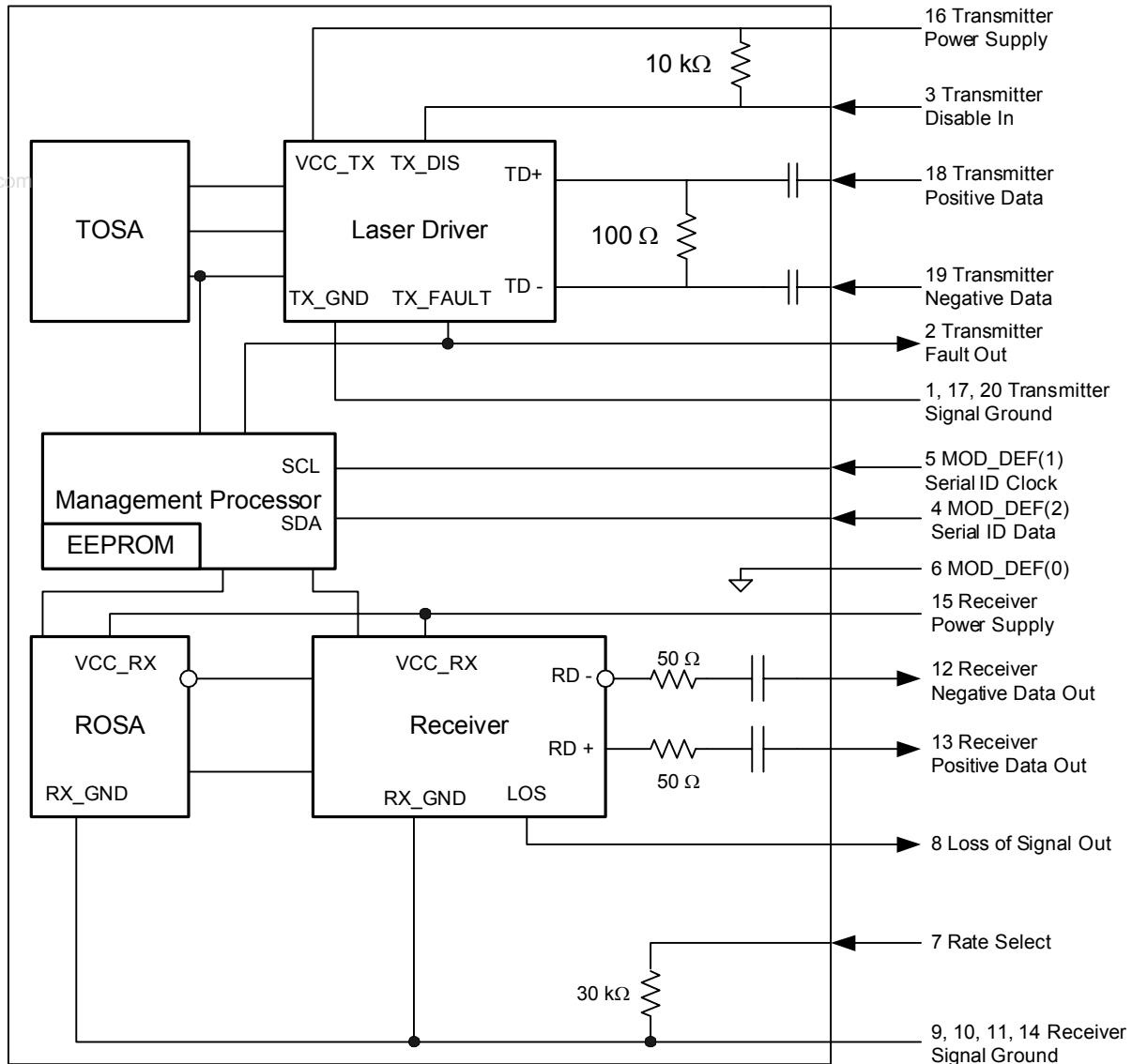
The receiver's bandwidth has been optimized for fully compliant operation at 2.125, 1.25 and 1.063 Gbps line rates without the use of rate select. Rate select pin 7 has no effect.

An open collector compatible Loss of Signal is provided. The LOS must be pulled high on the host board for proper operation. A logic "0" indicates that light has been detected at the input to the receiver (see Section 2.5 Optical characteristic, Loss of Signal Assert/Deassert Time on page 9). A logic "1" output indicates that insufficient light has been detected for proper operation.

Power supply filtering is recommended for both the transmitter and receiver. Filtering should be placed on the host assembly as close to the Vcc pins as possible for optimal performance.

Recommended "Application Schematics" are shown in Figure 2 on page 5.

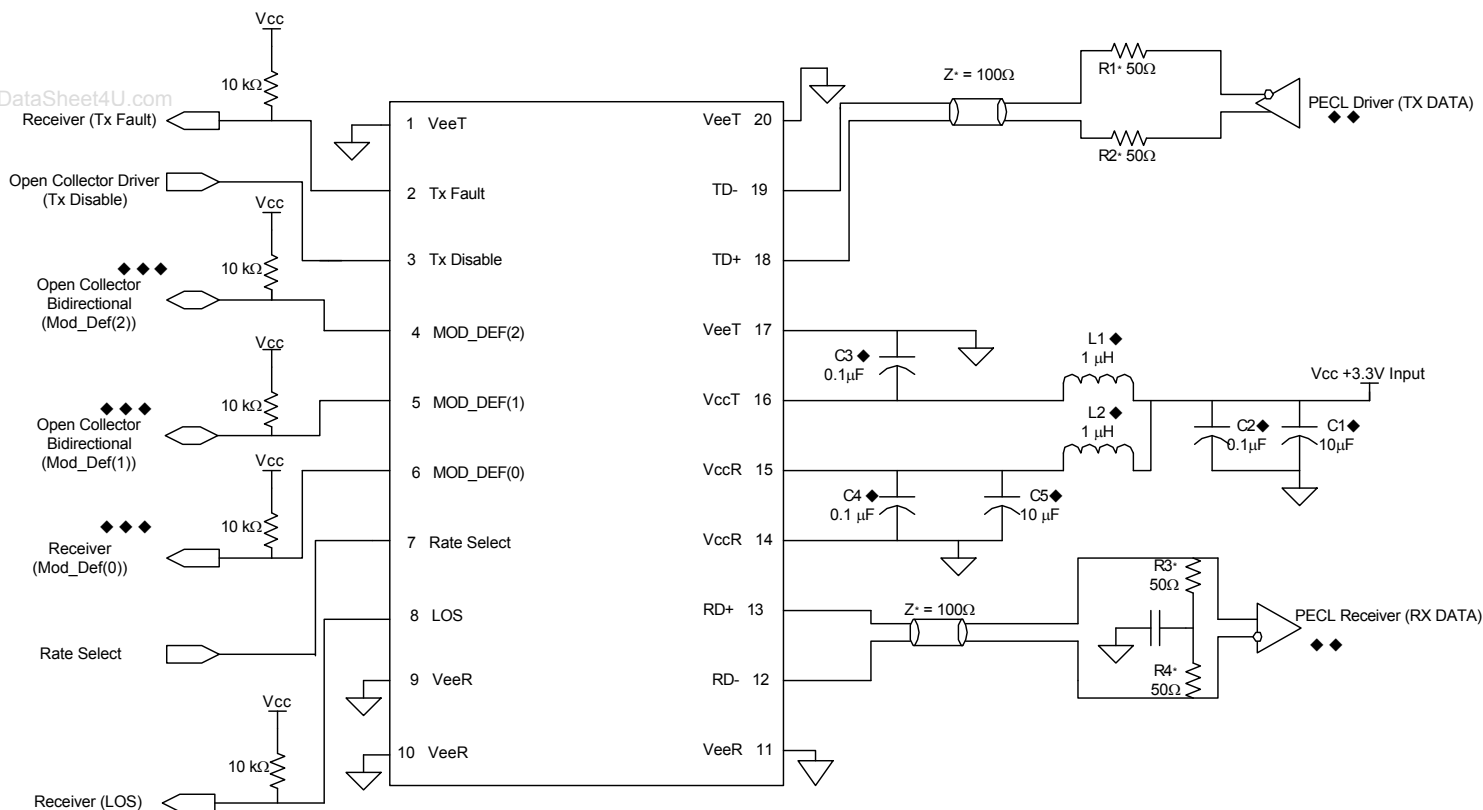
Figure 1 Block diagram



SECTION 2 APPLICATION SCHEMATICS

Recommended connections to the PLRXPL-VI-S24-22 transceiver are shown in figure 2 below.

Figure 2 Recommended application schematic for the PLRXPL-VI-S24-22 transceiver



Notes

- ◆ Power supply filtering components should be placed as close to the V_{cc} pins of the host connector as possible for optimal performance.
- ◆◆ PECL driver and receiver will require biasing networks. Please consult application notes from suppliers of these components. CML I/O on the PHY are supported.
- ◆◆◆ MOD_DEF(2) and MOD_DEF(1) should be bi-directional open collector connections in order to implement serial ID (MOD_DEF[0,1,1]) PLRXPL-VI-S24-22 transceiver.
- ◆◆◆◆ R1 and R2 may be included in the output of the PHY. Check application notes of the IC in use.
- * Transmission lines should be 100 Ω differential traces. It is recommended that the termination resistor for the PECL Receiver (R3 + R4) be placed beyond the input pins of the PECL Receiver. Series Source Termination Resistors on the PECL Driver (R1+R2) should be placed as close to the driver output pins as possible

2.1 Technical data

Technical data related to the RoHS-Compliant 2.125, 1.25 and 1.063 Gbps 850 nm eSFP Transceiver includes:

- Section 2.2 Pin function definitions below
- Section 2.3 Absolute maximum ratings on page 8
- Section 2.4 Electrical characteristics on page 8
- Section 2.5 Optical characteristic on page 9
- Section 2.6 Link length on page 11
- Section 2.7 Regulatory compliance on page 12
- Section 2.8 PCB layout on page 13
- Section 2.9 Front panel opening on page 14
- Section 2.10 Module outline on page 14
- Section 2.11 Transceiver belly-to-belly mounting on page 15

2.2 Pin function definitions

Figure 3 Transceiver pin descriptions

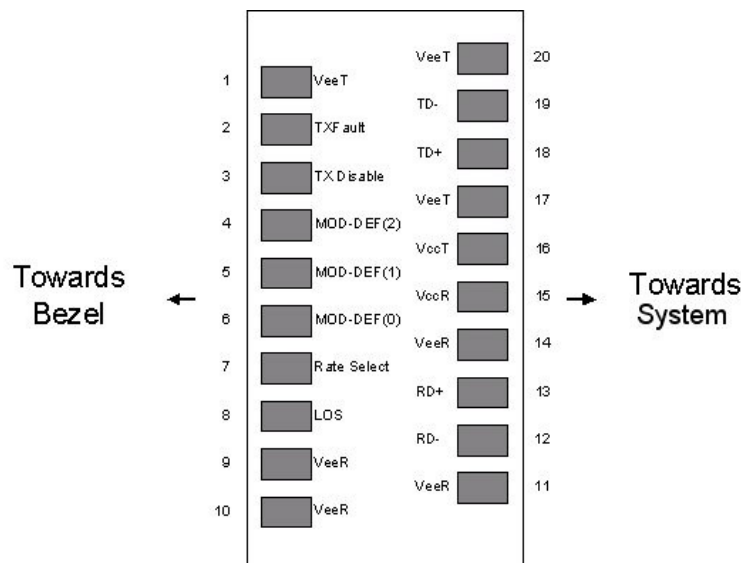


Table 1 Transceiver pin descriptions

Pin Number	Symbol	Name	Description
Receiver			
8	LOS	Loss of Signal Out (OC)	Sufficient optical signal for potential BER < 1x10 ⁻¹² = Logic "0" Insufficient optical signal for potential BER < 1x10 ⁻¹² = Logic "1" This pin is open collector compatible, and should be pulled up to Host Vcc with a 10 kΩ resistor.
9, 10, 11, 14	VeeR	Receiver Signal Ground	These pins should be connected to signal ground on the host board.
12	RD-	Receiver Negative DATA Out (PECL)	Light on = Logic "0" Output Receiver DATA output is internally AC coupled and series terminated with a 50 Ω resistor.
13	RD+	Receiver Positive DATA Out (PECL)	Light on = Logic "1" Output Receiver DATA output is internally AC coupled and series terminated with a 50 Ω resistor.
15	VccR	Receiver Power Supply	This pin should be connected to a filtered +3.3V power supply on the host board. See Application schematics on page 5 for filtering suggestions.
7	Rate	Rate Select (LVTTTL)	This pin has an internal 30K pulldown to ground. An input signal will not affect module performance
Transmitter			
3	TX Disable	Transmitter Disable In (LVTTTL)	Logic "1" Input (or no connection) = Laser off Logic "0" Input = Laser on This pin is internally pulled up to Vcc _T with a 10 kΩ resistor.
1, 17, 20	VeeT	Transmitter Signal Ground	These pins should be connected to signal ground on the host board.
2	TX Fault	Transmitter Fault Out (OC)	Logic "1" Output = Laser Fault (Laser off before t _{fault}) Logic "0" Output = Normal Operation This pin is open collector compatible, and should be pulled up to Host Vcc with a 10 kΩ resistor.
16	VccT	Transmitter Power Supply	This pin should be connected to a filtered +3.3V power supply on the host board. See Application schematics on page 5 for filtering suggestions.
18	TD+	Transmitter Positive DATA In (PECL)	Logic "1" Input = Light on Transmitter DATA inputs are internally AC coupled and terminated with a differential 100 Ω resistor.
19	TD-	Transmitter Negative DATA In (PECL)	Logic "0" Input = Light on Transmitter DATA inputs are internally AC coupled and terminated with a differential 100 Ω resistor.
Module Definition			
6, 5, 4	MOD_DEF (0:2)	Module Definition Identifiers	Serial ID with SFF 8472 Diagnostics (See section 3.1) Module Definition pins should be pulled up to Host Vcc with 10 kΩ resistors.

2.3 Absolute maximum ratings

Parameter	Symbol	Ratings	Unit
Storage Temperature	T_{st}	-40 to +95	°C
Operating Case Temperature	T_c	-40 to 85	°C
Power Supply Voltage	V_{cc}	0 to +4.0	V
Transmitter Differential Input Voltage	V_D	2.5	V_{P-P}
Relative Humidity	RH	5 to 95	%

2.4 Electrical characteristics

Parameter	Symbol	Min	Typical	Max	Unit	Notes
Supply Voltage	V_{cc}	2.97	3.3	3.63	V	
Data Rate		1.0	2.125	2.2	Gbps	BER < 1×10^{-12}
Operating Temperature Range	T_c	-40		85	°C	for 1G datarates
	T_c	-20		85	°C	for 2G datarates
Transmitter						
Supply Current	I_{CCT}		40	70	mA	
Data Input Voltage Swing	V_{TDP-P}	250	800	2200	mV_{P-P}	Differential, peak to peak
Data Input Rise/Fall Time		60		175	ps	20% - 80%, Differential 2 GBd operation ³
		60		350	ps	20% - 80%, Differential 1 GBd operation ³
Data Input Skew				20	ps	
Data Input Deterministic Jitter	DJ			0.12	UI	$\pm K28.5$ pattern, δ_T @ 1.062 Gbps ^{1,5}
Data Input Deterministic Jitter	DJ			0.14	UI	$\pm K28.5$ pattern, δ_T @ 2.125 Gbps ^{1,5}
Data Input Deterministic Jitter	DJ			0.1	UI	$\pm K28.5$ pattern, TP1, @ 1.25 Gbps ^{1,5}
Data Input Total Jitter	TJ			0.25	UI	2 ⁻¹ pattern, δ_T BER < 1×10^{-12} , @ 1.062 Gbps ^{1,5}
Data Input Total Jitter	TJ			0.26	UI	2 ⁻¹ pattern, δ_T BER < 1×10^{-12} , @ 2.125Gbps ^{1,5}
Data Input Total Jitter	TJ			0.24	UI	2 ⁻¹ pattern, TP1, BER < 1×10^{-12} , @ 1.25 Gbps ^{1,5}
Transmit Disable Voltage Level	V_{IH}	$V_{cc} - 1.0$		V_{cc}	V	Laser output disabled after T_{TD} if input level is V_{IH} ; Laser output enabled after T_{TEN} if input level is V_{IL}
	V_{IL}	0		0.8	V	
Transmit Disable/Enable Assert Time	T_{TD}			10	μs	
	T_{TEN}			1	ms	

2.4 Electrical characteristics (continued)

Parameter	Symbol	Min	Typical	Max	Unit	Notes
Transmit Fault Output Voltage Level	V_{OH}	$V_{CC} - 0.5$		V_{CC}	V	Transmit fault level is V_{OH} and Laser output disabled T_{Fault} after laser fault.
	V_{OL}	0		0.5	V	
Transmit Fault Assert and Reset Times	T_{Fault}			100	μs	Transmitter fault is V_{OL} and Laser output restored T_{INI} after transmitter disable is asserted for T_{Reset} , then disabled.
	T_{Reset}	10			μs	
Initialization Time	T_{INI}			300	ms	After Hot Plug or $V_{CC} \geq 2.97V$
Receiver						
Supply Current	I_{CCR}		85	120	mA	
Data Output Voltage Swing		600			mV _{p-p}	$R_{LOAD} = 100 \Omega$, Differential
Data Output Rise/Fall Time			90	200	ps	20% - 80%, Differential
Data Output Skew				50	ps	$R_{LOAD} = 100 \Omega$, Differential
Data Output Deterministic Jitter	DJ			0.36	UI	$\pm K28.5$ pattern, $\delta_{R'} @ 1.062$ Gbps ^{1,9}
	DJ			0.39	UI	$\pm K28.5$ pattern, $\delta_{R'} @ 2.125$ Gbps ^{1,5}
	DJ			0.46	UI	$\pm K28.5$ pattern, TP4, @ 1.25Gbps ^{1,5}
Total Jitter	TJ			0.61	UI	2 ⁻¹ pattern, $\delta_{R'}$ BER < 1×10^{-12} @ 1.062 Gbps ^{1,5}
	TJ			0.64	UI	2 ⁻¹ pattern, $\delta_{R'} @ 2.125$ Gbps ^{1,5}
	TJ			0.75	UI	2 ⁻¹ pattern, TP4, @ 1.25Gbps ¹
Loss of Signal Voltage Level	V_{OH}	$V_{CC} - 0.5$		V_{CC}	V	LOS output level V_{OL} T_{LOSD} after light input > LOSD ²
	V_{OL}	0		0.5	V	
Loss of Signal Assert/Deassert Time	T_{LOSA}			100	μs	LOS output level V_{OH} T_{LOSA} after light input < LOSA ²
	T_{LOSD}			100	μs	

2.5 Optical characteristics

Parameter	Symbol	Min.	Typical	Max	Unit	Notes
Transmitter						
Wavelength	λ_p	830	850	860	nm	
RMS Spectral Width	$\Delta\lambda$		0.5	0.85	nm	
Average Optical Power	P_{AVG}	-9.5		-2.5	dBm	
Optical Output Rise/Fall Time	$t_{rise/fall}$			150	ps	20% - 80%
Optical Modulation Amplitude	OMA	200	500	1125	μW	
Extinction Ratio	ER	9			dB	
Deterministic Jitter	DJ			0.21	UI	$\pm K28.5$ pattern, $\gamma_T @ 1.062$ Gbps ^{1,5}

2.5 Optical characteristics (continued)

Parameter	Symbol	Min.	Typical	Max	Unit	Notes
Deterministic Jitter	DJ			0.26	UI	±K28.5 pattern, γ_T @ 2.125 Gbps ^{1,5}
Deterministic Jitter	DJ			0.20	UI	±K28.5 pattern, TP2, @ 1.25 Gbps ^{1,5}
Total Jitter	TJ			0.43	UI	2 ² -1 pattern, γ_T @ 1.062 Gbps, ^{1,5}
Total Jitter	TJ			0.44	UI	2 ² -1 pattern, γ_T @ 2.125 Gbps ^{1,5}
Total Jitter	TJ			0.43	UI	2 ² -1 pattern, TP2, @ 1.25 Gbps ^{1,5}
Relative Intensity Noise	RIN ₁₂ OMA		-125	-117	dB/Hz	2GHz, 12 dB reflection
Receiver						
Wavelength	λ	770	850	860	nm	
Maximum Input Power	Pm	0			dBm	
Sensitivity (OMA)	S ₁		12	31	μW_{P-P}	1 Gbps operation, maximum is equivalent to -17dBm @9dB ER
	S ₂		16	49	μW_{P-P}	2 Gbps operation
Stressed Sensitivity (OMA)	ISI = 0.96 dB	55			μW_{P-P}	1.0625G operation
	ISI = 2.18 dB	67				
S _{S1.1}	ISI = 2.2 dB	69			μW_{P-P}	1.25G operation
	ISI = 2.6 dB	87				
S _{S1.25}	ISI = 1.26 dB	96			μW_{P-P}	2.125G operation
	ISI = 2.03 dB	109				
Ss2.1						
Loss of Signal Assert/Deassert Level	LOSD		-21	-17	dBm	Chatter Free Operation
	LOSA	-30			dBm	
Low Frequency Cutoff	F _c		0.2	0.3	MHz	-3 dB, P<-16 dBm

2.6 Link Length

Data Rate / Standard	Fiber Type	Modal Bandwidth @ 850 nm (MHz*km)	Distance Range (m)	Notes
1.0625 GBd Fibre Channel 100-M5-SN-I 100-M6-SN-I	62.5/125 μm MMF	200	.5 to 300	6
	50/125 μm MMF	500	.5 to 500	6
	50/125 μm MMF	900	.5 to 630	6
	50/125 μm MMF	1500	.5 to 755	6
	50/125 μm MMF	2000	.5 to 860	6
1.25 Gbps IEEE 802.3 1000Base-SX	62.5/125 μm MMF	200	.5 to 275	6
	50/125 μm MMF	500	.5 to 550	6
	50/125 μm MMF	900	.5 to 595	6
	50/125 μm MMF	1500	.5 to 740	6
	50/125 μm MMF	2000	.5 to 860	6
2.125 GBd Fibre Channel 200-M5-SN-I, 200- M6-SN-I	62.5/125 μm MMF	200	.5 to 150	6
	50/125 μm MMF	500	.5 to 300	6
	50/125 μm MMF	900	.5 to 350	6
	50/125 μm MMF	1500	.5 to 430	6
	50/125 μm MMF	2000	.5 to 500	6

Specification notes

1. UI (Unit Interval): one UI is equal to one bit time. For example, 2.125 Gbits/s corresponds to a UI of 470.588ps.
2. For LOSA and LOSD definitions see Loss of Signal Assert/Deassert Level in Section 2.5 Optical characteristic on page 10.
3. When operating the transceiver at 1.0 - 1.3 Gbaud only, a slower input rise and fall time is acceptable. If it is planned to operate the module in the 1.0 - 2.12 Gbaud range, faster input rise and fall times are required.
4. Measured with stressed eye pattern as per FC-PI (Fibre Channel) and 1000BASE-SX using the worst case specifications.
5. All jitter measurements performed with worst case input jitter according to FC-PI and 1000BASE-SX.
6. Distances, shown in the "Link Length" table, are the distances specified in the Fibre Channel and Ethernet standards. "Link Length" distances are calculated for worst case fiber and transceiver characteristics based on the optical and electrical specifications shown in this document using techniques utilized in IEEE 802.3 (Gigabit Ethernet). In the nominal case, longer distances are achievable.

2.7 Regulatory compliance

The PLRXPL-VI-S24-22 complies with common ESD, EMI, Immunity, and Component recognition requirements and specification (see details in Table 2 below).

The PLRXPL-VI-S24-22 is lead-free and RoHS-compliant per Directive 2002/95/EC of the European Parliament and of the Council of 27 January 2003 on the restriction of the use of certain hazardous substances in electrical and electronic equipment.

ESD, EMI, and Immunity are dependent on the overall system design. Information included herein is intended as a figure of merit for designers to use as a basis for design decisions.

Table 2 Regulatory compliance

Feature	Test Method	Performance
Laser Eye Safety	U.S. 21CFR (J) 1040.10 & 1040.11 IEC 60825	CDRH compliant and Class 1 laser safe. Accession # 9922782
Electrostatic Discharge (ESD) to electrical pins	MIL-STD 883; Method 3015.7	Class 1 (> 1 kV)
Electrostatic Discharge (ESD) to optical connector	IEC 61000-4-2: 1999	Withstand discharges of 15 kV using a "Human Body Model" probe
Electromagnetic Interference (EMI)	FCC Part 15 Subpart J Class B CISPR 22: 2003 Class B EN 55022: 1998 Class B VCCI Class I	Noise frequency range: 30 MHz to 10 GHz. Good system EMI design practice required to achieve Class B margins.
Immunity	IEC 61000-4-3: 1998 EN 55024:1998	Field strength of 3 V/m RMS, from 10 MHz to 1 GHz. No effect on transceiver performance is detectable between these limits.
Lead-free and RoHS-Compliant	Directive 2002/95/EC	Compliant per the Directive 2002/95/EC of the European Parliament and of the Council of 27 January 2003 on the restriction of the use of certain hazardous substances in electrical and electronic equipment
Component	UL 1950 IEC 60950-1: 2001	UL File # E209897 TUV Certificate # DE 3-52702M1

2.8 PCB Layout

Figure 4 Board layout

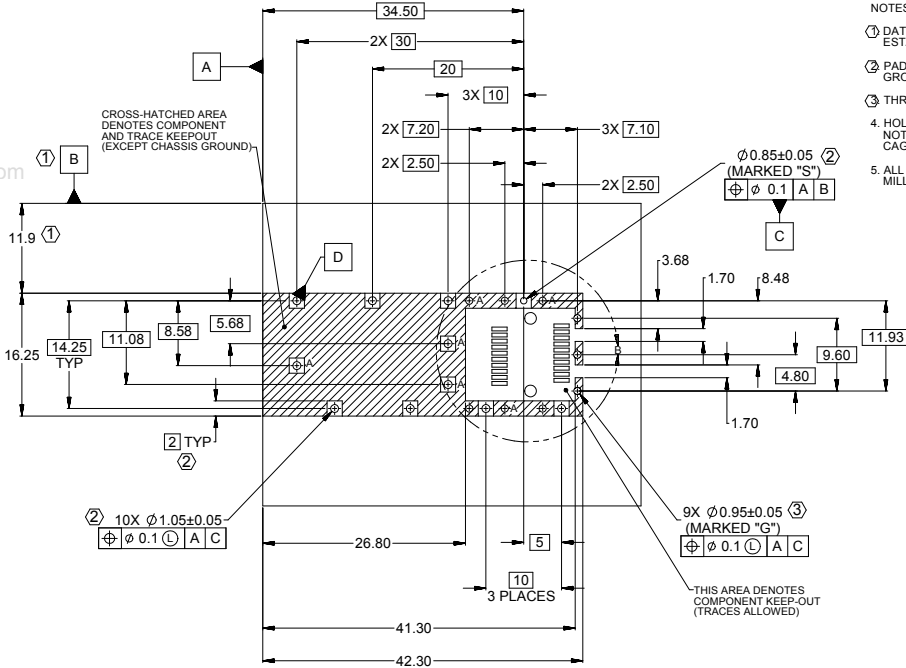
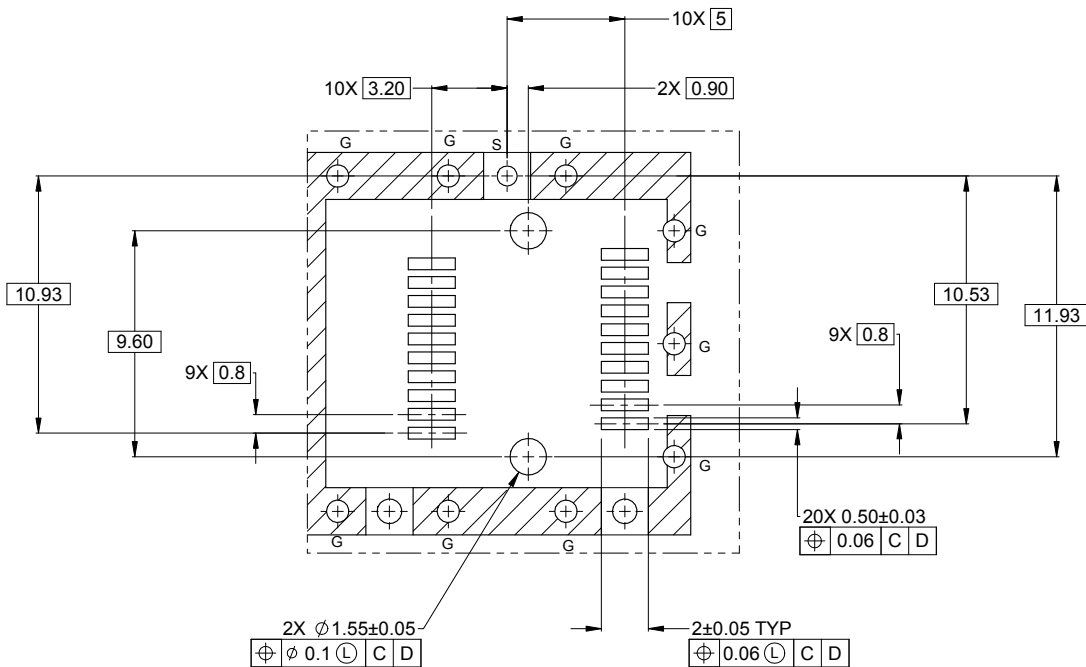


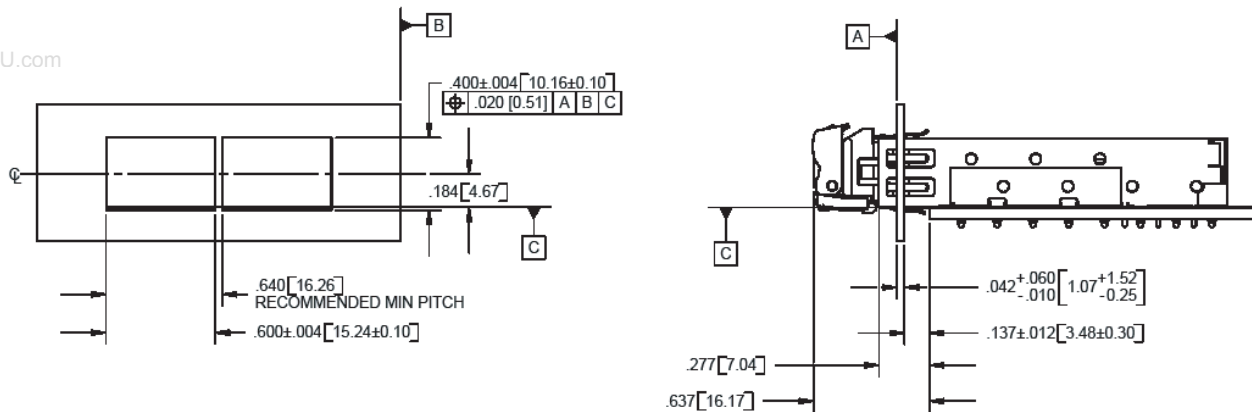
Figure 5 Detail layout



ALL DIMENSIONS ARE IN MILLIMETERS

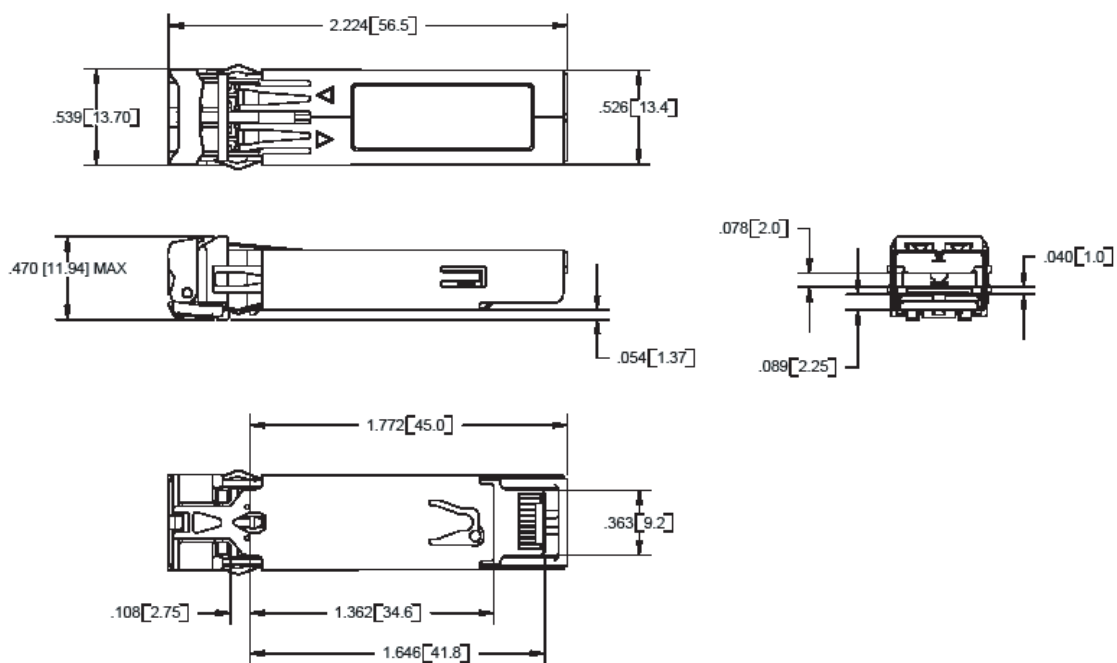
2.9 Front panel opening

Figure 6



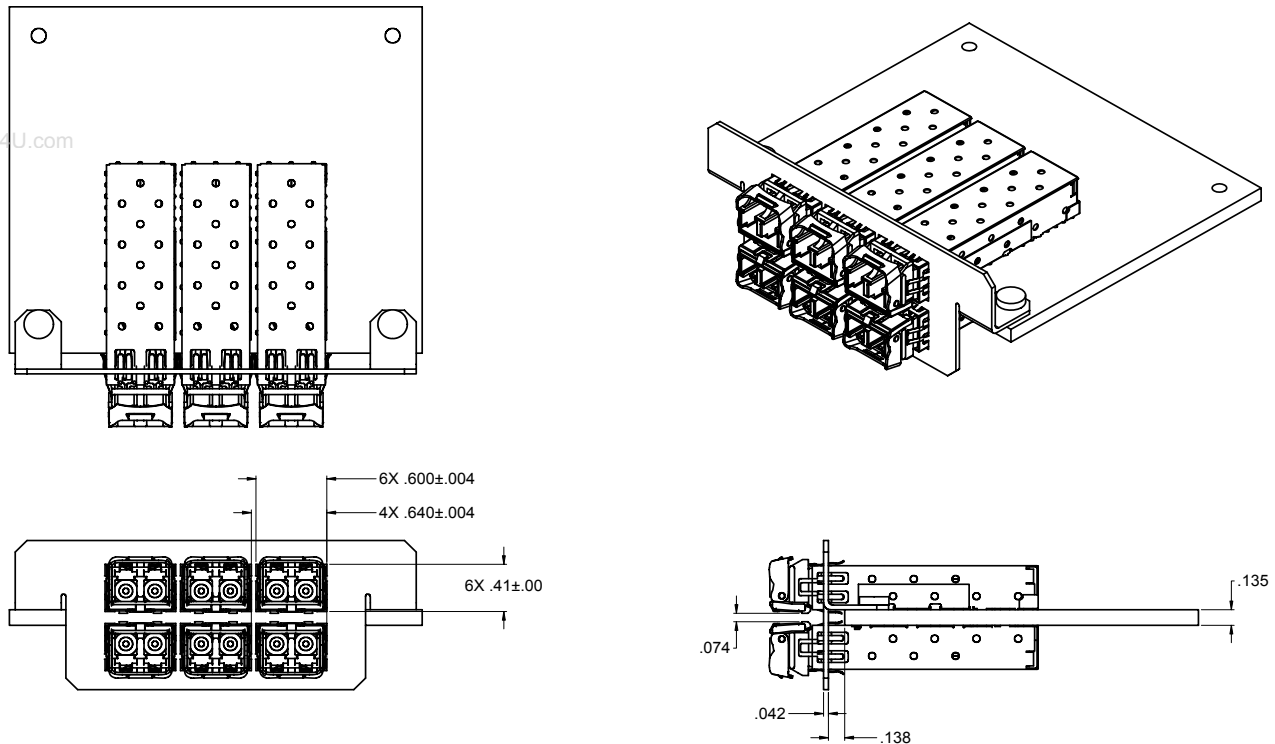
2.10 Module outline

Figure 7



2.11 Transceiver belly-to-belly mounting

Figure 8



All dimensions in inches

SECTION 3 RELATED INFORMATION

Other information related to the RoHS-Compliant 2.125, 1.25 and 1.063 Gbps 850 nm eSFP Transceiver includes:

- Section 3.1 Digital Diagnostic Monitoring and Serial ID Operation below
- Section 3.2 Package and handling instructions on page 20
- Section 3.3 ESD Discharge (ESD) on page 20
- Section 3.4 Eye safety on page 20

3.1 Digital Diagnostic Monitoring and Serial ID Operation

The PLRXPL-VI-S24-22 is equipped with a 2-wire serial EEPROM that is used to store specific information about the type/identification of the transceiver as well as real-time digitized information relating to the transceiver's performance. See Section IV, "Module Definition Interface and Data Field Description" of the SFP-MSA Pin Definitions and Host Board Layout document for memory/address organization of the identification data and the Small Form Factor Committee's document

number SFF-8472 Rev 9.5, dated June 1, 2004 for memory/address organization of the digital diagnostic data.

The enhanced digital diagnostics feature monitors five key transceiver parameters which are Internally Calibrated and should be read as absolute values and interpreted as follows;

Transceiver Temperature in degrees Celsius: Internally measured. Represented as a 16 bit signed two's complement value in increments of 1/256 degrees Celsius from -40 to +125 degrees C with LSB equal to 1/256 degrees C. Accuracy is ± 3 degrees Celsius over the specified operating temperature and voltage range.

Vcc/Supply Voltage in Volts: Internally measured. Represented as a 16 bit unsigned integer with the voltage defined as the full 16 bit value(0-65535) with LSB equal to 100 μ V with a measurement range of 0 to +6.55V. Accuracy is $\pm 3\%$ of nominal value over the specified operating temperature and voltage ranges.

TX Bias Current in μ A: Represented as a 16 bit unsigned integer with current defined as the full 16 bit value(0-65535) with LSB equal to 2 μ A with a measurement range of 0 - 131mA. Accuracy is $\pm 10\%$ of nominal value over the specified operating temperature and voltage ranges.

TX Output Power in mW: Represented as a 16 bit unsigned integer with the power defined as the full 16 bit value (0-65535) with LSB equal to 0.1 μ W. Accuracy is ± 2 dB over the specified temperature and voltage ranges over the range of 100 μ W to 800 μ W(-10dBm to -1dBm). Data is not valid when transmitter is disabled.

RX Received Optical Power in mW: Represented as average power as a 16 bit unsigned integer with the power defined as the full 16 bit value(0-65535) with LSB equal to 0.1 μ W. Accuracy over the specified temperature and voltage ranges is ± 3 dB from 30 μ W to 1000 μ W (-15dBm to 0dBm).

Reading the data

The information is accessed through the MOD_DEF(1), and MOD_DEF(2) connector pins of the module. The specification for this EEPROM (ATMEL AT24CO1A family) contains all the timing and addressing information required for accessing the data.

The device address used to read the Serial ID data is 1010000X(A0h), and the address to read the diagnostic data is 1010001X(A2h) . Any other device addresses will be ignored. Refer to Table 3, Table 4, and Table 5 for information regarding addresses and data field descriptions

MOD_DEF(0), pin 6 on the transceiver, is connected to Logic 0 (Ground) on the transceiver.

MOD_DEF(1), pin 5 on the transceiver, is connected to the SCL pin of the EEPROM.

MOD_DEF(2), pin 4 on the transceiver, is connected to the SDA pin of the EEPROM.

The EEPROM WP pin is internally tied to ground with no external access, allowing write access to the customer-writable field(bytes 128-247 of address 1010001X). Note: address bytes 0-127 are not write protected and may cause diagnostic malfunctions if written over.

Decoding the data

The information stored in the EEPROM including organization is defined in the Small Form-Factor Pluggable Multisource (SFP-MSA) Pin Definitions and Host Board Layout document, dated 3/13/00, Section IV. The digital diagnostic information stored in the EEPROM is defined in the Small Form-Factor document SFF-8472 draft rev 9.5, dated June 1, 2004.

www.DataSheet4U.com

Table 3 Data Field Descriptions

Address(1010000X)(A0h)		Address(1010001X)(A2h)	
0	Serial ID Information; Defined by SFP MSA	0	Alarm and Warning Limits
95		55	Reserved for External Calibration Constants
127		95	Real Time Diagnostic Information
	Picolight Specific Information	119	Picolight Specific Information
	Reserved for SFP MSA	127	Non-volatile, customer- writeable, field-writeable area
255		247	
		255	Picolight Specific Information

Table 4 Serial ID Data and Map

Address (1010000X)(A0h)		
Memory Address	Value	Comments
0	03	SFP Transceiver
1	04	SFP with Serial ID
2	07	LC Connector
3-10	0000000120400C05	850nm, multi-mode, 1.062/2.125 FC, Intermediate Distance and 1000Base-SX
11	01	8B10B encoding mechanism
12	15	Nominal Bit rate of 2.125Gbps
13	00	Reserved
14	00	Single mode fiber not supported
15	00	Single mode fiber not supported
16	1E	300 meters of 50/125 um fiber
17	0F	150 meters of 62.5/125 um fiber
18	00	Copper not supported
19	00	Reserved
20-35	PICOLIGHT	Vendor Name (ASCII)
36	00	Reserved
37-39	000485	IEEE Company ID (ASCII)
40-55		Part Number (ASCII)
56-59		Rev of part number (ASCII)
60-61	0352	WaveLength of laser in nm; 850
62		Reserved
63		Check Code; Lower 8 bits of sum from byte 0 through 62
64	00	Reserved
65	1A	No Rate Select, Tx_Disable, Tx Fault, Loss of Signal implemented
66	04	Bit rate max of 2.2Gbps
67	34	Bit rate min of 1.0Gbps
68-83		Serial Number (ASCII)
84-91		Date Code (ASCII)
92	68	Diagnostics monitoring type
93	F0	Digital diagnostics
94	2	Compliance SFF-8472 Rev9.4
95		Check Code; Lower 8 bits of sum from byte 64 through 94

Table 5 Diagnostic Data Map

Memory Address	Value	Address (1010001X)(A2h)	Comments
00-01	Temp High Alarm		MSB at low address
02-03	Temp Low Alarm		MSB at low address
04-05	Temp High Warning		MSB at low address
06-07	Temp Low Warning		MSB at low address
08-09	Voltage High Alarm		MSB at low address
10-11	Voltage Low Alarm		MSB at low address
12-13	Voltage High Warning		MSB at low address
14-15	Voltage Low Warning		MSB at low address
16-17	Bias High Alarm		MSB at low address
18-19	Bias Low Alarm		MSB at low address
20-21	Bias High Warning		MSB at low address
22-23	Bias Low Warning		MSB at low address
24-25	TX Power High Alarm		MSB at low address
26-27	TX Power Low Alarm		MSB at low address
28-29	TX Power High Warning		MSB at low address
30-31	Tx Power Low Warning		MSB at low address
32-33	RX Power High Alarm		MSB at low address
34-35	RX Power Low Alarm		MSB at low address
36-37	RX Power High Warning		MSB at low address
38-39	RX Power Low Warning		MSB at low address
40-55	Reserved		For future monitoring quantities
56-59	RP4		External Calibration Constant
60-63	RP3		External Calibration Constant
64-67	RP2		External Calibration Constant
68-71	RP1		External Calibration Constant
72-75	RP0		External Calibration Constant
76-77	lslope		External Calibration Constant
78-79	loffset		External Calibration Constant
80-81	TPslope		External Calibration Constant
82-83	TPoffset		External Calibration Constant
84-85	Tslope		External Calibration Constant
86-87	Toffset		External Calibration Constant
88-89	Vslope		External Calibration Constant
90-91	Voffset		External Calibration Constant
92-94	Reserved		Reserved
95	Checksum		0_95
90-91	External Calibration Constant		Refer to SFF-8472 rev 9.5
92-94	Reserved		Reserved
95	Checksum		Low order 8 bits of sum from 0-94
96	Temperature MSB		Internal temperature AD values
97	Temperature LSB		
98	Vcc MSB		Internally measured supply voltage AD values
99	Vcc LSB		
100	TX Bias MSB		TX Bias Current AD values
101	TX Bias LSB		
102	TX Power MSB		Measured TX output power AD values
103	TX Power LSB		
104	RX Power MSB		Measured RX input power AD values
105	RX Power LSB		
106	Reserved MSB		For 1st future definition of digitized analog input
107	Reserved LSB		
108	Reserved MSB		For 2nd future definition of digitized analog input
109	Reserved LSB		
110-7	Tx Disable State		Digital State of Tx Disable Pin
110-6	Soft Tx Disable Control		Writing "1" disables laser, this is OR'd with Tx_Disable pin
110-5	Reserved		
110-4	Rate Select State		
110-3	Soft Rate Select Control		
110-2	Tx Fault State		Digital State
110-1	LOS State		Digital State
110-0	Data Ready State		Digital State; "1" until trasnceiver is ready
111	Reserved		Reserved
112-119	Optional alarm & warning flag bits		Refer to SFF-8472 rev 9.5
120-127	Vendor specific		Vendor specific
128-247	User/Customer EEPROM		Field writeable EEPROM
248-255	Vendor specific		Vendor specific

3.2 Package and handling instructions

Process plug

The PLRXPL-VI-S24-22 is supplied with a dust cover. This plug protects the transceiver's optics during standard manufacturing processes by preventing contamination from air borne particles.

Note: It is recommended that the dust cover remain in the transceiver whenever an optical fiber connector is not inserted.

Recommended cleaning and de-greasing chemicals

Picolight recommends the use of methyl, isopropyl and isobutyl alcohols for cleaning.

Do not use halogenated hydrocarbons (e.g. trichloroethane, ketones such as acetone, chloroform, ethyl acetate, MEK, methylene chloride, methylene dichloride, phenol, N-methylpyrrolidone).

Flammability

The PLRXPL-VI-S24-22 housing is made of cast zinc and sheet metal.

3.3 ESD Discharge (ESD)

Handling

Normal ESD precautions are required during the handling of this module. This transceiver is shipped in ESD protective packaging. It should be removed from the packaging and handled only in an ESD protected environment utilizing standard grounded benches, floor mats, and wrist straps.

Test and operation

In most applications, the optical connector will protrude through the system chassis and be subjected to the same ESD environment as the system. Once properly installed in the system, this transceiver should meet and exceed common ESD testing practices and fulfill system ESD requirements.

Typical of optical transceivers, this module's receiver contains a highly sensitive optical detector and amplifier which may become temporarily saturated during an ESD strike. This could result in a short burst of bit errors. Such an event might require that the application re-acquire synchronization at the higher layers (e.g. Serializer/Deserializer chip).

3.4 Eye safety

The PLRXPL-VI-S24-22 is an international Class 1 Laser product per IEC 825, and per CDRH, 21 CFR 1040 Laser Safety Requirements. The PLRXPL-VI-S24-22 is an eye safe device when operated within the limits of this specification.

Operating this product in a manner inconsistent with intended usage and specification may result in hazardous radiation exposure.

CAUTION!

Tampering with this laser based product or operating this product outside the limits of this specification may be considered an act of "manufacturing," and will require, under law, recertification of the modified product with the U.S. Food and Drug Administration (21 CFR 1040).

CAUTION!

The use of optical instruments with this product will increase eye hazard. At the normal operating current, optical output power with an unaided eye can be as much as 30 uW at a wavelength of 850 nm. Approximately ten times this power level could be collected with an eye loupe.

Information in this document is provided in connection with Picolight Incorporated ("Picolight") products. These materials are provided by Picolight as a service to its customers and may be used for informational purposes only. Picolight assumes no responsibility for errors or omissions in these materials. Picolight may make changes to pricing, specifications, and product descriptions at any time, without notice. Picolight makes no commitment to update this information and shall have no responsibility whatsoever for conflicts or incompatibilities arising from future changes to its specification and product descriptions. No license, expressed or implied, to any intellectual property rights is granted by this document. Except as provided in Picolight's Terms and Conditions of Sale for such products, Picolight assumes no liability whatsoever.

THESE MATERIALS ARE PROVIDED "AS IS" WITHOUT WARRANTY OF ANY KIND, EITHER EXPRESSED OR IMPLIED, RELATING TO SALE AND/OR USE OF PICOLIGHT PRODUCTS INCLUDING LIABILITY OR WARRANTIES RELATING TO FITNESS FOR A PARTICULAR PURPOSE, CONSEQUENTIAL OR INCIDENTAL DAMAGES, MERCHANTABILITY, OR INFRINGEMENT OF ANY PATENT, COPYRIGHT OR OTHER INTELLECTUAL PROPERTY RIGHT. PICOLIGHT FURTHER DOES NOT WARRANT THE ACCURACY OR COMPLETENESS OF THE INFORMATION, TEXT, GRAPHICS OR OTHER ITEMS CONTAINED WITHIN THESE MATERIALS. PICOLIGHT SHALL NOT BE LIABLE FOR ANY SPECIAL, INDIRECT INCIDENTAL, OR CONSEQUENTIAL DAMAGES, INCLUDING WITHOUT LIMITATION, LOST REVENUES OR LOST PROFITS, WHICH MAY RESULT FROM THE USE OF THESE MATERIALS.



Picolight Incorporated
1480 Arthur Avenue
Louisville, CO 80027 USA

Tel: 303.530.3189 Fax: 303.527.4961
Email: sales@picolight.com
Web site: www.picolight.com

© 2005 Picolight, Inc. All rights reserved. Picolight Incorporated and the Picolight logo are trademarks or registered trademarks of Picolight Incorporated in the United States and/or select foreign countries. All other company, brand, and product names are marks of their respective holders.