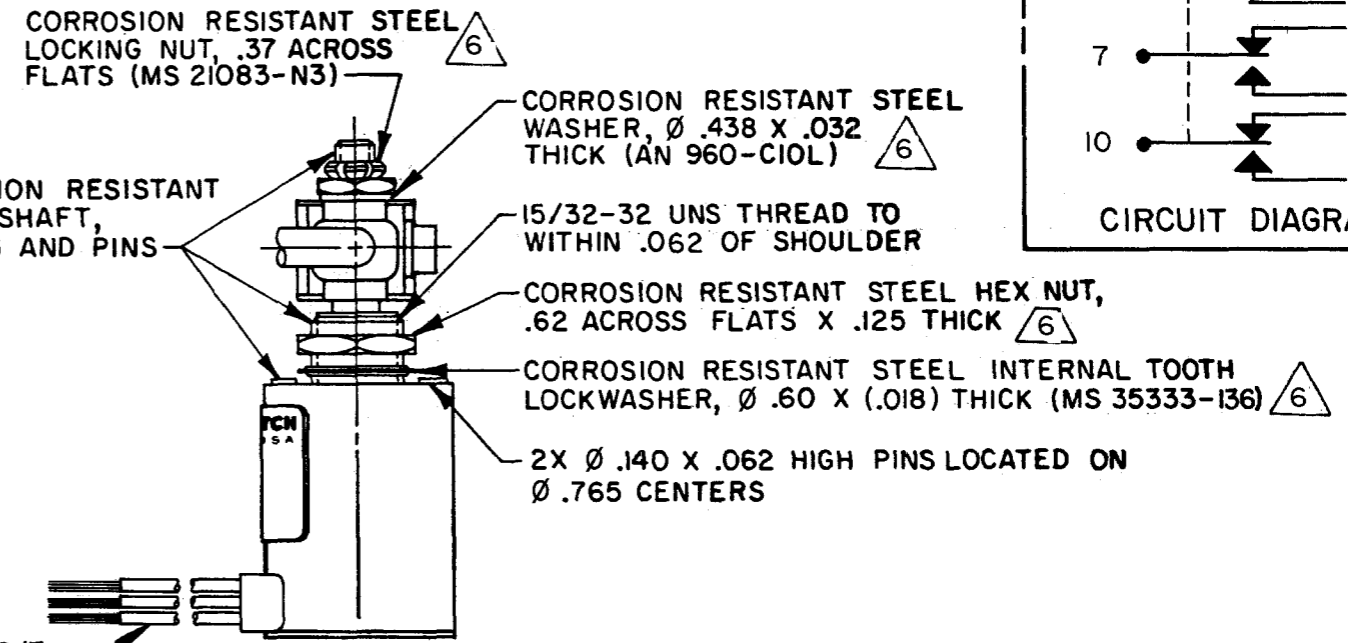
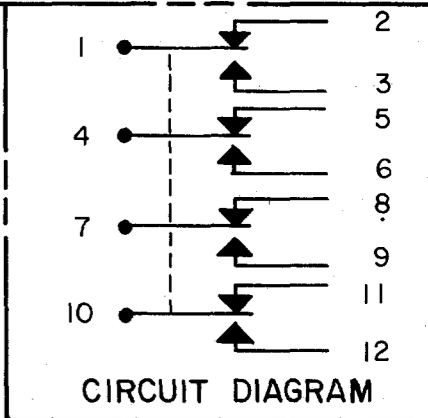
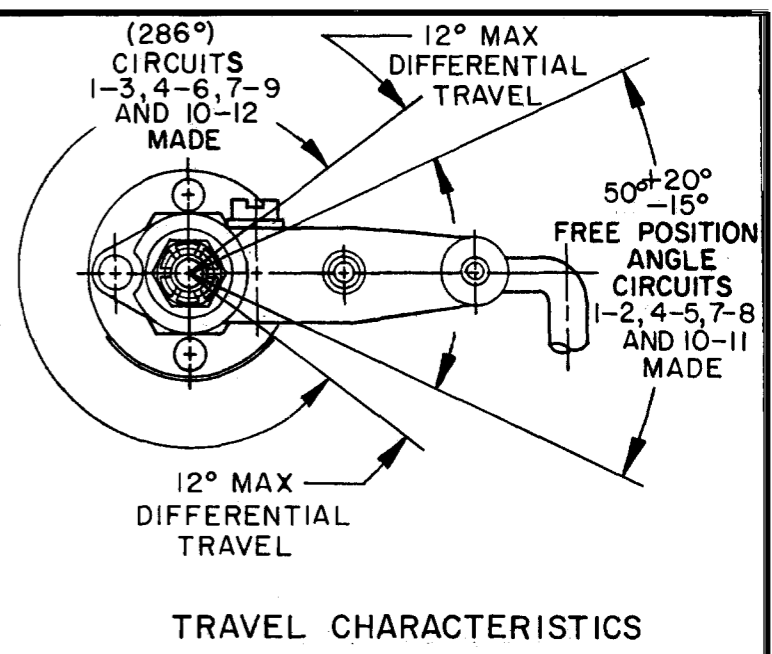
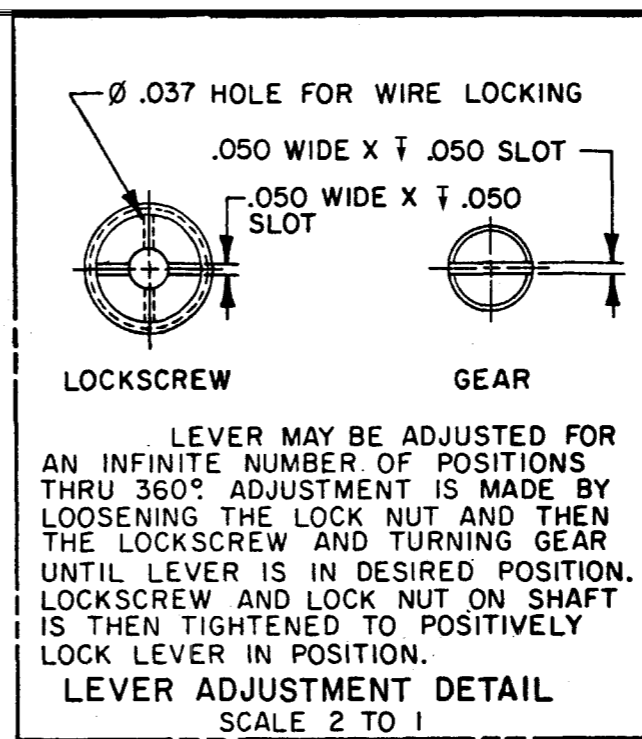
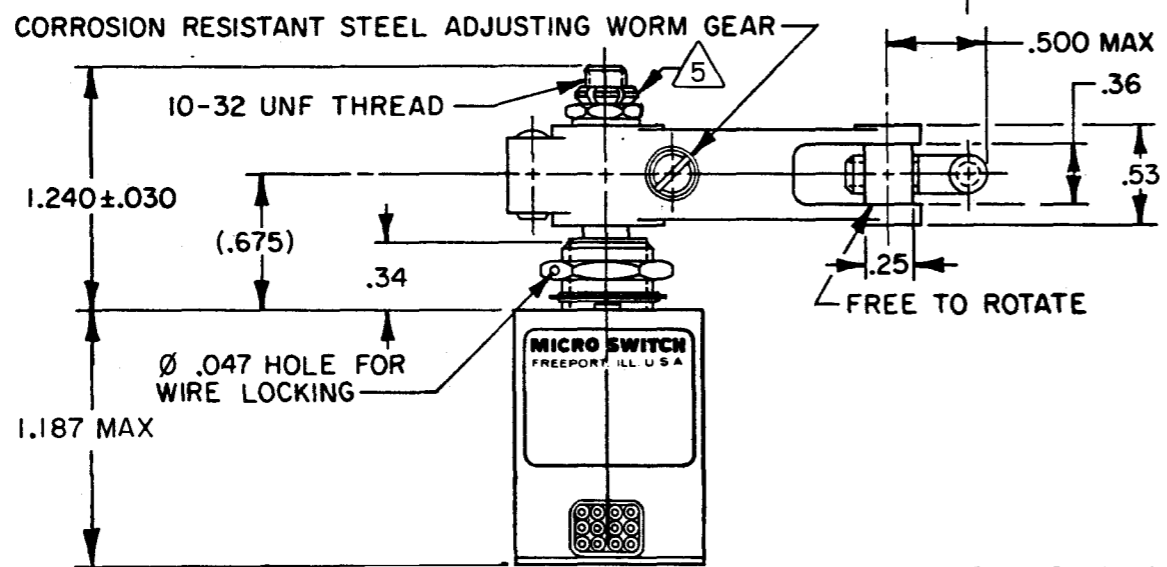
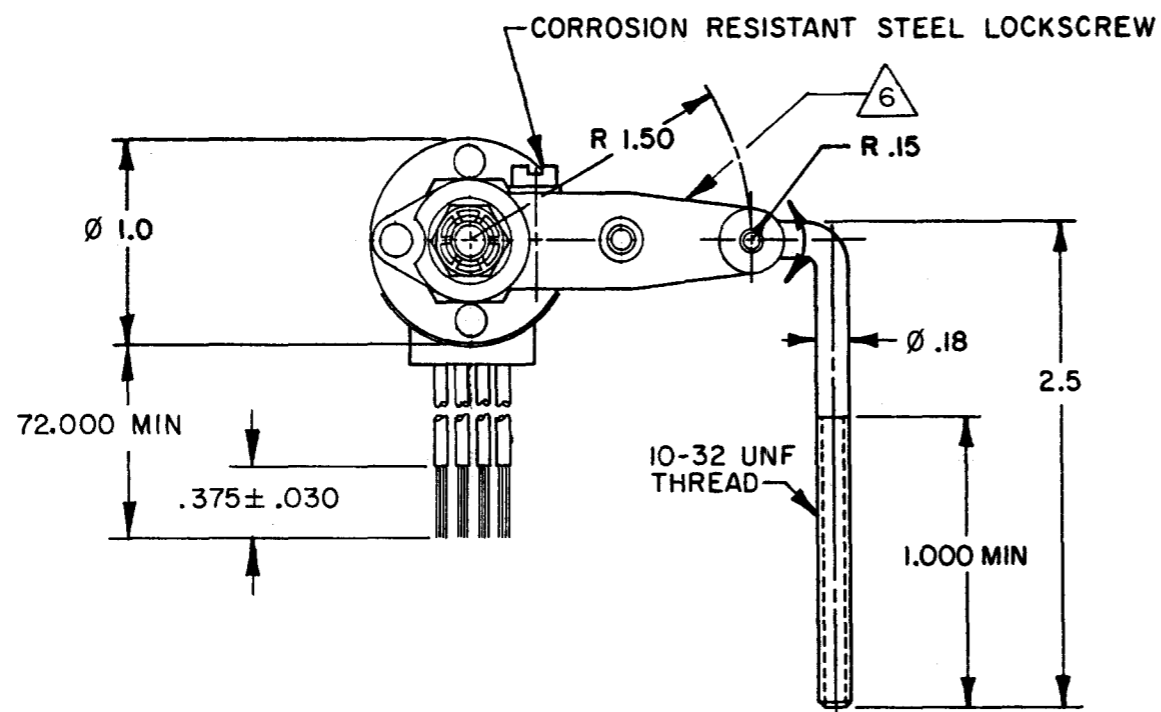


CATALOG LISTING
444EN1-6
PAGE 1 OF 1
REPLACES
RELEASE NO.
ISSUE
32
CHECK
REVISIONS
A C082747
G J W
1 JUN 96
B C093305
D L T
17 OCT 98
CHECK
DRAWN
G J W
1 JUN 96
FORMTEK



12X NO.20 WIRE LEAD PER MIL-W-22759/7 MARKED WITH CIRCUIT IDENTIFICATION AND WIRE GAGE (1-20, 2-20, ET PER MIL-W-5088

- NOTES**
- 1 - CORROSION RESISTANT STEEL ENCLOSURE
 - 2 - SWITCH SEALED PER MIL-S-8805 SYMBOL 4
 - 3 - CIRCUIT DIAGRAM, CAT. LIST., DATE CODE AND FED. MFG. CODE ARE SHOWN ON NAMEPLATE
 - 4 - UNIT PROVIDES NO SHAFT RESTORING TORQUE, THE ACTUATING DEVICE MUST CONTROL MOVEMENT OF THE SHAFT
 - 5 - DO NOT APPLY MORE THAN 20-25 INCH-POUNDS OF TORQUE WHEN TIGHTENING LOCKING NUT
 - 6 - HARDWARE MAY BE PACKAGED UNASSEMBLED PER MIL-S-8805

ANSI Y14.5M-1982 APPLIES

THIS DRAWING COVERS A PROPRIETARY ITEM AND IS THE PROPERTY OF MICRO SWITCH, A DIVISION OF HONEYWELL. THIS DRAWING IS NOT TO BE COPIED OR USED WITHOUT THE APPROVAL OF MICRO SWITCH

CHARACTERISTICS		ELECTRICAL DATA		THIRD ANGLE PROJECTION
OPERATING TORQUE ----- 3 IN LB MAX		CONTACT ARRANGEMENT 4 X S P D T		SCALE FULL
PRETRAVEL		28 VDC		DO NOT SCALE PRINT
DIFFERENTIAL TRAVEL		LOAD	SEA LEVEL	UNLESS OTHERWISE SPECIFIED TOLERANCES ARE
OVERTRAVEL		RES	50,000 FT.	ONE PLACE (.0) $\pm .030$
FREE POSITION		IND	7	TWO PLACE (.00) $\pm .015$
SEE DETAIL		MOTOR	2.5	THREE PLACE (.000) $\pm .005$
		LAMP		ANGLES \pm
		WEIGHT 12.0 OZ MAX		