

PLEASE CHECK WWW.MOLEX.COM FOR LATEST PART INFORMATION

Part Number: [0357253910](#)
Status: **Active**
Description: Quick Disconnect, Female, Piggyback Type, for 14-18 AWG (2.00-0.80mm²), Metal Strip, Tab 6.35 by 0.81mm (.250 by .032"), Post Tin Plating

Documents:

[Drawing \(PDF\)](#) [RoHS Certificate of Compliance \(PDF\)](#)
[Product Specification PS-35725-003 \(PDF\)](#)

Agency Certification

UL E92853

General

Product Family Quick Disconnects
 Series [35725](#)
 Crimp Quality Equipment Yes
 Product Name N/A
 Type Quick Disconnect

Physical

Barrel Type Open
 Gender Female
 Glow-Wire Compliant No
 Insulation None
 Lock to Mating Part None
 Material - Metal Brass
 Orientation Piggyback
 Packaging Type Reel
 Polarized to Mating Part No
 Tab Thickness 0.81mm (.032")
 Tab Width 6.35mm (.250")
 Temperature Range - Operating -40°C to +85°C
 Wire Insulation Diameter 3.60mm (.142") max.
 Wire Size AWG 14, 16, 18
 Wire Size mm² 0.80 - 2.00

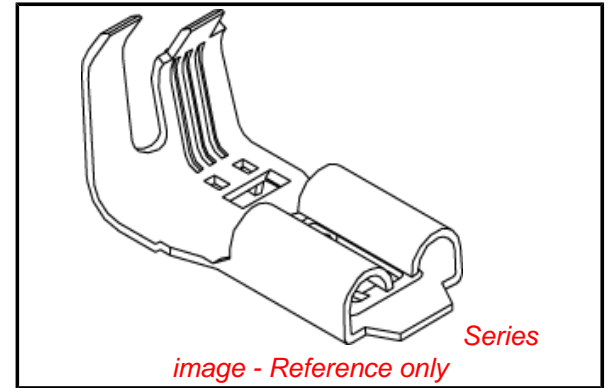
Electrical

Voltage - Maximum N/A

Material Info

Reference - Drawing Numbers

Product Specification PS-35725-003
 Sales Drawing SD-35725-*910



EU RoHS

ELV and RoHS Compliant
REACH SVHC Contains SVHC: No
Halogen-Free Status

China RoHS



Need more information on product environmental compliance?

Email productcompliance@molex.com
 For a multiple part number RoHS Certificate of Compliance, [click here](#)

Please visit the [Contact Us](#) section for any non-product compliance questions.

Search Parts in this Series
[35725Series](#)

Use With
 6.35mm (.250") Tab

DO NOT SCALE DRAWING DIMENSION IN METRIC

DWG. NO. SD 35725-*910

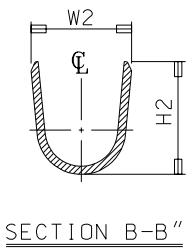
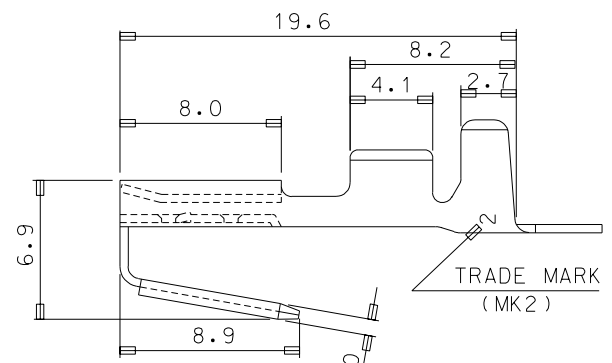
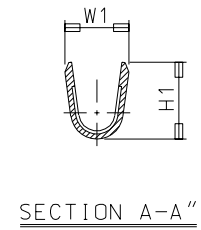
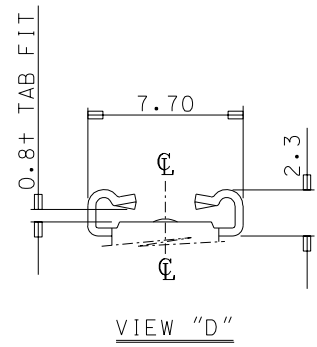
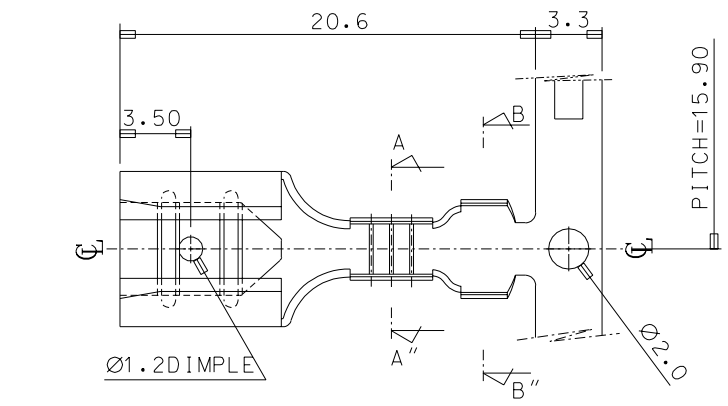
SIMILAR ITEM

PROJECT NO.

C

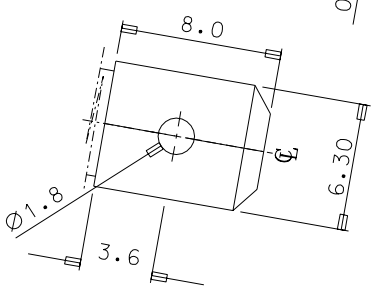
B

8 7 6 5 4 3 2 1



NOTES

1. MATERIAL : BRASS 0.40±0.03 THK'
2. FINISH : POST-TIN PLATING
3. RECOMMENDED LENGTH OF WIRE STRIP IS 5.3-5.8



MATERIAL NO.	PART NO.	W1	H1	W2	H2	WIRE	INSUL.DIA.
357253910	35725-3910	3.1	3.8	4.9	5.6	AWG# 18-14	MAX.Ø3.6
357254910	35725-4910			6.5	6.35		
357255910	35725-5910	4.0	4.2			AWG#12	MAX.Ø4.6

REVISED EC NO. KDR2003-0216 DRWN: W.Y.YANG 03/02/22 CHK: W.Y.YANG APPR: C.W.LEE	DESCRIPTION MAJOR ▲ = 0 CRITICAL ▼ = 0	QUALITY SYMBOLS		GENERAL TOLERANCES: (UNLESS SPECIFIED)	SCALE 4:1	DESIGN UNITS <input checked="" type="checkbox"/> mm <input type="checkbox"/> INCH	THIRD ANGLE PROJECTION	DIMENSIONS: <input type="checkbox"/> mm <input type="checkbox"/> INCH <input checked="" type="checkbox"/> mm ONLY	SHT	REV	
		4 PLACES	±.	mm	INCH	±.	±.	DRAWN BY & DATE W.Y.YANG 93/06/26			
		3 PLACES	±0.	±.	±.	±.	±.	CHECKED BY & DATE B.K.CHOI 93/06/26			
		2 PLACES	±0.30	±.	±.	±.	±.	APPROVED BY & DATE C.W.LEE 93/06/26			
1 PLACE	±0.20	±.	±.	±.	±.	TITLE: .250 PIGGY BACK					
ANGULAR: ± 1°		CAD FILENAME S7255910.DGN		MATERIAL NO. SEE TABLE	DRAWING NO. SD-35725-*910		SHEET NO. 1 OF 1		MOLEX INCORPORATED		
DRAFT WHERE APPLICABLE MUST REMAIN WITHIN DIMENSIONS		THIS DRAWING CONTAINS INFORMATION THAT IS PROPRIETARY TO MOLEX INCORPORATED AND SHOULD NOT BE USED WITHOUT WRITTEN PERMISSION.						SIZE B		MX-A3	